



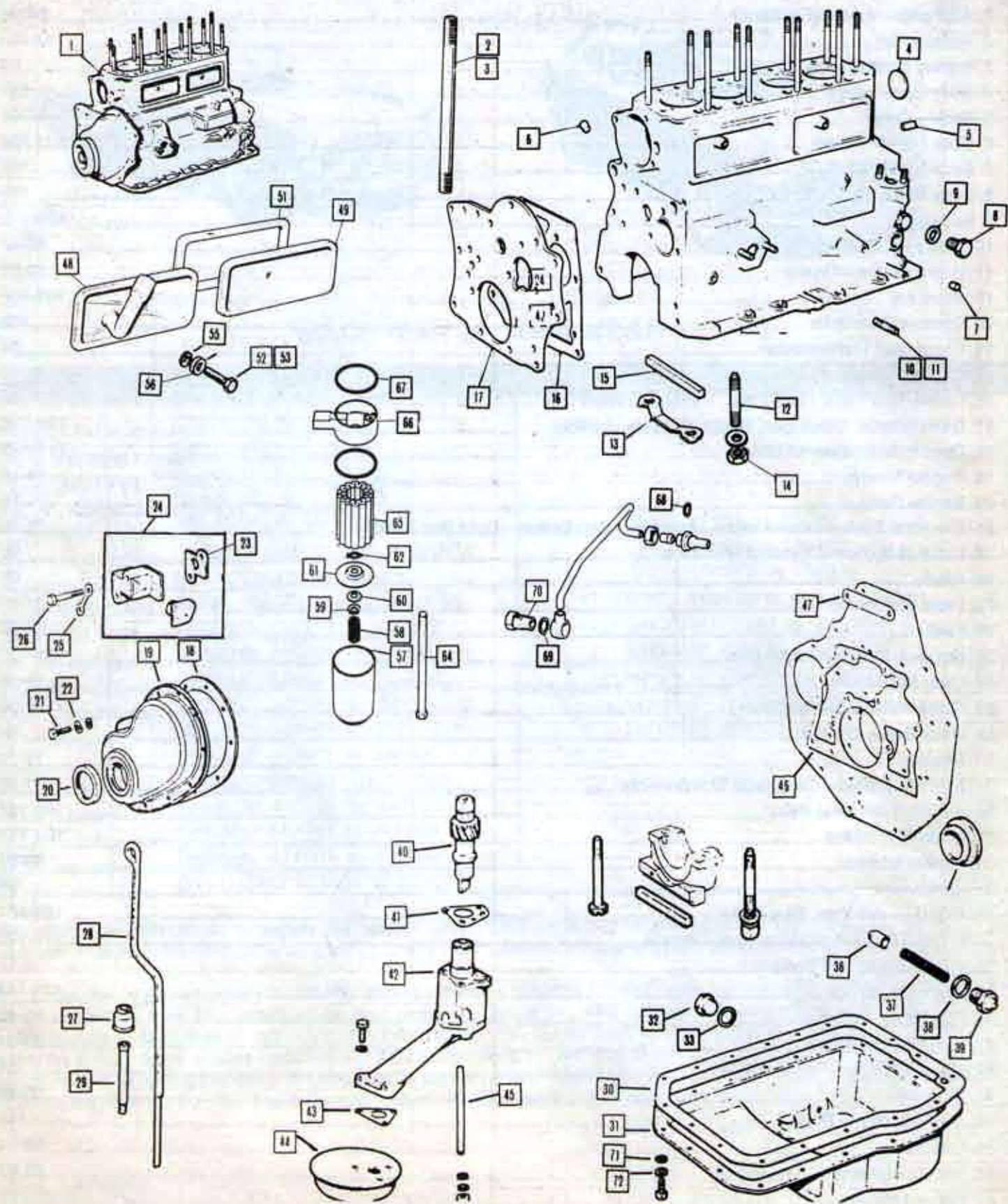
# Catalog of Parts & Accessories 2012

## Table of Contents

Engine Parts .....	1-10
Engine Mounts .....	11-12
Gear Box Mounts .....	13-16
Oil Coolers (Oil Coolers & Pipes) .....	17
Clutch, Driveshaft & Miscellaneous Components .....	18
Transmission .....	19-24
Driveline (Rear Axle) .....	25-32
Driveline (Road Wheels, Tools etc.) .....	33-34
Steering (Rack & Pinion, Columns, Steering Wheels etc.) .....	35-36
Suspension (Front Suspension) .....	37-40
Suspension (Rear Suspension) .....	41-42
Clutch Hydraulics (Clutch Master Cylinder, Slave Cylinder & Components) .....	43-44
Brakes (Brake Hydraulics) .....	45-48
Brakes (Front & Rear Brake Rotors, Drums & Components) .....	49-50
Brakes (Handbrake) .....	51
Brakes (Cables – Choke & Accelerator, Pedal Pads etc.) .....	52
Fuel System (Tanks, Pumps, Gas Caps & Various Components) .....	53-54
Fuel System (Pipes, Fittings, Hoses & Various Components) .....	55-56
Fuel System (Intake Manifolds & Components) .....	57-58
Fuel System (Intake Manifolds, Carburettors & Components) .....	59-60
Fuel System (Carburettors & Components) .....	61-62
Emission Control (Air Pump, Valves & Miscellaneous Emission Components) .....	63-66
Filters .....	67
Exhaust .....	68
Cooling System .....	69-70
Heating System .....	71-72
Electrical System .....	73-94
Body (Outer Body Panels – 1962-80) .....	95-98
Body (Bodyshell & Panels – 1962-80) .....	99-102
Body (Repair Panels – 1962-80) .....	103-104
Body (Chrome Trim, Grills etc.) .....	105-106
Body (Bumpers) .....	107-108
Body (Door, Trunk Locks Handles etc. – 1962-80) .....	109-110
Body (Door Pulls, Emblems, Mirrors etc.) .....	111-112
Body (Glass, Rubber Seals, Chrome Mouldings etc.) .....	113-116
Body (Glass, Rubber Seals, Chrome Mouldings etc. <b>MGB-GT Only</b> ) .....	117-120
Body (Interior Trim, Seat Belts etc.) .....	121-122
Body (Interior Trim, Seat Belts etc. <b>MGB-GT Only</b> ) .....	123-124
Body (Convertible Tops, Hardtops, Tonneau Covers etc.) .....	125-128
Body (Dashboards, Glovebox & Radio Console) .....	129-130
Body (Gauges, Cables & Carpet Kits) .....	131-132
Interior (Trim Panels & Kits) .....	133-134
Interior (Seat Cover – Headrests & Assorted Trim) .....	135-136
Body (Grommets etc.) .....	137
Quick Reference (Rubber Seals – <b>Roadster</b> ) .....	138
Quick Reference (Rubber Seals – <b>GT</b> ) .....	139



## MGB



## MGB

## 1800 c.c. 3 MAIN BEARING 18G &amp; 18A ENGINE NUMBERS

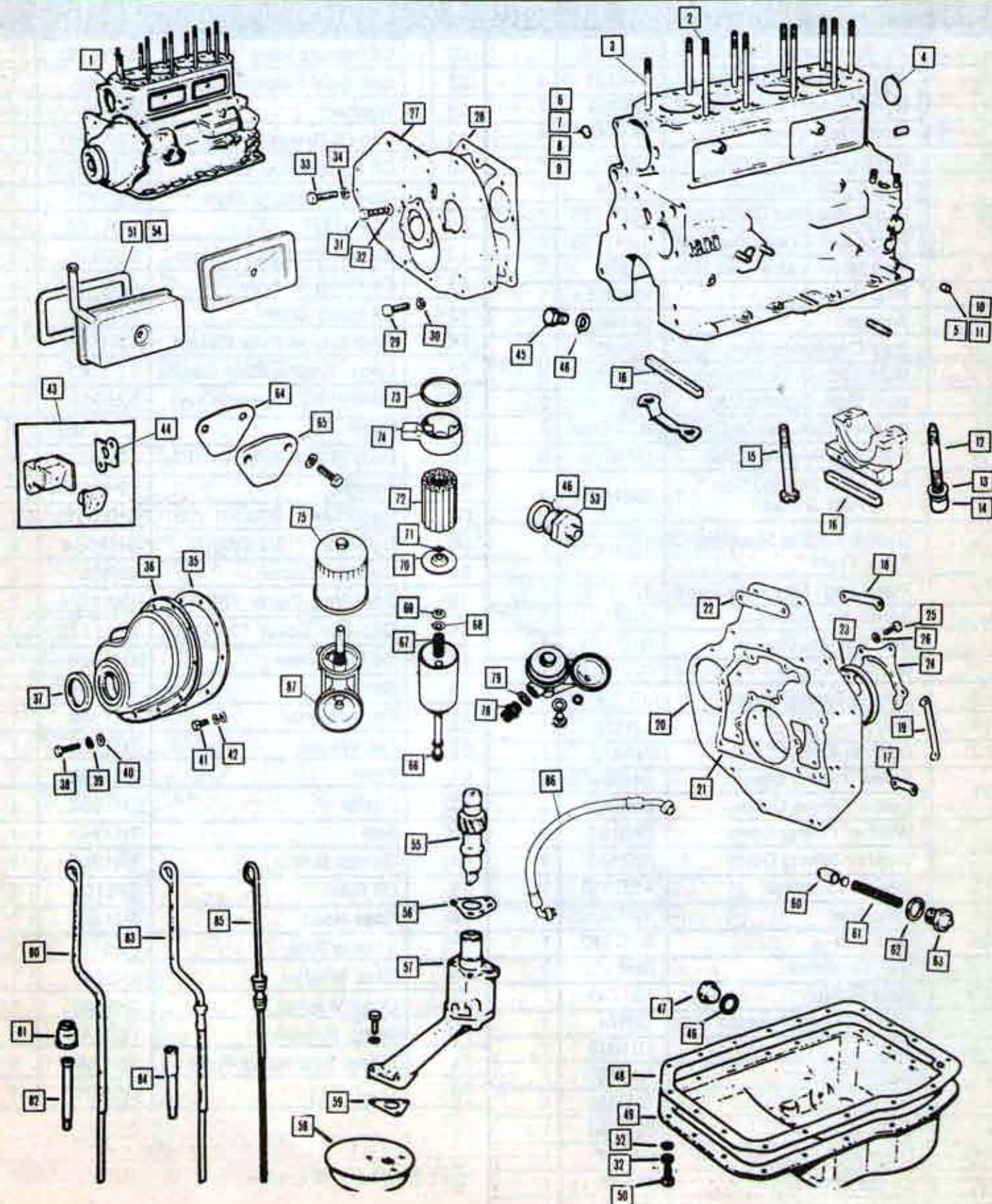
Ill No.	Description	Part #	Qty.	Ill No.	Description	Part #	Qty.
1	Re-conditioned Engine	48G279	1	36	Oil Release Valve	12H865	1
2	Stud Cylinder Head (Long)	51K281	4	37	Spring-Oil Release Valve	1H756	1
3	Stud Cylinder Head (Short)	51K282	7	38	Washer	6K431	2
4	Plug Welch Large	2K8169	4	39	Cap-Oil Release Valve	12A1851	1
5	Dowel Gearbox Plate	1K51	2	40	Oil Pump Drive Spindle	CAM1039	1
6	Plug Chain Tensioner	11G14	1	41	Gasket-Pump to Block	88G420	1
	Plug Crankcase Oil Gallery	12H1735	2	42	Oil Pump	POL703	1
	Plug Taper Crankcase Hole	12H1736	2	43	Gasket-Strainer to Pump	88G421	1
7	Plug Relief Valve Vent Hole	6K899	1	44	Oil Pump Strainer	JAM2227	1
8	Plug Oil Hole	53K2853	1	45	Oil Pump Stud	51K267	3
9	Washer	6K638	1	46	Rear Engine Plate Gasket	12H768	1
10	Stud Crankcase Vent Pipe	53K257	2	47	Upper Engine Plate Gasket	12H762	1
11	Stud Tach Drive Housing	53K2171	2	48	Plate (18G Engines Only)	12A950	1
12	Stud Main Bearing Cap	51K1482	2	49	Plate	12A1386	1
13	Washer Main Bearing Cap	ACA5521	6	50	Plate (18GA Engines Only)	12H3001	1
14	Nut Main Bearing Cap	LNN208	6	51	Gasket	12A1139	2
15	Seal Main Bearing Cap (Front & Rear)	12H1638	2	52	Bolt-Plate (18GA101 on)	BH605181	1
				53	Bolt-Plate (18G Only)	GHF104	2
16	Gasket Engine Mounting Plate Front	12H1576	1	54	Copper Washer	12B63	2
17	Plate Eng. Mounting Front	12H1386	1	55	Seal (for Cover 12A1386)	12A1176	2
Not Shown	Screw For Above	GHF120	3	56	Cup (for Cover 12A1386)	12A1177	2
	Bolt For Above	GHF103	1	57	Oil Filter Bowl	1H1069	1
	Nut For Above	GHF201	1	58	Spring	7H1764	1
18	Gasket Timing Cover	TJR224	1	59	Steel Washer	7H1969	1
19	Cover	12H3317	1	60	Felt Washer	7H1968	1
20	Seal Oil Timing Cover	TNA473	1	61	Plate	17H846	1
21	Screw Timing Cover	SH604031	3	62	Circlip	7H1952	1
	Screw Timing Cover	GHF120	4	63	Seal	7H1948	1
22	Washer Timing Cover	2K5197	4	64	Center Bolt	7H1965	1
	Washer Timing Cover	2K7440	4	65	Oil Filter	F4610	1
23	Gasket Tensioner	AEC339	1	66	Filter Head	8G740	1
24	Tensioner	12H3292	1	67	Sealing Ring	8G619	1
25	Lock Tab	AEC340	1	68	Inner Washer	6K501*	1
26	Bolt Tensioner	GHF102	2	69	Outer Washer	1H898*	1
27	Boot Rubber	1B1735	1	70	Bsnjo Bolt-Union	1K2142*	1
28	Rod Oil Level Indicator	12H74	1	71	Screw Strainer to Pump	SH604071	3
29	Tube	1B1063	1	72	Washer	LWN304	3
30	Gasket-Oil Pan	AJM503	1				
31	Oil Pan	12H395	1				
32	Drain Plug	88G257	1				
33	Drain Plug Washer	6K638	1				
34	Oil Gauge Pipe Union	11G15	1				
35	Washer	6K638	1				

\*On Cars without Oil Coolers.



# ENGINE

## MGB



# ENGINE

## MGB

### 1800 c.c. ENGINE 5 MAIN BEARING 18GB TO 18V MODELS

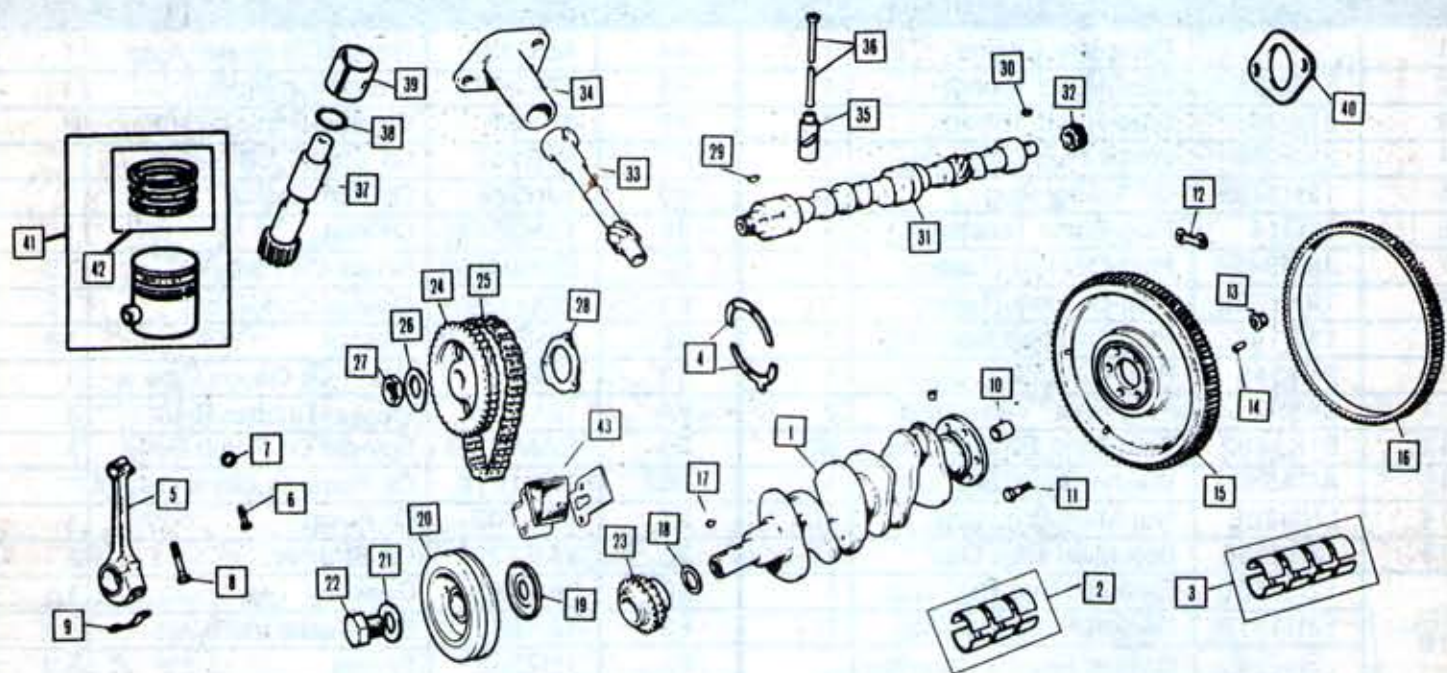
Ill No.	Part No.	Description	Qty.	Ill No.	Part No.	Description	Qty.
1	---	Complete Engine	1	44	AEC339	Gasket-Tensioner Assy.	1
2	51K281	Stud-Head (Long)	4	45	53K2853	Drain Plug-Block	1
3	51K282	Stud-Head (Short)	7	46	6K638	Washer-Drain & Oil Plug	2
4	2K8169	Welch Plug Large	4	47	88G257	Oil Drain Plug	1
5	12H1735	Oil Gallery Plug	4	48	TJH396	Oil Pan Gasket	1
6	11G14	Plug-Chain Tensioner	1	49	12H3541	Oil Pan	1
7	JAM3468	Plug-Oil Hole (Taper)	1	50	SH604041	Screw-Oil Pan	18
8	12H1736	Plug-Oil Hole (Taper)	1	51	12A1139	Gasket-Cork-Front	18
9	11G14	Plug-Oil Feed Main Brg.	2	52	GHF300	Washer	18
10	2K1345	Plug-Oil Drilling Crank	1	53	11G15	Union-Oil Gauge Pipe	1
11	6K899	Plug-Relief Valve Hole	2	54	12A1175	Gasket-Rubber-Rear	1
12	51K1482	Stud-Main Bearing Cap	10	55	CAM1039	Spindle-Oil Pump Drive	1
13	ACA5521	Washer-Main Brg. Cap	10	56	12H1018	Oil Pump to Block Gasket	1
14	LNN208	Nut-Main Brg. Cap	10	57	POL702	Oil Pump	1
15	12B2356	Bolt-Main Brg. Cap	10	58	JAM2227	Oil Strainer	1
16	12H1638	Gasket-Front Brg. Cap	1	59	88G421	Gasket	1
	12H1476	Gasket-Rear Brg. Cap	1	60	12H865	Oil Release Valve	1
	12H1476	Gasket Front & Rear Brg. Cap (Bolt Fitting Models)	2	61	1H756	Spring	1
17	2K6059	Locking Plate	1	62	6K431	Copper Washer	1
18	1H1021	Locking Plate	1	63	12A1851	Cap	1
19	1H1020	Locking Plate	1	64	2A113	Gasket-Fuel Pump Plate*	1
20	12H2189	Rear Engine Plate	1	65	2A265	Fuel Pump Blank.. Plate*	1
21	12H768	Gasket	1	66	7H1965	Center Bolt	1
22	17H762	Gasket	1	67	7H1764	Spring	1
23	TNB123	Oil Seal-Crank	1	68	7H1969	Washer-Steel	1
24	12H1547	Locking Plate	1	69	7H1968	Washer-Felt	1
25	SH606071	Screw	8	70	17H942	Plate	1
26	GHF333	Washer	8	71	7H1952	Clip	1
27	12H3583	Front Mounting Plate	1	72	WA712	Oil Filter-Bottom Loaded	1
28	12H1576	Front Engine Gasket	1	73	8G619	"O" Ring for Filter Head	1
29	GHF120	Screw	3	74	12H3273	Filter Head	1
30	LWN305	Washer	3	75	F5534	Oil FilterSpin-On Top	1
31	GHF117	Screw-Camshaft Plate	3	76	BH508241	Bolt-Filter Head to Block	1
32	GHF321	Lock Washer	3	77	3H693	Copper Washer	1
33	SH605071	Screw-for Eng. Plate	2	78	AHH6701	Adaptor on Filter Head	1
34	GHF332	Washer	2	79	6K501	Washer	1
35	TJR224	Gasket-Timing Case	1	80	12H74	Dip Stick-(18GB/GD/GF)	1
36	CAM1393	Timing Cover	1	81	1B1735	Gaiter-DipStick	1
37	TNA473	Oil Seal-Timing Cover	1	82	1B1063	Tube-DipStick	1
38	GHF117	Screw-Cover--Brg. Cap	2	83	12H2964	Dipstick**	1
	GHF120	Screw-Cover to Block	3	84	12H3351	Tube-DipStick***	1
	12H4319	Screw-Cover to Block	1	85	12H3963	DipStick****	1
39	2K5197	Washer-Front Cover	3	86	BHH1809	By-Pass Hose 75-80	1
40	2K7440	Washer-Front Cover	4	87	12H3273	Top Loading Filter Head	1
41	GHF102	Screw	2	---	8G619	Gasket-to Filter Head	1
42	AEC340	Tab Washer	1	*18V Models 101-on **18GG, 18V 581/582/583 to 1972			
43	12H3292	Timing Chain Tensioner	1	***for 12H2964 & 12H3963			
				****18V 581/582/583 1973 on, 18V 779,780,846,847			



# ENGINE

## MGB

### 3-MAIN ENGINE-CRANKSHAFT, RODS, FLYWHEEL, CAM, ECT.

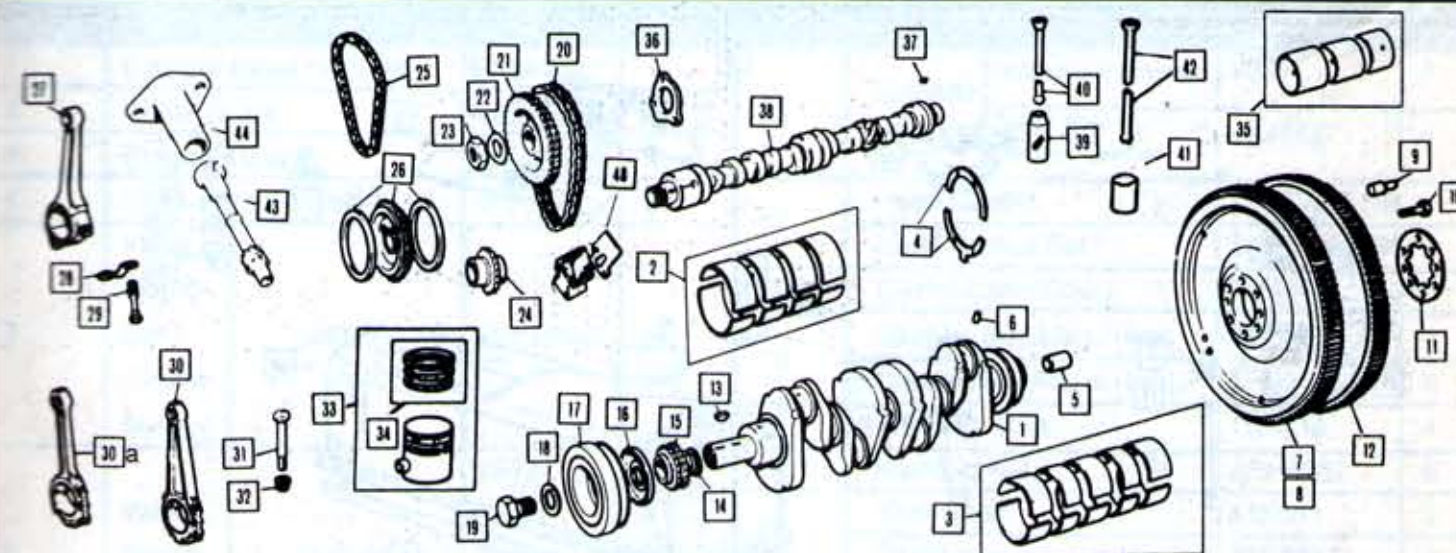


Ill No.	Description	Part #	Qty.	Ill No.	Description	Part #	Qty.
1	Re-ground Crankshaft	12H753	1	23	Crankshaft Gear	12A1553	1
2	Rod Bearing Set	See Page 136		24	Cam Gear	11G203	1
3	Main Bearing Set	See Page 136		25	Timing Chain	3DR52	1
4	Thrust Washer Set	See Page 136		26	Washer	2A759	1
5	Connecting Rod No. 1&3	12H998	2	27	Nut	6K629	1
	Connecting Rod No. 2&4	12H997	2	28	Locating Plate-Camshaft	12H1673	1
6	Bolt-Gudgeon Pin	51K1774	4	29	Key	WKN505	1
7	Lock Washer	LWN305	4	30	Key	WKN304	1
8	Connecting Rod Bolt	12H1000	8	31	Camshaft	88G252	1
9	Locking Tab	6K881	4	32	Tach-Drive Gear	1H730	1
10	Bushing-Crankshaft	1G765	1	33	Distributor Drive Spindle	12G4499	1
11	Flywheel to Crank Bolt	51K1022	6	34	Distributor Housing	1G2285	1
12	Lock Tab-Flywheel	6K26	3	35	Tappet	12H3167	8
13	Crankshaft Bolt Nut	FNZ507	6	36	Push Rod	11G241	8
14	Dowel-Flywheel	1G2984	3	37	Tach-Drive Pinion	1H721	1
15	Flywheel	12H1713	1	38	"O" Ring	1G2398	1
16	Flywheel Ring Gear	D120/10R	1	39	Oil Seal Retaining Ring	1G2399	1
17	Key	2H326	2	40	Gasket	1G2401	1
18	Washer	2K6633	A/R	41	Piston	See Page 137	
19	Thrower	12H775	1	42	Ring Set	See Page 137	
20	Crankshaft Pulley	12H963	1	Head Gasket Set			See Page 136
21	Washer	12A398	1	Conversion Set			See Page 136
22	Bolt	AEA312	1	43	Timing Chain Tensioner	12H3292	1

# ENGINE

## MGB

### 5-MAIN ENG., CRANKSHAFT, RODS, FLYWHEEL, CAM, ECT.

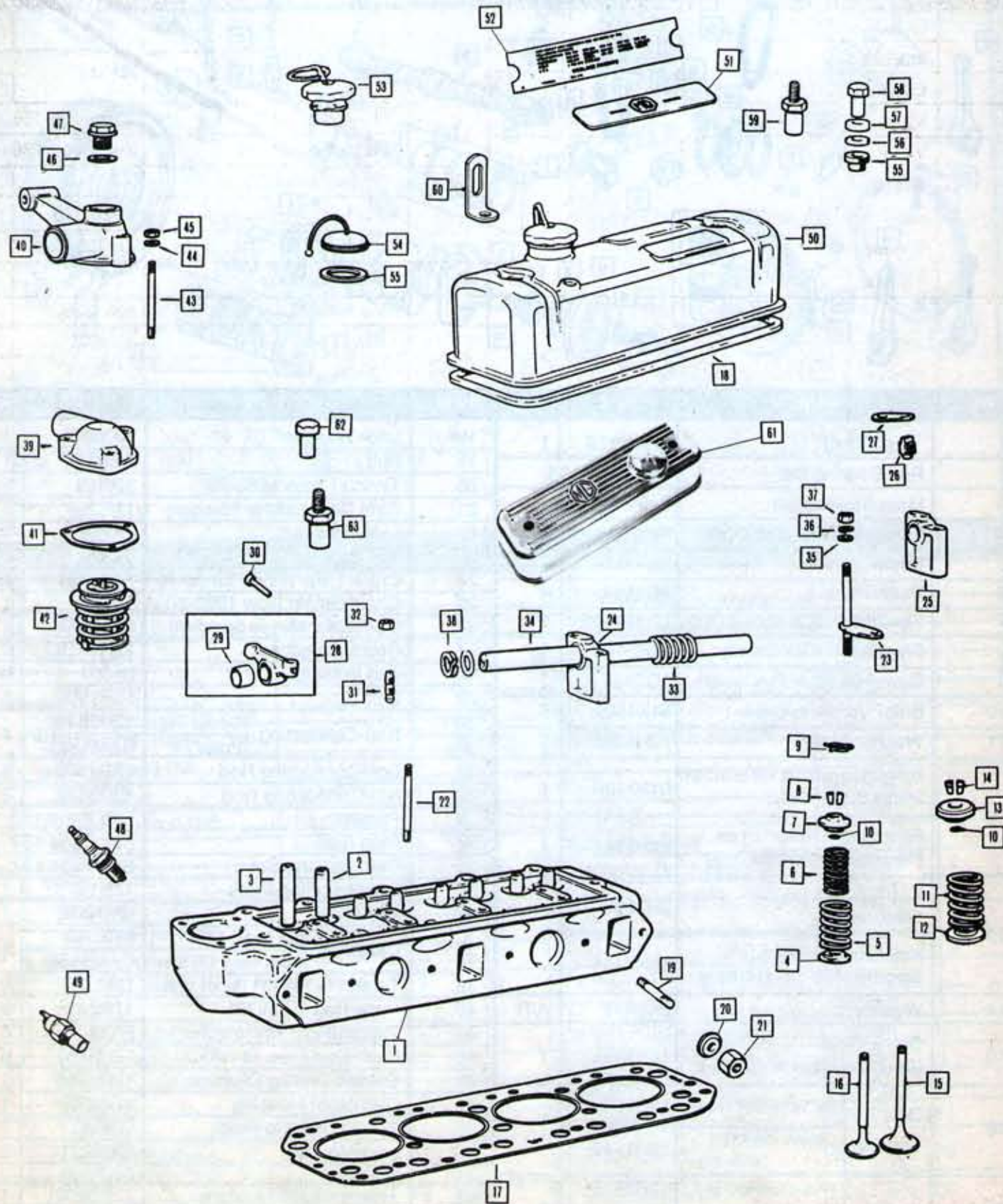


Ill No.	Description	Part #	Qty.	Ill No.	Description	Part #	Qty.
1	Crankshaft	BHM1155	1	18	Lock Washer	2A398	1
2	Rod Bearing Set	See Page 136		19	Bolt	AEA312	1
3	Main Bearing Set	See Page 136		20	Timing Chain 1962-72	3DR52	1
4	Thrust Washer Set	See Page 136		21	Cam Gear (double Sprocket)	11G203	1
5	Bush-Crank	22H1416	1	22	Lock Washer	2A759	1
6	Plug-Crank	1G1167	4	23	Nut-Cam	6K629	1
7	Flywheel (18GB 1001-91200)	12H1474E	1	24	Crank Gear (Single Sprocket)	12H4201	1
8	Flywheel (18GD 101 on)	12H2184	1	25	Chain-Single Row 1973-80	3SR52	1
9	Dowel-Clutch to Flywheel	1G2984	3	26	Cam Gear (Single Sprocket)	CAM5333	1
10	Bolt-Flywheel to Crank	51K1809	6	27	Rod-Connecting	12H1019	4
11	Washer Plate	12H1303	1	28	Tab Washer	6K881	4
12	Ring Gear (18GB 101 to 91200 Inertia Starter Only)	D120/10R	1	29	Bolt	12H1000	8
				30	Rod-Connecting	Circlip Type 12H2444*	4
13	Ring Gear (18GD 101 on Pre-engaged Starters Only)	12H2186	1	30a	Rod-Connecting	Press Fit CAM1588**	
13	Key (use with Double Sprocket)	2H326	2	31	Bolt-Connecting Rod	12G1300	8
				32	Nut-Connecting Rod	13H5872	8
14	Washer	2K6633	A/R	33	Pistons	See Page 137	
				34	Ring Set	See Page 137	
15	Crank Gear- (Double Sprcket to 18V Eng)	12A1553	1	35	Cam Bearing Set	See Page 137	
				36	Cam Locating Plate	12H1673	1
16	Oil Thrower	(to 18GB/U/H 18628)	1	37	Key-Cam	WKN505	1
		(from 18GB/U/H 18629 on)		38	Camshaft	- to Sept. 1976 88G303*** - from Sept 1976 on CAM1156	1
17	Pulley	(Pre-electric Fan)	1	39	Tappet-to 18V101 (long) slotted	12H3167	8
		(Electric Fan)		40	Push Rod to 18V101	11G241	8
16	Oil Thrower	12H775	1	41	Tappet-From 18V101(Short)	2A13	8
				42	Push Rod From 18V101	12H3357	8
				43	Spindle Driving Distributor	12G4499	1
				44	Distributor Housing	1G2285	1
				45	Bolt-Housing to Block	GHF117	2
				46	Lock Washer	GHF331	2
				47	Washer	GHF300	2
				48	Timing Chain Tensioner	12H3292	1

\*This connecting rod has small end bushing for circlip type piston.  
 \*\*No Small End Bushing in rod for press in type piston.  
 \*\*\* Also available reground Part No. 88G303E.



MGB



MGB

CYLINDER HEAD AND ROCKER ASSY. 3 & 5 MAIN BEARING ENG.

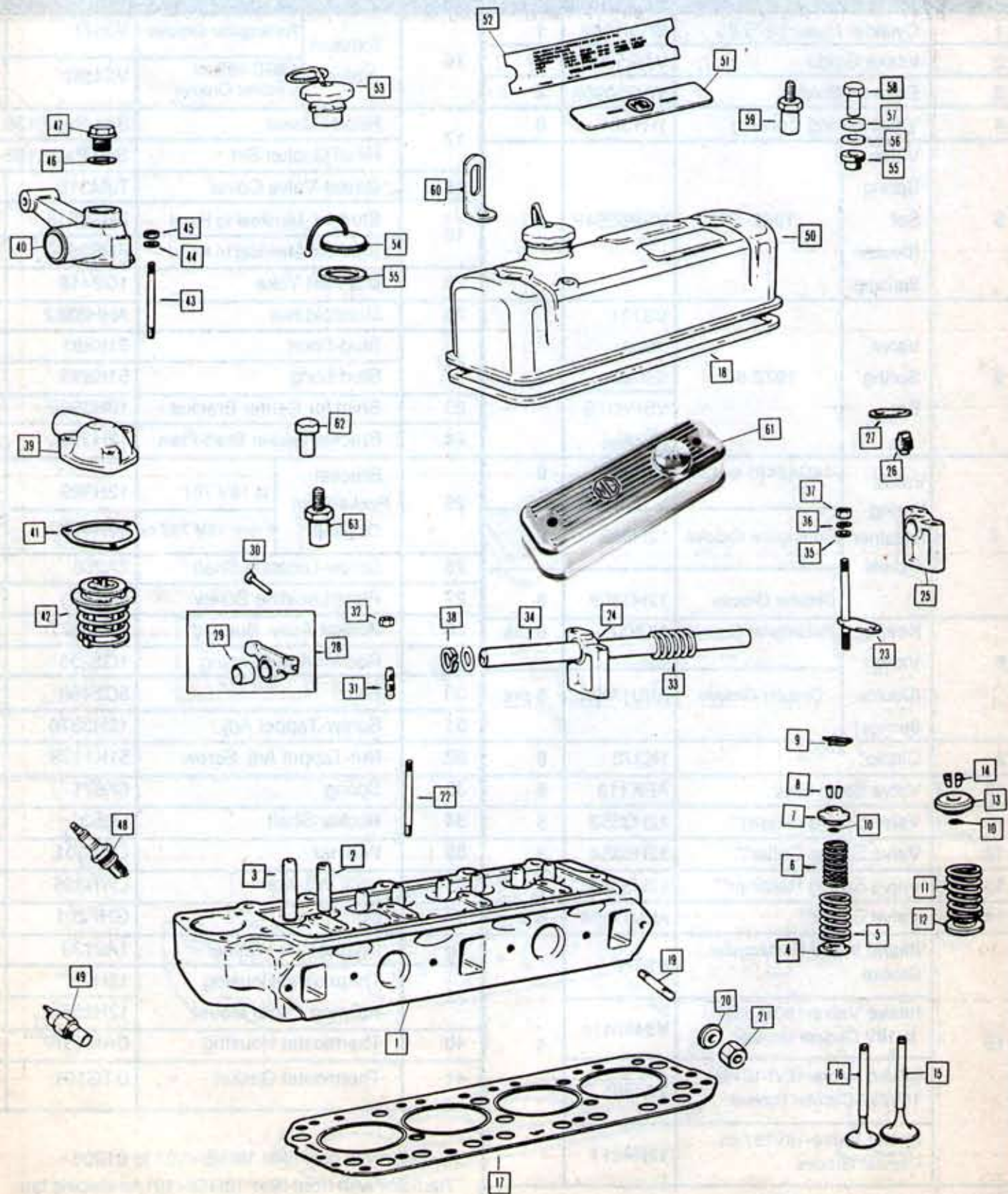
No.	Description	Part #	Qty.	Ill No.	Description	Part #	Qty.		
1	Cylinder Head 1975-80	BHM1062	1	16	Exhaust Valve	Retangular Groove	V3571	4	
2	Intake Guide	VAG50963	4			18GD 836 on Circular Groove	V34352	4	
3	Exhaust Guide	VAG50909	4						
4	Valve Spring Collar	1H1321	8	17	Head Gasket		See Page 136		
5	Valve Spring Set (Double Springs)	1962-71	VSP5054P		1	Head Gasket Set		See Page 136	
				18		Gaslet-Valve Cover	TJM315	1	
				19		Stud-Int. Manifold to Head	FHS2515	4	
						Stud-Ex. Manifold to Head	FHS2515	2	
20	Manifold Yoke	1G2418	4						
6	Valve Spring Set	1972-80	VS721 (Single Spring)	1	21	Manifold Nut	AHH8382	6	
					22	Stud-Short	51K881	2	
		22	Stud-Long		51K893	2			
		23	Shim for Center Bracket		12H3960	2			
24	Bracket-Rocker Shaft-Plain	12H390	3						
7	Valve Spring Retainer (Double)	18G/U/101 to 4384	1H1319	8	25	Bracket-Rocker Shaft Oil Feed	to 18V 797	12H389	1
		Retangular Groove	12H992	8			From 18V 797 on	12H4737	
		Circular Groove	12H3309	8	26	Screw-Locating Shaft	2A258	1	
8	Keeper Valve (Double Springs)	Retangular Groove	1K800	8 prs.	27	Plate-Locating Screw	2A259	1	
		Circular Groove	AHU1709A	8 prs.	28	Rocker Assy. Bushed	12H3377	8	
					29	Rocker Arm Bushing	1G2295	8	
					30	Rivet	5C2486	8	
9	Circlip*	1K372	8	31	Screw-Tappet Adj.	12H3376	8		
10	Valve Stem Seal	AEK113	8	32	Nut-Tappet Adj. Screw	51K1178	8		
11	Valve Spring (Single)**	12H3352	8	33	Spring	6K871	8		
12	Valve Spring Collar**	12H3354	8	34	Rocker Shaft	LRS3	1		
13	Valve Spring Retainer**	12H3353	8	35	Washer	GHF301	3		
14	Valve Cotter**	AHU1709A	8 prs.	36	Lock Washer	LWN305	4		
15	Intake Valve-Rectangular Groove	V3570	4	37	Nut	GHF201	4		
	Intake Valve-18GD 836 to 18V Circular Groove	V34351			38	Double Coil Washer	1A2139	2	
	Intake Valve-18V/-101 to 18V797 Circular Groove	V34401			39	Thermostat Housing w/Smog Pump Mount	12H797* 12H2556**	1	
	Intake Valve-18V797 on Circular Groove	12H4211			40	Thermostat Housing	CAM1577***	1	
				41	Thermostat Gasket	GTG101	1		

\*Radiator with rear filler 18GB/-/101 to 91200  
 \*\*Radiator with front filler 18GD/-/101 to electric fan.  
 \*\*\*Electric fan

\*Double Springs-Circular Groove  
 \*\*Single Springs-Circular Groove 18V 101 on



MGB



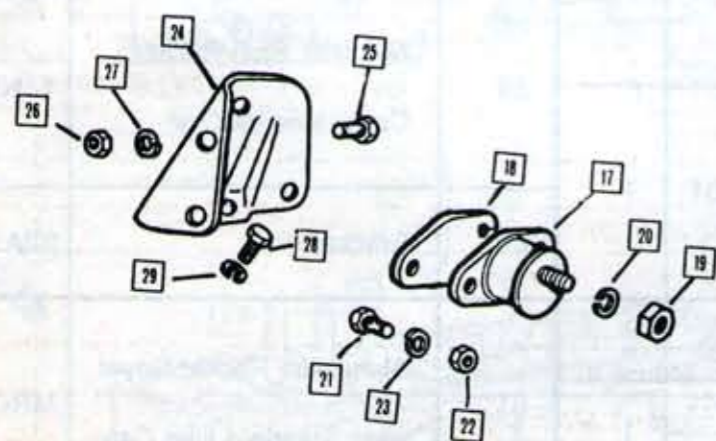
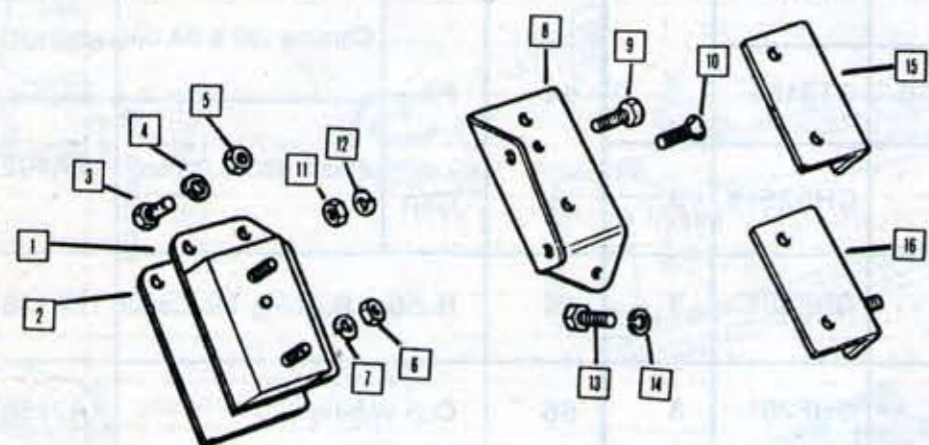
MGB

CYLINDER HEAD AND ROCKER ASSY. 3 & 5 MAIN BEARING ENG.

Ill No.	Description	Part #	Qty.	Ill No.	Description	Part #	Qty.	
		74°C	GTS102		53	Oil Filler Cap	GFE6003	1
42	Thermostat	82°C	GTS104	1	54	Oil Filler Cap	8G612C	1
		88°C	GTS106					
43	Stud-Thermo Housing	CHS2515	3					
44	Washer	GHF301	3	55	Rubber Bushing for Cover	12A1358	2	
45	Nut	GHF201	3	56	Cup Washer	1A2156	2	
46	"O" Ring	TRS1418	1	57	Spacer	1B2925	2	
47	Thermo-Housing Plug	Plastic Plug	ARA2634	1	58	Nut-Rocker Cover to 18GB	2A150	2
		Brass Plug	KTP9401		59	Nut with Stud-Rocker Cover from 18GD on	12H2557	2
					60	Bracket	12A1963	2
48	Spark Plug	GSP163	4	61	Aluminium Rocker Cover uses Standard filler Cap	MRC001	1	
49	Temp. Sender	to Sept 1976 Sept. 1976 on	GTR104 MTS142					1
50	Rocker Cover	12H1836	1	62	Nut for above to 18GB	2A150A	2	
51	Decal for Cover (MG)	BLM1005S	1	63	Nut with Stud-Rocker Cover from 18GD on	12H2557L	2	
52	Decal for Cover-Weslake	BLM1001S	1					



## MGB



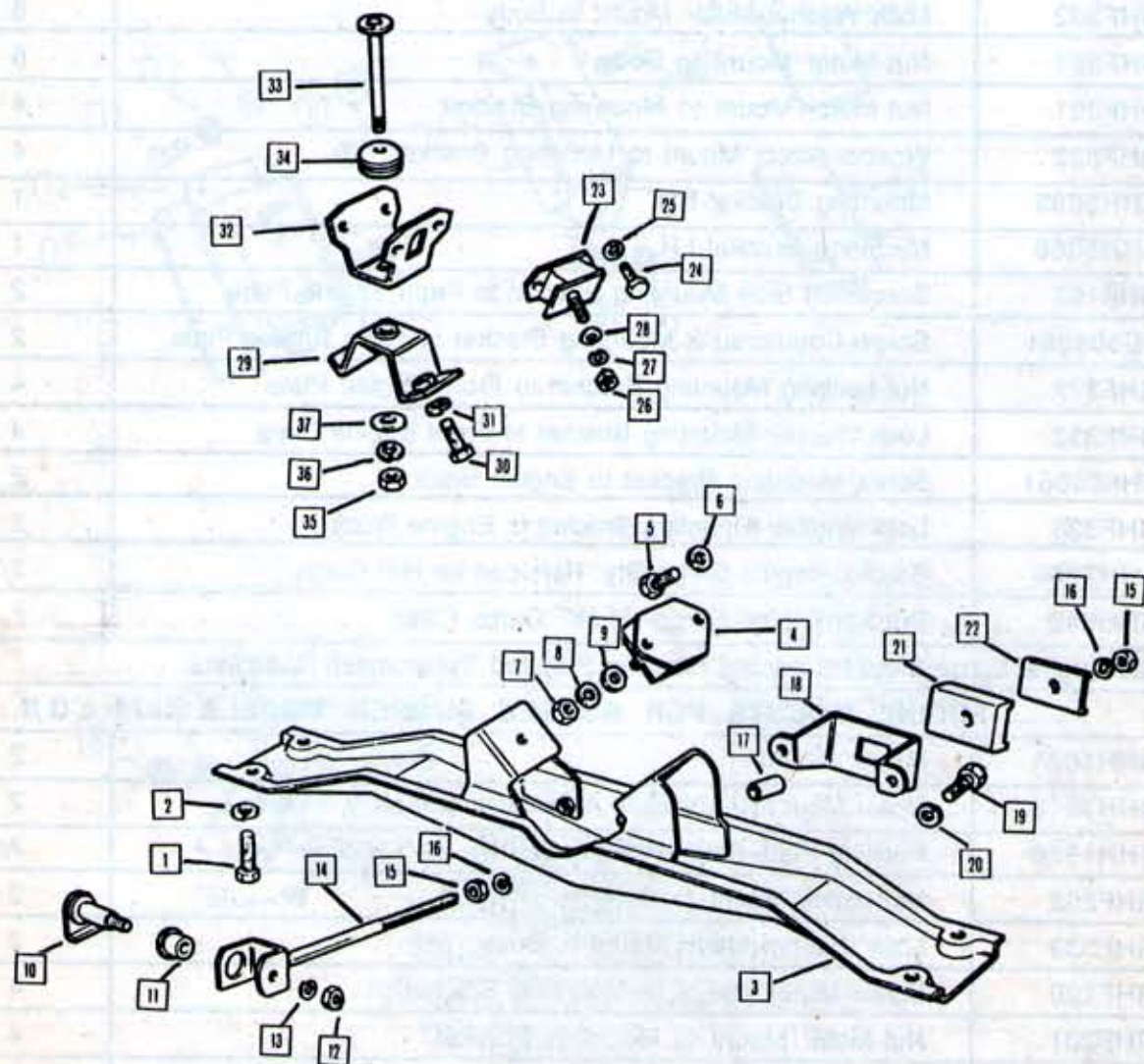
## MGB

## ENGINE MOUNTS &amp; MISCELLANEOUS COMPONENTS

Ill No.	Part No.	Description	Qty Req'd
<b>ENGINE MOUNTS FOR CHROME BUMPER MODELS TO 1974 1/2</b>			
1	EM448	Motor Mount-RH	1
	EM449	Motor Mount-LH	1
2	AHH6992	Packing Plate-Start With the One On the LH Side	A/R
3	GHF120	Screw-Motor Mount to Body	8
4	GHF332	Lock Washer-Motor Mount to Body	8
5	GHF201	Nut-Motor Mount to Body	8
6	GHF201	Nut-Motor Mount to Mounting Bracket	4
7	GHF332	Washer-Motor Mount to Mounting Bracket	4
8	AHH5065	Mounting Bracket-RH	1
	AHH5066	Mounting Bracket-LH	1
9	GHF103	Screw-RH Side Mounting Bracket to Front Engine Plate	2
10	SE605081	Screw-Countersunk Mounting Bracket to Front Engine Plate	2
11	GHF272	Nut-Locking Mounting Bracket to Front Engine Plate	4
12	GHF332	Lock Washer-Mounting Bracket to Front Engine Plate	4
13	SH606061	Screw-Mounting Bracket to Engine Block	2
14	GHF333	Lock Washer-Mounting Bracket to Engine Block	2
15	AHH7890	Bracket-Engine Surge-Qty. Reduced for HIF Carbs	2/1
16	BHH640	Bracket-Engine Surge-LH HIF Carbs Fitted	1
<b>Note:</b> These Engine Surge Brackets are not Fitted to 3 Speed Syncromesh-Roadsters			
<b>ENGINE MOUNTS FOR RUBBER BUMPER MODELS 1974 1/2 ON</b>			
17	BHH1621	Motor Mount	2
	BHH1318	Motor Mount-Heavy Duty Alternative use on V-8 Models	2
18	BHH1528	Packing Plate-Start With the One On the LH Side	A/R
19	GHF202	Nut-Motor Mount to Body	2
20	GHF333	Lock Washer-Motor Mount to Body	2
21	GHF120	Screw-Motor Mount to Mounting Bracket	4
22	GHF201	Nut-Motor Mount to Mounting Bracket	4
23	GHF332	Lock Washer-Motor Mount to Mounting Bracket	4
24	BHH1619	Motor Mount Bracket-RH	1
	BHH1620	Motor Mount Bracket-LH	1
25	SH605071	Screw-Mounting Bracket to Front Engine Plate	4
26	GHF201	Nut-Mounting Bracket to Front Engine Plate	4
27	GHF332	Lock Washer-Mounting Bracket to Front Engine Plate	4
28	SH606061	Screw-Mounting Bracket to Engine Block	2
29	GHF333	Lock Washer-Mounting Bracket to Engine Block	2



## MGB



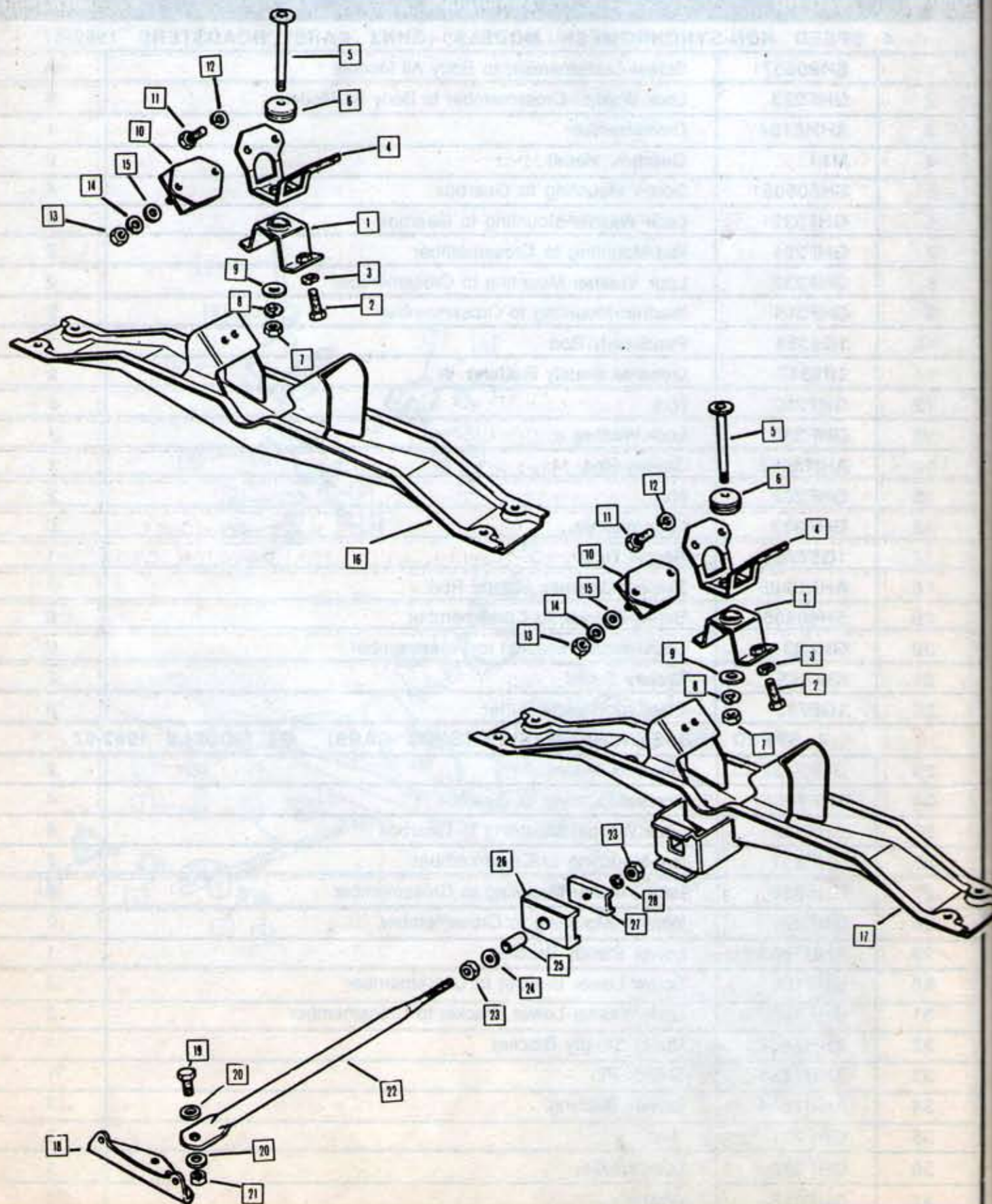
## MGB

## GEARBOX MOUNTS &amp; MISCELLANEOUS COMPONENTS

Ill No.	Part No.	Description	Qty Req'd
<b>4 SPEED NON-SYNCHROMESH MODELS (GHN3 CARS) ROADSTERS 1962-67</b>			
1	SH606071	Screw-Crossmember to Body All Models	4
2	GHF333	Lock Washer-Crossmember to Body All Models	4
3	AHH6134	Crossmember	1
4	M11	Gearbox Mount	2
5	SH505051	Screw-Mounting to Gearbox	4
6	GHF332	Lock Washer-Mounting to Gearbox	4
7	GHF201	Nut-Mounting to Crossmember	2
8	GHF332	Lock Washer-Mounting to Crossmember	2
9	GHF301	Washer-Mounting to Crossmember	2
10	1G9384	Pin-Steady Rod	1
11	1B8347	Gearbox Steady Bushing	2
12	GHF202	Nut	1
13	GHF333	Lock Washer	1
14	AHH6056	Steady Rod	1
15	GHF202	Nut	2
16	GHF333	Lock Washer	2
17	1G8775	Spacer Tube	1
18	AHH6298	Bracket-Gearbox Steady Rod	1
19	SH604051	Screw-Bracket to Crossmember	2
20	GHF331	Lock Washer-Bracket to Crossmember	2
21	IG8781	Steady Buffer	2
22	1G8782	Plate for Steady Buffer	2
<b>4 SPEED NON-SYNCHROMESH (GHD3 CARS) GT MODELS 1962-67</b>			
23	GEX7422	Gearbox Mount	2
24	SH505051	Screw-Mounting to Gearbox	4
25	GHF332	Lock Washer-Mounting to Gearbox	4
26	GHF201	Nut-Mounting to Crossmember	2
27	GHF332	Lock Washer-Mounting to Crossmember	2
28	GHF301	Washer-Mounting to Crossmember	2
29	AHH7853	Lower Steady Bracket	1
30	GHF120	Screw-Lower Bracket to Crossmember	2
31	GHF332	Lock Washer-Lower Bracket to Crossmember	2
32	AHH7852	Upper Steady Bracket	1
33	AHH7855	Steady Pin	1
34	AHH7854	Steady Bushing	2
35	GHF201	Nut	1
36	GHF332	Lock Washer	1
37	GHF315	Washer	1



## MGB



## MGB

## GEARBOX MOUNTS &amp; MISCELLANEOUS COMPONENTS

Ill No.	Part No.	Description	Qty Req'd
<b>ALL 4 SPEED SYNCHROMESH TRANSMISSION CARS</b>			
1	AHH8432	Steady Lower Bracket	1
2	GHF120	Screw	2
3	GHF332	Lock Washer	2
4	AHH8431	Steady Upper Bracket	1
5	AHH7855	Steady Pin	1
6	AHH7854	Steady bushing	2
7	GHF201	Nut	1
8	GHF332	Lock Washer	1
9	GHF315	Washer	1
10	M11	Gearbox Mount	2
11	SH505061	Screw-Mounting to Gearbox	4
12	GHF332	Lock Washer-Mounting to Gearbox	4
13	GHF201	Nut-Mounting to Crossmember	2
14	GHF332	Lock Washer-Mounting to Crossmember	2
15	GHF301	Washer-Mounting to Crossmember	2
16	AHH8430	Gearbox Mounting Crossmember-Chrome Bumper 4-Speed Cars Only	1
<b>RUBBER BUMPER 4 SPEED SYNCHROMESH TRANSMISSION CARS</b>			
17	BHH1543	Gearbox Mounting Crossmember	1
18	BHH1542	Engine Steady Rod Bracket*	1
19	SH605101	Screw	1
20	GHF301	Washer	2
21	GHF222	Lock Nut	1
22	BHH1540	Steady Rod	1
23	GHF202	Nut	2
24	GHF302	Washer	1
25	1G8775	Spacer Tube	1
26	1G8781	Steady Buffer	2
27	1G8782	Steady Buffer Plate	2
28	GHF333	Lock Washer	1

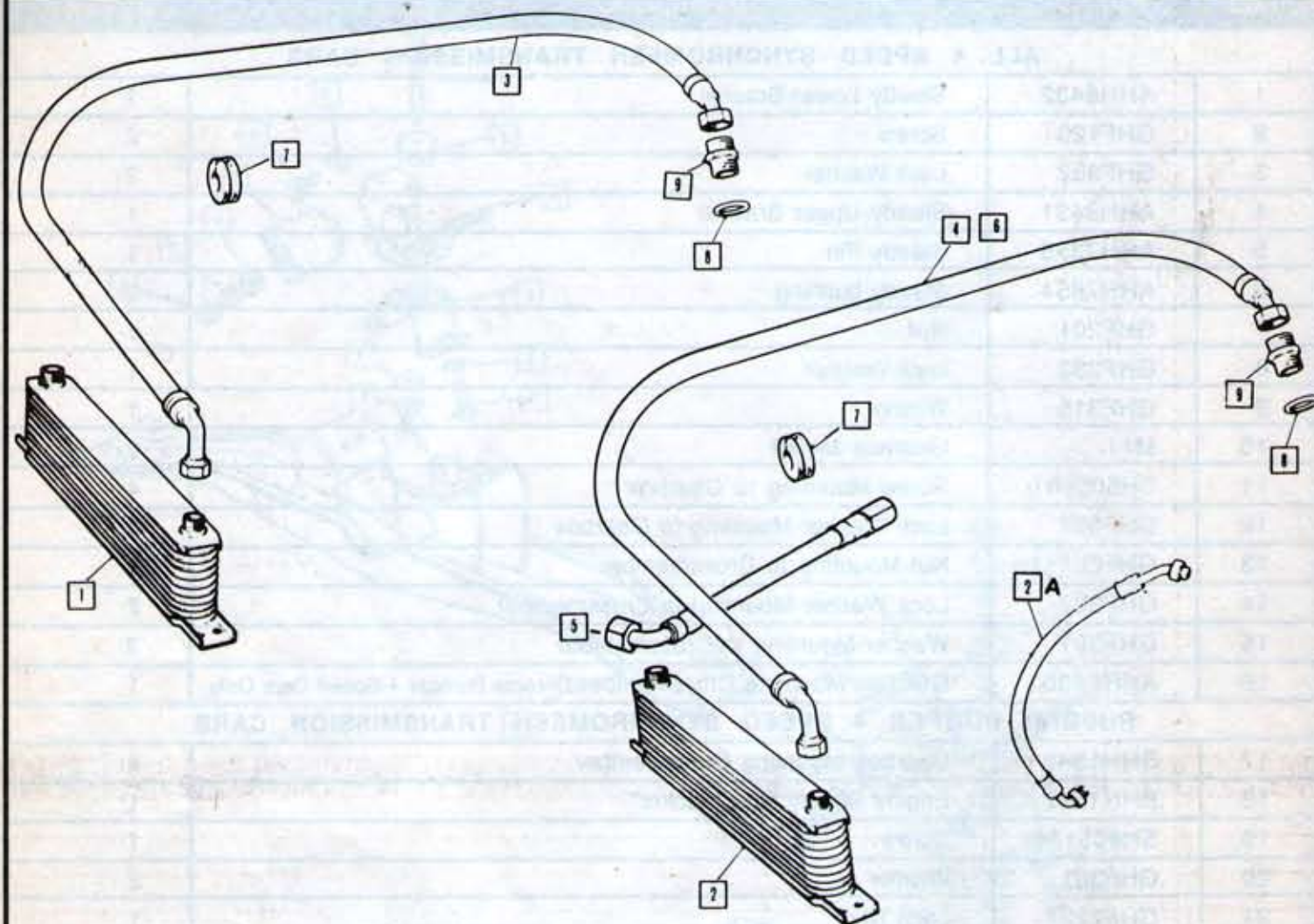
\*Also Mounting for Exhaust.



# OIL COOLERS

## MGB

### OIL COOLER AND PIPES

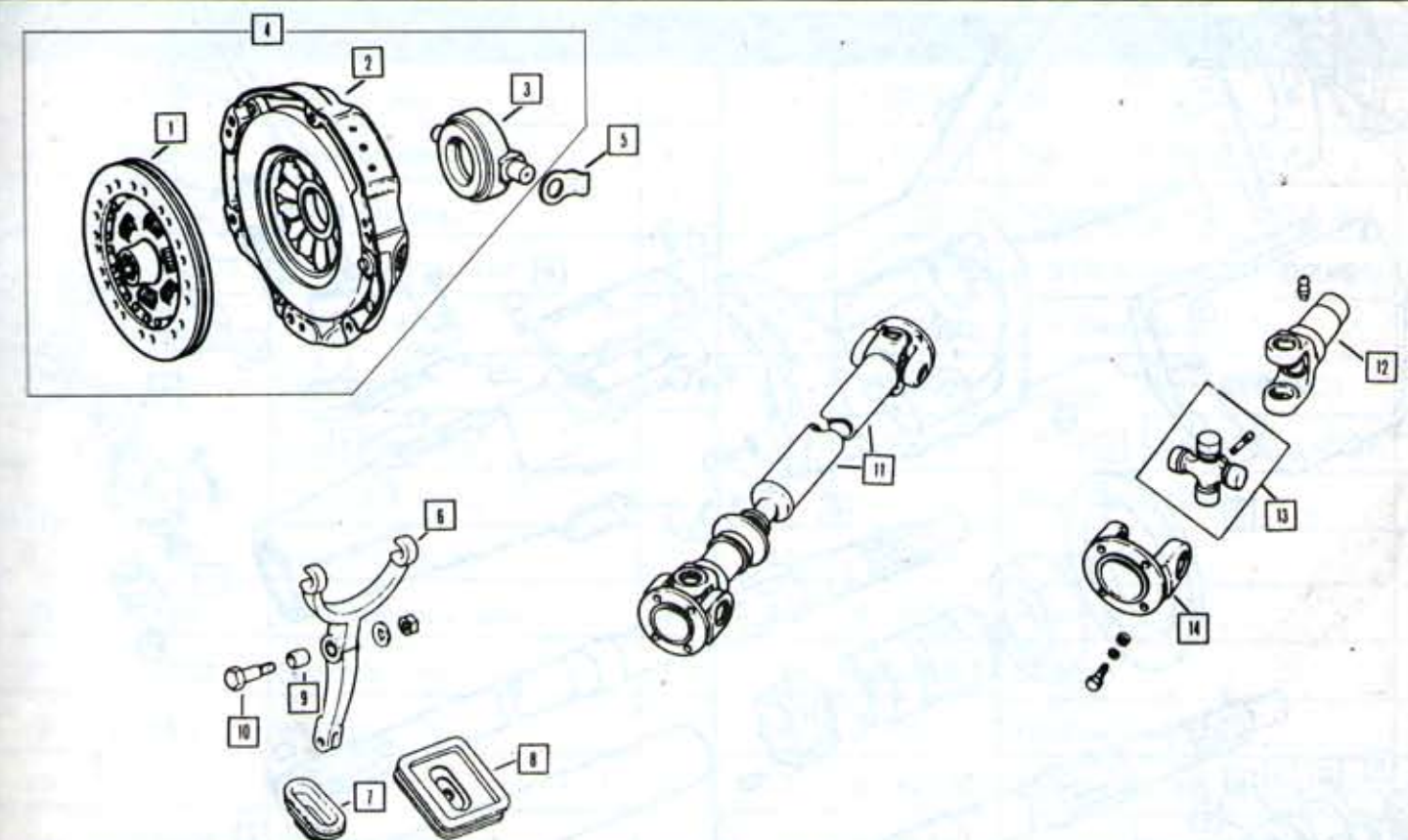


Ill No.	Part No.	Description	Qty.
1	ARO9807	Oil Cooler 10 Row (can be interchanged)	1
2	ARA221		
2A	BHH1809	Bypass Hose 1975-80 Models W/O Oil Cooler	1
3	AHH8192	Pipe from Cooler to Block-Early Models-1962-67	2
4	AHH8537	Pipe from Cooler to Block-Long Hose (Chrome Bumper 1968-74 1/2)	1
5	AHH8536	Pipe from Cooler to Filter-Short Hose (Chrome Bumper 1968-74 1/2)	1
6	BHH1610	Pipe to Cooler (Rubber Bumper Models 1974 1/2-80)	2
7	AHA8401	Grommet	2
8	6K431	Union Washer	1
9	AHH6701	Union Adaptor	1

# CLUTCH AND DRIVESHAFT

## MGB

### CLUTCH, DRIVESHAFT & MISCELLANEOUS COMPONENTS



Ill No.	Part No.	Description	Qty.
1	C838S	Clutch Plate*	1
2	Q10011	Clutch Cover*	1
3	CC252	Throw-Out Bearing*-Carbon Type	1
4	QKT185	Clutch Kit*	1
		Contains items 1,2,3	
1A	MST014	Clutch Plate	1
		Competition/Heavy Duty	
2A	MST015	Clutch Cover	1
		Competition/Heavy Duty	
3A	MST016	Throw-Out Bearing-Ball Race Type	1
		Competition/Heavy Duty	
5	22B66	Throw-Out Bearing Clip	2
6	22B56	Release Arm	1
	22H1056		
		Synchro Gearboxes	
7	22H1337	Gaiter-Release Arm-Oval	1
		Chrome Bump. Models to 1974 1/2	
8	22H1693	Gaiter-Release Arm-Square	1
		Rubber Bump. Models 1974 1/2 on	
9	11G3195	Bushing-Release Arm	1
10	11G3196	Bolt-Release Arm	1
11	AHH7488	Driveshaft-30"-with Banjo Axle	1
	AHH7487	Driveshaft-31 1/8"-with Banjo Axle	
	AHH7487	Driveshaft-31 1/8"-with Tube Axle	
	AHH7486	Driveshaft-32"-with Tube Axle	
		Non-Synchro--Non-O/D Gearbox	
		Non-Synchro--O/D Gearbox	
		All Synchronesh Gearboxes**	
		Non-Synchro--O/D Gearbox	
12	7H3865	Sleeve-Yoke	1
13	QL15002	Universal Joint	2
14	7H3863	Flange-Yoke	2

\*See Page 137 for More Details \*\*Fitted to RD/GT car #138401 on. Also fitted to Non-Synchro Gearboxes without overdrive.

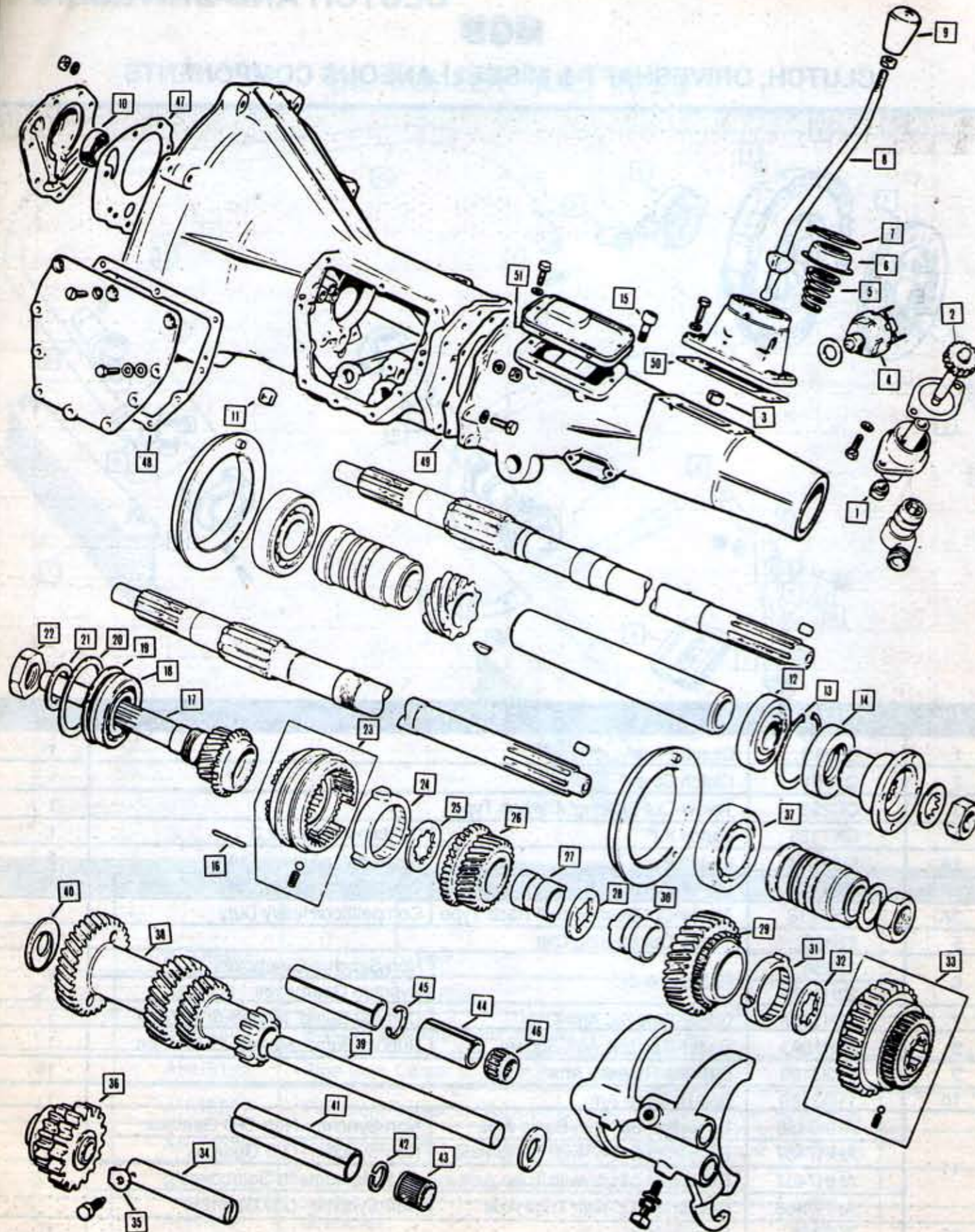


# TRANSMISSION

## MGB

### EARLY NON-SYNCHROMESH GEARBOX 1963-67

ROADSTER TO #138400 GT to #139471

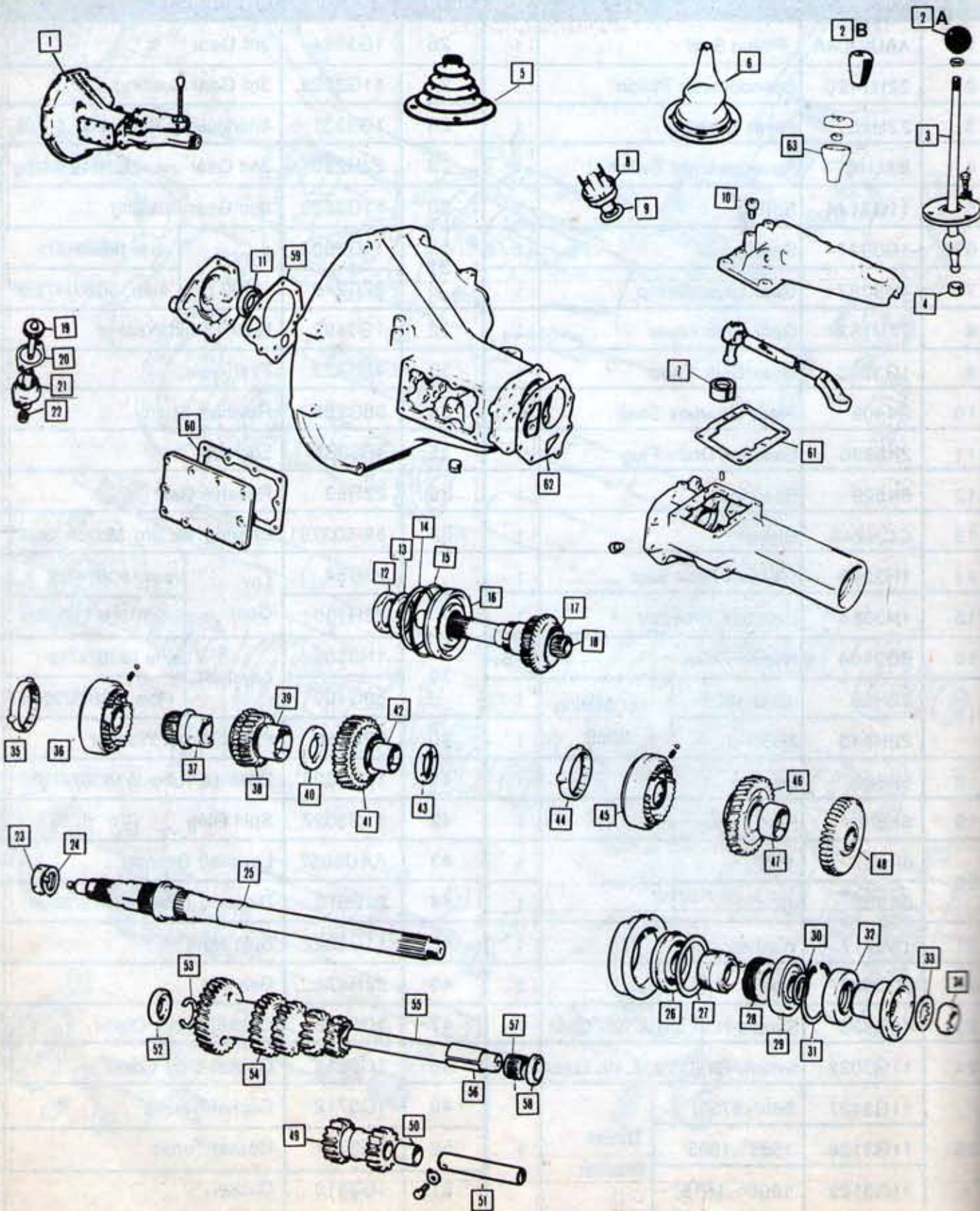


No.	Part No.	Description	Qty.	Ill No.	Part No.	Description	Qty.	
1	AAU2304A	Pinion Seal	1	26	1G3594	3rd Gear	1	
2	22H1420	Speedometer Pinion	1	27	11G3029	3rd Gear Bushing	1	
3	22H15	Lever Bushing	1	28	1G3331	Interlocking Ring- 2nd & 3rd	1	
4	BAU1074	Reverse Light Switch	1	29	22H230	2nd Gear-use w/22H249 S/Ring	1	
5	11G3144	Spring	1	30	11G3028	2nd Gear Bushing	1	
6	1G3927	Spring	1	31	11G3063	Synchro-Ring	up to 18GB31471	
7	1H3087	Gear Lever Circlip	1		22G249		from 18GB31472 on	
8	22H152	Gear Shift Lever	1	32	1G3492	Rear Thrust Washer	1	
9	1G3706	Gear Shift Knob	1	33	48G422	First Gear	1	
10	S4408	Front Gearbox Seal	1	34	88G258	Reverse Shaft	1	
11	2K5830	Gearbox Drain Plug	1	35	1B3363	Locktab	1	
12	6K529	Bearing	1	36	22H83	Reverse Gear	1	
13	CCN240	Circlip	1	37	88-503791	Bearing for 3rd Motion Shaft	1	
14	1H3275	Gearbox Rear Seal	1	38	22H54	Lay Gear	up to 18GB74719	
15	1H3364	Gearbox Breather	1		22H1301		From 18GB74720 on	
16	8G2404	Needle Roller	18	39	1H3305	Layshaft	up to 18GB74719	
17	22H56	up to 18GB	1		88G400		From 18GB74720 on	
	22H843	18GB on	1	40	22H466	Front Thrust Washer	1	
18	6K885	Bearing	1	41	11G3026	Distance Tube- to 18GB74719	1	
19	6K886	Ring	1	42	11G3027	Split Ring	4	
20	6K907	.002"	1	43	AAU3052	Layshaft Bearing	3	
	6K908	.004						Shim
21	1A3717	Washer	1	44	22H672	Distance Tube-18GB74720 on	1	
22	3G3584	Nut	1	45	11G3027	Split Ring	4	
23	48G438	Synchro-Hub 3rd & 4th Gear	1	46	22H471	Bearing	4	
24	11G3022	Synchro-Ring 3rd & 4th Gear	2	47	1G3666	Gasket-Front Cover	1	
25	11G3127	.565"-.575"	1	48	1G3658	Gasket-Side Cover	1	
	11G3128	.1585"-.1595"						Thrust Washer
	11G3129	.1605"-.1615"						
				49	1G3712	Gasket-Casing	1	
				50	1G3711	Gasket-Turret	1	
				51	1G3810	Gasket	1	



# TRANSMISSION

## MGB



# TRANSMISSION

## MGB

### LATE GEARBOX NON-OVERDRIVE-ALL SYNCHROMESH 1968-80

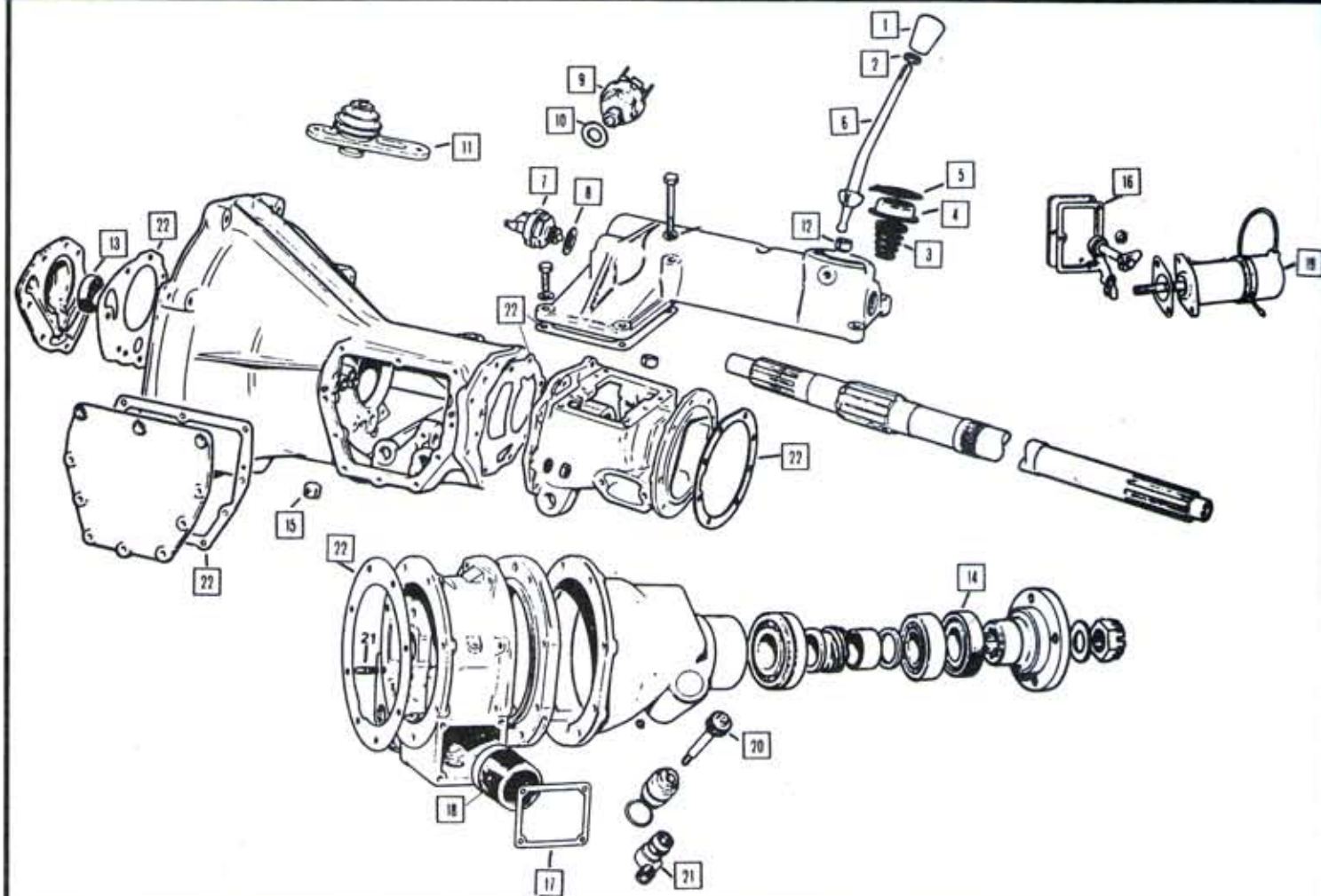
Ill No.	Part No.	Description	Qty.	Ill No.	Part No.	Description	Qty.				
1	22H1053R	Gearbox	to Sept. 1976	1	33	22B270	Washer	1			
	BHM5020R		Sept 1976 on		34	22B269	Nut	1			
2A	1B3736	Gear Shift Knob	to GHN5294250 & GHN5296000	1	35	22H1028	Synchro-Ring 3rd & 4th Gear	2			
2B			BHH788		from GHN5294251 & GHN5296001 on	36	22H1168	Synchro Assy. 3rd & 4th Gear	2		
3	DAM3079	Shift Lever	1	37	22H1062	Mainshaft Sleeve	1				
4	22H15	Bushing	1	38	DAM6230A	3rd Gear	1				
5	BHH2049	Gear Shift Grommet	1	39	22H281	Bushing	1				
6	BHH2072	Gear Shift Boot-Vinyl	1	40	22H1034	Interlocking Washer	1				
7	22B295	Bushing	1	41	DAM6228	2nd Gear	1				
8	MRL124	Reverse Light Switch	1	42	22H274	Bushing	1				
9	1B3664	Washer	1	43	22H276	Thrust Washer	1				
10	21H6060	Breather	1	44	22H1028	Synchro-Ring 1st & 2nd Gear	2				
11	S4408	Seal	1	45	DAM4104	Synchro Assy.	1				
12	22B356	Nut	1	46	DAM6226	1st Gear	1				
13	22H798	Washer	1	47	22H281	Bushing	1				
14	6K778	0.002"	Shim	A/R	48	DAM1740	Reverse Gear	1			
	6K779	0.004"			49	22H308	Reverse Idler Gear	1			
15	6K780	Spring Ring	1	50	22H310	Bushing	1				
16	6K830	Bearing-1st Motion Shaft	1	51	88G467	Reverse Gear Shaft	1				
17	22B556	1st Motion Shaft	1	52	22B301	Front Thrust Washer	up to Sept. 76	1			
18	22H774	Needle Bearing	1		22B691		From Sept. 76 on				
19	22B654	Pinion-Speedometer	up to Sept. 1976 (26 Teeth)	1	53	22H477	Spring Ring	2			
	DAM687		Sept. 1976 on		54	22B557	Lay Gear	1			
20	22H209	Gasket	1	55	22B280	Lay Shaft	1				
21	AAu2304A	Oil Seal-Pinion	1	56	22H478	Distance Tube	1				
22	88-120694	Angle Drive	1	57	AHU1041A	Needle Bearing	2				
23	22H772	Nut-3rd Motion Shaft	1	58	22B302	Rear Thrust Washer	.154"/.156" up to Sept. 1976	A/R			
24	22H773	Washer	1		22B303		.157"/.158"				
25	22B373	3rd Motion Shaft	1		22B304		.160"/.161"				
26	22B313	Bearing-Front 3rd Motion	1		22B305		.163"/.164"				
27	22B317	0.002"	Shim		A/R	22B692	Rear Thrust Washer	.134"/.135" up to Sept. 1976	A/R		
	22B318	0.004"				22B693		.131"/.132"			
28	22B649	Speedo-Gear	up to Sept.'76		1	22B694		.127"/.128"		Sept. 1976 on	A/R
29	88-503791	Bearing-Rear	From Sept.'76 on			22B695					
30	22B464	0.002"	Shim	A/R	22B696	.120"/.121"					
	22B465	0.005"			59	22B385	Gasket-Front Cover	1			
	22B466	0.010"			60	22B319	Gasket-Side Cover	1			
31	22B463	Circlip	1	61	22B372	Gasket-Remote	1				
32	13H9213	Rear Seal	2 1/2" O.D. 1 5/16" I.D.	1	62	22B371	Gasket-Casing	1			
				<b>Note:</b> For internal parts of O/D gearbox forward of the tailshaft housing use this page.							



# TRANSMISSION

## MGB

### EARLY NON-SYNCHROMESH GEARBOX WITH OVERDRIVE 1963-67

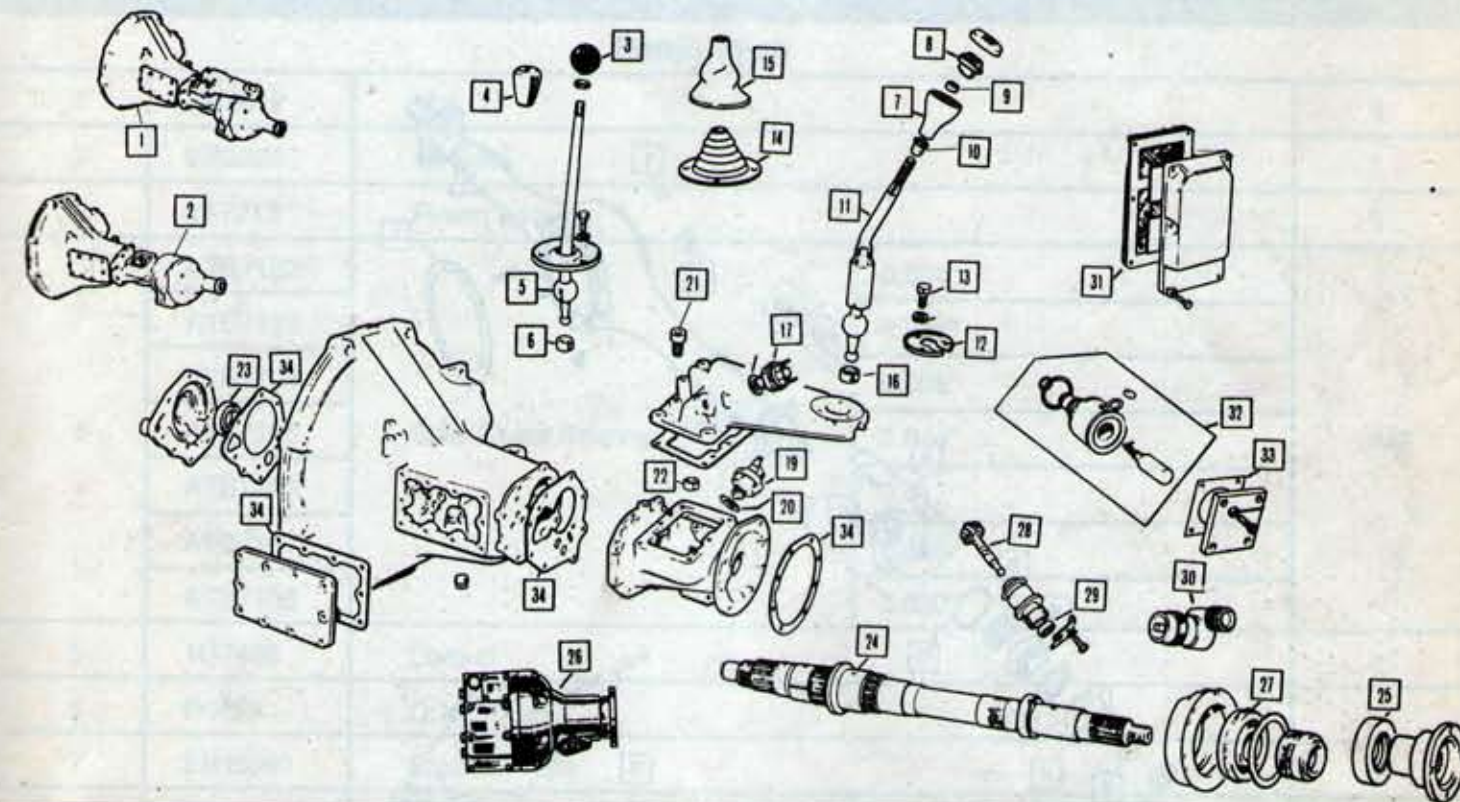


Ill No.	Part No.	Description	Qty.	Ill No.	Part No.	Description	Qty.
1	1G3706	Gearshift Knob	1	12	22H15	Bushing	1
2	NT605041	Locknut -Gearshift Knob	1	13	S4408	Oil Seal-Front	1
3	AEG3105	Spring	1	14	7H8325	Oil Seal-Rear	1
4	1G3927	Cover	1	15	2K5830	Drain Plug	1
5	1H3087	Circlip	1	16	88-513204	Gasket	1
6	22H251	Lever	1	17	88-506098	Gasket-Filter Cover	1
7	BAU1074	Reverse Light Switch	1	18	7H8197	Filter	1
8	1B3664	Washer	1	19	76522	Solenoid	1
9	MRL124	Overdrive Switch	1	20	17H8021	Speedometer Gear	1
10	1B3664	Washer	1	21	88-120694	Angle Drive	1
11	AHH7170	Gearshift Lever Boot	1	22	BGK102	Gasket Kit	1

# TRANSMISSION

## MGB

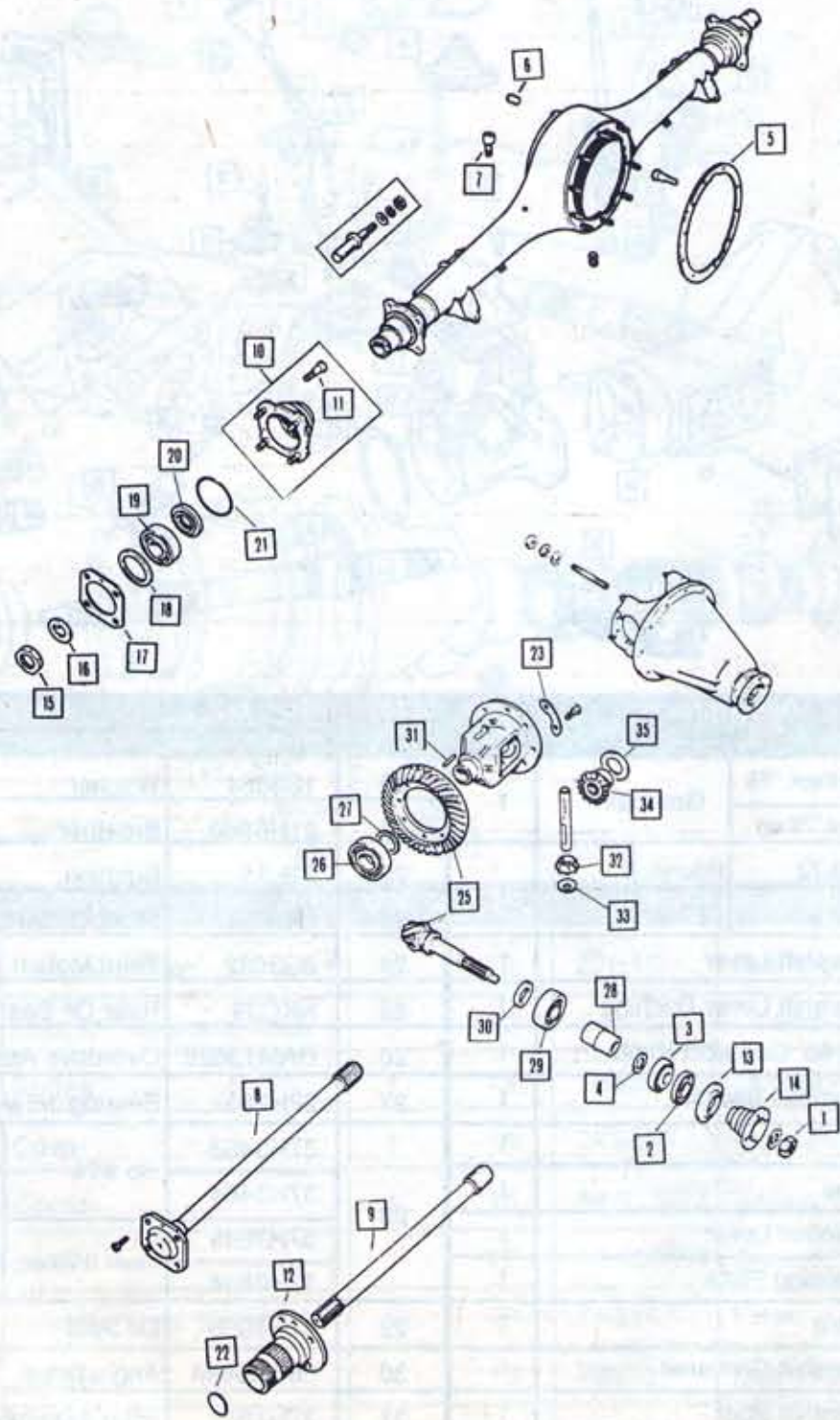
### LATE GEARBOX-WITH OVERDRIVE-ALL SYNCHROMESH 1968-80



Ill No.	Part No.	Description	Qty.	Ill No.	Part No.	Description	Qty.		
1	22H1052R	to Sept. '76	Gearbox-	1	20	1B3664	Washer	1	
2	BHM1117R	Sept '76 on		21	21H6060	Breather	1		
3	1B3736	1968-72	Round	Knob	1	22	22H15	Bushing	1
4	BHH788	1972-9/76	Pear		23	S4408	Front Oil Seal	1	
5	22B419	Gearshift Lever	1	24	8G3032	Third Motion Shaft	1		
6	22H15	Gearshift Lever Bushing	1	25	NKC39	Rear Oil Seal	1		
7	DAM2174	9/76-80 Gearshift Knob	1	26	DAM1362E	Overdrive Assembly	1		
8	39166	Overdrive Switch	1	27	22H283	Bearing 3rd Motion Shaft	1		
9	C30623	Nut	1	28	37H3463	to 9/76	Pinion-Speedo	1	
10	C30505A	Cone	1		37H3464		Gear-Speedo		
11	DAM2217	Gearshift Lever	1		37H8845	from 9/76 on	Pinion-Speedo		
12	DAM2576	Retaining Plate	1				37H8844		Gear-Speedo
13	22B525	Screw	1	29	37H1956	Oil Seal	1		
14	BHH2049	Gearshift Grommet	1	30	88-120694	Angle Drive	1		
15	BHH2072	Gearshift Boot	1	31	37H1942	Filter Assembly w/Gasket	1		
16	22H15	Bushing	1	32	37H1934	Solenoid Valve Kit	1		
17	MRL124	Reverse Light Switch	1	33	37H1941	Solenoid Gasket	1		
18	1B3664	Washer	1	34	BGK104	Transmission Gasket Kit	1		
19	MRL124	Overdrive Inhibitor Switch	1						



MGB



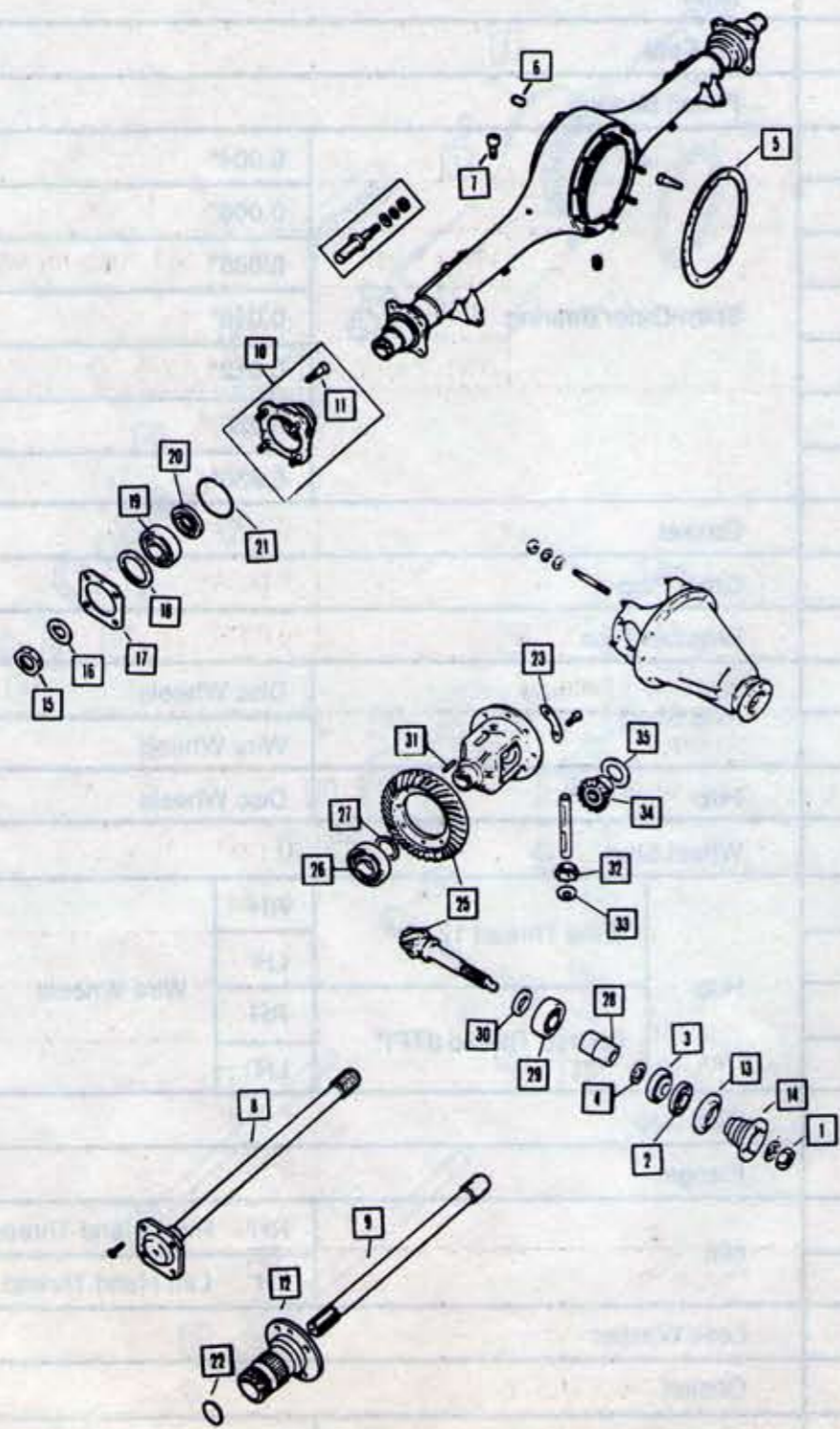
MGB  
REAR AXLE

Ill No.	Part No.	Description	Qty.			
<b>Banjo Type</b>						
1	FNZ612	Nut	1			
2	88G320	Oil Seal	1			
3	2A7213	Pinion Bearing	1			
4	ATB7102	Shim-Outer Bearing	A/R			
	ATB7103					
	ATB7104					
	ATB7105					
	ATB7106					
	ATB7107					
	ATB7108	0.030"				
5	1G7465	Gasket	1			
6	6K499	Drain Plug	1			
7	21H6060	Breather Pipe	1			
8	BTB336	Axle Shaft	Disc Wheels	2		
9	BTB153		Wire Wheels			
10	BTB334	Hub	Disc Wheels	2		
11	BTB187	Wheel Stud		8		
12	BTB332	Hub	Fine Thread 12TPI*	RH	Wire Wheels	2
	BTB333			LH		
	BTB732		Coarse Thread 8TPI*	RH		
	BTB733			LH		
13	1G7439	Dust Cap	1			
14	ATB7059	Flange	1			
15	1G7582	Nut	RH Right Hand Thread	1		
	1G7448		LH Left Hand Thread			
16	1G7584	Lock Washer	2			
17	GFG115	Gasket	2			
18	1G7436	Spacer	Disc Wheels Only	2		
19	GHB127	Bearing	2			
---	QWB141C	Wheel Bearing Kit	2			

\*Wire Wheels-Early Cars up to GHN3-30850 (Approx. 1962-64) used 12TPI Threads on the Hubs & Spinners.



MGB



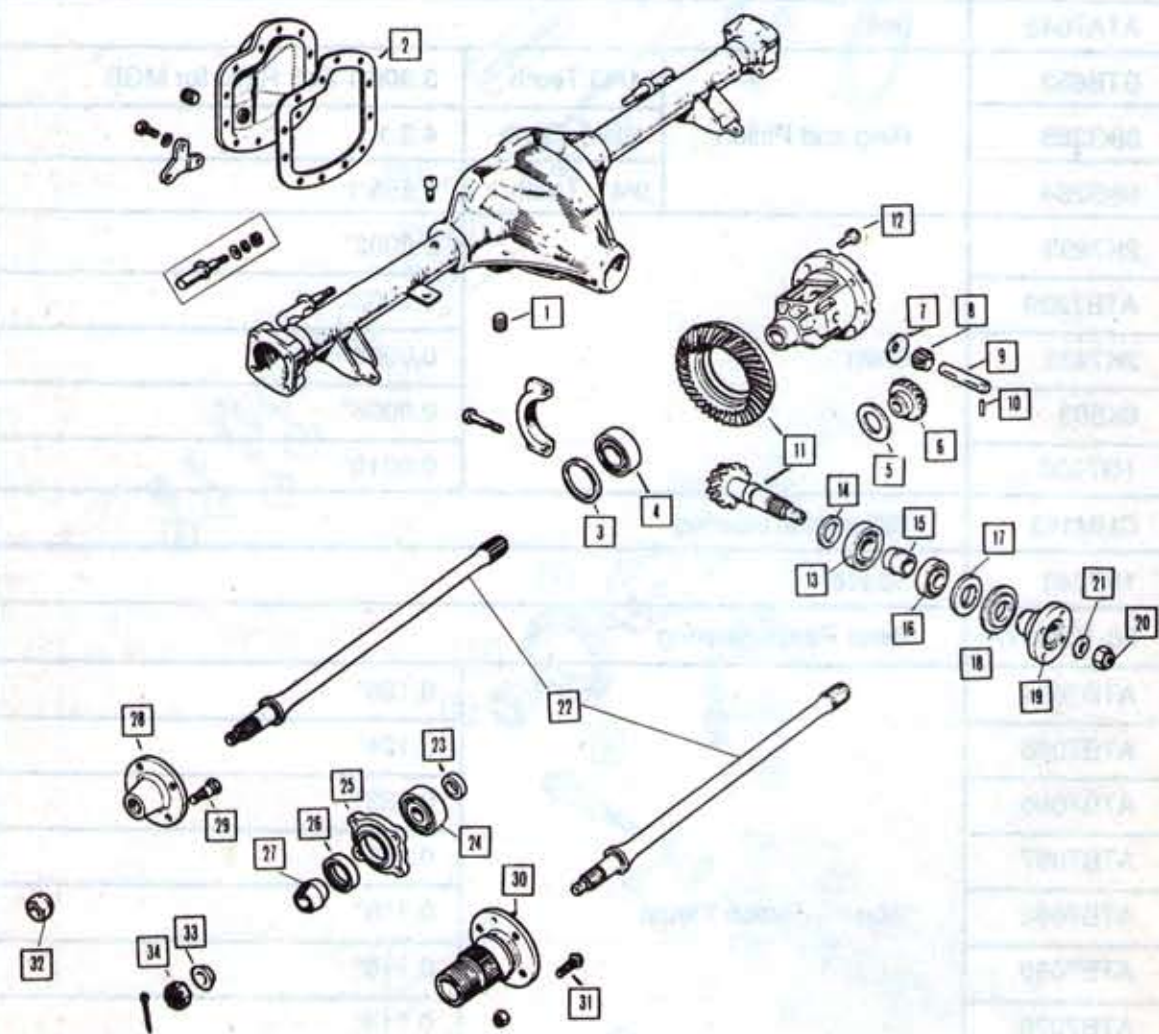
MGB  
REAR AXLE

Ill No.	Part No.	Description	Qty.		
<b>Banjo Type</b>					
20	GHS104	Oil Seal	2		
21	ATB7354	"O" Ring	2		
22	2K8160	Hub Plug	2		
23	6K875	Tab Washer	4		
24	ATA7043	Bolt	8		
25	BTB653	Ring and Pinion	11/43 Teeth	3.909:1 Std. Ratio for MGB	1
	88G283		10/43 Teeth	4.3:1	
	88G284		9/41 Teeth	4.555:1	
26	2K7993	Shim	0.0002"	A/R	
	ATB7239		0.0003"		
	2K7435		0.0004"		
	6K503		0.0006"		
	1G7600		0.0010"		
27	CHM163	Differential Bearing	1		
28	1B7240	Spacer	1		
29	88-100897A	Inner Pinion Bearing	1		
30	ATB7064	Washer-Pinion Thrust	0.126"	1	
	ATB7065		0.124"		
	ATB7066		0.122"		
	ATB7067		0.120"		
	ATB7068		0.118"		
	ATB7069		0.116"		
	ATB7070		0.114"		
ATB7071	0.112"				
31	1G7444	Pinion Pin	1		
32	ATB7123	Pinion	2		
33	1G7445	Pinion Thrust Washer	2		
34	BTB150	Wheel-Differential	2		
35	ATB7072	Wheel Thrust Washer	2		



MGB

MGB  
REAR AXLE

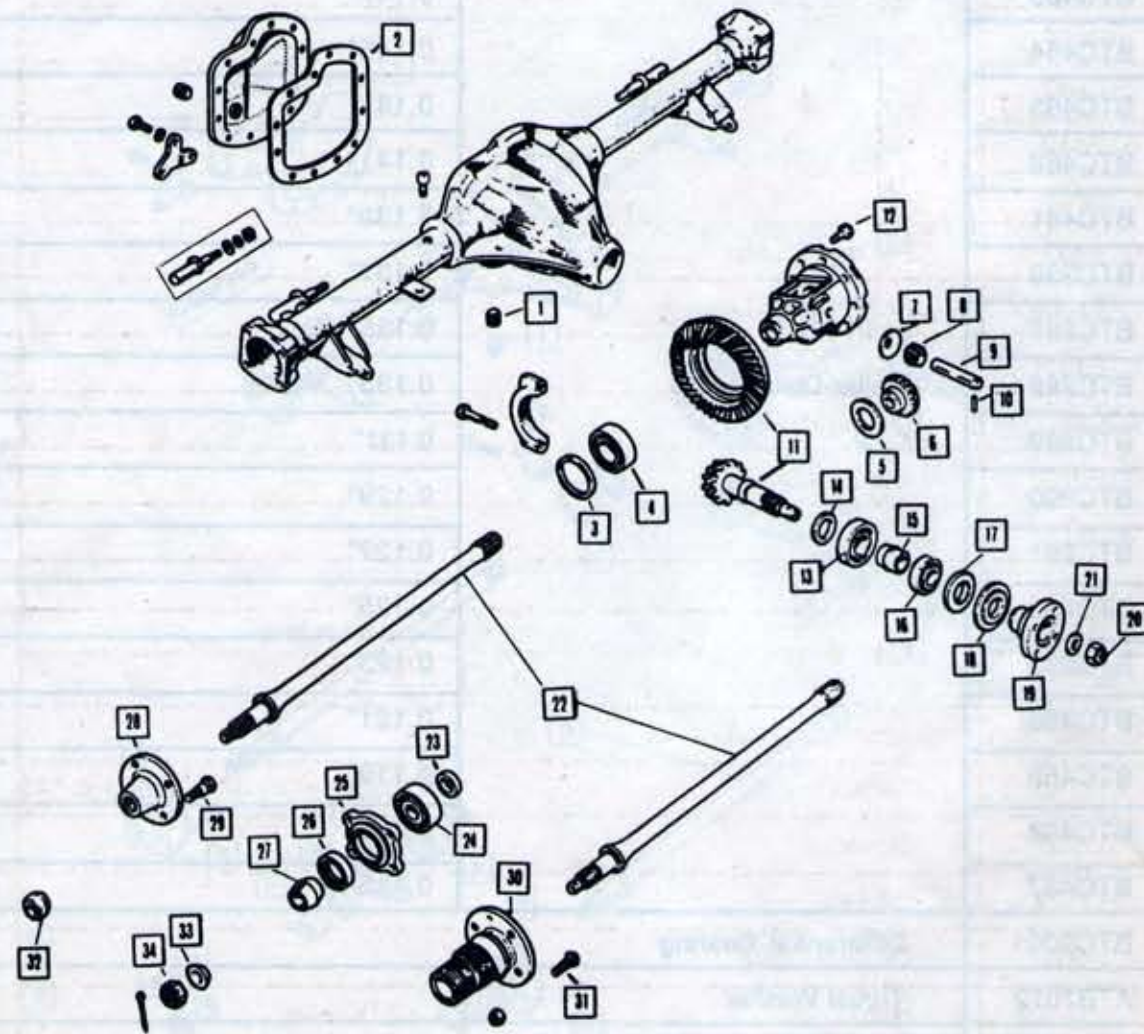


Ill No.	Part No.	Description	Qty.
<b>Tube Type</b>			
1	6K499	Drain Plug & Filler Plug	2
2	BTB674	Gasket	1
3	BTC466	Collar-Distance	0.149"
	BTC465		0.147"
	BTC464		0.145"
	BTC463		0.143"
	BTC462		0.141"
	BTC461		0.139"
	BTC286		0.137"
	BTC287		0.135"
	BTC288		0.133"
	BTC289		0.131"
	BTC290		0.129"
	BTC291		0.127"
	BTC292		0.125"
	BTC293		0.123"
BTC460	0.121"		
BTC459	0.119"		
BTC458	0.117"		
BTC457	0.115"		
4	BTC9001	Differential Bearing	2
5	ATB7072	Thrust Washer	2
6	BTB428	Wheel-Differential	2
7	1G7445	Thrust Washer-Pinion	2
8	ATB7123	Pinion-Differential	2
9	BTB871	Pin-Pinion	1
10	BTB715	Roll Pin	1
11	BTB856	Ring & Pinion	11 X 43 Teeth 3.909:1
12	BTB432	Bolt	8
13	88-539706A	Inner Pinion Bearing	1



MGB

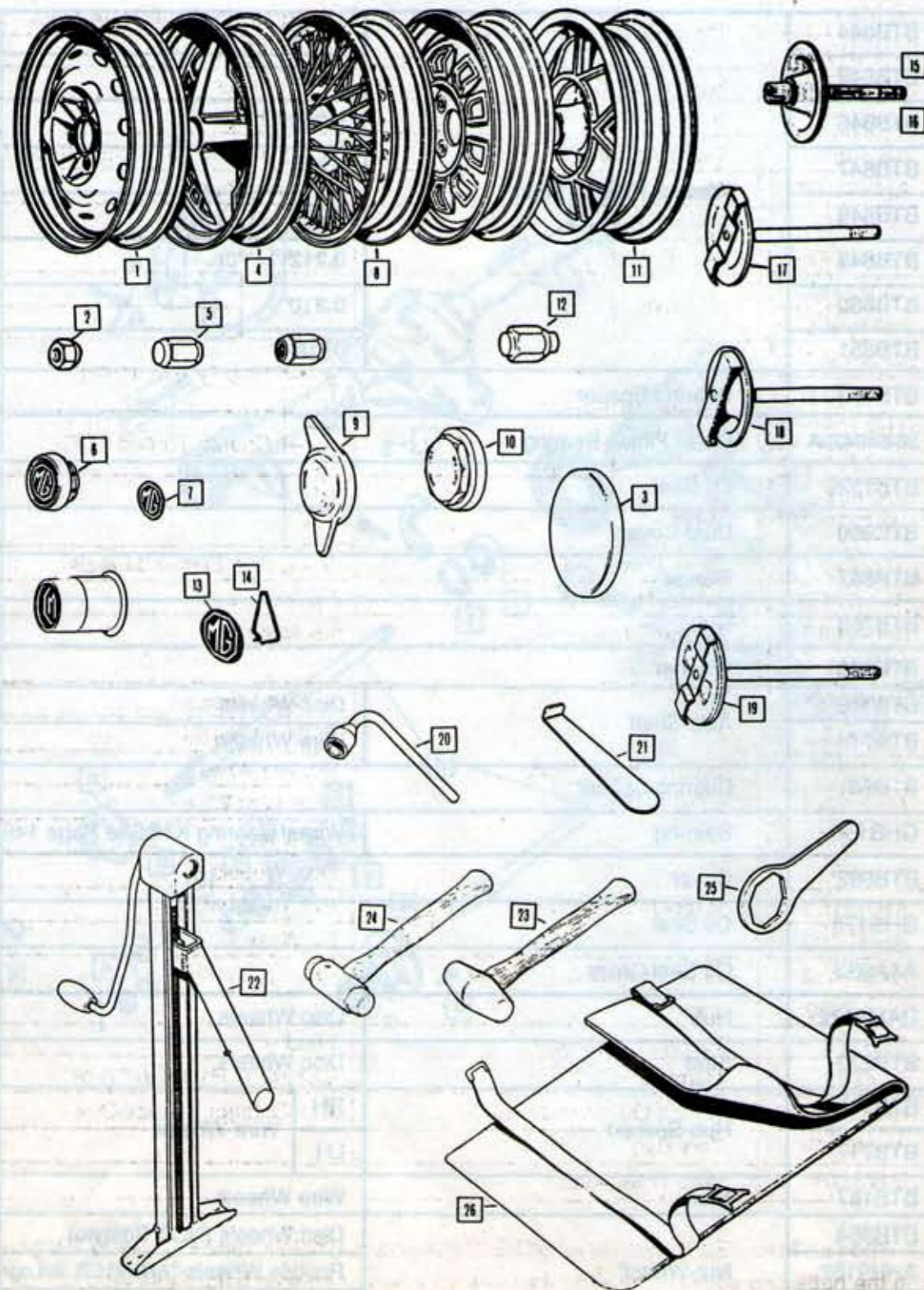
MGB  
REAR AXLE



Ill No.	Part No.	Description	Qty.
<b>Tube Type</b>			
14	BTB844	Washer-Pinion Thrust	0.222"
	BTB845		0.220"
	BTB846		0.218"
	BTB847		0.216"
	BTB848		0.214"
	BTB849		0.212"
	BTB850		0.210"
	BTB851		0.208"
15	BTB853	Bearing Spacer	1
16	88-549420A	Outer Pinion Bearing	1
17	BTB1326	Oil Seal	1
18	BTC350	Dust Cover	1
19	BTB867	Flange	1
20	BTB753	Nut	1
21	BTB933	Washer	1
22	BTB700	Axle Shaft	Disc Wheels
	BTB714		Wire Wheels
23	BTB681	Bearing Spacer	2
24	GHB158	Bearing	Wheel Bearing Kits See Page 149
25	BTB682	Cover	2
26	GHS179	Oil Seal	2
27	AAA982	Oil Seal Collar	2
28	DAM4122	Hub	Disc Wheels
29	BTB229	Stud	Disc Wheels
30	BTB716	Hub-Splined	RH
	BTB717		LH
31	BTB187	Stud	Wire Wheels
32	BTB354	Nut-Wheel*	Disc Wheels (NOT Rostyle)
	AHH9152		Rostyle Wheels-*AHH9152L w/Logc
	BHH1087		Limited Edition Models
33	BTA243	Collar	2
34	BTA249	Nut	2



MGB



MGB

ROAD WHEELS, TOOLS, ECT.

III No.	Part No.	Description	Qty.		
1	AHH6132	Road Wheel	4" Disc Style	Roadster (RD) GHN3/4 Cars	5
	AHH8112		5" Disc Style	GT GHD3/4 Cars	
2	BTB354	Nut-Road Wheel	Disc Wheels	16	
3	AHH6297	Hub Cap	Disc Wheels	4	
4	BHH2090	Road Wheel	Rostyle-Painted-GHN5, GHD5 Cars	5	
5	AHH9152**	Nut	Rostyle Wheels	16	
6	TMP1450	Center Hub Cap	Rostyle Wheels	4	
7	AHH9268B	Hub Cap Badge	Black/Silver	4	
8	AHH6487	Wire Wheel	4 1/2"	Painted	5
	AHH6936			Chrome	
9	AHH7317	Knock-Off Eared*	RH	Fine Thread 12TPI	2
	AHH7318		LH		
	AHA7373***		RH	Coarse Thread 8TPI	
	AHA7374***		LH		
10	88G606	Kock-Off Octagon	RH		2
	88G607		LH		
11	BHH2451	Road Wheel-2 Tone Grey	5"-Limited Edition Models	5	
12	BHH2269	Wheel Nut-Black	LE Models	16	
13	BHH2687	Badge-Silver on Red	LE Models	4	
14	88-160053	Spring Clip		4	
15	AHH6485	Spare Wheel Clamp	4" Disc Wheels	1	
16	AHH8113		5" Disc Wheels		
17	AHC866		Rostyle Wheels		
18	AHH7043		4 1/2" Wire Wheel		
19	BHH2339		LE Wheel		
20	AHH6539	Wrench-Wheel Nut	Disc Wheels	1	
	AHH9153		Rostyle Wheels		
	BHH1086		LE Wheels		
21	NAM1412	Lever-Hub Cap Remover		1	
22	BHA5329	Jack		1	
23	88G329	Hammer	Lead	1	
24	C27290	Hammer	Copper & Rawhide "Thor"	1	
25	AHH5839	Knock-Off Wrench	For Octagon Knock-Offs	1	
26	AHH6540	Tool Bag		1	
--	MWB001	Wire Wheel Brush		1	

\*Wire Wheels. Note: Early cars up to GHN3-30850 (approximately 1962-64) use 12TPI (threads per inch) threads on the hubs and spinners. Please measure your hub or spinner before ordering.

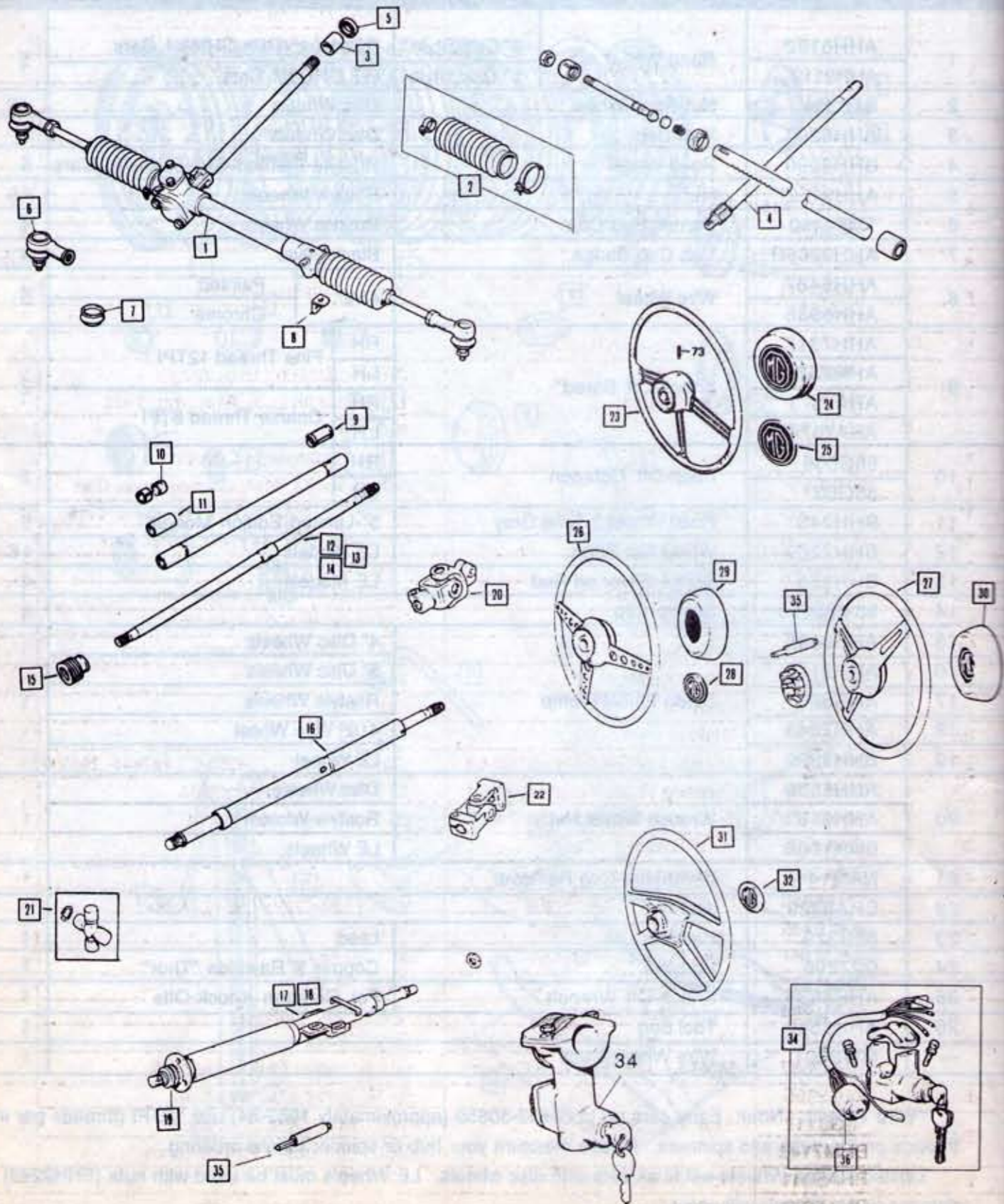
Limited Edition Wheels will fit all cars with disc wheels. LE Wheels must be used with nuts (BHH2269) or damage to the Wheels will occur.

\*\*AHH9152L comes complete with MG logo. \*\*\*AHA7373M & AHA7374M complete with MG logo.



# STEERING

MGB



# STEERING

MGB

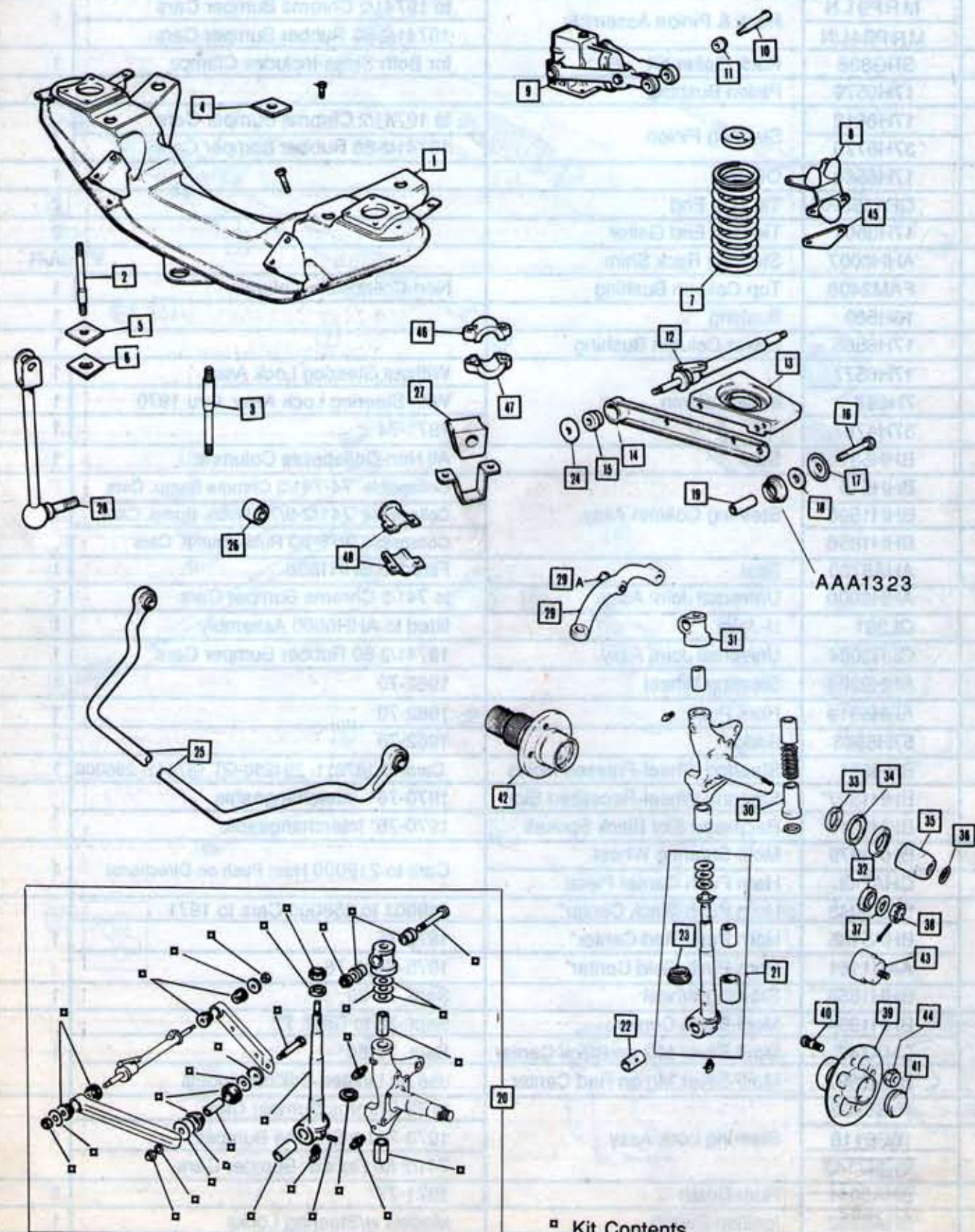
## RACK & PINION, COLUMNS, STEERING WHEELS ECT.

Ill No.	Part No.	Description	Qty.
1	MRP9LN	Rack & Pinion Assembly	to 1974 1/2 Chrome Bumper Cars
	MRP34LN		1974 1/2-80 Rubber Bumper Cars
2	SRG836	Rack Gaiter Kit	for Both Sides-Includes Clamps
3	17H6579	Pinion Bushing	
4	17H6612	Steering Pinion	to 1974 1/2 Chrome Bumper Cars
	37H8770		1974 1/2-80 Rubber Bumper Cars
5	17H6560	Oil Seal	
6	QR1153RH	Tie Rod End	
7	17H3501	Tie Rod End Gaiter	
8	AHH6007	Steering Rack Shim	
9	FAM2406	Top Column Bushing	Non-Collapsible Column
10	13H569	Bushing	
11	17H6565	Lower Column Bushing	
12	17H6577	Inner Column	Without Steering Lock Assy.
13	7H697		With Steering Lock Assy. thru 1970
14	37H4767		1971-74
15	BHH531	Seal	All Non-Collapsible Columns
16	BHH515	Steering Column Assy.	Collapsible '74-'74 1/2 Chrome Bump. Cars
17	BHH1596		Collapsible '74 1/2-9/76 Rubb. Bump. Cars
18	BHH1856		Collapsible 9/76-80 Rubb. Bump. Cars
19	AHA8720	Seal	Fitted to BHH1856
20	AHH6000	Universal Joint Assy.	to 74 1/2 Chrome Bumper Cars
21	QL301	U-Joint	fitted to AHH6000 Assembly
22	GLR3084	Universal Joint Assy.	1974 1/2-80 Rubber Bumper Cars
23	AHH9284	Steering Wheel	1962-70
24	AHH6319	Horn Push	1962-70
25	57H5593	Badge	1962-70
26	BHH291	Steering Wheel-Pressed Holes	Cars RD 187211- 294250-GT 187841- 296000
27	BHH1307*	Steering Wheel-Recessed Slot	1970-76* interchangeable
	BHH1813*	Recessed Slot Black Spokes	1970-76* interchangeable
28	BHA4979	Motif-Steering Wheel	
29	CHA748	Horn Push Center Piece	Cars to 219000 Horn Push on Directional
30	BHA5043	Horn Push-Black Center*	219001 to 258000 Cars to 1971
	BHA5135	Horn Push-Red Center*	1972-75
	AAU1161	Horn Push-Gold Center*	1975-Sept. 76
31	BHH1853	Steering Wheel	Sept. 76-80
32	BHH1994	Motif-Black Center	Sept. 76 to Sept. 77
	CHA747	Motif-Silver MG on Black Center	Sept. 77-80
	BHH2687	Motif-Silver Mg on Red Center	use on Limited Edition Models
33	18G8905	Steering Lock Assy.	to 72 Chrome Bumper Cars
34	18G9118		1973-74 1/2 Chrome Bumper
34	BHM7143		74 1/2-80 Rubber Bumper Cars
	35	BHA5041	Horn Brush
36	BHA5292	Ignition Switch	Models w/Steering Locks



# SUSPENSION

## MGB



▪ Kit Contents

# SUSPENSION

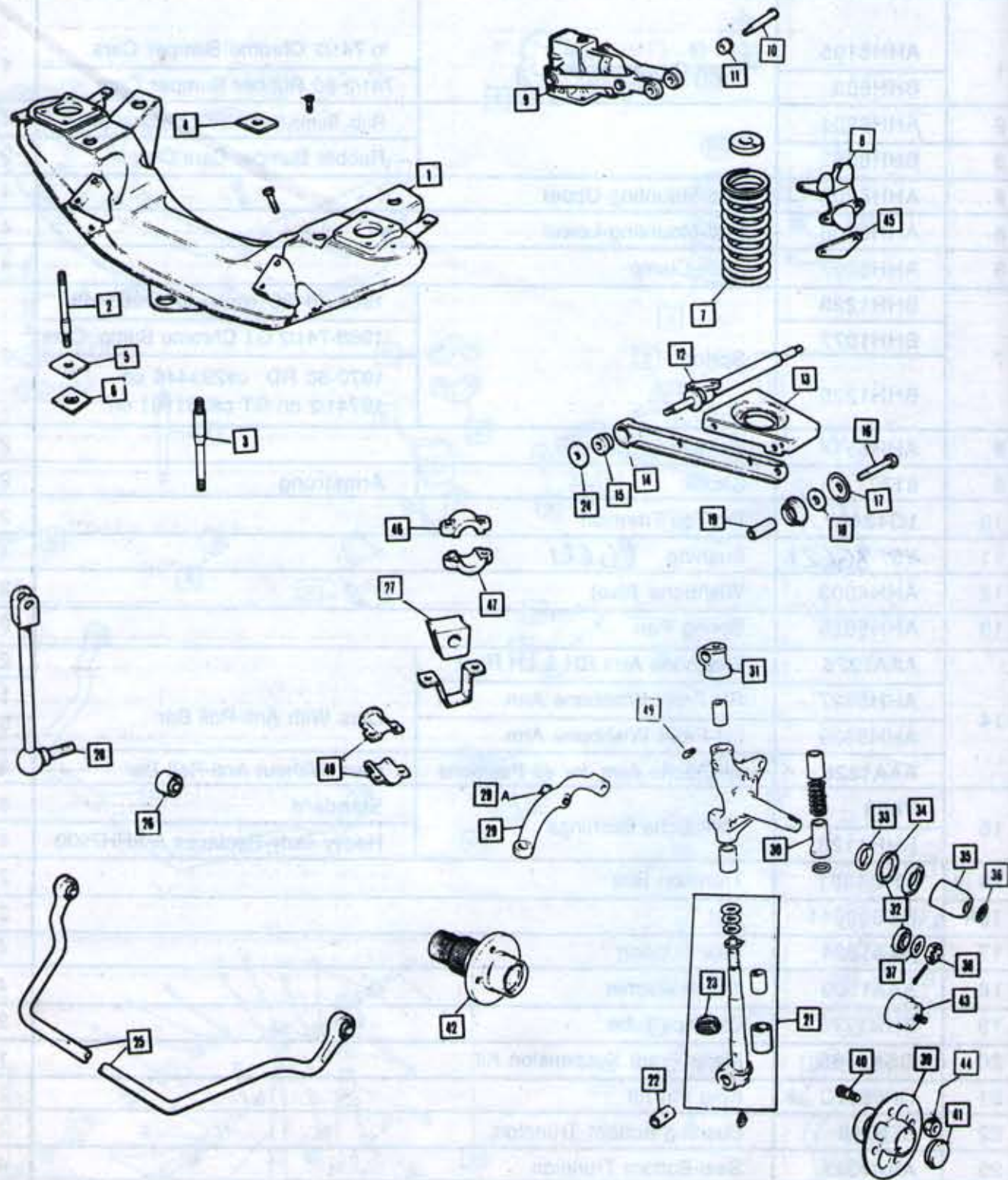
## MGB FRONT SUSPENSION

Ill No.	Part No.	Description	Qty.
1	AHH6195	Front Crossmember	to 74 1/2 Chrome Bumper Cars
	BHH803		74 1/2-80 Rubber Bumper Cars
2	AHH6204	Bolt	Rub. Bump.Cars use 2-Chrome use 4
3	BHH805		Rubber Bumper Cars Only
4	AHH6205	Pad-Mounting-Upper	4
5	AHH6206	Pad-Mounting-Lower	4
6	AHH6207	Plate-Clamp	4
7	BHH1225	Spring	1962-70 RD (only) to c#293445
	BHH1077		1968-74 1/2 GT Chrome Bump. Cars
	BHH1225		1970-80 RD c#293446 on 1974 1/2 on GT c#361101 on
8	AHH6514	Bumpstop	2
9	8177	Shock	Armstrong
10	1G4349	Pin-Top Trunnion	2
11	Y9 8G621	Bushing 8G621	4
12	AHH4003	Wishbone Pivot	2
13	AHH5925	Spring Pan	2
14	AAA1326	Wishbone Arm RH & LH Rear	2
	AHH5927	RH Front Wishbone Arm	Cars With Anti-Roll Bar
	AHH5929	LH Front Wishbone Arm	1
	AAA1326	Wishbone Arm, for all Positions	Cars Without Anti-Roll Bar
15	Y889	Wishbone Bushings	Standard
	BHH1123		Heavy Duty-Replaces 8-AHH7933
16	AHH4001	Trunnion Bolt	2
16A	ND608041	Nut	2
17	AAA1324	Seal Support	4
18	AAA1390	Thrust Washer	4
19	BHH1773	Distance Tube	2
20	QSK156S	Major Front Suspension Kit	1
21	QP650TC	King Pin Kit	2
22	BTB768	Bushing-Bottom Trunnion	2
23	AAA1323	Seal-Bottom Trunnion	4
24	AAA1330	Washer-Inner Wishbone Bushing	4
25	AHH7329	Anti-Roll Bar	1962-74 1/2 RD to c#360300
	BHH882		RD 74 1/2-80 GT 74 1/2 on



# SUSPENSION

## MGB



# SUSPENSION

## MGB FRONT SUSPENSION

No.	Part No.	Description	Qty.		
26	AHH5939	Anti-Roll Bar Bushing	2		
27	AHH6541	Bushing-Fitted to AHH7329	1962-741/2 (9/16") Bar	2	
	1B4526	Bushing-Fitted to BHH882	741/2 on (5/8") Bar		
28	GZS836	Anti-Roll Bar Link	RH	1	
	GZS837		LH		
29	BTB396	Steering Arm	RH	1	
	BTB397		LH		
29A	BTB410	Bolt-Steering Arm to Stub Axle	2		
30	21B251K	Dust Tube Kit	2		
31	ATC4249	Top Trunnion	2		
32	QWB129C	Wheel Bearing Kit	2		
33	BTB183	Collar	2		
34	MNA448	Oil Seal	2		
35	88G484	Bearing Spacer	2		
36*	ATB4240	Shim	0.003"	Shims should be chosen to give an end float of 0.002" to 0.004" on the bearings.*	A/R
	ATB4241		0.005"		
	ATB4242		0.010"		
	BTB656		0.030"		
37	1A4742	Washer	2		
38	51K330	Nut	2		
39	DAM4121	Hub Assembly	Disc Wheels	2	
40	BTB187	Stud	Disc Wheels	8	
41	2A4067	Grease Cap	Disc Wheels	2	
42**	BTB346	Splined Hub Wire Wheels	RH-Fine Thread-12TPI	1	
	BTB347		LH-Fine Thread-12TPI		
	BTB730		RH-Coarse Thread-8TPI		
	BTB731		LH-Coarse Thread-8TPI		
43	BTC392	Grease Cap	Wire Wheels	2	
44	BTB354	Nut-Wheel	Pre-Rostyle Wheels	16	
	AHH9152***		Rostyle Wheels		
	BHH1087		Jubilee Wheels		
45	AAA5024	Distance Piece	2		
46	21A667	Clamp-Anti Roll Bar	GT Models-Upper	2	
47	21A668		GT Models-Lower		
48	AHH6546		RD Models	4	
49	UHN400	Grease Nipple	1		

\*If starting without any shims we suggest that 2 of ATB4240, ATB4241, ATB4242 and 1 of BTB656 should be adequate.

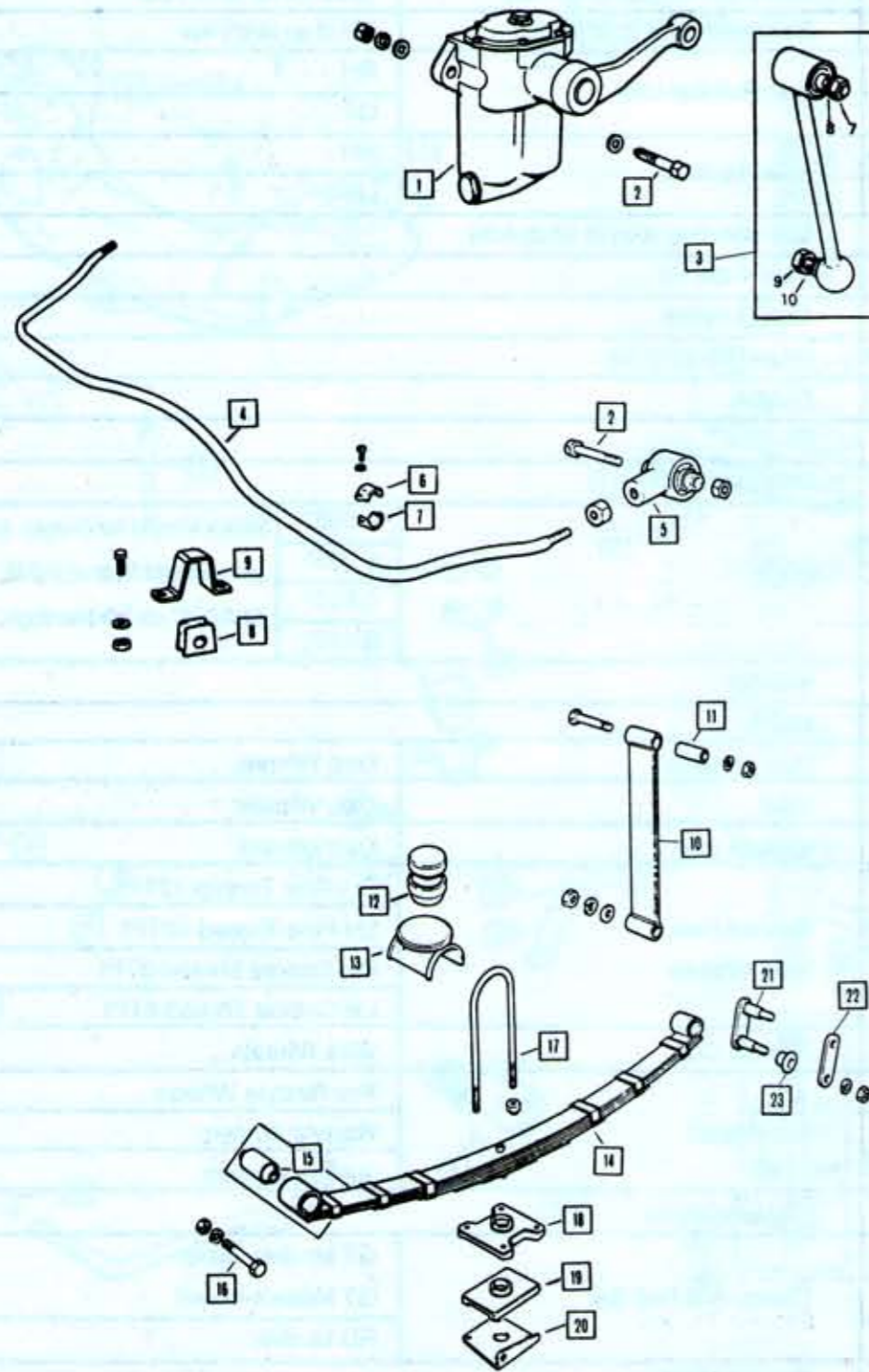
\*\*Wire Wheels. Note: Early Cars up to GHN3-30850 (Approximately 1962-64) used 12TPI Threads on the hubs and spinners. Please Check your car# before ordering.

\*\*\* AHH9152L comes complete with MG logo.



# SUSPENSION

## MGB



# SUSPENSION

## MGB

### REAR SUSPENSION

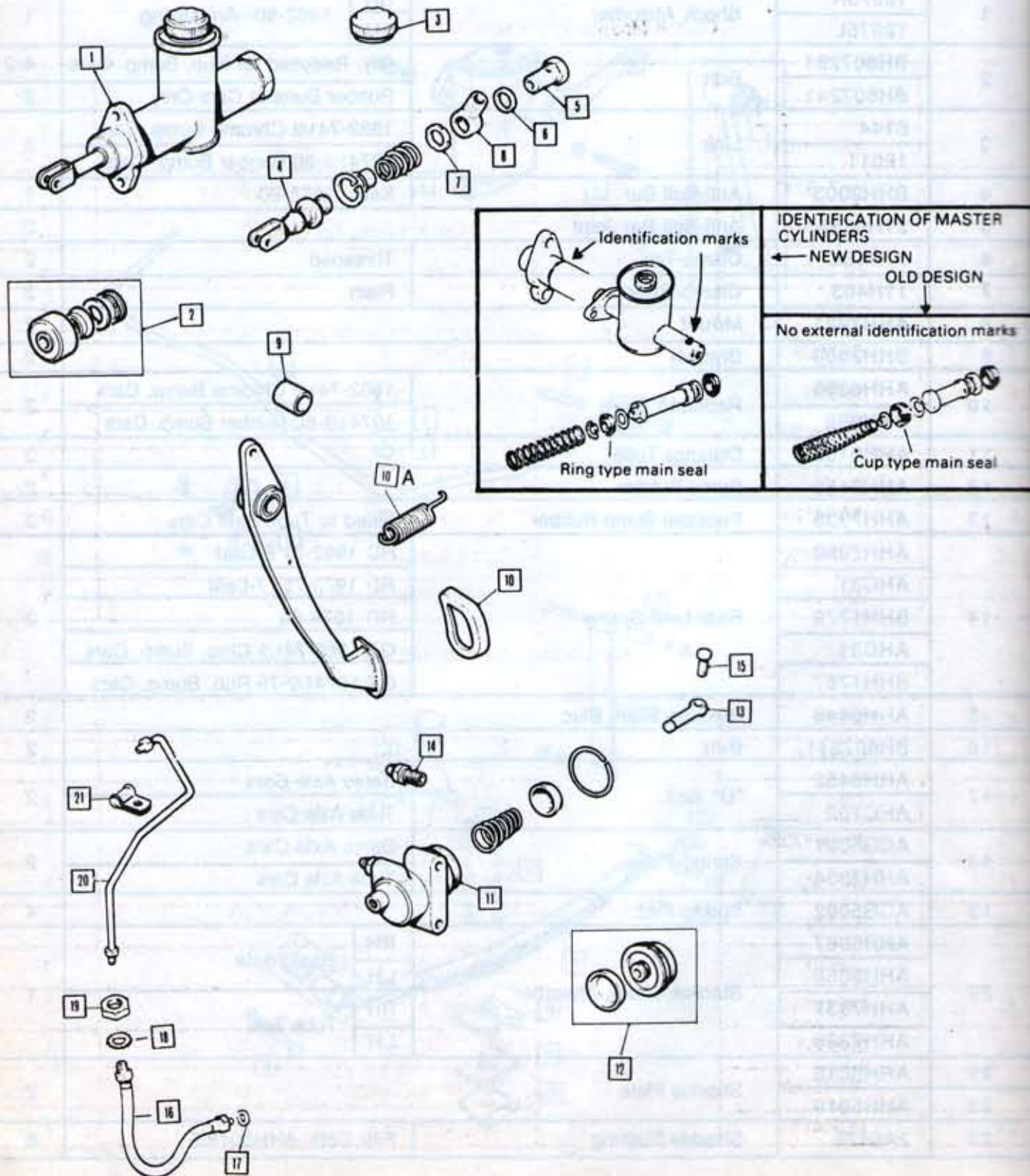
Ill No.	Part No.	Description		Qty.	
1	12075R	Shock Absorber	RH	1962-80--Armstrong	1
	12075L		LH		
2	BH607261	Bolt	Qty. Reduced for Rub. Bump. Cars		4/2
	BH607241		Rubber Bumper Cars Only		2
3	6144	Link	1962-74 1/2 Chrome Bump. Cars		2
	12011		1974 1/2-80 Rubber Bump. Cars		
4	BHH2003*	Anti-Roll Bar	Sept. 1976-80		1
5	21H6655	Anti-Roll Bar Joint			2
6	11H462	Clamp-Top	Threaded	2	
7	11H463	Clamp-Bottom	Plain	2	
8	AHH7921	Mount			2
9	BHH2000	Bracket			2
10	AHH6355	Rebound Strap	1962-74 1/2 Chrome Bump. Cars		2
	BHH989		1974 1/2-80 Rubber Bump. Cars		
11	AHH6162	Distance Tube			2
12	AHH9158	Bump Rubber			2
13	AHH7335	Pedestal-Bump Rubber	Fitted to Tube Axle Cars		2
14	AHH7080	Rear Leaf Spring	RD 1962-71 6-Leaf		2
	AHC31		RD 1972-75 7-Leaf		
	BHH1779		RD 1976-80		
	AHC31		GT 1968-74 1/2 Chro. Bump. Cars		
	BHH1767		GT 1974 1/2-75 Rub. Bump. Cars		
15	AHH6446	Bushing-Silent Bloc			2
16	BH607241	Bolt			2
17	AHH6452	"U" Bolt	Banjo Axle Cars		2
	AHC109		Tube Axle Cars		
18	ACG5001	Spring Plate	Banjo Axle Cars		2
	AHH7334		Tube Axle Cars		
19	ACG5002	Spring Pad			4
20	AHH5067	Bracket-Shock Absorber	RH	Banjo Axle	1
	AHH5068		LH		
	AHH7337		RH	Tube Axle	
	AHH7338		LH		
21	AHH5018	Shackle Plate			2
22	AHH5019				
23	2A5176	Shackle Bushing	Fits Both AHH5018/9		8

\*Rear Anti-Roll Bars were fitted to rubber bumper cars from September 1976 on. It is **NOT** possible to fit the Anti-Roll Bar to earlier cars without extensive welding and modifications to the vehicle.



# CLUTCH HYDRAULICS

## MGB



# CLUTCH HYDRAULICS

## MGB

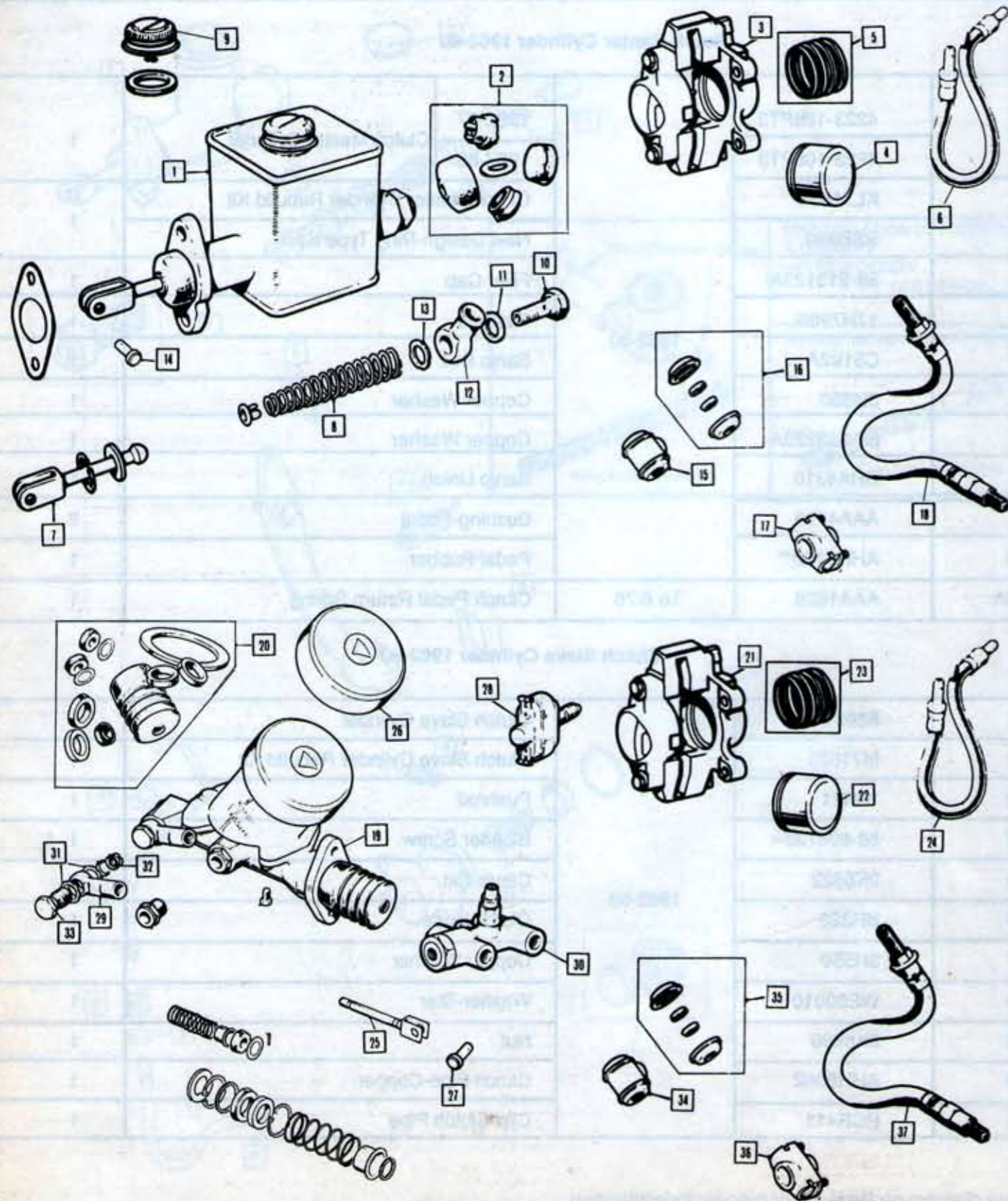
### CLUTCH MASTER CYLINDER, SLAVE CYLINDER & COMPONENTS

No.	Part No.	Model Year & Description	Qty.	
<b>Clutch Master Cylinder 1962-80</b>				
1	4223-128PT3	1962-67	Clutch Master Cylinder	1
	4223-105PT3	1967-80		
2	KL71534*	1962-80	Clutch Master Cylinder Rebuild Kit	1
	SSB960		New Design-Ring Type Seal	1
3	88-513123A		Filler Cap	1
4	17H7985		Pushrod	1
5	C5192A		Banjo Bolt	1
6	3H550		Copper Washer	1
7	88-233220A		Copper Washer	1
8	BHA4310		Banjo Union	1
9	AAA4129		Bushing-Pedal	2
10	AHH5100**		Pedal Rubber	1
10A	AAA1628	To 6/76	Clutch Pedal Return Spring	1
<b>Clutch Slave Cylinder 1962-80</b>				
11	83901	1962-80	Clutch Slave Cylinder	1
12	M71525		Clutch Slave Cylinder Rebuild Kit	1
13	13H21		Pushrod	1
14	88-606733A		Bleeder Screw	1
15	2K5622		Clevis Pin	1
16	BH320		Clutch Hose	1
17	3H550		Copper Washer	1
18	WE600101		Washer-Star	1
19	2K8686		Nut	1
20	AHH6362		Clutch Pipe-Copper	1
21	PCR411		Clip-Clutch Pipe	1

\*See diagram on Page 43 for cylinder identification.



MGB

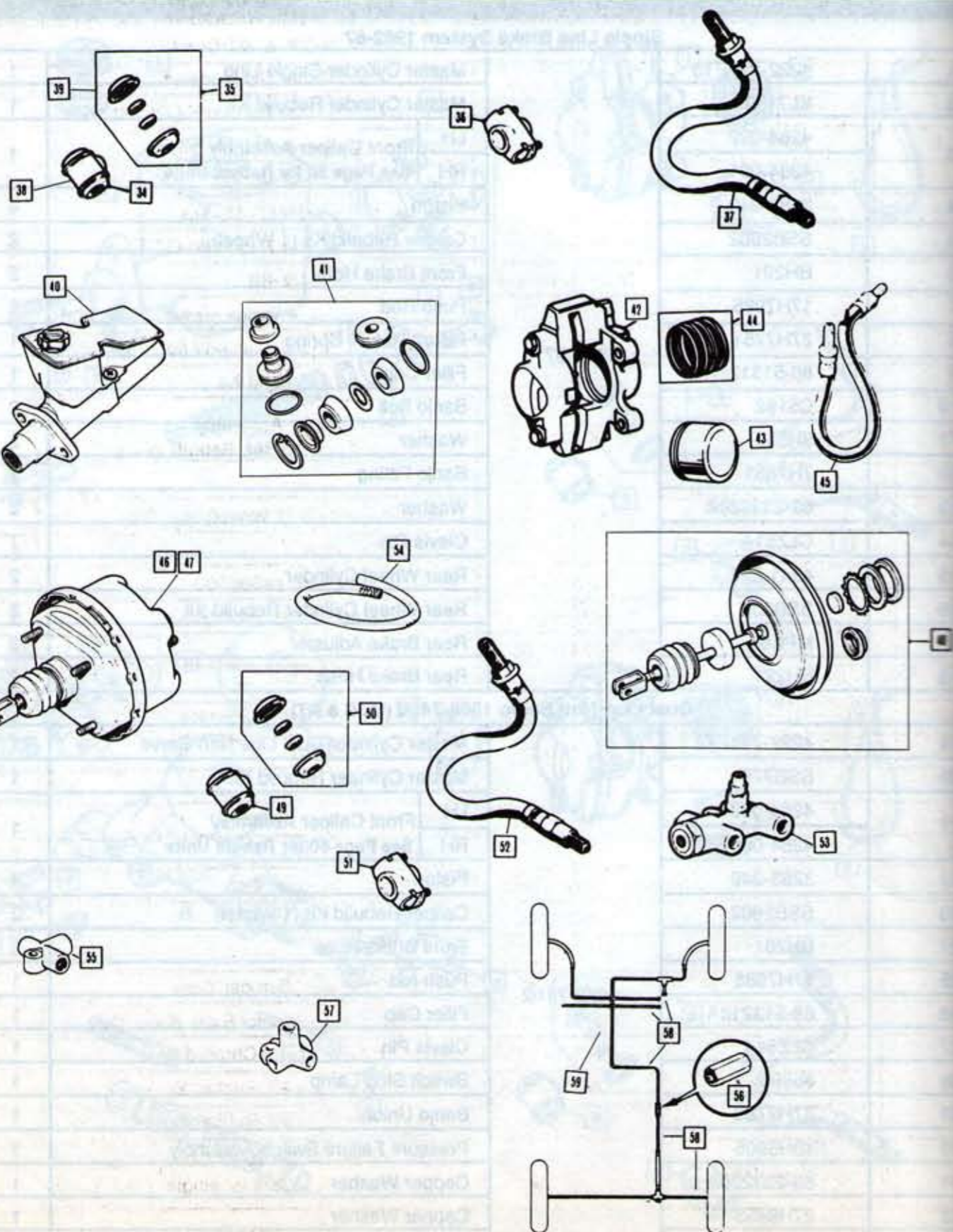


MGB  
BRAKE HYDRAULICS

Ill No.	Part No.	Year & Description	Qty.
<b>Single Line Brake System 1962-67</b>			
1	4222-139PT3	Master Cylinder-Single Line	1
2	KL71535	Master Cylinder Rebuild Kit	1
3	4264-092	LH Front Caliper Assembly	1
	4264-091	RH See Page 50 for Rebuilt Units	
4	3283-249	Piston	4
5	SSB2602	Caliper Rebuild Kit (1 Wheel)	2
6	BH201	Front Brake Hose	2
7	17H7985	Push Rod	1
8	27H7751	Piston Return Spring	1
9	88-513123A	Filler Cap	1
10	C5192	Banjo Bolt	2
11	3H550	Washer	2
12	7H7851	Banjo Fitting	1
13	88-233220A	Washer	2
14	CLZ514	Clevis Pin	1
15	4241-575	Rear Wheel Cylinder	2
16	SSB539	Rear Wheel Cylinder Rebuild Kit	2
17	MPK6	Rear Brake Adjuster	2
18	BH221	Rear Brake Hose	2
<b>Dual Line-Non Servo 1968-74 1/2 (MGB &amp; GT)</b>			
19	4222-744PT3	Master Cylinder-Dual Line Non-Servo	1
20	SSB775	Master Cylinder Rebuild Kit	1
21	4264-092	LH Front Caliper Assembly	1
	4264-091	RH See Page 50 for Rebuilt Units	
22	3283-249	Piston	4
23	SSB2602	Caliper Rebuild Kit (1 Wheel)	2
24	BH201	Front Brake Hose	2
25	17H7985	Push rod	1
26	88-513213A	Filler Cap	1
27	CLZ514	Clevis Pin	1
28	35896	Switch Stop Lamp	1
29	37H2782	Banjo Union	1
30	13H5905	Pressure Failure Switch Assembly	1
31	88-233220A	Copper Washer	1
32	27H8453	Copper Washer	1
33	37H2783	Banjo Bolt	1



MGB



MGB

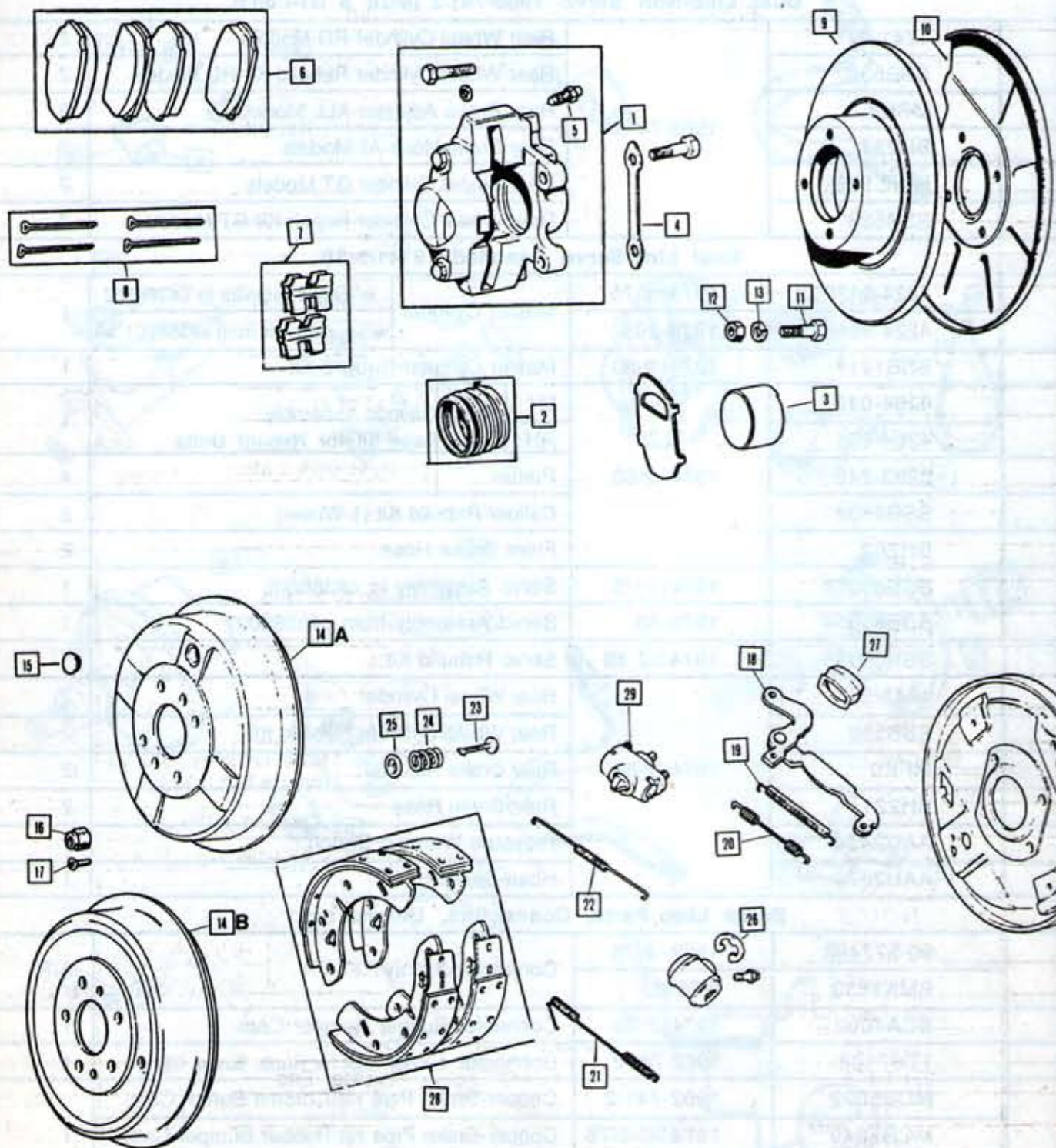
BRAKE HYDRAULICS

No.	Part No.	Year & Description	Qty.
<b>Dual Line-Non Servo 1968-741/2 (MGB &amp; GT-Con't)</b>			
34	4241-575	1968-741/2	Rear Wheel Cylinder-RD Models 2
35	SSB539		Rear Wheel Cylinder Rebuild Kit-RD Models 2
36	MPK6		Rear Brake Adjuster-ALL Models 2
37	BH221		Rear Brake Hose-All Models 2
38	MWC186		Rear Wheel Cylinder GT Models 2
39	SSB528		Rear Wheel Cylinder Repair Kit-GT Models 2
<b>Dual Line-Servo Assisted 19741/2-80</b>			
40	4224-943PT3	19741/2-75	Master Cylinder w/wedge resevoir to c#386600 w/Sq. resevoir from c#386601 on
	4224-964PT3	1976-80	
41	SSB1217	19741/2-80	Master Cylinder Rebuild Kit 1
42	4264-092	19741/2-80	LH Front Caliper Assembly
	4264-091		RH See Page 50 for Rebuilt Units
43	3283-249		Piston 4
44	SSB2602		Caliper Rebuild Kit (1 Wheel) 2
45	BH262		Front Brake Hose 2
46	SSB80008	19741/2-75	Servo Assembly to c#386600 1
47	SSB80054	1976-80	Servo Assembly from c#3866007 1
48	SSB80035	19741/2-80	Servo Rebuild Kit 1
49	4241-575	19741/2-80	Rear Wheel Cylinder 2
50	SSB539		Rear Wheel Cylinder Rebuild Kit 2
51	MPK6		Rear Brake Adjuster 2
52	BH221		Rear Brake Hose 2
53	AAU2454		Pressure Warning Switch 1
54	AAU2071		Hose-Servo 1
<b>Brake Line Parts, Connectors, Unions ect.</b>			
55	90-577490	1962- 9/76	Connector-3-Way A/R
	BMK1833	9/76-80	
56	BCA4002	19741/2-80	Connector-Rubber Bumper Cars 1
57	17H7108	1962-741/2	Connector-4-Way (Not for Rubb. Bump. Cars) 1
58	MCB5022	1962-741/2	Copper-Brake Pipe Kit-Chrome Bump. Cars
	MCB5040	19741/2-9/76	Copper-Brake Pipe Kit-Rubber Bumper Cars
	MCB5050	9/76-80	Copper-Brake Pipe Kit-Rubber Bumper Cars
59	MCB101*	----	Brake Pipe Kit-for Servo (2 Copper Pipes) for Chrome Bump. Cars w/ single Line Brakes 1

\*Servos were optional equipment on single line systems up to 328100 and 328800 cars



MGB



See Page 137 for MGC Brake Rotors and Pads

MGB

FRONT & REAR BRAKES-ROTORS, DRUMS & COMPONENTS

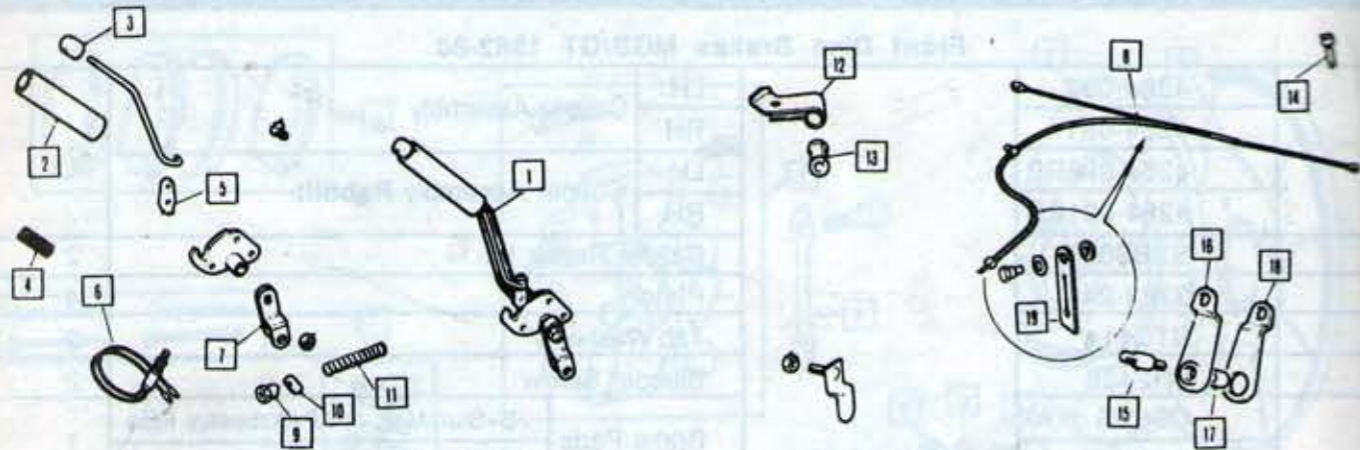
No.	Part No.	Model/Year & Description	Qty.	
<b>Front Disc Brakes MGB/GT 1962-80</b>				
1	4264-092	LH	1	
	4264-091	RH		
	4264-092RB	LH		
	4264-091RB	RH		
2	SSB2602	Caliper Repair Kit	2	
3	3283-249	Piston	4	
4	BTC114	Tab Washer	2	
5	3H2428	Bleeder Screw	2	
6	CS408S or AF	Brake Pads	1	
	CS408M			
7	17H7990	Pad Retainers (Set of 4)	1	
8	GBK1010	Pin-Brake Pad (Set of 4)	1	
9	08-1630-10	Brake Rotor	2	
	DBD101			
10	BTB413	Dust Cover	1	
	BTB412			
11	BTB198	Bolt	8	
12	FNZ506			
13	GHF333			
<b>Rear Brake Drum MGB/GT 1962-80</b>				
14A	BTB338	Brake Drum	2	
14B	BTB706			
15	ACH9373 AHH5514	Plug	2	
				3/4"
		1/2"		
16	GHF225	Nut-Self Locking-Drum Securing-Wire Wheels	8	
17	SF604061	Screw-Countersunk-Drum Securing-Steel Wheels	4	
18	37H2005 37H2006	RH LH	Handbrake Lever	1
19	88-513772	Pull-Off Spring-Handbrake	1	
20	27H6479			
21	17H7994 17H7995	RH LH	Pull-Off Spring	1
22	27H6478	Pull-Off Spring-Adjuster End	2	
23	17H7993	Steady Pin	4	
24	17H7969	Spring	4	
25	17H7971	Cup Washer	4	
26	17H7949	Circlip Securing Wheel Cylinder	2	
27	17H8057	Lever Boot	2	
28	BS94	Brake Shoes	1	
29	MPK6	Brake Adjuster	2	



# BRAKES

## MGB

### HANDBRAKE

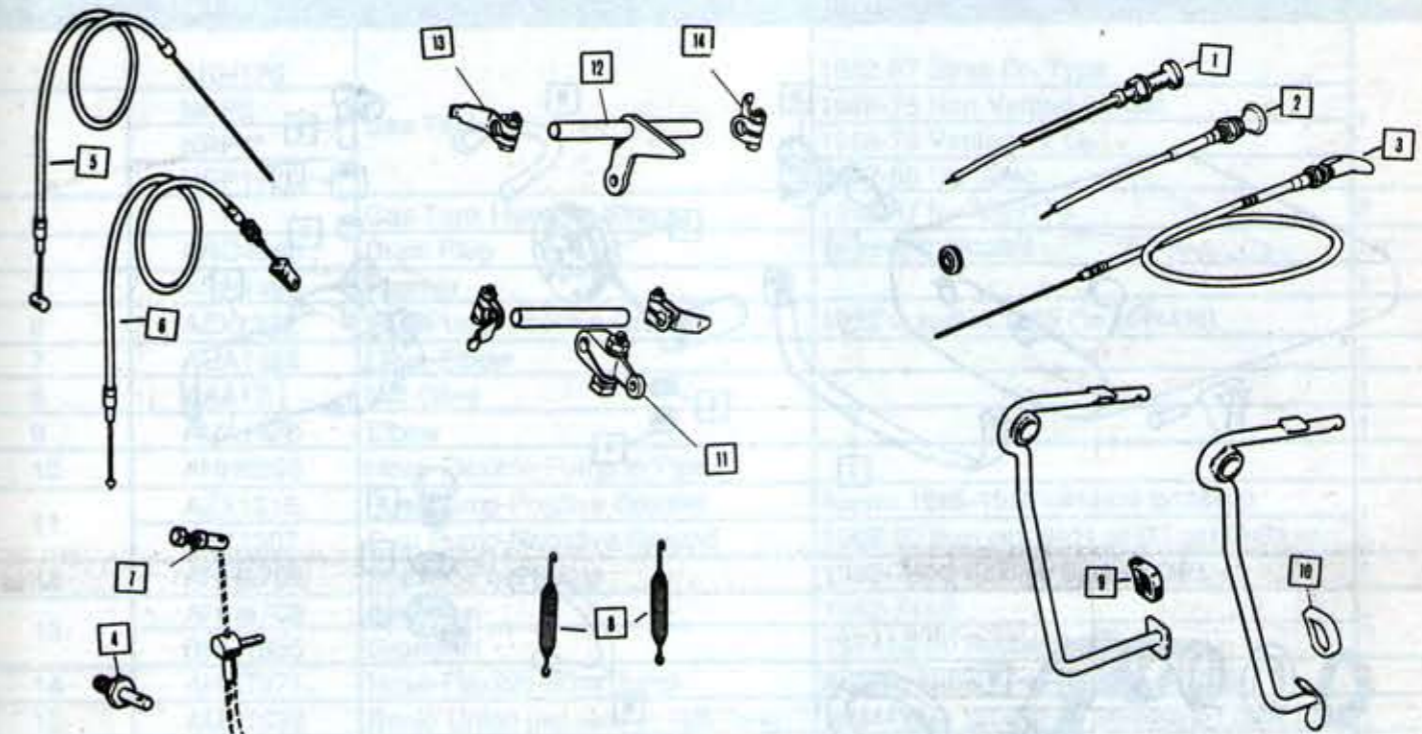


Ill No.	Part No.	Description	Qty.
1	BHH538	Handbrake Assembly	1962-74 1/2-Chrome Bumper Cars
	BHH2503		1974 1/2-80-Rubber Bumper Cars
2	AHH6228	Handbrake Grip	1
3	AHH6228	Knob	1
4	AHC549	Spring	1
5	AHH6232	Pawl	1
6	AAU2492	Handbrake Switch	1
7	AHH6235	Lever	1962-74 1/2-Chrome Bumper Cars
	BHH7469		1974 1/2-80-Rubber Bumper Cars
8	AHH5227	Steel Wheels	Banjo Axle-not GT
	AHH5228	Wire Wheels	
	AHH7391	Steel Wheels	Tube Axle Non-Synchro-Transmission Cars to 1967
	AHH7392	Wire Wheels	
	BC776	Steel Wheels	Chrome Bump. Cars 1968-74 1/2
	BC814	Wire Wheels	
	BC936	Steel Wheels	Rubber Bump. Cars up to c#415000
	BHH1471	Wire Wheels	
BHH2074	Steel Wheels	Rubber Bump. Cars from: c# 415001	
BHH2075	Wire Wheels		
9	ACH5104	Adjuster Nut	1
10	AHH5322	Trunnion	1
11	ACH8508	Spring	1
12	AHH6237	Clip-Cable	1
13	ACH8529	Ferrule	1
14	CLZ513	Clevis Pin	1
15	AHH5025	Fulcrum	1
16	AHH5203	Lever-Compensating-Inner	1
17	AHH5225	Bushing	1
18	AHH5101	Lever-Compensating-Outter	1
19	BHH2136	Plate-Cable to Axle Backplate	1

# CABLES

## MGB

### CABLES-CHOKE & ACCELERATOR, PEDAL PADS ECT.

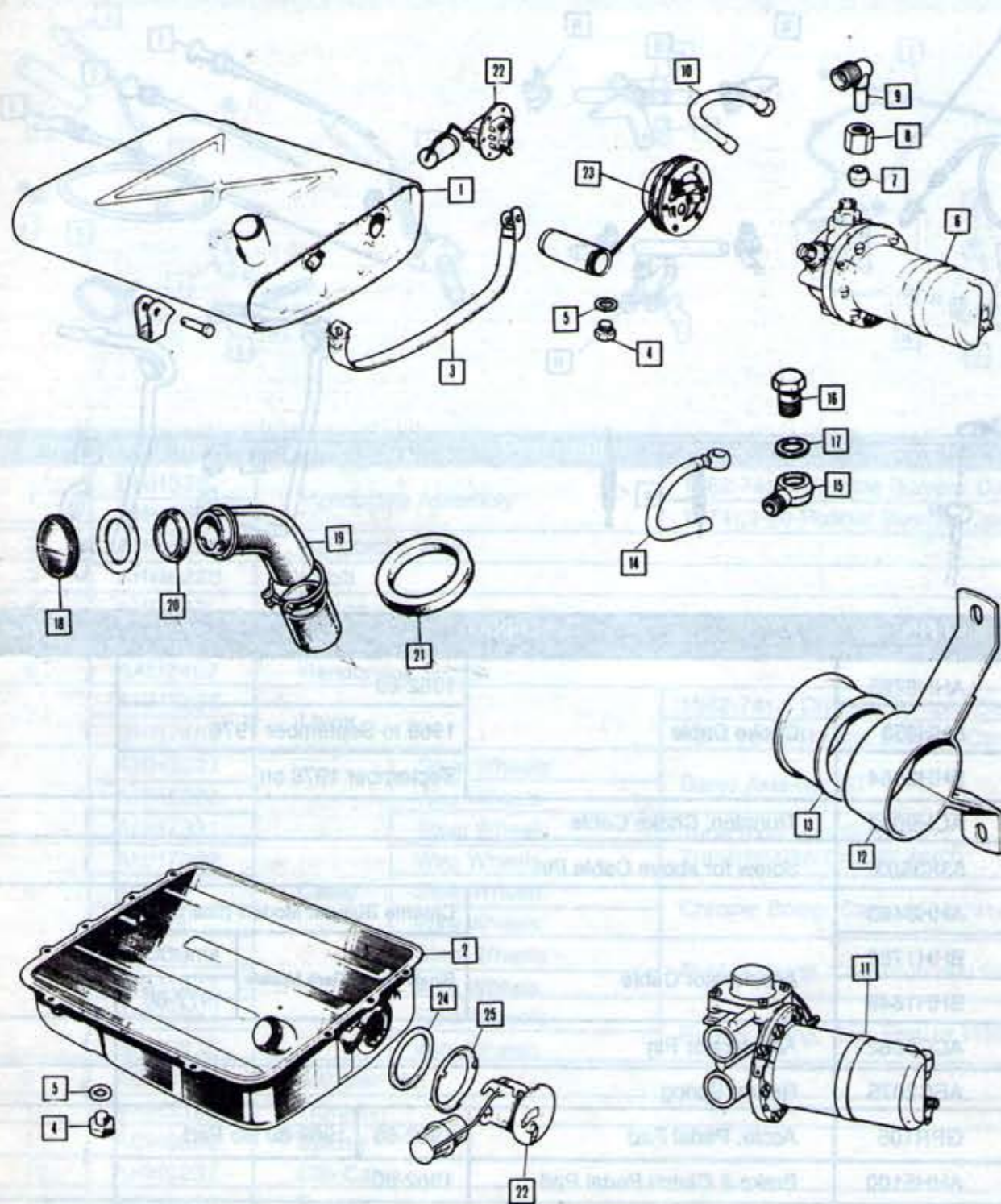


Ill No.	Part No.	Description	Qty.	
1	AHH6725	Choke Cable	1962-69	
2	BHH653		1969 to September 1976	
3	BHH2064		September 1976 on	
4	ACH9042	Trunnion, Choke Cable	1	
4A	53K3503	Screw for above Cable Pin	1	
5	AHH8463	Accelerator Cable	Chrome Bumper Models (Dual Carbs.)	
			Single Zenith Carb Models	8/74-77
				1977-80
6	BHH1782	Accelerator Cable	1	
BHH1649	1			
7	ACC5062	Accelerator Pin	1	
8	AEC2075	Return Spring	3	
9	GPR105	Accle. Pedal Pad	1962-68   1969-80 No Pad	
10	AHH5100	Brake & Clutch Pedal Pad	1962-80	
11	AUC1501	Accelerator Lever	up to 18V581	
12	12H715		from 18V581 on	
13	AUE586*	Front Lever and Pin	1 or 2	
14	AUE587*	Rear Lever and Pin		

\* 1 Required for Rubber Bumper Cars. 2 Required for Chrome Bumper Cars.



MGB



MGB

FUEL TANKS, FUEL PUMPS, GAS CAPS AND VARIOUS COMPONENTS

Ill No.	Part No.	Description	Qty.
1	ARH176	Gas Tank	1962-67 Strap On Type
2	NRP2		1968-76 Non Vented-12 Gal.
	NRP4*		1968-76 Vented-12 Gal.
	NRP1176	1977-80 US Spec.	
3	---	Gas Tank Hanging Straps	1962-67 for ARH176
4	ARO4566	Drain Plug	Where Applicable
5	ARH1499	Washer	
6	AZX1332	Fuel Pump-Positive Ground	1962 to approx.1965 ( to c#44438)
7	AUA1486	Olive-Elbow	
8	AAA17	Nut-Olive	
9	AUA1478	Elbow	
10	AHH6996	Hose-Flexible-Pump to Pipe	
11	AZX1318	Fuel Pump-Positive Ground	Approx.1965-1968 c#44439 to138400
	AZX1307	Fuel Pump-Negative Ground	1968-80 from c#138401 on GT c#139471 on
12	AHH6709	Bracket-Fuel Pump	1962-74 1/2 Chrome Bumper Cars
13	AHH6708	Grommet	1962-74 1/2
	BHH1635	Grommet	1974 1/2-80 Rubber Bumper Cars
14	AHH7371	Hose-Flexible-from Pump	Approx. 1965-77 c#44439 to 415000
15	AUC1833	Banjo Union (not used on R/B Cars)	c#44439 to 1974 1/2 (to 360300) GT (to361000)
16	AUC2698	Bolt-Banjo (not used on R/B Cars)	c#44439 to 1974 1/2 (to 360300) GT (to361000)
17	AUC2141	Washer (not used on R/B Cars)	c#44439 to 1974 1/2 (to 360300) GT (to361000)
18	GZC1505	Gas Cap	1962-1969** Internal Tabs
	GZC1376		1970-80 External Tabs
19	AHH6281	Filler Tube, External Lugs	1962-69 to 187210 GT to 187840
	CHA733	Filler Tube (Straight w/Flap)	1977-80 c#415001 on
20	AHH6268	Filler Neck Ferrule	1962-78 to c#447000
	BHH1937		1978-80 from c#447001 on
21	AHH7388	Seal, Gas Tank to Body	All Models
22	MTU108	Sending Unit to Gauge	1965-77 from c#48766 to 415000
	MTU107		1977-80 from 415001 on
23	2H1082	Seal, Cork for Sending Unit	1962-65 to c#48766
24	ARA1502	Seal, Rubber for Sending Unit	1966-80 from c#48767 on All GT's
25	ARA1501	Locking Ring	1966-80 from c#48767 on All GT's

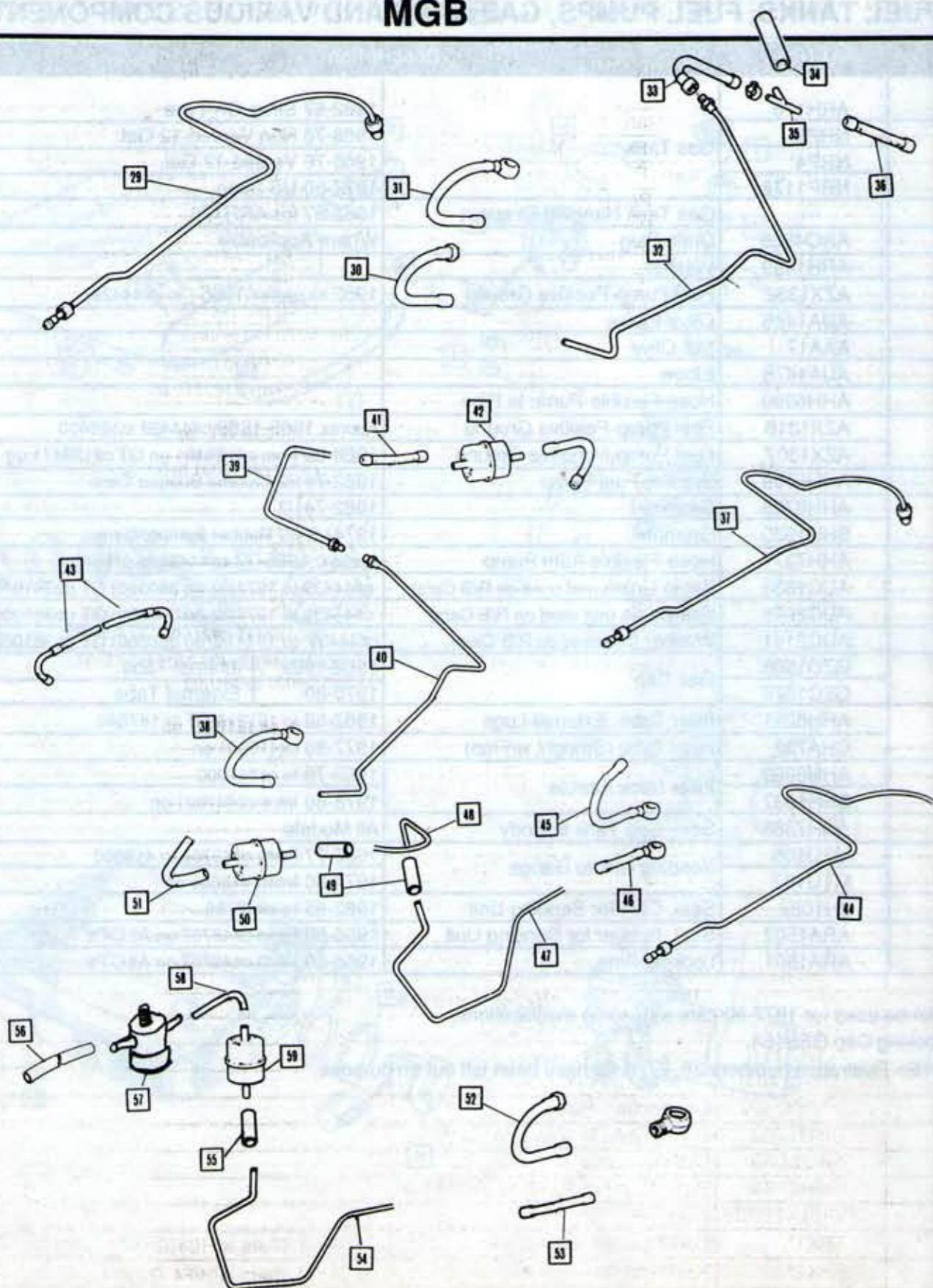
\* Can be used for 1977-80 cars with some modifications.

\*\*Locking Cap GSS154.

NOTE: Illustration numbers 26, 27, & 28 have been left out on purpose.



MGB



MGB

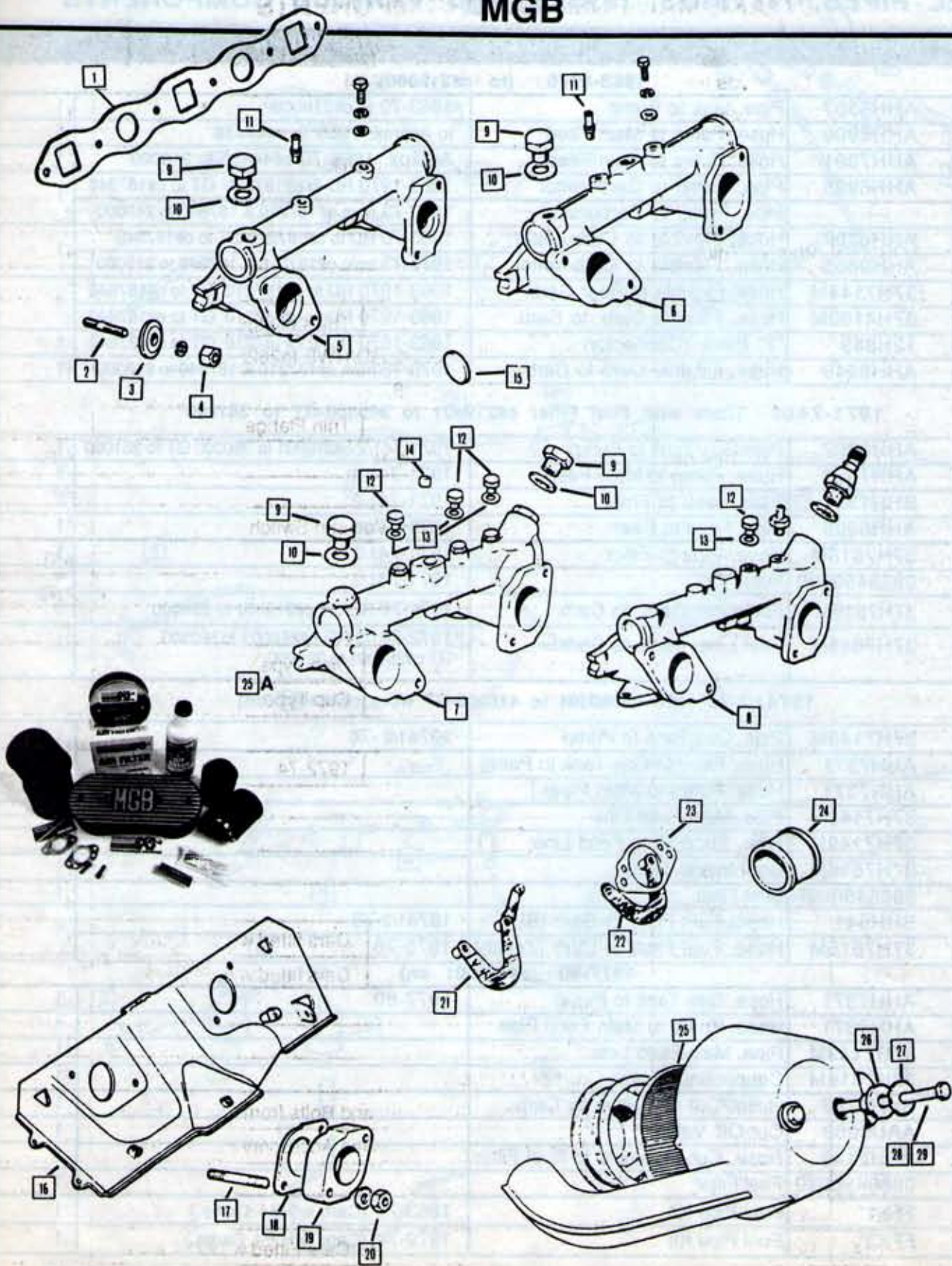
FUEL PIPES, FITTINGS, HOSES AND VARIOUS COMPONENTS

Ill No.	Part No.	Description	Qty.
<b>1963-1970 (to c#219000)</b>			
29	AHH6307	Pipe, tank to Pump	1963-70 to c#219000
30	AHH6996	Hose, Pump to Main Feed	to approx. 1965 to c#44438
31	AHH7391	Hose, Pump to Main Feed	Approx. 1965-70 c#44439 to 219000
32	AHH6995	Pipe, Pump to Carburettor	1963-1970 RD to c#187210 GT to c#187840
	---	Pipe, Pump to Carburettor	1970-73 from c#187210 & 187840 to 219000
33	AHH6707	Hose, Flexible to Carburettor	1963-70 RD to c#187210 GT to c#187840
	AHH9655	Hose, Flexible to Carburettor	1970-73 from c#187210 & 187840 to 219000
34	37H7148M	Hose, Flexible to Rear Carb.	1963-1970 RD to c#187210 GT to c#187840
	37H4160M	Hose, Flexible Carb. to Carb.	1963-1970 RD to c#187210 GT to c#187840
35	12H889	"T" Piece (Connector)	1963-1970 RD to c#187210 GT to c#187840
36	AHH9949	Hose, Flexible Carb to Carb	1970-73 from c#187210 & 187840 to 219000
<b>1971-74 1/2 (Cars with Fuel Filter c#219001 to 360300-GT to 361000)</b>			
37	AHH6307	Pipe, Gas Tank to Pump	1971-74 1/2 c#219001 to 360300 GT to 361000
38	AHH7371	Hose, Pump to Main Feed	1971-74 1/2
39	BHH135	Pipe, Feed to Front	1971-74 1/2
40	AHH6995	Pipe, Feed to Rear	1971-74 1/2
41	37H7616M	Hose, Pipe to Filter	1971-74 1/2
42	0986450999	Fuel Filter	1971-74 1/2
	37H7616M	Fuel Line, Carb. to Carb.	1971-72 RD/GT c#219001 to 258000
43	37H7615M	Fuel Line, Carb. to Carb.	1972-74 1/2 RD c#258001 to 360300 GT c#258001 to 361000
<b>1974 1/2-76 (RD c#360301 to 415000-GT from c#361001 on)</b>			
44	37H7149M	Pipe, Gas Tank to Pump	1974 1/2 -76
45	AHH7371	Hose, Flexible-Gas Tank to Pump	
46	AHH7371	Hose, Pump to Main Pipe	
47	37H7149M	Pipe, Main Feed Line	
48	37H7149M	Pipe, Short Main Feed Line	
49	37H7616M	Connecting Hose	
50	0986450999	Fuel Filter	
51	BHH641	Hose, Fuel Filter to Carb (SU)	1974 1/2-75
	37H7615M	Hose, Fuel Filter to Carb (Zenith)	1975-76
<b>1977-80 (c#415001 on)</b>			
52	AHH7371	Hose, Gas Tank to Pump	1977-80
53	AHH7371	Hose, Pump to Main Feed Pipe	
54	37H7149M	Pipe, Main Feed Line	
55	37H7616M	Connecting Hose	
56	BHH1789	Hose, Cut-Off Valve to Carb.	
57	AAU5050	Cut-Off Valve	
58	BHH2149	Hose, Cut-Off Valve to Fuel Filter	
59	0986450999	Fuel Filter	
---	FFK1*	Fuel Pipe Kit	1963-71 (Cars w/HS4 Carbs.)
---	FFK2*	Fuel Pipe Kit	1972-74 (Cars w/HIF4 Carbs.)

\*Kits contain sufficient copper pipe, hoses and clips to service the complete car. Kit includes a special nut driver for the clips. Please note the kits are not necessarily made up exactly as per original specification in every detail.



MGB



MGB

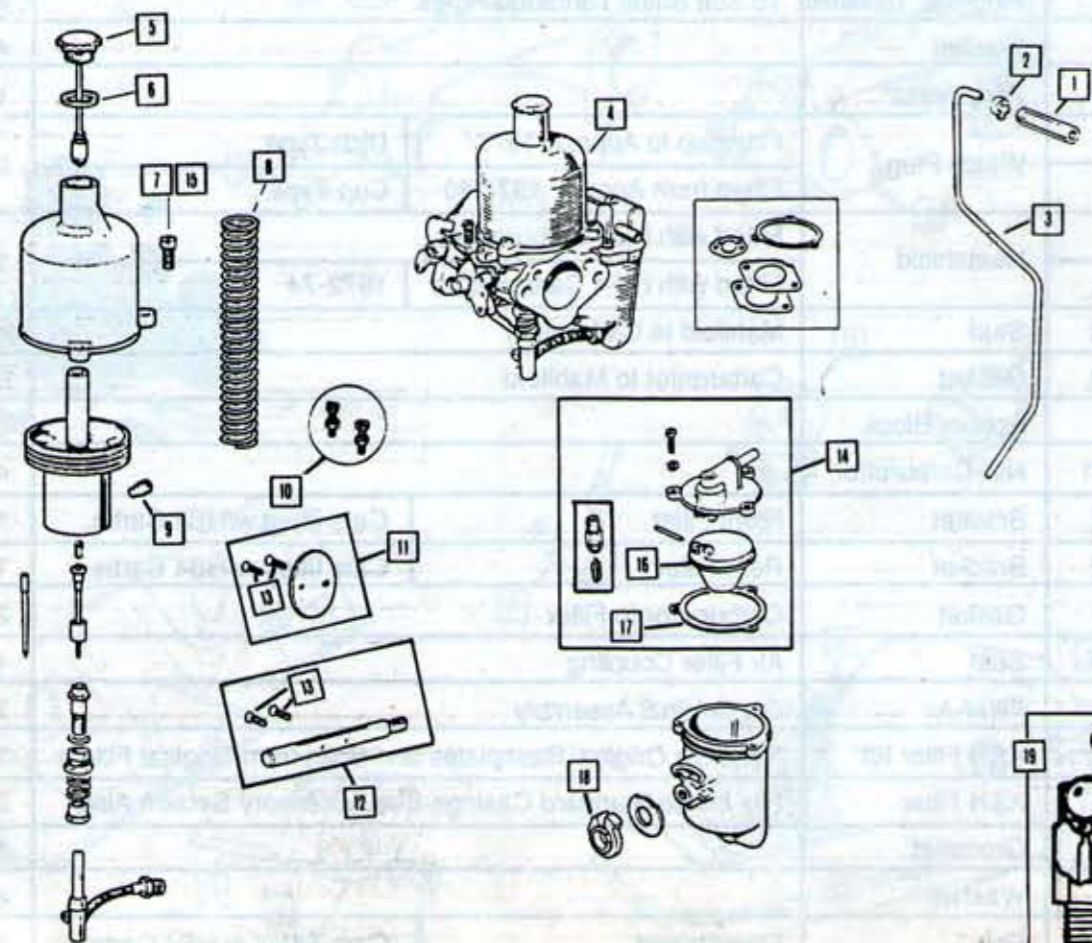
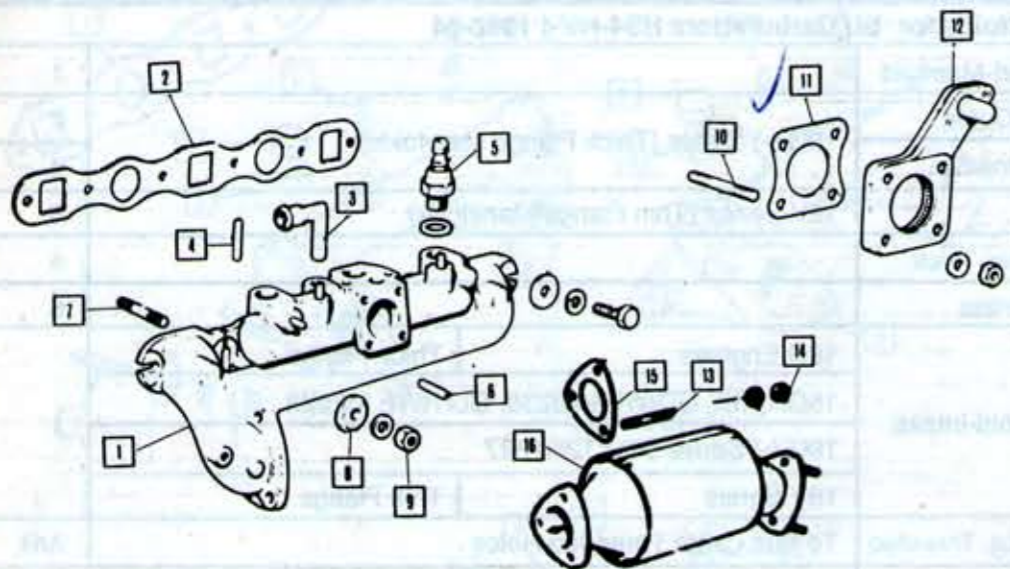
INTAKE MANIFOLDS AND COMPONENTS

Ill No.	Part No.	Description	Year Engine Type	Remarks	Qty.
<b>Manifolds for SU Carburettors HS4-HIF4 1962-74</b>					
1	TJA282	Gasket-Manifold			1
2	FHS2513	Stud-Outer	18G (-) Series (Thick Flange Manifolds)		2
	FHS2515	Stud-Inner			4
	FHS2513	Stud	18V Series (Thin Flange Manifolds)		6
3	1G2418	Washer-Thick			4
4	GHF261	Nut-Brass			6
5	12H911	Manifold-Intake	18G Engines	Thick Flange	1
6	12H1397		18GA, GB, GD/WE to 2238, GD/RWE to 2623		
7	8G767		18G (-) Series after 12H1397		
8	CHM171		18V Series	Thin Flange	
9	ADP210	Plug-Lg. Threaded	To Suit Large Threaded Holes		A/R
10	51K3811	Washer			A/R
11	AHH6962	Adaptor	Non-Syncro Cars Overdrive Vacuum Switch		1
12	12H2572	Plug-Sm. Threaded	To Suit Small Threaded Holes		A/R
13	AEC435	Washer			A/R
14	12H1734*	Plug-Brass			1
15	21K8159	Welch Plug	Fitted up to Approx. 1977	Dish Type	2
	AEA635		Fitted from Approx. 1977-80	Cup Type	
16	12H719	Heatshield	Fitted with HS4 Carburettors		1
	12H3607		Fitted with HIF4 Carburettors	1972-74	
17	CHS2522	Stud	Manifold to Carburettor		4
18	AEC2083	Gasket	Carburettor to Manifold		6
19	1H712	Spacer Block			2
20	NT605041	Nut-Carburettor			4
21	AHH6731	Bracket	Front Filter	Cars fitted w/HS4 Carbs.	1
22	AHH6732	Bracket	Rear Filter	Cars fitted w/HS4 Carbs.	1
23	12G2125	Gasket	Carburettor to Filter		2
24	AHH6465	Seal	Air Filter Coupling		1
25	F8238	Filter-Air	For Original Assembly		2
---	MG240	K&N Filter Kit	Requires Original Baseplates and Bolts from Original Filters		1
---	E240	K&N Filter	Fits Inside Standard Casings-See Accessory Section Also		2
26	BHH1174	Grommet			4
27	PWZ205	Washer			4
28	BH605401A	Bolt	Fine Thread	Cars Fitted w/HS4 Carbs	2
29	BH505361	Bolt	Coarse Thread	Cars Fitted w/HIF4 Carbs	2

\*If 12H1734 is NLA hole may be tapped 5/8" in UNF. ADP210 and 51K3811 will then fit.



MGB



MGB

INTAKE MANIFOLDS CARBURETTORS AND COMPONENTS

No.	Part No.	Description	Change Points	Remarks	Qty.
-----	----------	-------------	---------------	---------	------

Manifolds for Zenith-Stromberg Carburetors 1975-80

1	CAM1313	Manifold	Intake & Exhaust		1
2	CAM1569	Gasket	Manifold		1
3	LAM213	Adaptor	for Gulp Valve		1
4	CAM1232	Adaptor	for Anti-Run On Valve		1
5	ADU1402	Adaptor	for Brake Servo Pipe		1
6	CAM1233	Adaptor	for Pipe		1
7	CHS2513	Stud	Manifold		6
8	1G2418	Washer	Manifold		6
9	GHF261	Nut	Manifold		6
10	CHS2516	Stud	Carburetors to Manifold		4
11	88G429	Gasket	Induction Heater to Manifold		2
12	LZX1583	Induction Heater			1
13	TE505111	Stud	Manifold to Converter		3
14	GHF261	Nut			3
15	CAM1172	Gasket			1
16	GEX6097	Cat. Converter			1

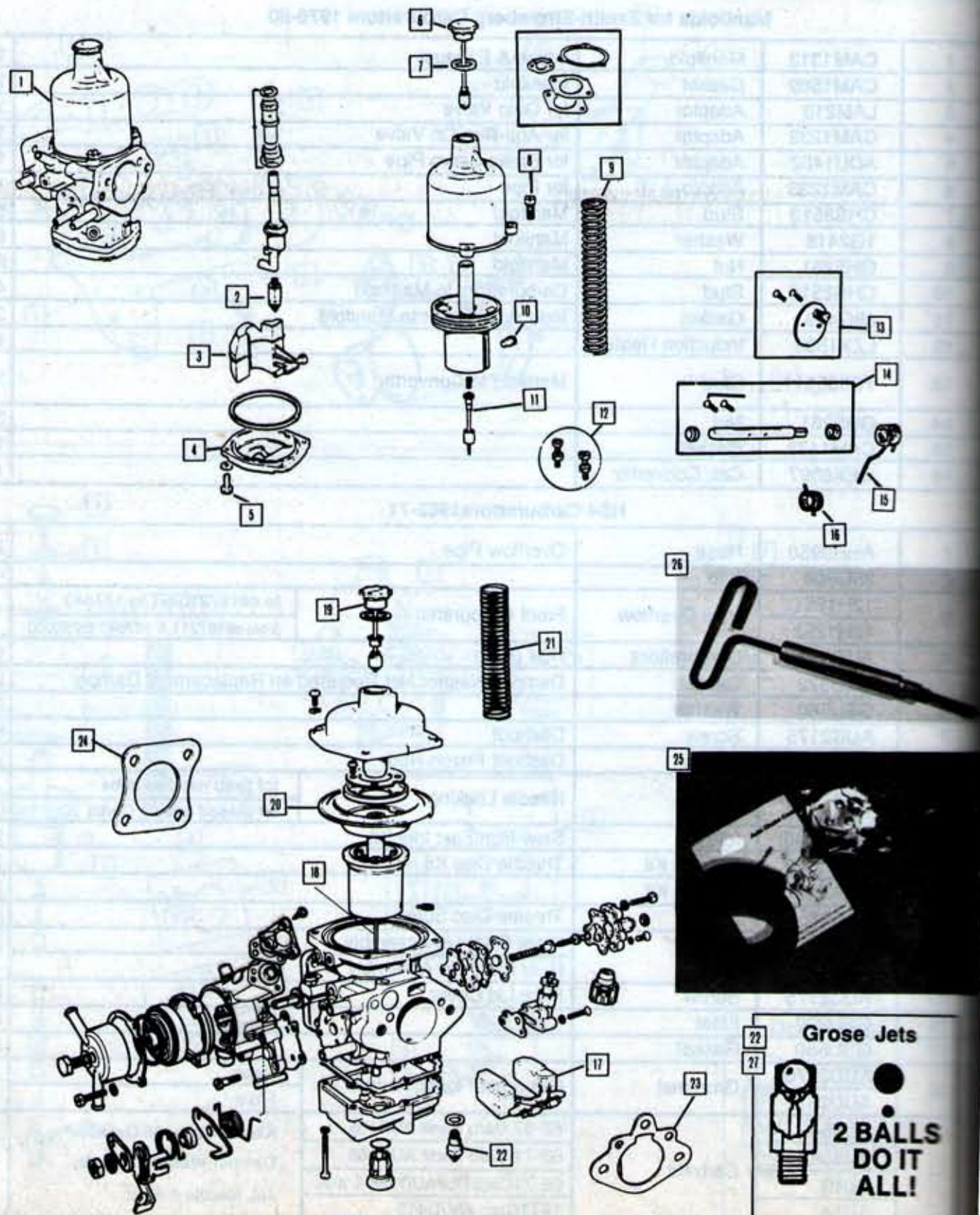
HS4 Carburetors 1962-71

1	AHH9950	Hose	Overflow Pipe		2
2	88G308	Clip			4
3	12H1251	Pipe Overflow	Front Carburettor	to c#187210 GT to 187840	1
	12H1252			from c#187211 & 187841 to 258000	
4	AUD492	Carburetors	HS4 (Pair)		1
5	GSU322	Damper	Damper Washer Not Required on Replacement Damper		2
6	GSU560	Washer			2
7	AUC2175	Screw	Dashpot		6
8	AUC4387	Spring	Dashpot Piston-Red		2
9	AUC2057	Screw	Needle Locking	for fixed needle Carbs	2
	AUD4251			for biased needle Carbs	
10	WZX1140	Idle Kit	Slow Run/Fast Idle Kit		2
11	WZX1323	Throttle Kit	Throttle Disc Kit		2
12	WZX1177	Spindle Kit			2
13	AUC1358	Screw	Throttle Disc Screw		4
14	AUE278	Lid	Front Float Lid Assembly		1
	AUE279		Rear Float Lid Assembly		
15	AUC2175	Screw	Float Lid Cover		6
16	GSU200	Float			2
17	GSU550	Gasket			2
18	AUD2676	Grommet	Grommet-Float Chamber	Rear	1
	AUD2677			Front	
---	SU554	Carb Kit	62-67 Carb Part# AUD135	Kits Contain: All Gaskets, Damper Washer, Needle, Jet, Needle & Seat.	1
	SU864		68-71 Carb Part# AUD265		
	SU13		68-71 Carb Pt.#AUD326 & 405		
	SU14		1971 Carb #AUD465		
19	SU301	Grose Jet	Alternative to Needle and Seat		2



# FUEL SYSTEM

## MGB



# FUEL SYSTEM

## MGB

### CARBURETTORS AND COMPONENTS

Ill No.	Part No.	Description	Change Points/Remarks	Qty.	
<b>HIF Carburetors 1972-74</b>					
1	AUD616	Carburetors	w/AAU Needle-Pair	Fits All HIF Applications	1
2	GSU101	Needle & Seat	Alternative Grose Jet Part No. SU303		2
3	GSU206	Float	Front		1
	GSU205		Rear		
4	AUD4207	Cover	Float Chamber		2
5	AUD3590	Screw	Float Chamber Cover		8
6	GSU322	Damper	Damper Washer	N/R on Replacement Damper	2
7	GSU560	Washer	Damper		2
8	AUC2175	Screw	Dashpot		6
9	AUC4387	Spring	Dashpot Piston	Red	2
10	AUD4251	Screw	Needle Locking		2
11	CUD1018	Needle	AAU		2
12	WZX1436	Adjust. Screw	Slow Run/Fast Idle Kit	AUD434 Carbs	2
	WZX1435			AUD616, FZX1001 Carbs	
	WZX1439			FZX1229 Carbs	
13	WZX1323	Disc	Throttle Disc Kit	AUD434 Carbs	2
	WZX1329			AUD616, FZX1001 & 1229	
14	WZX1170	Spindle	Throttle Spindle Kit		2
15	AUD4273	Spring	Throttle Return Spring	Front	1
	AUD4272			Rear	
16	AUD4418	Spring	Choke Return Spring	Front	1
	AUD4417			Rear	
---	SU15	Carb Kit $\Delta$	1972	AUD493 Carbs	2
	SU16		1972-74	AUD550 Carbs	
<b>Stromberg-Zenith Carburetors 1975-80</b>					
17	B19470	Float			1
18	131-45G	Needle	1975-76	Federal Cars	1
	131-45H		1975-76	California Cars	
	131-45H		1977-80	All States	
19	B20044	Damper Assy.	Altern. Grose Jet Part No. EZ401 1975-80	Alt.# (131-8041)	1
20	CD201PP	Diaphragm		Available in Kit also	1
21	131-8028	Piston Spring		Return Spring	1
22	131-8011F	Needle & Seat		Available in Kit also	1
23	BHH1992	Gasket		Air Cleaner to Carb.	1
24	88G429	Gasket		Carb Mounting	1
25	0002	Choke Kit**		See Footnote	1
26	0006	Adj. Tool		Stromberg Adjusting Tool	1
27	EZ401	Gross Jets		Replacement needle and seat	1
---	ZE15K	Carb. Kit $\Delta$			
---	WWN7*	Carb. Conv.		See Footnote	1

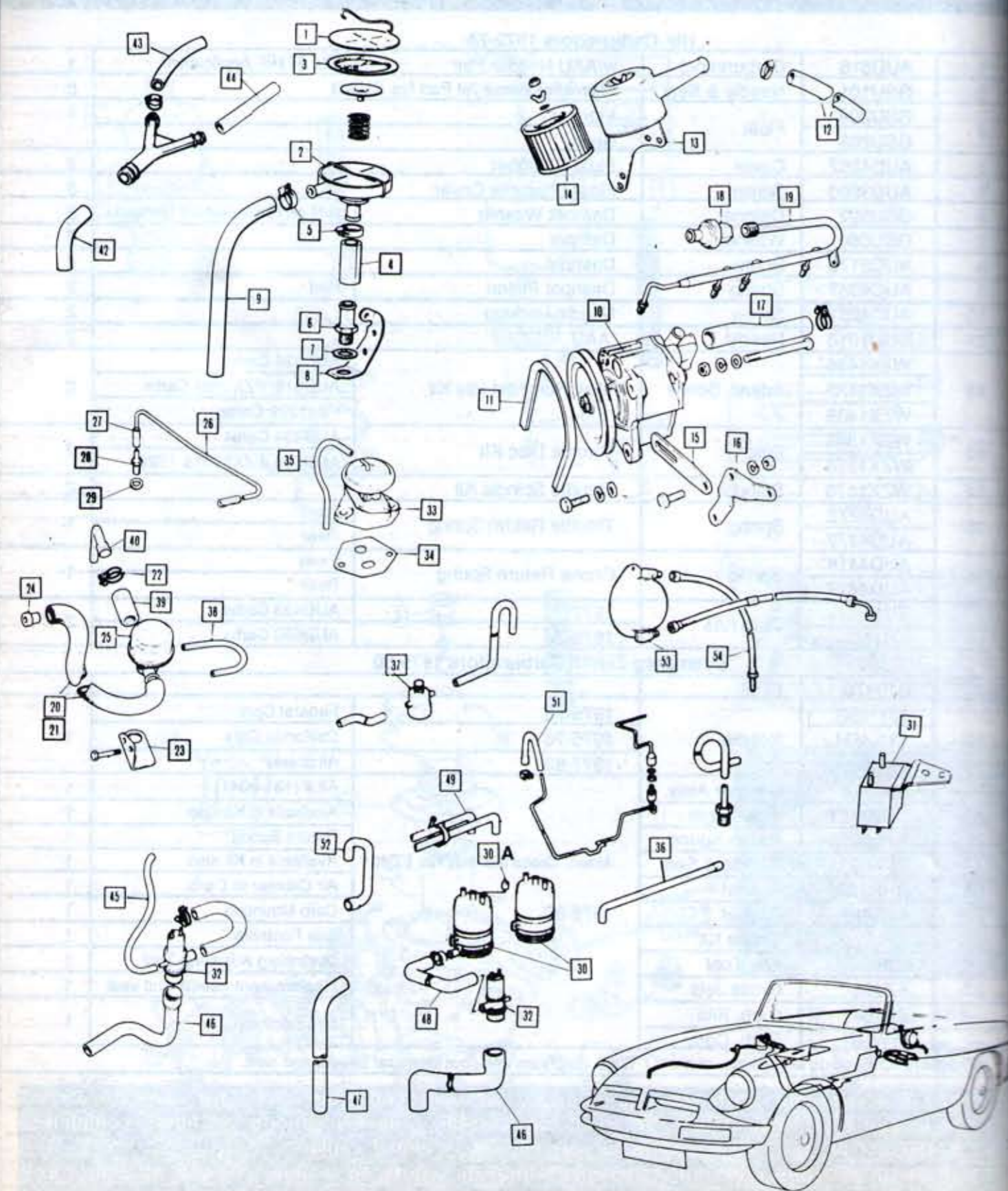
$\Delta$ Our Carb Kits include all gaskets, seals, "O" rings, diaphragm and float chamber needle and seat.

\*WWN7 Convert your Stromberg Carburetors with our conversion kit. Kit consists of two Hitachi carburetors (imitates 1972 dual carb set-up), intake manifold, air filters complete, and exhaust header. Only additional part needed is choke cable.

\*\*Manual Choke conversion kit. Converts Automatic choke to manual choke. All Hardware and instructions are included.



MGB



MGB

AIR PUMP, VALVES, & MISCELLANEOUS EMISSION COMPONENTS

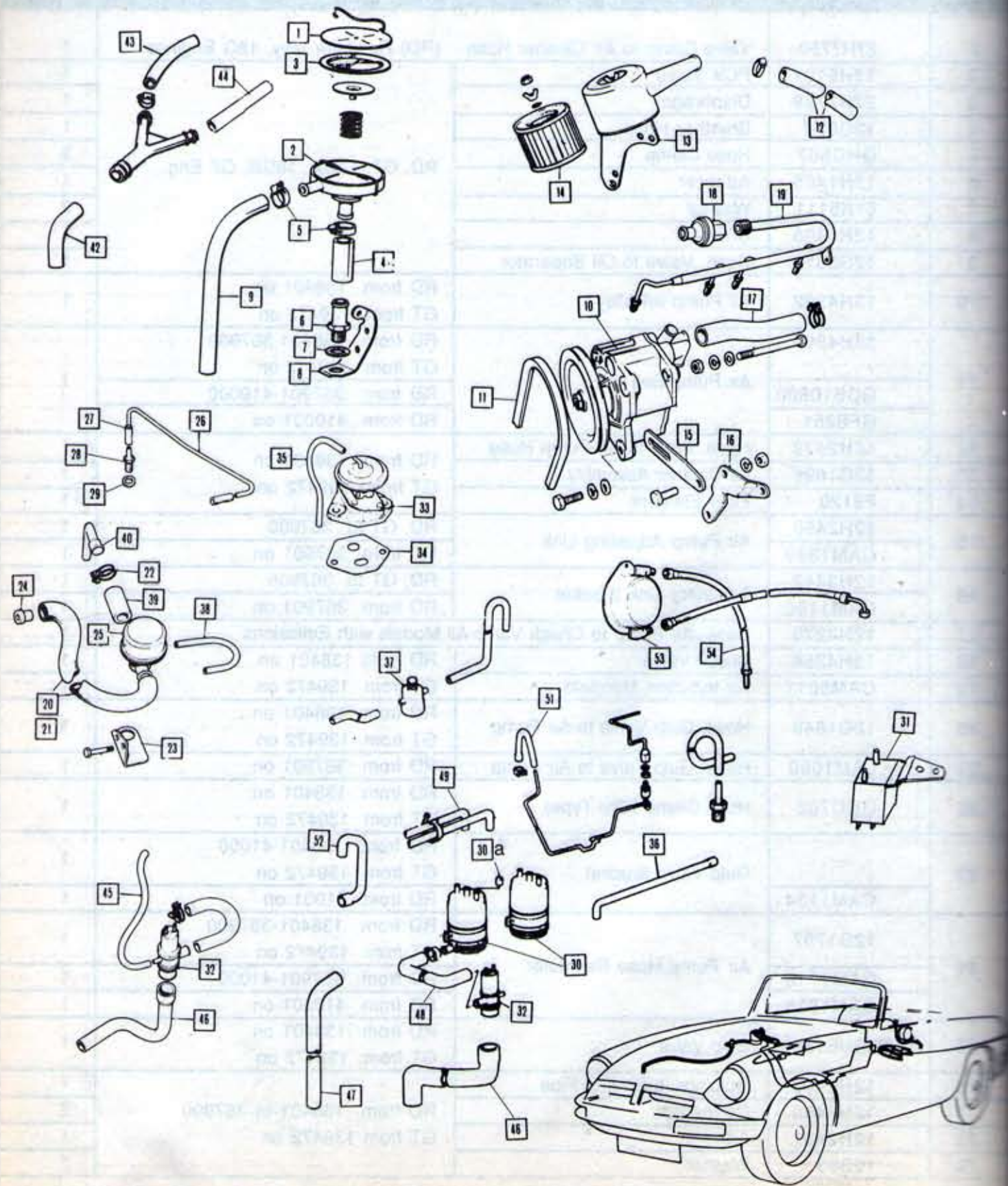
Ill No.	Part No.	Description	Car No. or Eng. Reference	Qty.
1	27H7759	Valve Cover to Air Cleaner Hose	(RD) Roadster only, 18G Engines	1
2	13H5191	PCV Valve	RD, GT, 18GA, 18GB, GF Eng.	1
3	27H7758	Diaphragm		1
4	12G610	Breather Hose		1
5	GHC507	Hose Clamp		3
6	12H1405	Adaptor		1
7	51K5111	Washer		2
8	12H1406	Bracket		1
9	12G581	Hose, Valve to Oil Separator		1
10	13H4322	Air Pump w/Pulley		RD from 138401 on GT from 139472 on
11	13H4367	Air Pump Belt	RD from 138401-367900 GT from 139472 on	1
	GCB10800		RD from 367901-410000	
	GFB251		RD from 410001 on	
12	12H2479	Hose, Filter to Air Pump Hose	RD from 138401 on GT from 139472 on	1
13	12G1696	Air Cleaner Assembly	RD from 138401 on GT from 139472 on	1
14	F9120	Filter Element		1
15	12H2450	Air Pump Adjusting Link	RD, GT to 367900	1
	CAM1389		RD from 367901 on	1
16	12H2448	Adjusting Link Bracket	RD, GT to 367900	1
	CAM1190		RD from 367901 on	1
17	12H4270	Hose, Air Pump to Check Valve-All Models with Emissions		1
18	13H4358	Check Valve	RD from 138401 on	1
19	CAM5011	Air Injection Manifold	GT from 139472 on	1
20	12G1648	Hose, Gulp Valve to Air Pump	RD from 138401 on GT from 139472 on	1
21	LAM1050	Hose, Gulp Valve to Air Pump	RD from 367901 on	1
22	GHC702	Hose Clamp (Clip Type)	RD from 138401 on GT from 139472 on	1
23	---	Gulp Valve Bracket	RD from 138401-41000 GT from 139472 on	1
	CAM1134		RD from 41001 on	1
24	12G1797	Air Pump Hose Restrictor	RD from 138401-367900 GT from 139472 on	1
	CAM1716		RD from 367901-41000	1
	CAM1825		RD from 410001 on	1
25	13H6189	Gulp Valve	RD from 138401 on GT from 139472 on	1
26	12H2460	Gulp Valve Control Pipe		1
27	12H2480	Connector	RD from 138401 to 367900	2
28	12H2461	Adaptor	GT from 139472 on	1
29	12B63	Washer		2

To save space we deleted the alpha-numeric prefixes from change points in this section. They have no bearing on application.



# EMISSION CONTROL

## MGB



# EMISSION CONTROL

## MGB

### AIR PUMP, VALVES, & MISCELLANEOUS EMISSION COMPONENTS

No.	Part No.	Description	Car (C#) No. or Eng. Reference	Qty.
30	FAM1388	Carbon Cannister* * 2-Req.from 447001 on	RD from 187211 on GT from 187481 on	1 or 2*
30A	ADU1354	Carbon Cannister Cap	RD from 447001 on	1
31	BAU1074A	TCSA Valve	RD from 415001 on	1
32	76568	Anti Run-On Valve	RD from 294251 on GT from 296001 on	1
33	CAM1157	EGR Valve	RD from 367901 on	1
34	CAM1158K	Gasket for Above		1
35	CAM1336	Signal Hose for EGR Valve		1
36	---	Breather Hose		1
37	AAU5050	Fuel Cut-off Valve	RD from 415001 on	1
38	CAM1164	Signal Hose-Gulp Valve	RD from 367901 on	1
39	12H3103	Hose-Gulp Valve to Manifold	RD from 138401 to 367900 GT from 139472 on	1
	CAM1161		RD from 367901 on	1
40	LAM23	Adaptor for Intake Manifold	RD & GT Engines with SU Carburettors. Eng.#'s 18GH/GH/V	1
41	12G3134	"Y" Connector		1
42	AHH9288	Hose to Connector		1
43	AHH9288	Hose to Rear Carburettor		1
44	AHH9289	Hose to Front Carburettor		1
45	37H6844M	Hose to Anti Run-On Valve	RD from 294251 to 360300 GT from 296001 on	1
	BHH1053		RD from 360301 on	1
46	12H4345	Hose to Run on Valve Vent	RD from 294251 to 386600 GT from 296001 on	1
	BHH1851		RD from 3386601 to 415000	
	BHH2161		RD from 415001 on	
47	AHH9947	Carbon Cannister Breather Hose	RD from 187211 to 294250 GT from 187841 to 296000	1
48	BHH1026	Hose-Run-on to Carbon Can.	RD from 187211 to 360300 GT from 187841 to 361000	1
	BHH1640		RD from 360301 on GT from 361001 on	
49	---	Hose from Carbon Can. to Carb.	RD from 187211 to 367900 GT from 187841 on	1
	---		RD from 367901 on	
50	BHH103	Hose to Valve Cover	RD from 187211 to 447000 GT from 187841 on	1
	BHH2223		RD from 447001 on	
51	BHH102	Hose to Carbon Cannister	RD from 187211 on GT from 187841 on	1
52	BHH2216	Hose Between Carbon Cannister	RD from 447001 on	1
53	ARH302	Vapor Separator	RD 187211 to 360300 GT 187841 to 361000	1
	BHH1626		RD 360301on GT 361001 on	
54	BHH196	Hose from Separator to Pipe	RD 187211 to 360300 GT 187841 to 361000	1
	BHH1625		RD 360301 to 410000 GT 361001 on	
	37H6844M		RD 410001 on	



# FILTERS

## MGB & MIDGET

### OIL, AIR & FUEL FILTERS

Top Loading



Bottom Loading



Model & Year

Oil

Air

Fuel

Unipart

Standard

Unipart

Standard

Model & Year	Oil Unipart	Oil Standard	Air Unipart	Air Standard	Fuel
MG TD/TF 1952-53	----	F2823-Felt	----	----	----
MGA 1600 Twin Cam 1955-62	GFE102	F4610-Paper	----	----	----
MGA 1955-61	GFE102	F4610-Paper	----	----	----
MGB 1962-63	GFE102	F4610-Paper	GFE1003	F8238	0986450999
MGB/GT 1963-70	----	F2823-Felt			
MGB/GT 1970-73	GFE121	F5534			
MGB/GT 1974-75	GFE148*	WA712*	GFE1062	F7344	
MGB/GT 1974-80	GFE121**	F5534**			
MGC/GT 1968-69	GFE104	F4619	----	F9116	----

\*Bottom Loading

\*\*Top Loading

\*\*\*2-Each Required

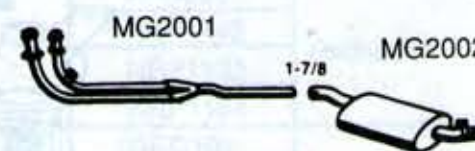
# UNIPART

# EXHAUST

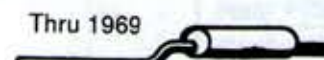
## MGB, (MGC)

### EXHAUST SYSTEMS, MOUNTS, & MANIFOLDS

MGB, GT 1962-6/74



MG2003 (to ch.#187841)



MG2687 (from ch.#187842 on)



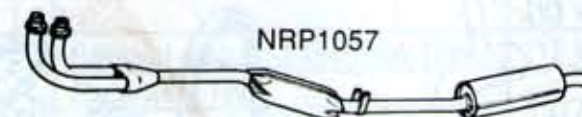
GEX7442



Fitting Kit

BMK16

MGB 7/74-9/76

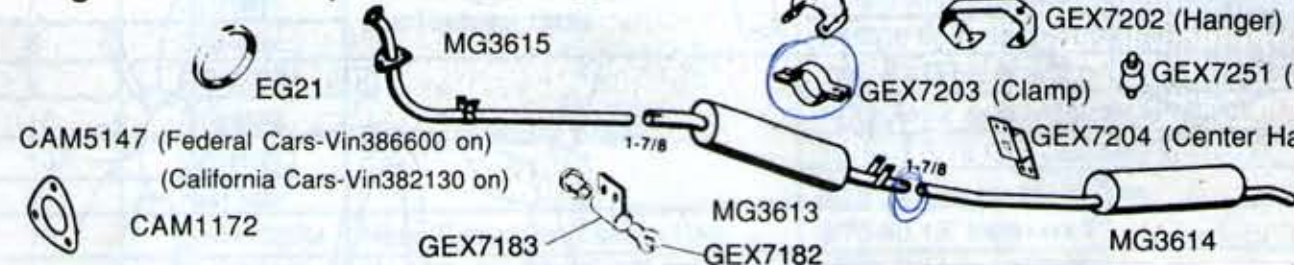


MG3612

Downpipe from 7/74-9/76 for cars with single carb and no catalytic converter.

EG21

MGB 9/76-80 (Cars with Catalytic Converter) Single Carburetor, Unleaded Fuel



Fitting Kit

BMK22

MGC, GT 1967-69



Ill No.	Part No.	Description	Qty.	Exhaust Manifolds	
				<b>ALL Models 1962-75</b>	
1	GEG602	Gasket	1		1965-75
2	12H709	Manifold (18G) Thick Flange	1		
3	FHS2513	Stud-Manifold to Head-Outer	2		
	FHS2515	Stud-Manifold to Head-Inner	4		
4	12H3911	Manifold (18V) Thin Flange	1		
5	FHS2513	Stud-Manifold to Head	6		
6	1G2418	Washer-Thick	4		
7	GHF261	Nut-Brass	6		
8	GEG753	Donuts	2		
9	CHS2513	Stud-Downpipe	6		
10	GHF261	Nut-Brass	6		1976-80
11	GEX7189	Bracket-Non Synchro Cars	1		
	GEX7190	Bracket-Synchro C/B Cars			
	BHH1542	Bracket-Synchro R/B Cars			

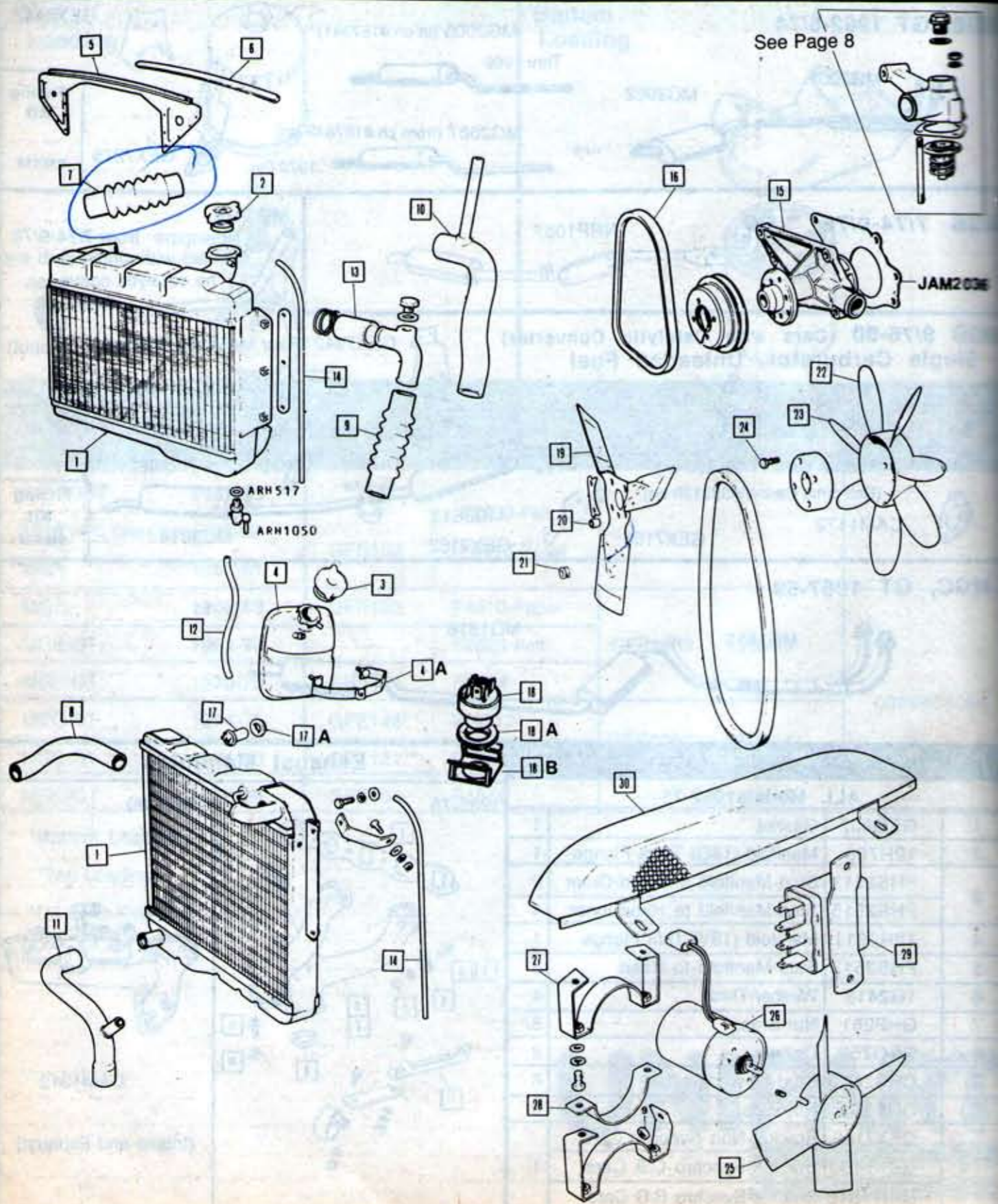
CAM1313

(Intake and Exhaust)



# COOLING SYSTEM

## MGB



# COOLING SYSTEM

## MGB

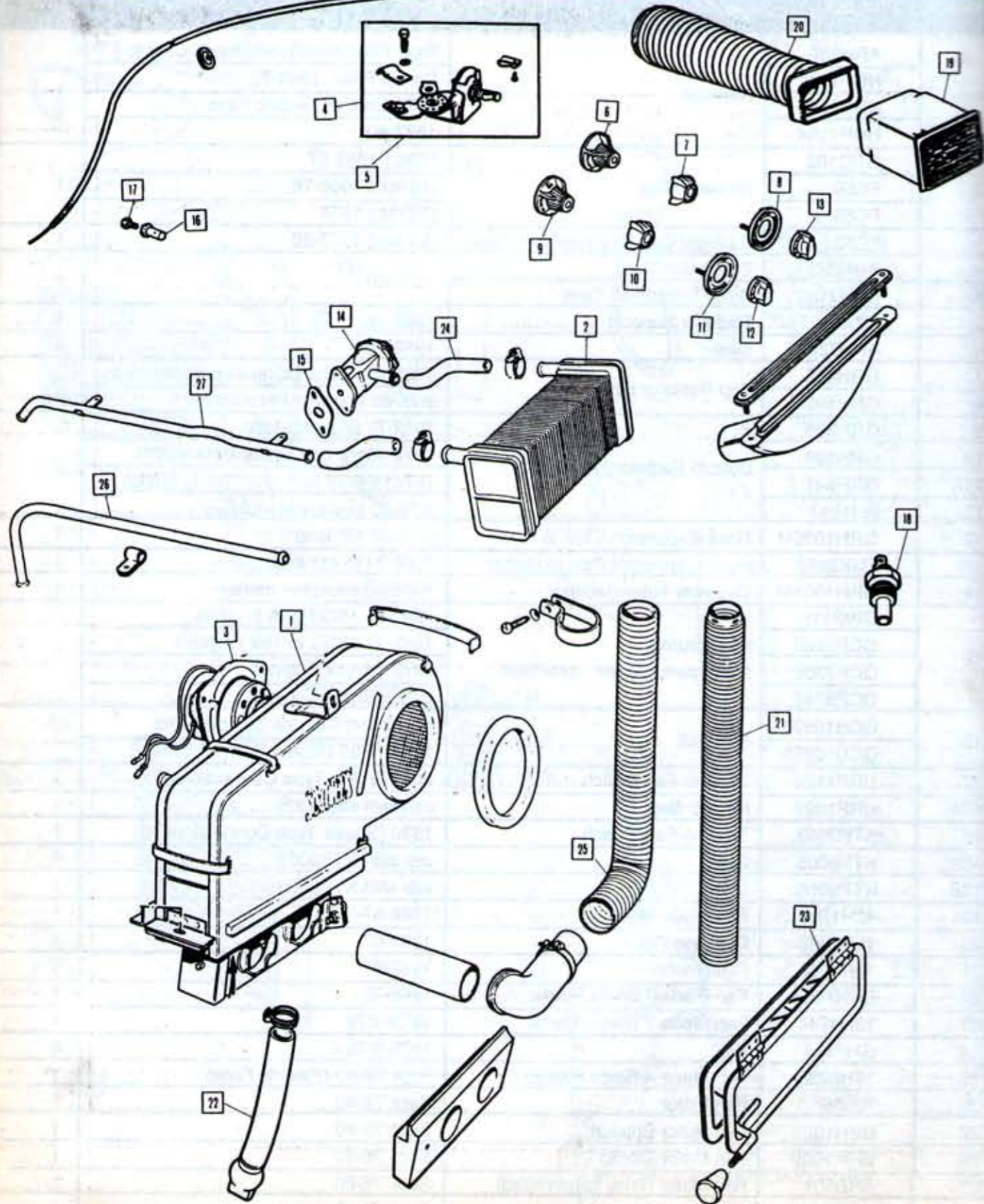
### RADIATORS, HOSES, FAN BELTS, WATERPUMPS, FAN SENSORS ECT

No.	Part No.	Description	Qty.
1	ARH260	Radiator	Rear Filler-Non-Syncromesh Cars to 67
	NRP1142		Center Filler- 1968-76
	NRP1153		1976 Cars w/ Electric Fans
	NRP1154		1977-80
2	GRC102	Radiator Cap	(7lbs.) 1962-67
	FC50		(10 lbs.) 1968-76
	FC55		(13 lbs.) 1976
3	FC53	Radiator Cap for Expansion Tank	(15 lbs.) 1977-80
4	ARH250	Expansion Tank	1977-80
4A	BHH2132	Strap-Expansion Tank	
5	HZA2327	Radiator Support	1962-76
6	AHH7205	Seal	1962-76
7	GRH305	Top Radiator Hose	1962-76 not including electric fan cars
8	GRH592		9/76-80 from car #410001 on
9	GRH305	Bottom Radiator Hose	1962-71 to car #258000
10	GRH498		1972-74 1/2 from c#258001 to 360301
10A	GRH641		1974 1/2-8/76 from c#360302 to 410000
11	RH1511		9/76-80 from car #410001 on
12	GRH1005M	Hose-Expansion Tank to Rad.	9/76-80 13" long
13	FMK8859	Hose-Connector Pipe to Pump	1962-71 to car #258000
14	GRH1001M	Overflow Tube-Radiator	1962-80 (Sold per meter)
15	GWP115	Waterpump (Waterpump Gasket JAM2036)	1962-64 18G/18GA Engines
	QCP556E		1965-71 18GB to 18V Engines
	QCP738E		1972-74 18V Engines
	QCP974E		1975-80 18V Engines
16	GCB10900	Fan Belt	to 1974 1/2 Chrome Bumper Cars
	GCB10950		1974 1/2-80 Rubber Bumper Cars
17	URP1126	Thermo-Fan Switch	to 1979 (Pin Type Connections)
17A	URP1027	Rubber Seal	use with URP1126
18	KTP9003	Thermo-Fan Switch	1980 (Spade Type Connections)
18A	KTP9005	Seal	use with KTP9003
18B	KTP9006	Clip	use with KTP9003
19	12H1058	Fan Blade-Metal	1962-67
20	12H1062	Distance Piece	1962-67
21	12H1060	Grommets	1962-67
22	BHH1604	Fan Blade-7 Blade Plastic	1968-70
23	12H4744	Fan Blade-7 Blade Plastic	1973-9/76
24	GHF117	Bolt	1973-9/76
25	13H8238	Fan Blade-4 Blade Plastic	Sept '76-80 (Electric Fans)
26	78586	Fan Motor	Sept '76-80
27	BHH1028	Fan Motor Bracket	Sept '76-80
28	BHH1029	Fan Motor Clamp	Sept '76-80
29	SRB501	Fan Motor Relay (when fitted)	Sept '76-80
30	BHH1305	Fan Motor Guard	Sept '76-80



# HEATING SYSTEM

## MGB



# HEATING SYSTEM

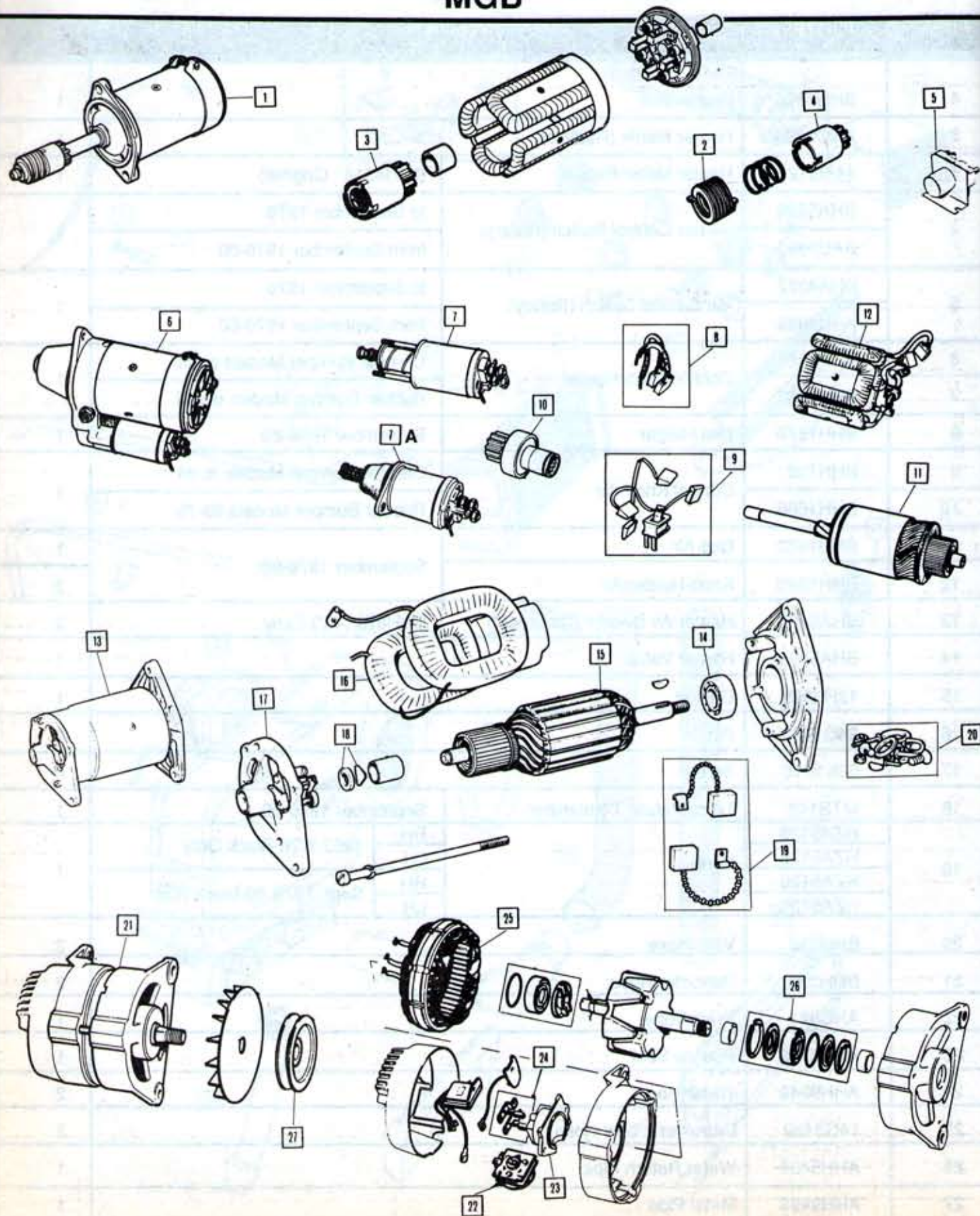
## MGB

### HEATER VALVES, HOSES AND VARIOUS COMPONENTS ECT.

Ill No.	Part No.	Description	Qty.
1	BHH1865	Heater Box	1
2	ARO1994	Heater Matrix (Radiator)	1
3	44-0012	Heater Motor-Rebuilt	(37H4214 Original) 1
4	BHA5226	Heater Control Switch (Rotary)	to September 1976
	AAU1995		from September 1976-80
5	BHA4327	Air Control Switch (Rotary)	to September 1976
	AAU1996		from September 1976-80
6	BHA4328	Control Knob-Heater	Chrome Bumper Models to 68
7	BHH1687	Control Knob-Heater	Rubber Bumper Models 69-76
8	BHH1870	Dial-Heater	September 1976-80
9	BHH738	Control Knob-Air	Chrome Bumper Models to 68
10	BHH1688	Control Knob-Air	Rubber Bumper Models 69-76
11	BHH1873	Dial-Air	September 1976-80
12	BHH1866	Knob-Heater/Air	2
13	BHA5407	Heater/Air Control Cable (41")	BHH678 (46") Early 2
14	BHA5298	Heater Valve	1
15	12H3868	Gasket	1
16	24G1482	Pin	4
17	53K1016	Screw	4
18	MTS142	Temperature Transmitter	September 1976-80 1
19	HZA5128	Vent	RH
	HZA5129		LH
	HZA5128		RH
	HZA5129		LH
			1962-9/76-Black Only
			Sept. 1976-80-Black Rim
20	BHH613	Vent Hose	2
21	BHH390	Defroster Hose	2
22	AHC321	Drain Tube	1
23	AHH6166	Rubber Seal	1
24	AHH9948	Water Hose	2
25	14G3499	Defroster Elbow Hose	2
26	AHH5435	Water Return Pipe	1
27	AHH9498	Metal Pipe	1



MGB



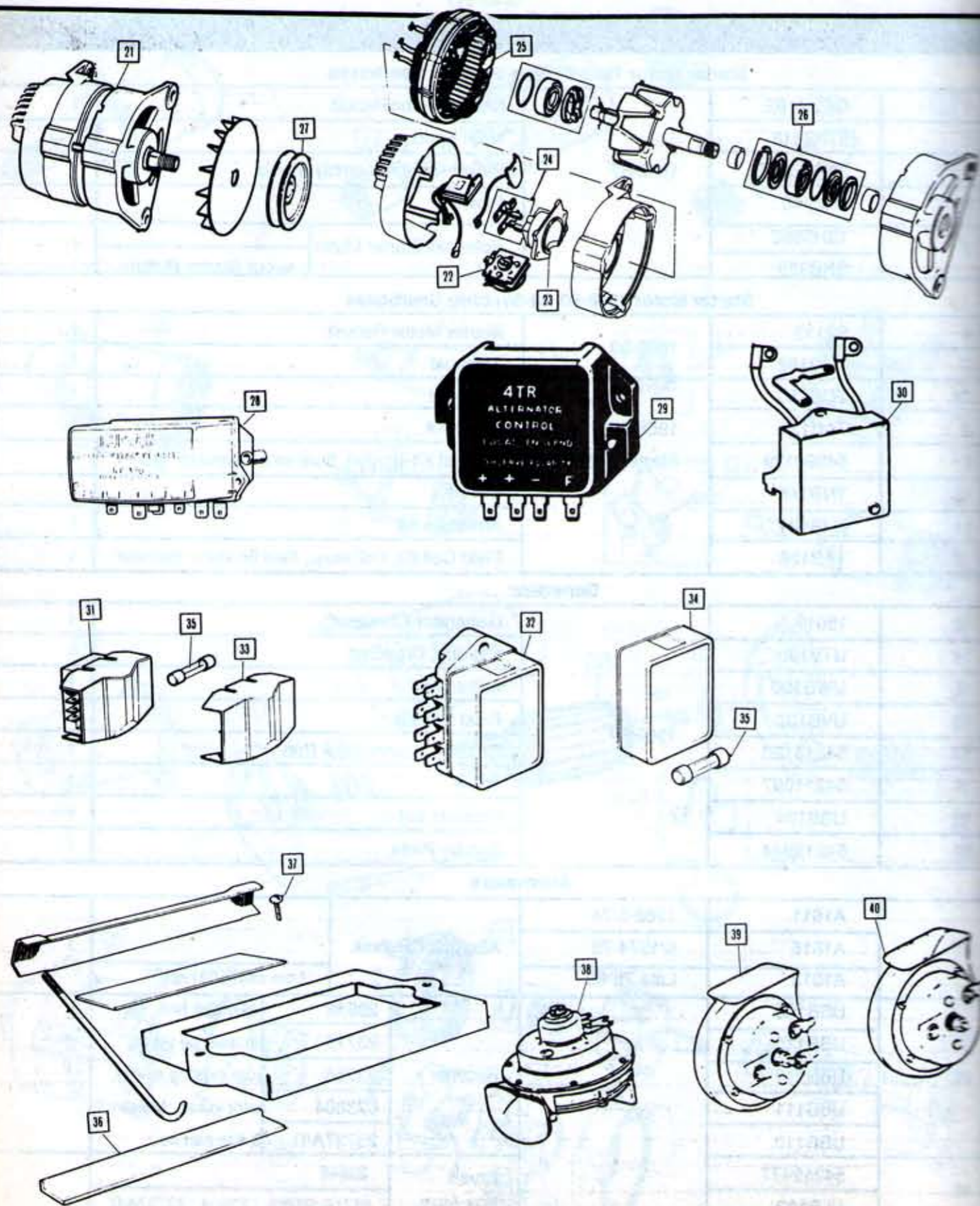
MGB

STARTERS, GENERATORS, ALTERNATORS AND COMPONENTS

Ill No.	Part No.	Year & Description	Qty			
<b>Starter Motor 1962-67 Non-Synchro Gearboxes</b>						
1	GEU418E	1962-67	Starter Motor-Rebuilt	1		
2	27H7818		Main Spring	1		
3	37H4289		Pinion Drive Assembly-Inertia	1		
4	7H6940		Pinion	1		
5	13H5952 SRB325		Solenoid-Starter Motor w/out Starter Button	1		
<b>Starter Motor 1968-80 All-Synchro Gearboxes</b>						
6	S2113	1968-80	Starter Motor-Rebuilt	1		
7	TOB162		Solenoid	1		
7A	TOB159	1968-80 Starter #25654	Solenoid	1		
8	TAB124		Brush Kit	1		
9	54266139		Bracket Kit-Bracket, Brushes & Connector	1		
10	TNB145		Drive Kit	1		
11	THB101		Armature Kit	1		
12	TEB126		Field Coil Kit, Coil Assy., Twin Brushes, Insulator	1		
<b>Generator</b>						
13	15017	1962-67	Generator-Coreless	1		
14	UTB100		Bearing, DriveEnd	1		
15	UWB100		Armature	1		
16	UVB102		Field Coil Kit	1		
17	54211125		Bracket, Commutator End	1		
18	54211097		Oiler	1		
19	USB104		Brushes Set	1		
20	54219944		Sundry Parts	1		
<b>Alternators</b>						
21	A1611		1968-5/74	Alternator-Rebuilt	----- from c#471001 on	1
	A1816	6/1974-78				
	A1812	Late 78-80				
22	UBB108	-----	Rectifier	23548	Alternator Nos. at left must be taken from existing alter- nator in car. Match Alt.# to part no.	1
	UBB110			23716		
	UBB112			23756		
	UBB111			L23804		
	UBB110			23737A/D		
23	54219477	-----	Brush Box Assy.	23548	23716, 23756, L23804 23737A/D	1
	ULB102					
23A	54201206	1977-80	Fan		1	



MGB



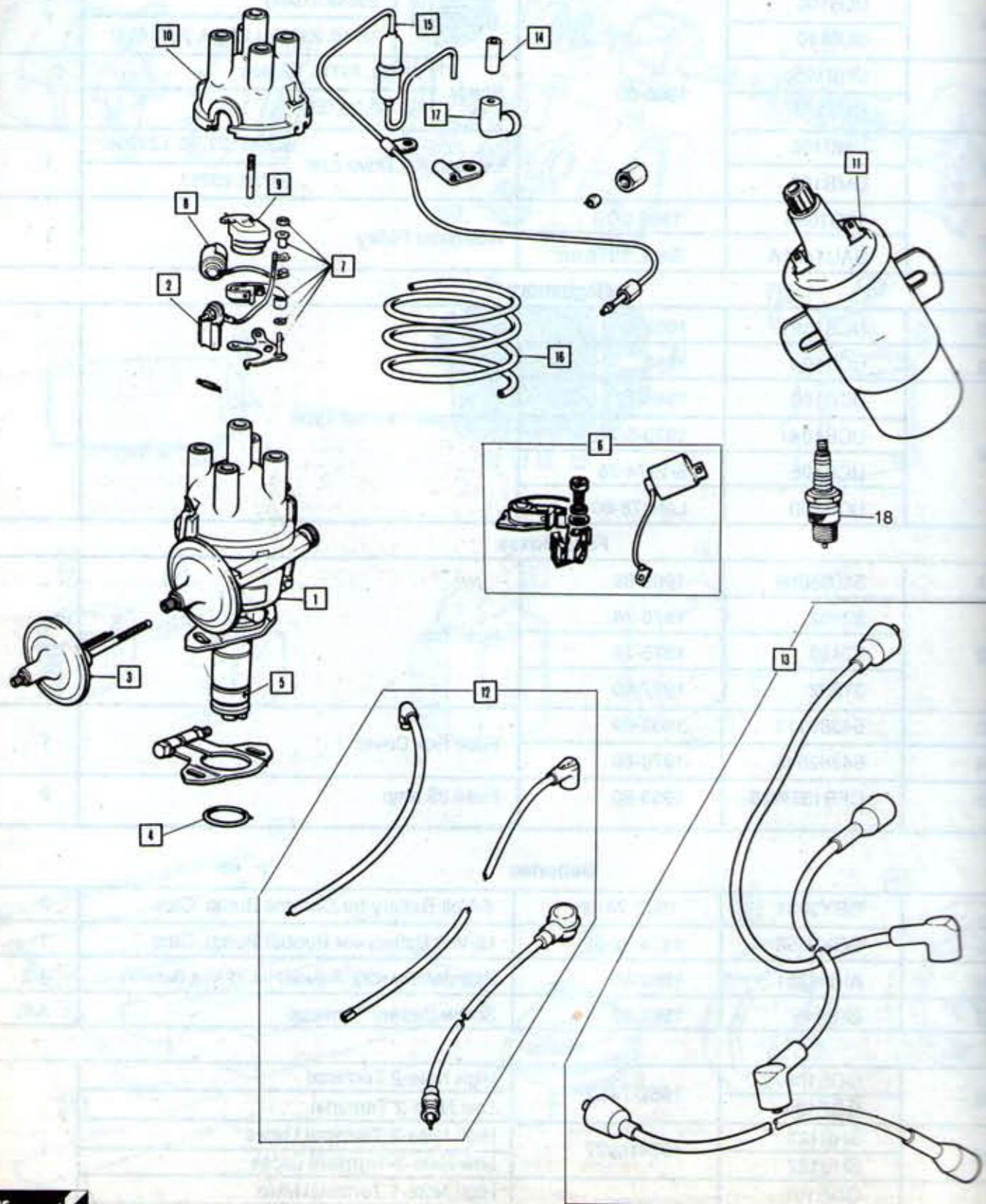
MGB

ALTERNATORS, REGULATORS, FUSE BOXES, BATTERIES & HORNS

Ill No.	Part No.	Year & Description	Qty	
24	ULB108	1968-80	Brush Set 23548 (1968) 23716, 23756, L23804, 23737A/D	1
	ULB110			
25	UHB105	1968-80	Stator 23548, 23716, L23804 23756, 23737	1
	UHB107			
26	UMB105	1968-80	Bearing Kit, Drive End 23548, 23716, L23804 23756, 23757	1
	UMB108			
27	12G1054	1968-9/76	Alternator Pulley	1
	BAU1461A	Sept. 1976 on		
<b>Regulators</b>				
28	NCB130	1962-67	Regulator-Internal Type	1
29	UCB104	1968		
30	UCB100	1969-72		
	UCB104	1973-5/74		
	UCB105	6/1974-78		
	UCB100	Late 78-80		
<b>Fuse Boxes</b>				
31	54038068	1963-69	Fuse Box	1
	37552	1970-74		
	37420	1975-76		
32	37552	1977-80		
33	54380114	1963-69	Fuse Box Cover	1
34	54382845	1970-80		
35	CFB135W25	1963-80	Fuse 35 amp	2
<b>Batteries</b>				
---	GBY3031	1962-741/2	6-Volt Battery-for Chrome Bump. Cars	2
	GBY5656	19741/2-80	12-Volt Battery-for Rubber Bump. Cars	1
36	AHH6351	1962-80	Pad-Battery (Qty. reduced for 12 Volt Battery)	4/2
37	2K8645	1962-80	Screw-Battery Terminal	A/R
<b>Horns</b>				
38	GGE103	1962-741/2	High Note-2 Terminal	1
	GGE104		Low Note-2 Terminal	
39	SHB123	19741/2-77	High Note-2-Terminal Lucas	
	SHB122		Low Note-2-Terminal Lucas	
40	GGE101	1978-80	High Note-1-Terminal Mixo	
	GGE102		Low Note-1-Terminal Mixo	



MGB  
MGB



MGB  
DISTRIBUTORS AND RELATED COMPONENTS

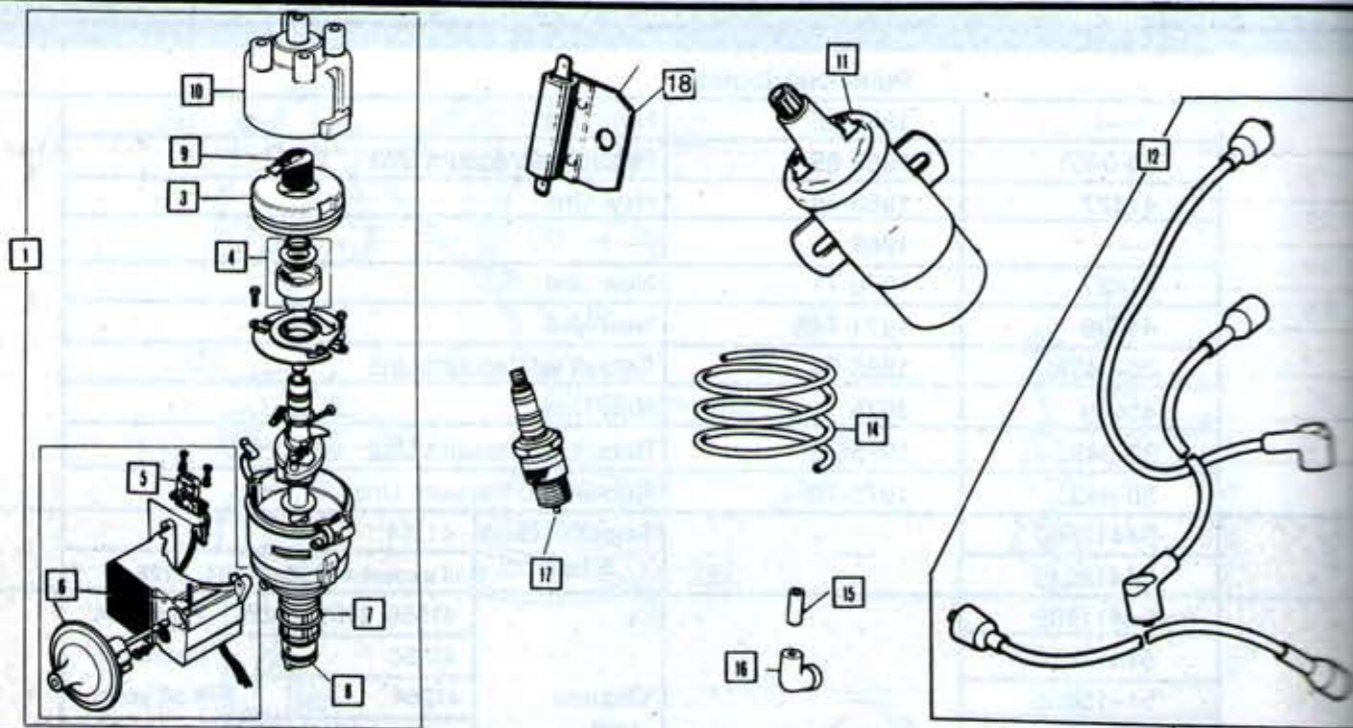
Ill No.	Part No.	Year & Description		Qty	
<b>Point Distributors</b>					
1	----	1962-65	New Unit	1	
	30-0401	1962-65	Rebuilt w/ Vacuum Unit		
	41427	1965-68	New Unit		
	----	1969	----		
	41427	1970-71	New Unit		
	41599	1971-74	New Unit		
	30-0402	1966-74	Rebuilt w/ Vacuum Unit		
	41599	1975	New Unit		
	30-0432	1975-76	Rebuilt w/ Vacuum Unit		
	30-0433	1975-76	Rebuilt w/o Vacuum Unit		
2	54417569	----	Terminal Bush & Lead	41264	1
	54413549			all except 41599, 41644, 41264	
3	54411985	----	Vacuum Unit	41555, 4089, 41288	Please use Distributor # off your existing unit and our Part No.
	54412170			41290	
	54415625			41264	
	54414868			41339	
	54425359			41491	
	54425516			41599	
4	188639W10	1962-76	"O" Ring	1	
5	420620	1962-76	Dog, Driving	1	
6	DTB150X10	1962-74	Tune-Up Kit-Contact Set & Condenser	1	
7	DSB101	1962-74	Contact Set (Fits 41427 Distributor)	1	
	DSB108	1975-76 Federal			
8	DCB101	1962-74	Condenser	1	
	DCB104	1975-76 Federal			
9	DRB101	1962-74	Rotor	1	
	DRB104	1975-76 Federal			
10	DDB101	1962-66	Distributor Cap	1	
	DDB106	1967-74			
	DDB108	1975-76 Federal			
11	DLB101	1962-74	Coil	1	
	DLB102	1975-76 Federal			
12	HP752	1962-68	Ignition Wires	1	
13	HP753	1969-76			
14	ACH9041	1968-76	Pipe Connector-Carb end, Replacement "push fit"	1	
15	12H733	1962-67	Vacuum Pipe Metal use 37H4229M if not available	1	
16	37H4229M	1968-76	Vacuum Pipe- Plastic-sold by the meter	A/R	
17	12B2095	1968-76	Pipe Connector-Straight	A/R	
	12B2062	1968-76	Pipe Connector-90°	1	
18	GSP163	1962-76	Spark Plug	4	



# ELECTRICAL

## MGB

### DISTRIBUTORS AND RELATED COMPONENTS



Ill No. Part No. Year & Description Qty

#### Electronic Distributors

Ill No.	Part No.	Year & Description	Qty	
1	41643*	1975-76 Calif.	Electronic Distributor	
	41813*	1977-80 Federal		
	41814*	1977-80 Calif.		
2	54427556	1975-80	Drive Resistor	
3	DZB101	1975-80	Anti-Flash Cover	
4	54427066		Timing Rotor	
	-----		41643, 41693, 41695	
5	DPB102	-----	Pick-Up Module	
	-----		41813, 41814	
6	54428147		Vacuum Advance	
	54424165		41813	
7	188639w10	1975-80	"O" Ring	
8	420620	1975-80	Dog, Driving	
9	DRB104	1975-76 Calif.	Rotor	
	DRB104	1977-79		
	DRB133	1980		Distributors: 41851, 41853
	DRB104			Distributors: 41813, 41814
10	DDB108	1975-76 Calif.	Distributor Cap	
	DDB108	1977-79		
	DDB199	1980		Distributors: 41851, 41853
	DDB108	1980		Distributors: 41813, 41814

# ELECTRICAL

## MGB

Ill No.	Part No.	Year & Description	Qty
11	DLB102	1975-76 Calif.	Coil
	DLB102	1977-79	
	DLB198	1980	
12	HP753	1975-80	Ignition Wires
13	ACH9041	1975-80	Pipe Connector-Carb end, Replacement "push fit"
14	37H4229M	1975-80	Vacuum Pipe- Plastic-sold by the foot
15	12B2095	1975-80	Pipe Connector-Straight
16	12B2062	1975-80	Pipe Connector-90°
17	GSP163	1975-80	Spark Plug
18	47222	Balast Resistor used w/41427 Distributor after Conversion See Footnote.	

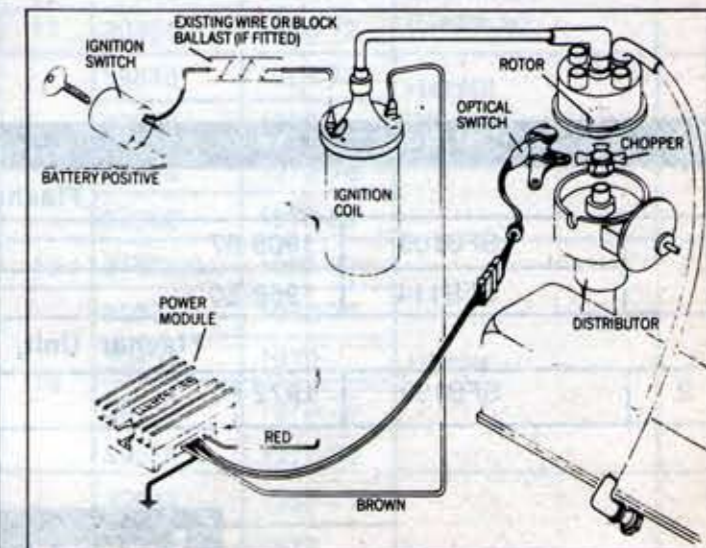
Note: Please use distributor # off your original unit and our Part No. when ordering distributor parts.

\*Electronic Ignition Distributors are discontinued from Lucas. We recommend using The Lumenition Electronic Ignition Kit or replacing your electronic unit with a 41427 Point Type Distributor, DLB101 Coil, and a 47222 Balast Resistor.

# Lumenition<sup>®</sup>

## OPTRONIC<sup>®</sup> IGNITION

Part No.	Description
PMA50	Power Module
FK116	Fitting Kit-Point Type Cars
FK109	Fitting Kit-Electronic Ignition Cars with Amplifier Attached to Distributor
FK121	Fitting Kit-Electronic Ignition Cars with Amplifier Detached from Distributor
FK117	Fitting Kit-1975 41599 dist and 41427 replacement distributor



When Lumenition Optronic Ignition is fitted to your car you will obtain a significant reduction in fuel consumption, longer spark plug life and reduced maintenance costs. You can have the Lumenition system fitted to your car at most repair shops, or you can install the kit easily yourself. Lumenition's use of an infra-red beam as a switch means that it is not affected by heat, magnetism or dirt.



# ELECTRICAL

## MGB & MIDGET SENDING UNITS



Application & Year	Oil Pressure Transmitter for Oil Gauge	Oil Pressure Switch for Warning Light	Oil Pressure Switch for Anti-run on Valve	Water Temperature Transmitter
MGB to 1973 (Cars w/ Safety Gauge)	N/R	N/R	N/R	N/R
MGB to 1973 (Cars w/o Safety Gauge)	PT1810/1/10	C39370		to 1975
MGB 1973-80			GPS114	

Safety Gauges can be identified by having no electrical connections. They give direct readings of oil pressure and water temperature via capillary tubes.  
N/R = Not Required.



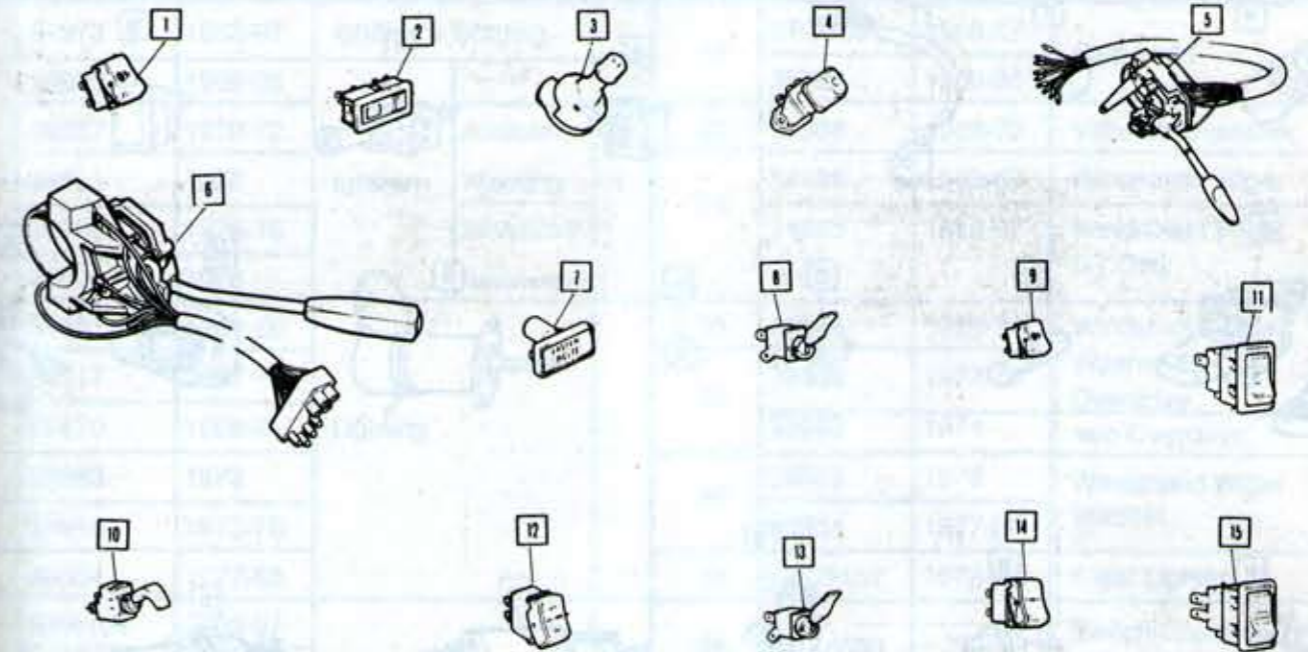
Ill No.	Part No.	Year	Description	Qty.
<b>Flasher Units</b>				
1	SFB105	1965-67	Flasher Unit	1
	SFB114	1968-80		
<b>Flasher Unit, Hazard Warning</b>				
2	SFB130	1972-80	Flasher Unit	1

**Lucas**



# ELECTRICAL

## MGB SWITCHES

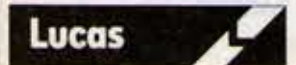
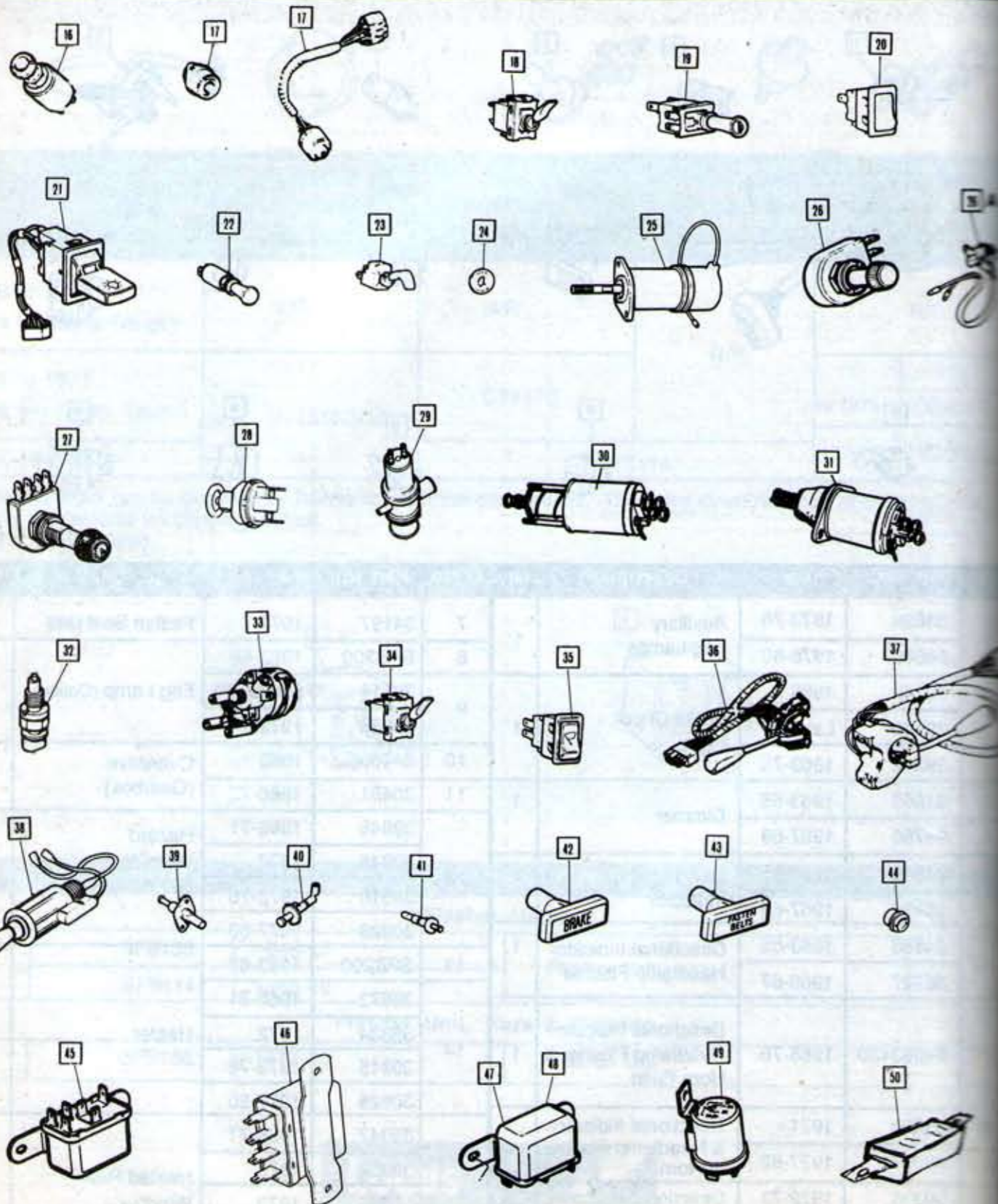


Ill No.	Part No.	Year	Description	Qty.	Ill No.	Part No.	Year	Description	Qty.
1	39629	1973-76	Auxillary Fog Lamps	1	7	34197	1977	Fasten Seat Belt	1
	39980	1978-80			8	SPB200	1963-68		
2	39149	1968	Brake Check Light	1	9	39114	Late 68-71	Fog Lamp (Option)	1
	39212	1969-76			9	39835	1972-74		
	3	31800			1963-66	Dimmer	1	10	34460
4	34790	1967-69	11	30451	1966-72				
5	34518	1963-65	Directional Indicator	1	12	39846	1968-71	Hazard Warning Device	1
	35726	1967-69				39846	1972		
	34588	1963-65	Directional Indicator Headlamp Flasher	1		39916	1973-76		
	35727	1966-67				30928	1977-80		
6	54033480	1968-70	Directional Indicator Headlamp Flasher & Horn Push	1	14	35872	1968-71	Heater	1
						39834	1972		
						39915	1973-76		
						30926	1977-80		
8	39552	1971	Directional Indicator & Headlamp Flasher w/Horn	1	15	35947	1968-71	Heated Rear Window GT Models	1
	30897	1977-80				39836	1972		
	39838	1972-73				30362	1973		
	30579	1974-76				30566	1974		
7	39830	1972-76	Fasten Seat Belt	1		30385	1975		



# ELECTRICAL

## MGB



# ELECTRICAL

## MGB

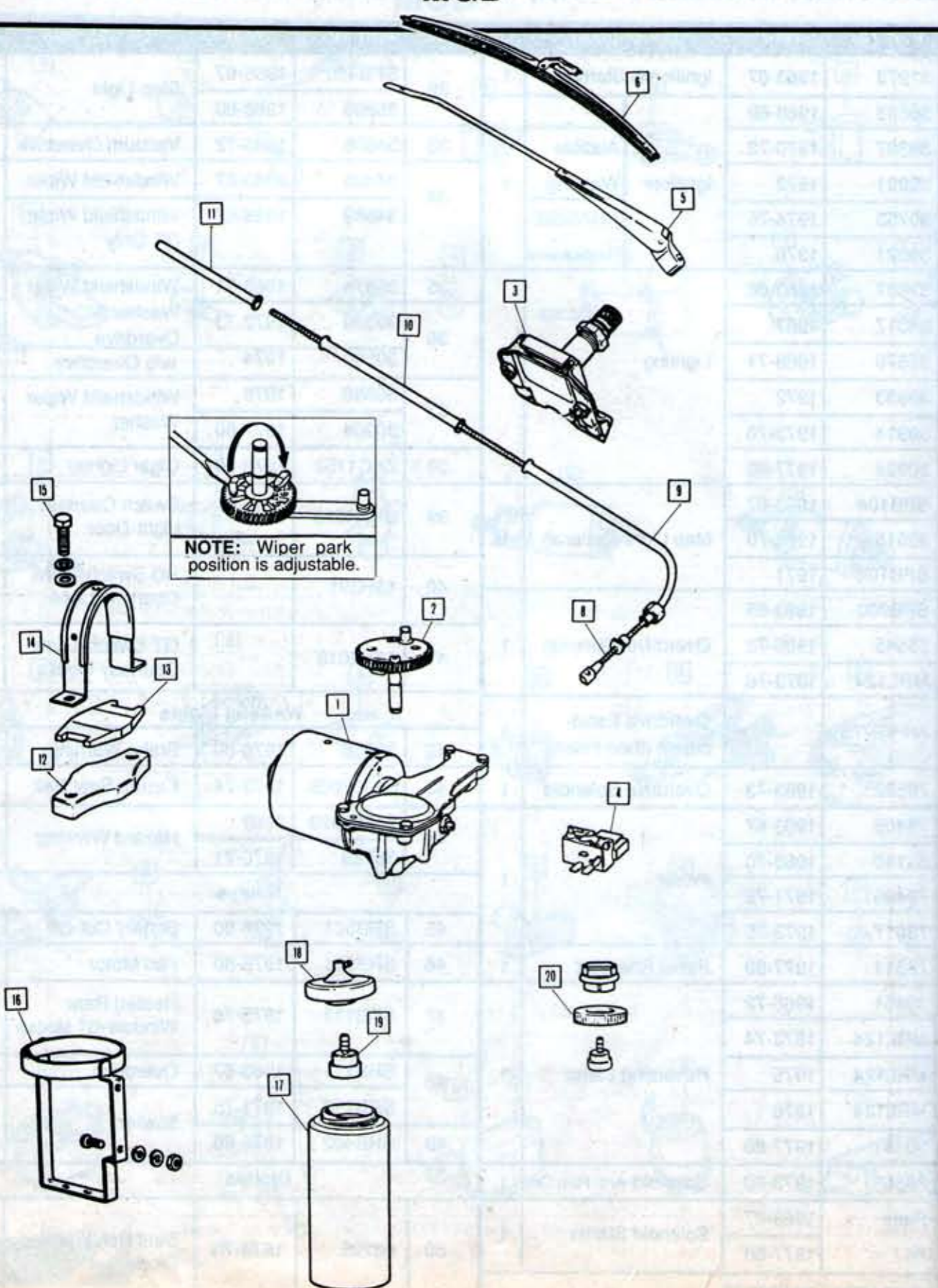
### SWITCHES, WARNING LIGHTS, RELAYS, CIGAR LIGHTER & DIODES

Ill No.	Part No.	Year	Description	Qty.	Ill No.	Part No.	Year	Description	Qty.
16	31973	1963-67	Ignition & Starting	1	32	SPB400	1965-67	Stop Light	1
17	35893	1968-69	Ignition- Warning Replacement	1	32	35896	1968-80	Stop Light	1
	39387	1970-72			33	34508	1963-72	Vacuum Overdrive	1
	39921	1973			34	34426	1963-67	Windshield Wiper	1
	39753	1974-75				34889	1966-67	Windshield Wiper GT Only	
	39921	1976							
18	31837	1963-66	Lighting	1	35	35874	1968-71	Windshield Wiper Washer & Overdrive	1
19	34317	1967			36	39839	1972-73	Washer & Overdrive	
20	35870	1968-71			30580	1974	w/o Overdrive		
	39833	1972			37	30580	1976	Windshield Wiper Washer	1
21	39914	1973-76				30964	1977-80		
		30924	1977-80	38	ZKC1152	1972-80	Cigar Lighter	1	
22	SPB104	1963-67	Map Light (Optional)	1	39	BHA4593	---	Switch Courtesy Light-Door	1
	35915	1968-70			40	13H391	---	RD Switch-Trunk Courtesy Light	1
	SPB104	1971							
23	SPB200	1963-65	Overdrive (Optional)	1	41	13H2018	---	GT Switch-Trunk Courtesy Light	1
	35545	1966-72							
	MRL124	1973-76							
24	AHH6277S	---	Overdrive Escut- cheon (Satin Finish)	1	<b>Warning Lights</b>				
25	76522	1963-73	Overdrive Solenoid	1	42	30856	1976-80	Brake Warning	1
					43	54363665	1973-74	Fasten Seat Belt	1
26	78405	1963-67	Panel	1	44	54362929	1969	Hazard Warning	1
	31140	1968-70				38723	1970-71		
	78495	1971-72			<b>Relays</b>				
	78517	1973-75			45	SRB501	1976-80	Battery Cut-Off	1
27	78511	1977-80	Panel Rheostat	1	46	SRB501	1975-80	Fan Motor	1
28	30451	1968-72	Reversing Lamp	1	47	SRB111	1975-76	Heated Rear Window-GT Models	1
	MRL124	1973-74							
	MRL124	1975			48	SRB111	1963-67	Overdrive	1
	MRL124	1976				SRB113	1971-75	Starter	
30451	1977-80	49	SRB402	1976-80		1			
29	76568	1973-80	Solenoid-Anti-Run On	1	<b>Diodes</b>				
30	Page	1963-67	Solenoid Starter	1	50	83225	1973-76	Seat Belt Warning Diode	1
31	74	1977-80							

\*For Ignition Locks See Page 36



MGB



MGB

WINDSHIELD WIPERS, WASHERS ECT.

Ill No.	Part No.	Year & Description	Qty
1	75801	1962-67	Wiper Motor
	75664	1966-67	
	75664	1968-80	
	43-1321	1962-67	
	43-1320	1966-67	
	43-1320	1968-80	
2	88-520939	1962-67	Wiper Gear
	WGB224	1969-80	
3	72847	1963-67	Wheelbox
	72840	1966-75	
	72879	1968-75	
	72879	1976-80	
4	54712982	---	Park Switch
	WHB101	---	
5	37H4952	1962-69	Wiper Arm Adjustable-Bright Stainless
	BHA5201S	1970-80	
	BHA5201	1970-80	
	BHA5205*	1966-75	
6	GWB219	1962-69	Wiper Blade-10" Roadster-Stainless Finish
	GWB199	1967-69	
	GWB141	1970-80	
	GWB144	1970-72	
	GWB245S	1972-75	
	GWB245	1972-75	
	91303-40E	1970-80	
7	37H3694	1962-80	Ferrule-Casing
8	54728962		Wiper Rack-Cut to Fit
9	AAU1909A		Casing-Motor to Wheelbox
10	BHA4223		Casing-Wheelbox to Wheelbox
11	13H5412		Casing-Wheelbox Extension
12	AHH8766A		Packing-Wiper Motor
13	88-150844		Pad
14	BHA4790		Strap
15	SH604111		Screw
16	13H232		Bracket-Washer Bottle
17	GWW918	Washer Bottle	GHN3/4/5, GHD3/4/5 Up to 321698. Up to Approx. 1974.
18	AHH6848	Cap	
19	GWW506	Foot Valve	
20	GWW952	Cap-Substitute	

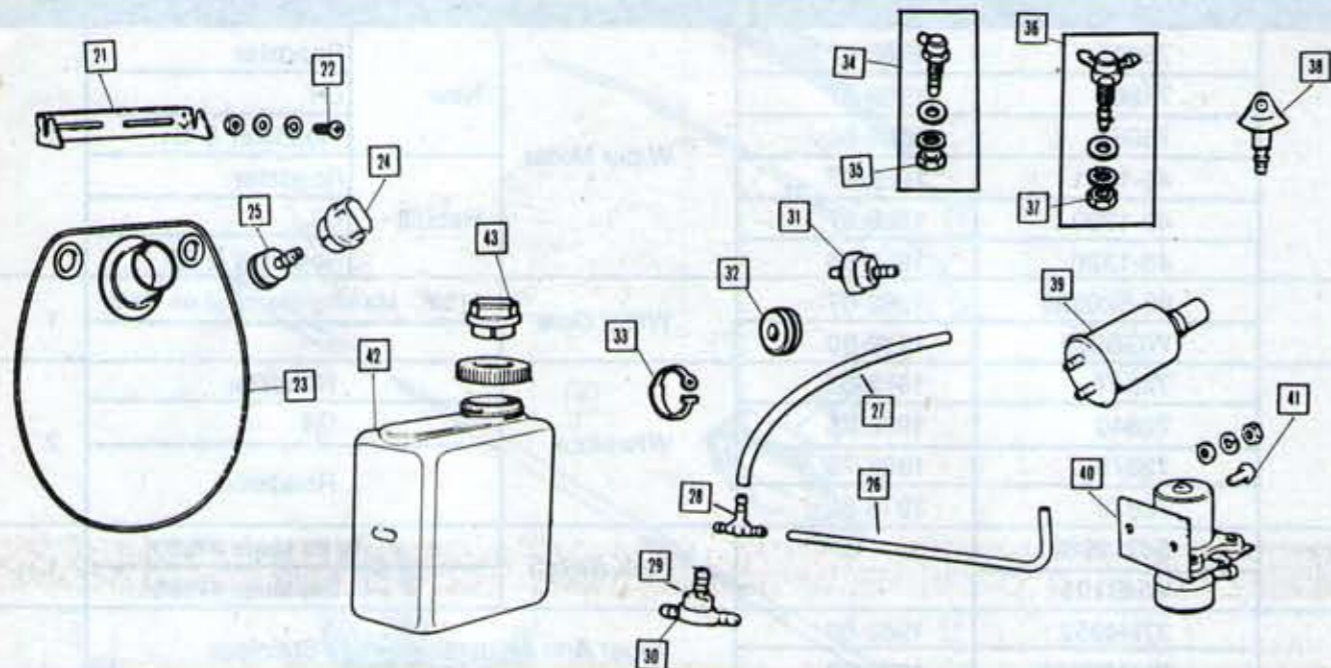
Note: If AHH6848 is not available use GWW951 and GWW952 with GWW506. See diagram on opposite page if wipers park on wrong side of windshield. Early Roadsters up to GHN-3-42284 had washer bottle bracket mounted on pedal box blanking plate. Later models mounted onto radiator diaphragm.  
\*Also Available in stainless BHA5205S.



# ELECTRICAL

## MGB

### WINDSHIELD WIPERS, WASHERS ECT.



Ill No.	Part No.	Year & Description	Qty
21	BHA4919	1974-80 Bracket-Washer Bag GHN5, GHD5-321669 on	1
22	PMZ308	1974-80 Screw	2
23	GWW917	1974-80 Washer Bag	1
24	GWW951	1974-80 Filler Plug	1
25	GWW506	1974-80 Foot Valve	1
26	GWW201M*	--- Tubing-4.8mm Outside Diameter	A/R
27	GWW202M*	--- Tubing-6.4mm Outside Diameter	
28	GWW404	1962-67 3-Way Connector (GWW408 Can be Substituted)	
29	GWW408	1968-77 3-Way Connector to c#447000	1
30	GWW407 <sup>2</sup>	1978-80 3-Way Connector (w/NRV) from c#447001 on	
31	GWW504	1978-80 Non Return Valve GHD3/4/5 GT to 447035	1
32	RFN403	--- Grommet-Chrome Bump. Cars w/Manual Pump	1
33	GHF1266	--- Strap-Tubing to Oil Pipe	1
34	GWW802	1962-77 Washer Jet-Chrome Roadster to c#447000	2
35	GHF206		
36	GWW801	1967-75 Washer Jet-Chrome GT to c#447035	2
37	GHF208		
38	GWW829	1977-80 Washer Jet-Black Roadster from c#447001	2
39	GWW102	1962-67 Washer Pump Manual-Chrome Bumper Cars	1
40	WSB100	1968-80 Washer Pump Electric-Rubber Bumper Cars	
41	PMZ308	1974/1/2-80 Screw	2
42	GWW901	1974-80 Washer Container-Alternative to Ill. #23	1
43	GWW952		

\*Only required for Roadster with GWW802 jet. <sup>2</sup>Sold per meter. NRV = non return valve. <sup>2</sup>Fitted with GWW829 jets.

# ELECTRICAL

## MGB

### MAIN WIRING HARNESSSES ( BODY & TRUNK), & LUMINATION KITS



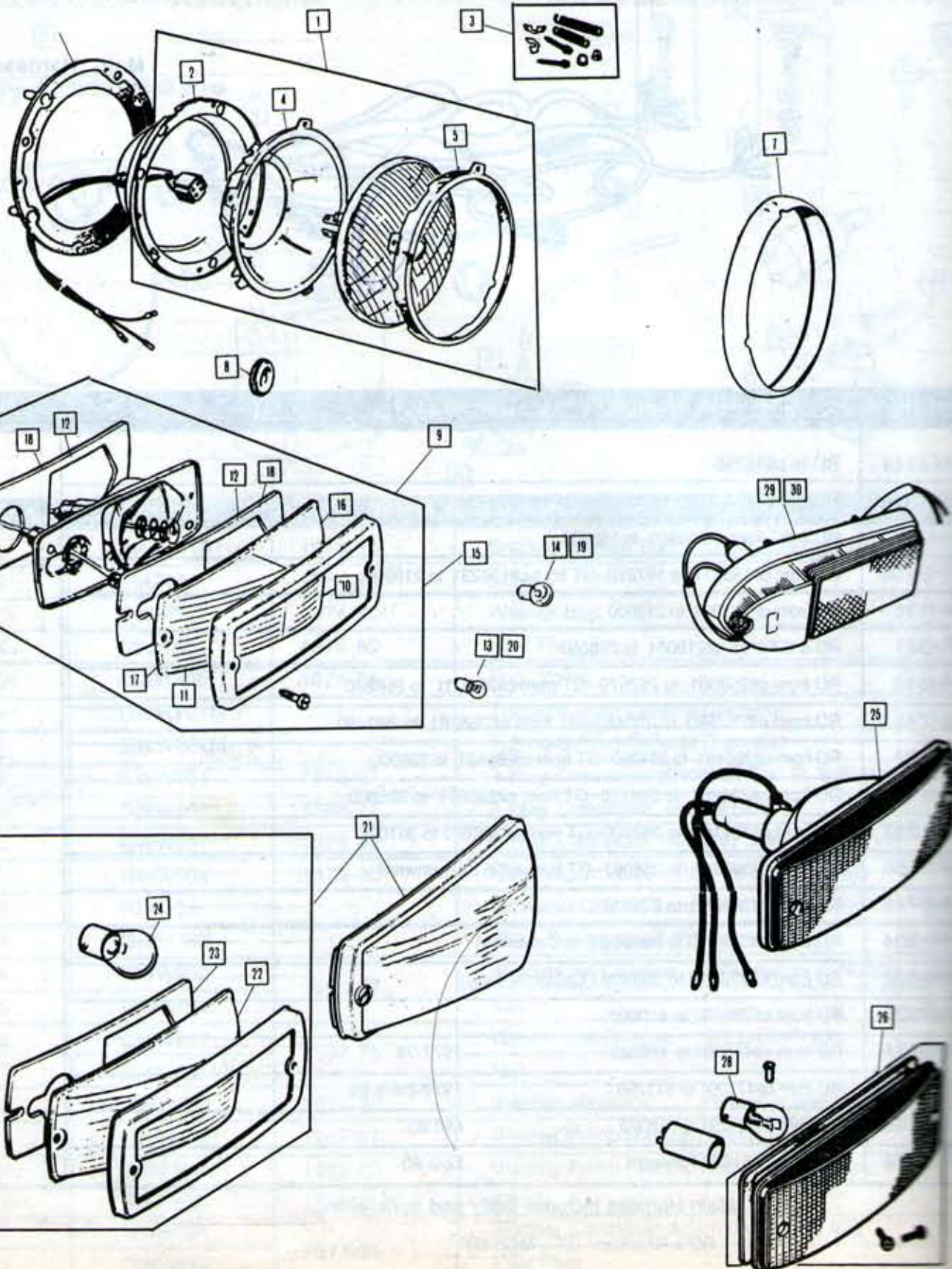
Part No.	Chassis # Change Points	Qty	
BHA4344	RD to c#48765	1	
AHH7379	RD from c#48766 to c#82655-- GT to c#82655		
AHH8777	RD & GT from c#138401 to 158230		
AHH9156	RD from c#158231 to 187210--GT from c#158231 to 219000		
BHH136	RD from c# 187211 to 219000		
BHH381	RD & GT from c#219001 to 258000		
BHH643	RD from c#258001 to 267579--GT from c#258001 to 268280		
BHH740	RD from c#267580 to 280480--GT from c#268281 to 280480		
BHH723	RD from c#280481 to 294250--GT from c#280481 to 296000		
BHH1127	RD from c#294251 to 328100--GT from c#296001 to 328800		
BHH1353	RD from c#328101 to 360300--GT from c#328801 to 361000		
BHH1750	RD from c#360301 to 368081--GT from c#361001 onward		
BHH1745	RD from c#368082 to 372612		
BHH1804	RD from c#372613 to 386600 (not California)		
BHH1803	RD from c#372613 to 386600 ( California Only)		
BHH1921	RD from c#386601 to 410000		
BHH2031	RD from c#410001 to 471000		1977-78
BHH2253	RD from c#471001 to 511290		1979-Early 80
BHH2648	RD from c#511291 to 516373		Mid 80
BHH2666	RD from c#516374 onward		Late 80

Main Harness includes body and trunk wiring.

RD = Roadster, GT = MGB-GT



MGB



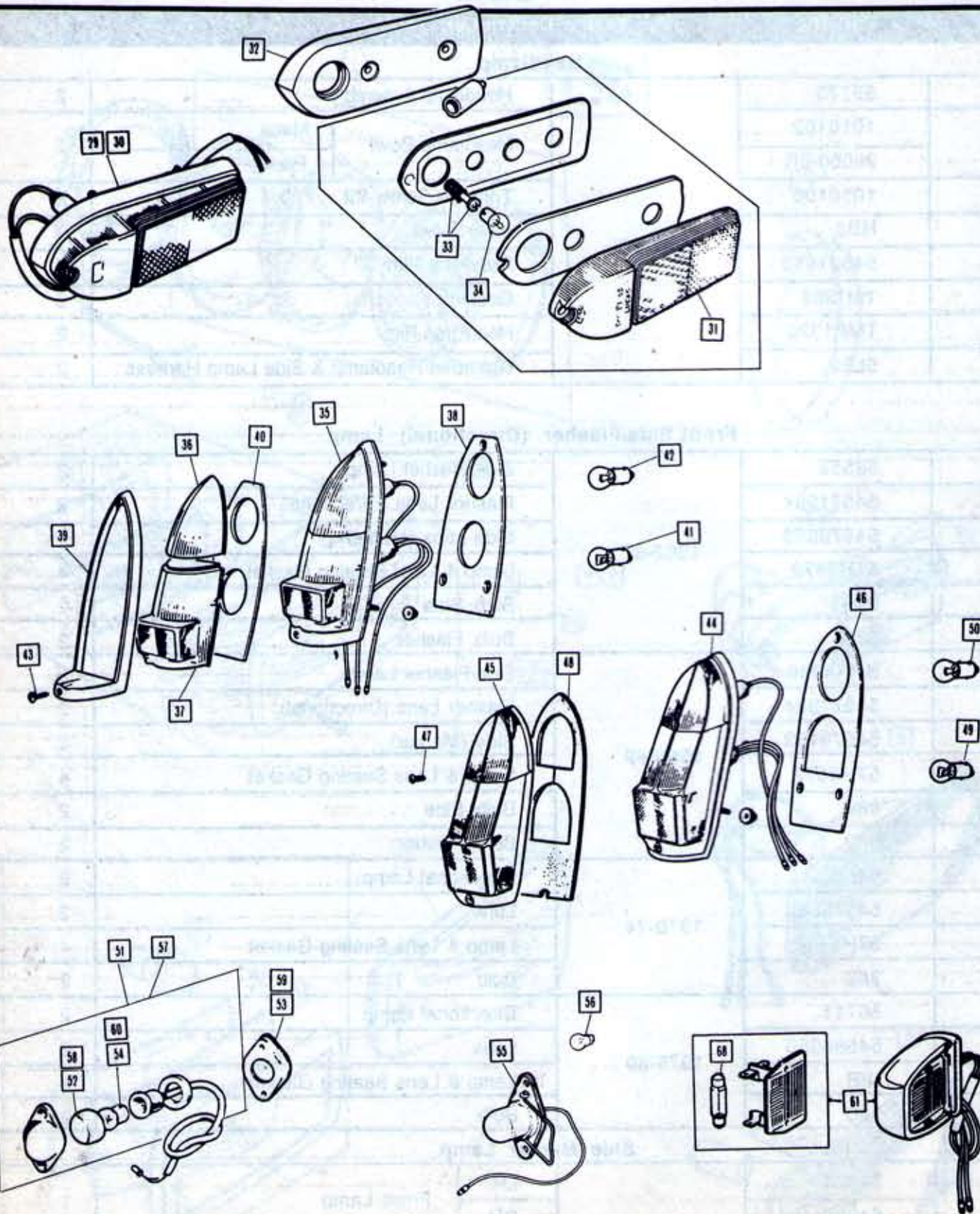
MGB

LAMPS/LENSES AND COMPONENTS

Ill No.	Part No.	Year & Description	Qty		
<b>Headlamp</b>					
1	59773	1962-80	Headlamp Assembly	2	
2	1010102		Headlamp Bowl	Metal	2
	28000-0R			Plastic	
3	1010106		Trimmer Screw Kit	2	
4	HB3		Inner Bowl	2	
5	54521913		Retaining Rim	2	
6	13H565		Gasket	2	
7	TMP1326		Headlamp Rim	2	
8	5L62	Grommet-Headlamp & Side Lamp Harness	2		
<b>Front Side/Flasher (Directional) Lamp</b>					
9	52552	1962-67	Side/Flasher Lamp	2	
10	54571994		Flasher Lens (Directional)	2	
11	54573659		Side Lens (Marker)	2	
12	57H5572		Lamp & Lens Seating Gasket	4	
13	989	Bulb, Side	2		
14	382	Bulb, Flasher	2		
15	BHA4966	1968-69	Side/Flasher Lamp	2	
16	54571994		Flasher Lens (Directional)	2	
17	54579153		Side (Marker)	2	
18	57H5572		Lamp & Lens Seating Gasket	4	
19	989	Bulb, Side	2		
20	382	Bulb, Flasher	2		
21	54838	1970-74	Directional Lamp	2	
22	54579862		Lens	2	
23	57H5572		Lamp & Lens Seating Gasket	4	
24	380		Bulb	2	
25	56711	1975-80	Directional Lamp	2	
26	54586350		Lens	2	
27	N/R		Lamp & Lens Seating Gasket	2	
28	380		Bulb	2	
<b>Side Marker Lamp</b>					
29	54921	1970-80	LH	Front Lamp	1
	54920		RH		
30	54923		LH	Rear Lamp	1
	54922		RH		



MGB



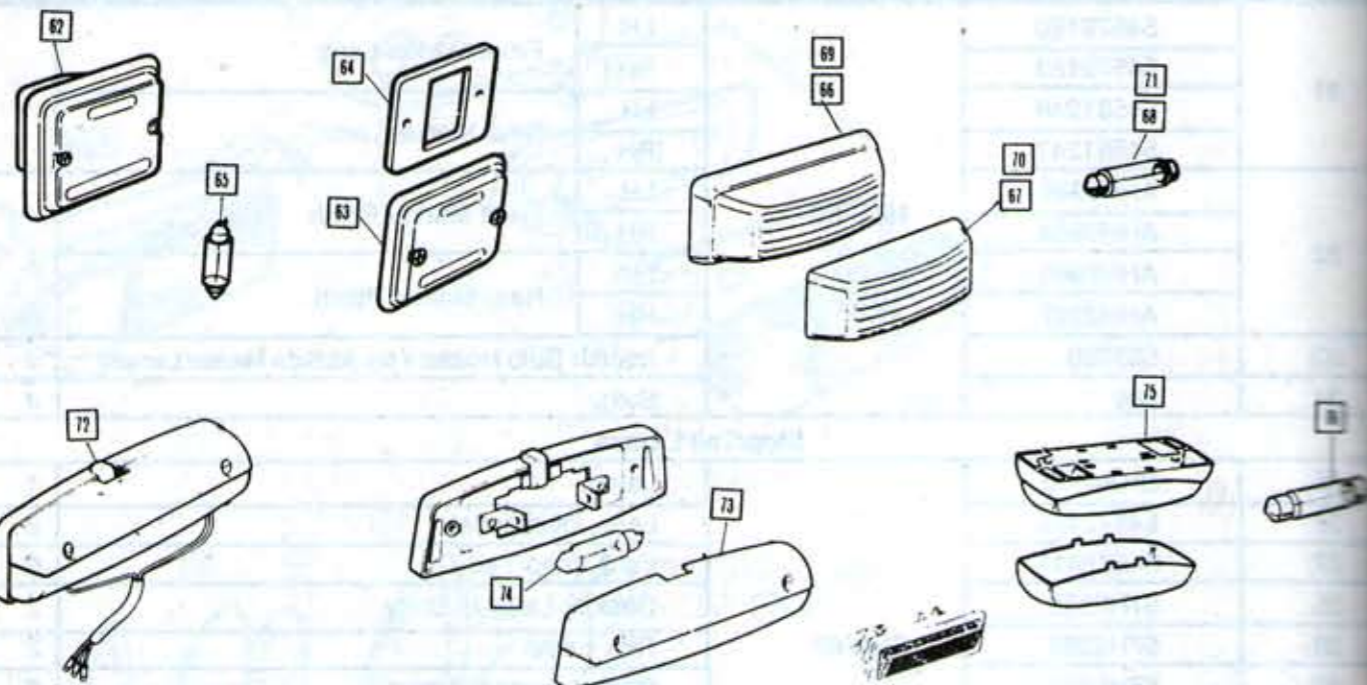
LAMPS/LENSES AND COMPONENTS (con't)

Ill No.	Part No.	Year & Description	Qty	
31	54579190	LH	1	
	54579189	RH		
	54581248	LH		
	54581247	RH		
32	AHH9965	LH	1	
	AHH9964	RH		
	AHH9966	LH		
	AHH9967	RH		
33	553780	Interior Bulb Holder ( fits All Side Marker Lamps)	4	
34	989	Bulb	4	
<b>Stop/Tail Lamps</b>				
35	BHA4175	Lamp	1	
36	54572490	Lens, Directional	2	
37	54572411	Lens, Stop-Tail	2	
38	57H5358	Gasket, Lamp to Body	2	
39	57H5355	Rim, Lamp	2	
40	57H5356	Gasket, Lens to Lamp	2	
41	380	Bulb, Stop & Tail	2	
42	382	Bulb, Directional	2	
43	RMP308	Screw, Rim	2	
44	56223	Lamp	2	
45	54582997	Lens, Original Lucas (One Piece)	2	
	54582997RP	Lens, Repro (One Piece)	2	
	46	37H4679	Gasket, Lamp to Body	2
	47	PMP208	Screw	4
	48	RLG1001	Gasket, Lens to Lamp	2
	49	380	Bulb, Stop & Tail	2
	50	382	Bulb, Directional	2
<b>License Plate Lamp</b>				
51	BHA4283	Lamp	2	
52	88-606078A	Lens, Glass	2	
53	AHH6398	RH	1	
	AHH6399	LH		
54	207	Bulb	2	
55	53278	Lamp	2	
56	989	Bulb	2	
57	BHA4283	Lamp	2	
58	88-606078A	Lens, Glass	2	
59	AHH6398	RH	1	
	AHH6399	LH		
60	207	Bulb	2	
61	AAU2143	Lamp Black	2	



MGB

LAMPS/LENSES AND COMPONENTS



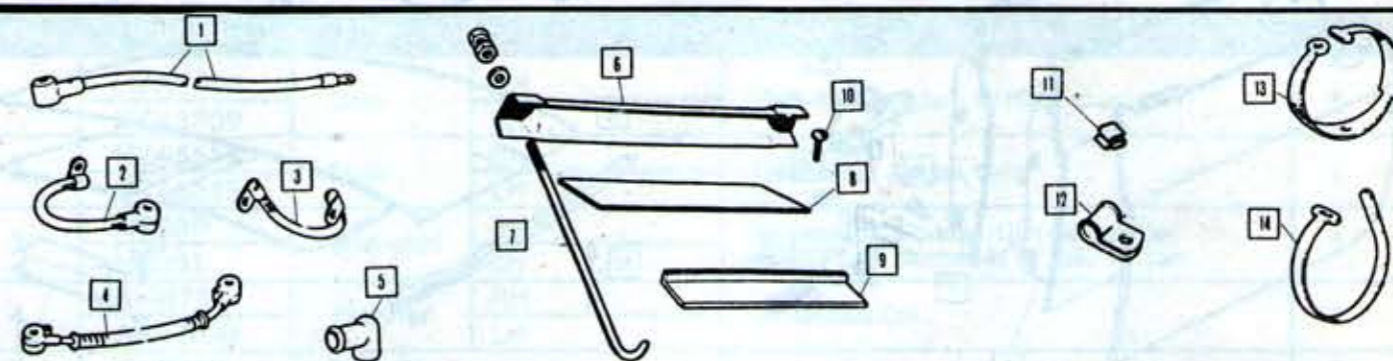
AAU4825 Rocking Type Lamp-On Console 9/76 On

Ill No.	Part No.	Year & Description	Qty
<b>Reversing Lamp</b>			
62	AAU5510	Lamp	2
63	54584170	Lens	2
64	37H1759	Gasket	4
65	270	Bulb	2
<b>Tailgate Lamp (GT Models Only)</b>			
66	EAM1650	Lamp	GT Models 1
67	24G3389	Lens	
68	239	Bulb	
<b>Trunk Lamp (Roadster Models Only)</b>			
69	EAM1650	Lamp	Roadster c#GHN5-219001 on 1
70	37H5923	Lens	
71	239	Bulb	
<b>Console (Map) Lamp</b>			
72	BHA5138	Lamp	c#GHN5-258001 to Sept. 76 1
73	27H3590	Lens	
74	239	Bulb	
<b>Courtesy/Trunk Lamp</b>			
75	BHA5040	Lamp	1
76	239	Bulb	1

Note: Be sure to carry extra bulbs in your vehicle. Many bulbs cannot be purchased from your local automotive supply house.

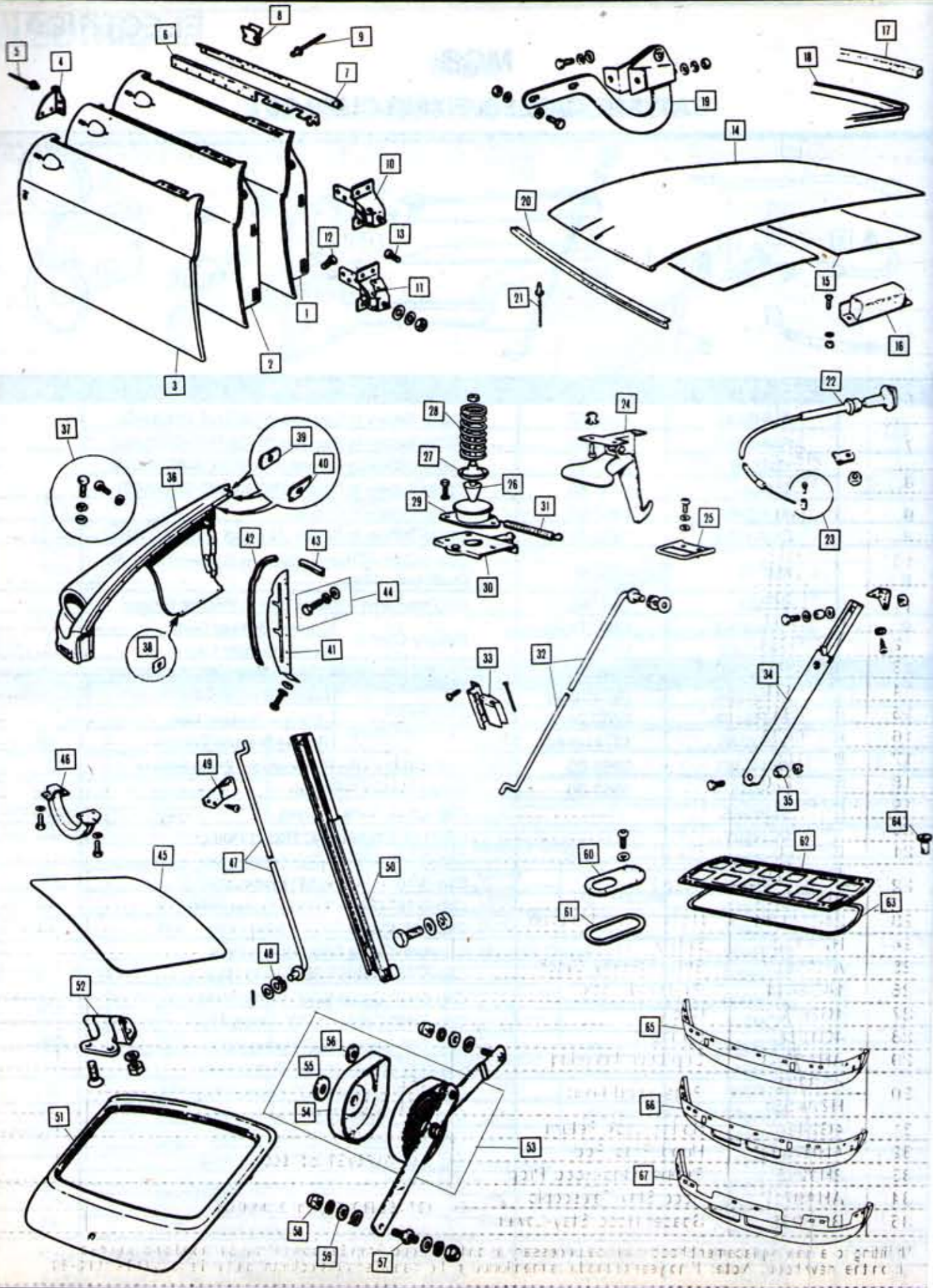
MGB

BATTERY CABLES, FIXING CLIPS ECT.



Ill No.	Part No.	Year	Description	Qty
1	AHH5449	1962-67	Cable-Battery to Solenoid (POSITIVE GROUND)	1
	AHH8792	1968-80	Cable-Battery to Solenoid (NEGATIVE GROUND)	
2	1B2802	1962-67	Cable-Battery to Ground (POSITIVE GROUND)	1
	5L924	1968-80	Cable-Battery to Ground (NEGATIVE GROUND)	
3	AHH5452	1962-80	Cable-Engine to Ground	1
4	BHA4348	1962-74 1/2	Cable-Battery to Battery-All 6-Volt 2 Battery Cars	1
5	8G548	1962-80	Cap-Insulating-Battery Cable to Solenoid/ Mounting Stud/Starter Motor.	A/R
	BC101	1962-80	Cap-Insulating-Battery Cable to Positive Ground	
6	AHH6353	1962-74 1/2	Battery Clamp	2
	34G2065	1974 1/2-80		
7	AHH6750	1962-74 1/2	Clamp Bolt	4
	BHH1586	1974 1/2-80		
8	AHH5169	1962-74 1/2	Packing-Clamp	2
	37H3743	1974 1/2-80		
9	AHH6351	1962-80	Pad-Battery-Qty. Reduced for 12 Volt Battery	4/2
10	2K8645	1962-80	Screw-Battery Terminal	A/R
11	BMK385	----	Clip-Edge, Various uses	A/R
	PCR207	----	Clip-1/4" Cable 7/32" Fixing Hole	
	PCR307	----	Clip-3/16" Cable 7/32" Fixing Hole	
	PCR309	----	Clip-3/16" Cable 9/32" Fixing Hole	
	PCR311	----	Clip-3/16" Cable 11/32" Fixing Hole	
	PCR407	----	Clip-1/4" Cable 7/32" Fixing Hole	
	PCR409	----	Clip-1/4" Cable 9/32" Fixing Hole	
	PCR507	----	Clip-5/16" Cable 7/32" Fixing Hole	
	PCR509	----	Clip-5/16" Cable 9/32" Fixing Hole	
	PCR511	----	Clip-5/16" Cable 11/32" Fixing Hole	
	PCR607	----	Clip-3/8" Cable 7/32" Fixing Hole	
	PCR611	----	Clip-3/8" Cable 11/32" Fixing Hole	
	PCR709	----	Clip-7/16" Cable 9/32" Fixing Hole	
	PCR807	----	Clip-1/2" Cable 7/32" Fixing Hole	
	PCR809	----	Clip-1/2" Cable 9/32" Fixing Hole	
	PCR811	----	Clip-1/2" Cable 11/32" Fixing Hole	
	12	PCR1007	----	
PCR1009		----	Clip-5/8" Cable 9/32" Fixing Hole	
PCR1207		----	Clip-3/4" Cable 7/32" Fixing Hole	
GHF1266		----	Strap-Cable-"Tie Strap" (Column Lock Wiring ect.)	
13	GHF1266	----	Strap-Cable-"Tie Strap" (Column Lock Wiring ect.)	1
14	2K6640	----	Strap-Cable-Aluminum (Main Harness ect.)	1





MGB

OUTER BODY PANELS 1962-80

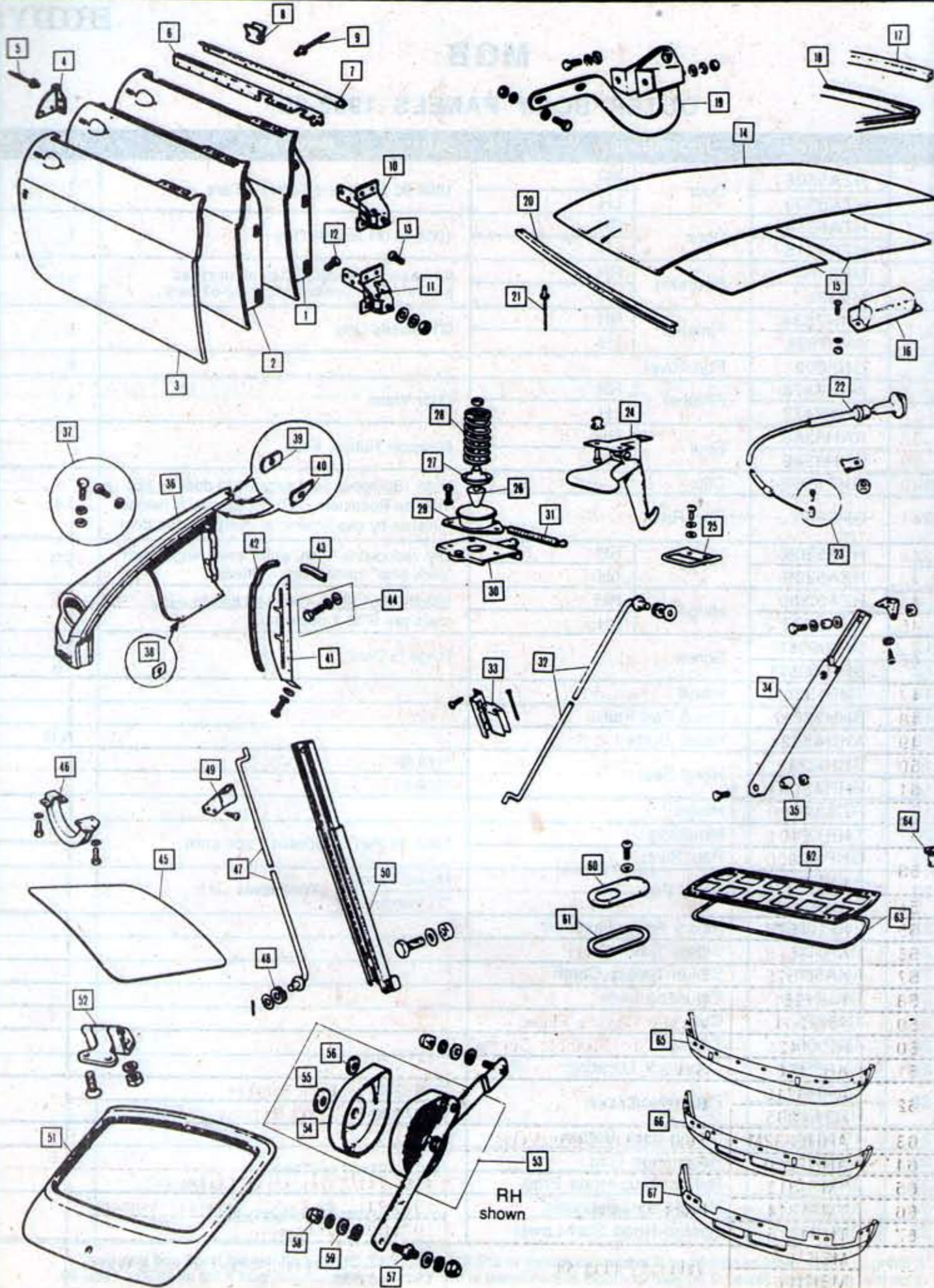
Ill No.	Part No.	Description	Year	Remarks	Qty.
1	HZA5508	Door	RH	1968-80 Roadsters GHN4/5 Cars	1
	HZA5509		LH		
2	HZA5514	Door	RH	1968-75 GT Models Only	1
	HZA5515		LH		
3	MB33R	Doorskin	RH	All Years All Models. Can be modified around door handles to fit 1962-67 cars.	1
	MB33L		LH		
4	AHH7834	Finisher	RH	GT Models Only	1
	AHH7835		LH		
5	GHF600	Pop Rivet			6
6	AHH7476	Finisher	RH	Door Waist	1
	AHH7477		LH		
7	AHH6348	Seal	RH	Scrapper Rubber Seal	1
	AHH6349		LH		
8	GHF1560	Clip		Note: Scrapper Seal secured to door by pop rivet on Roadsters. GT models seal is held to finisher by clip-finisher is riveted to the door.	14
9	GHF600	Pop Rivet			
10	HZA5208	Hinge	RH	Qty. reduced 9/76 on, when lower hinges with "click stop" mechanism is fitted.	2/1
	HZA5209		LH		
11	HZA5206	Hinge	RH	"Click Stop" Style--Can be fitted to early cars pre 9/76 if necessary.	1
	HZA5207		LH		
12	SF605081	Screw		Hinge to Door	12
13	SF605061				16
14	TMP1334	Hood			1
15	BHH925/6	Hood Pad-Pair			1
16	AHH6523	Hood Buffer			A/R
17	BHH209	Hood Seal	1962-67		1
18	BHH2270		1968-80		
19	HZA364	Hinge			2
20	TMP1317	Moulding		1962-73-Part of recessed type grille	1
21	GHF600	Pop Rivet			7
22	AHH6426B	Hood Pull	Round Handle	Alternatives	1
	AHH6426T		"T" Handle		
23	24G1052K	Nipple Assy. Trunnion			1
24	HZA332	Safety Catch			1
25	AHA5617	Striker-Safety Catch			1
26	14G2444	Pin-Hood Lock			1
27	4G3676	Cup			1
28	4G1588	Spring			1
29	AHA5543	Cup-Lock Locating			1
30	4G3035	Plate-Hood Lock	1962-74 1/2		1
	HZA4551		1974 1/2-80		
31	4G2494	Spring-Lock Return			1
32	AHH7380*	Hood Prop Rod		1962-70 RD/GT to 219000	1
33	2H9215	Rubber Grip-Hood Prop			
34	AHA9717	Hood Stay-Telescopic		1971-80 RD/GT from 219000 on	1
35	BHH298	Spacer-Hood Stay-Lower			

\*If fitting to a new replacement hood it will be necessary to drill the Hood Prop Bracket off the old hood and pop rivet it on the new hood. **Note:** If no year or model is mentioned in the Year/Remarks column, part # fits all MGB's 1962-80.



MGB

OUTER BODY PANELS 1962-80

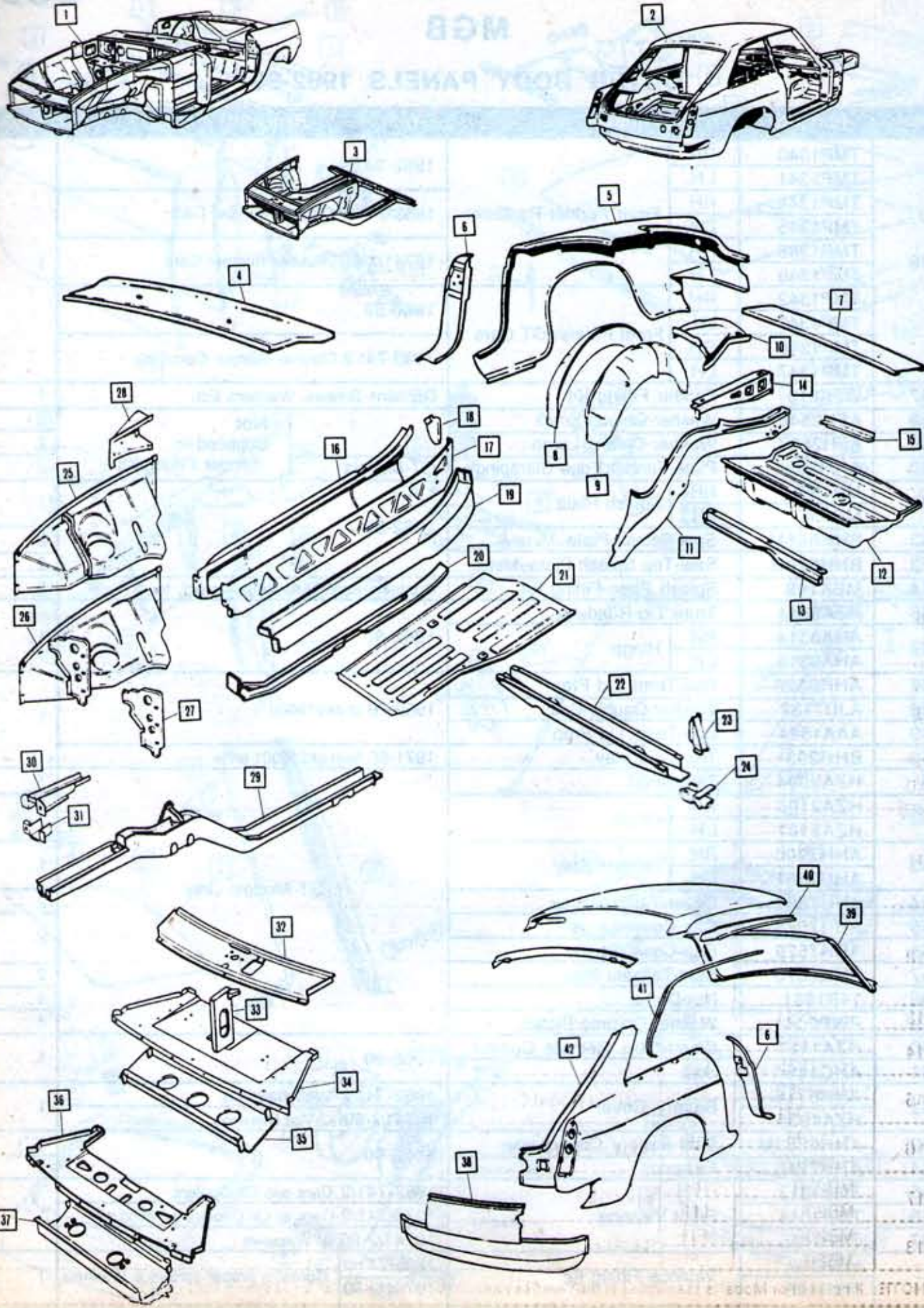


Ill No.	Part No.	Description	Year	Remarks	Qty.	
36	TMP1340	RH	1962-68		1	
	TMP1341	LH				
	TMP1344	RH				
	TMP1345	LH	1969-74 1/2 Chrome Bumper Cars			
	TMP1348	RH	1974 1/2-80 Rubber Bumper Cars			
	TMP1349	LH				
	TMP1342	RH	1966-68			
	TMP1343	LH				
	TMP1346	RH				
TMP1347	LH					
37	WFK910	Fender Fitting Kit	Contains Screws, Washers Ect.		1	
38	AFH2546	Washer-Oblong-Small		Not Supplied in Fender Fitting Kit	6	
39	AFH2627	Washer-Oblong-Large			2	
40	AHH8094	Plate-Fender Edge Clamping	GT-Models		2	
41	MB19R	RH	1962-80		1	
	MB19L	LH				
42	BHH626M	Seal-Splash Plate-/Meter			2	
43	BHH626M	Seal-Top Splash Plate-/Meter			2	
44	MBK109	Splash Plate-Fitting Kit	Contains Bolts-Nuts-Washers ect. for 1 Plate			2
45	HZA5511	Trunk Lid-Roadster			1	
46	AHA6314	RH	1962-80		1	
	AHA6315	LH				
47	AHH6326	Rod-Trunk Lid Prop			1	
48	AJD7732	Washer-Double Coil	1962-70 to c#219000			
49	AAA1524	Clip-Trunk Lid Prop	1971-80 from c#219001 on			
50	BHH293	Trunk Lid Stay			1	
51	HZA3994	Tailgate-GT			1	
52	HZA2100	RH	1962-80		1	
	HZA2101	LH				
53	AHH7900	RH	1962-80	GT Models-Only	1	
	AHH7901	LH				
54	AHH7899	Cover-Tailgate Stay			2	
55	AHH7578	Cap-Cover-Large			2	
56	AHH7579	Cap-Cover-Small			2	
57	AHH7575	Stud-Tailgate Stay			4	
58	14B1981	Nut-Dome			4	
59	PWP204	Washer-Chrome Plated			4	
60	HZA1431	Cover-Gbx. Remote Control	1968-80		1	
61	AHC188	Seal			1	
62	AHH6716	Battery Cover	1962-74 1/2-6Volt Batteries		1	
	HZA4935		1974 1/2-80-12 Volt Batteries			
63	AHH6352M	Seal-Battery Cover/Meter			1	
64	AHH7210	Fastener	1962-80		5	
65	TMP1313	Front Valance	1963-74 1/2 Cars w/o Oil Coolers		1	
66	TMP1314		1970-74 1/2 Cars w/ Oil Coolers w/ Windows			
67	TMP1315		1974 1/2-80 w/ Windows			
---	MBK107	Valance Fitting Kit	1962-74 1/2	Contains proper screws & Washers	1	
	MBK108		1974 1/2-80			



MGB

BODYSHELL & PANELS 1962-80



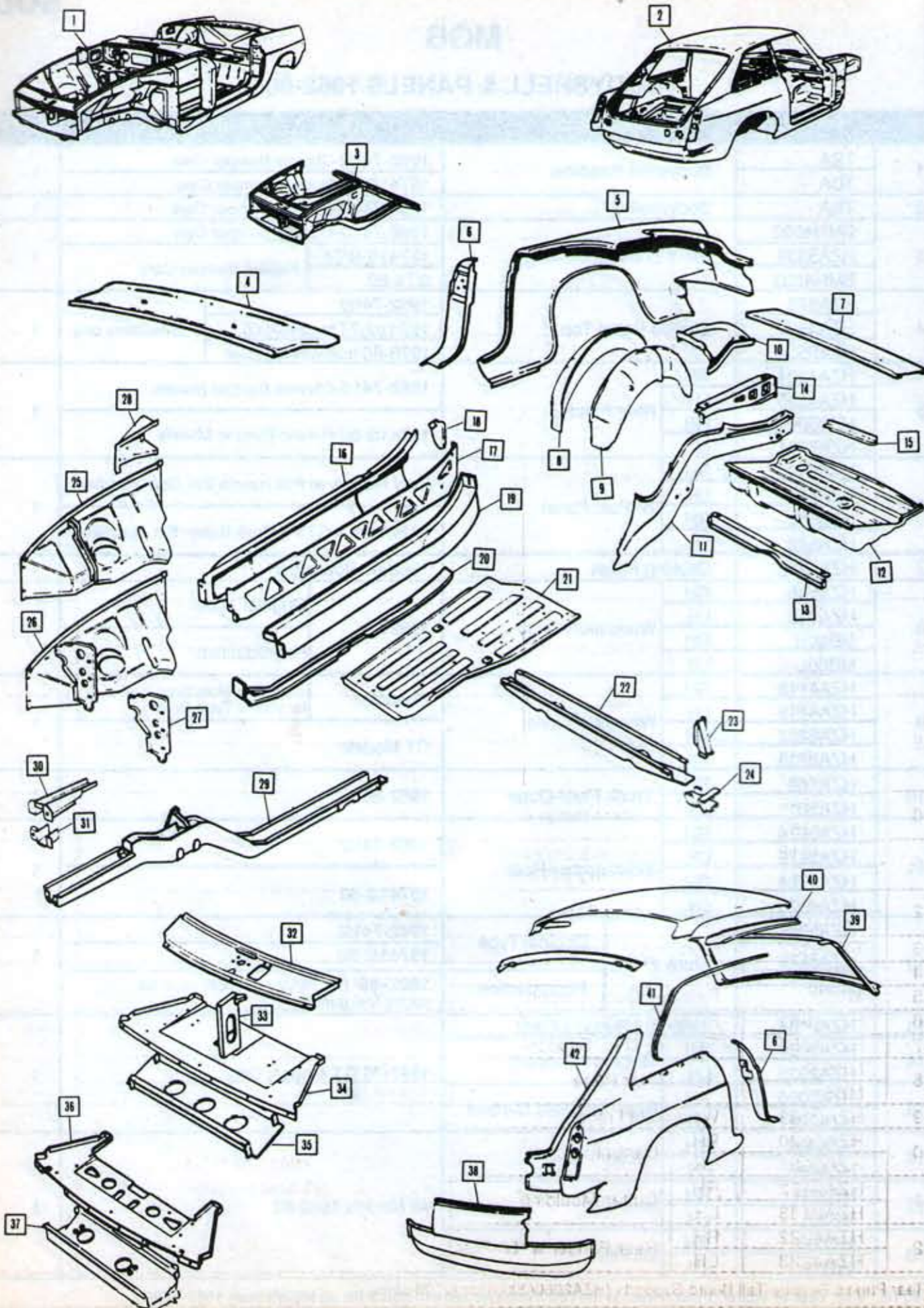
No.	Part No.	Description	Year / Remarks	Qty.	
1	TBA	Bodyshell-Roadster	1968-741/2-Chrome Bumper Cars	1	
	TBA		19741/2-80-Rubber Bumper Cars		
2	TBA	Bodyshell-GT	1968-741/2-Chrome Bumper Cars	1	
	BMH4002		Front End Assy.		1968-741/2-Chrome Bumper Cars
					19741/2-9/76
BMH4003	9/76-80				
4	HZA672	Shroud Panel-Top	1962-741/2	Roadsters only	
	HZA4929		19741/2-77 to c#447000		
	HZA5554		1978-80 from c#447001 on		
5	HZA4224	RH	Rear Fender	1962-741/2-Chrome Bumper Models	
	HZA4225	LH			
	HZA5000	RH		19741/2-80-Rubber Bumper Models	
	HZA5001	LH			
6	HZA444	RH	"B" Post Panel	Early Rdsters w/ Pull Handle Ext. Door Handles	
	HZA445	LH			
	HZA582	RH		All Rdsters & GT's w/Push Button Ext. Handles	
	HZA583	LH			
7	HZA4212	Decking Panel	1962-80 Roadsters	1	
8	HZA138	RH	Wheelarch-Outer	1962-80	
	HZA615	LH			
	MB60R	RH		Original Type	
	MB60L	LH		Reproduction	
9	HZA4118	RH	Wheelarch-Inner	Roadster	
	HZA4119	LH		GT Models	
	HZA2232	RH			
	HZA2233	LH			
10	HZA160	RH	Trunk Floor-Outer	1962-80	
	HZA161	LH			
11	HZA3974	RH	Sidemember-Rear	1962-741/2	
	HZA3975	LH		19741/2-80	
	HZA4924	RH			
	HZA4925	LH			
12	HZA535	Trunk Floor	Original Type	1962-741/2	
	HZA5529			19741/2-80	
	MB40		Reproduction	1962-80 (for 741/2 on a hole must be cut for fuel pump)	
13	HZA2154	Tailboard Support-Front	1967-75 GT Models Only	1	
14	HZA2034	RH			Tailboard Support
	HZA2035	LH			
15	HZA2060	RH			Rear-Tailboard Support
	HZA2061	LH			
16	HZA496	RH	Rocker Panel	All Models 1962-80	
	HZA497	LH			
17	MB23R	RH	Inner Sill		
	MB23L	LH			
18	MB26R	RH	Sill Filler		
	MB26L	LH			

NOTE: If no Year or Model is mentioned in the Year/Remarks column part # fits all MGB's from 1962-1980.



MGB

BODY PANELS 1962-80

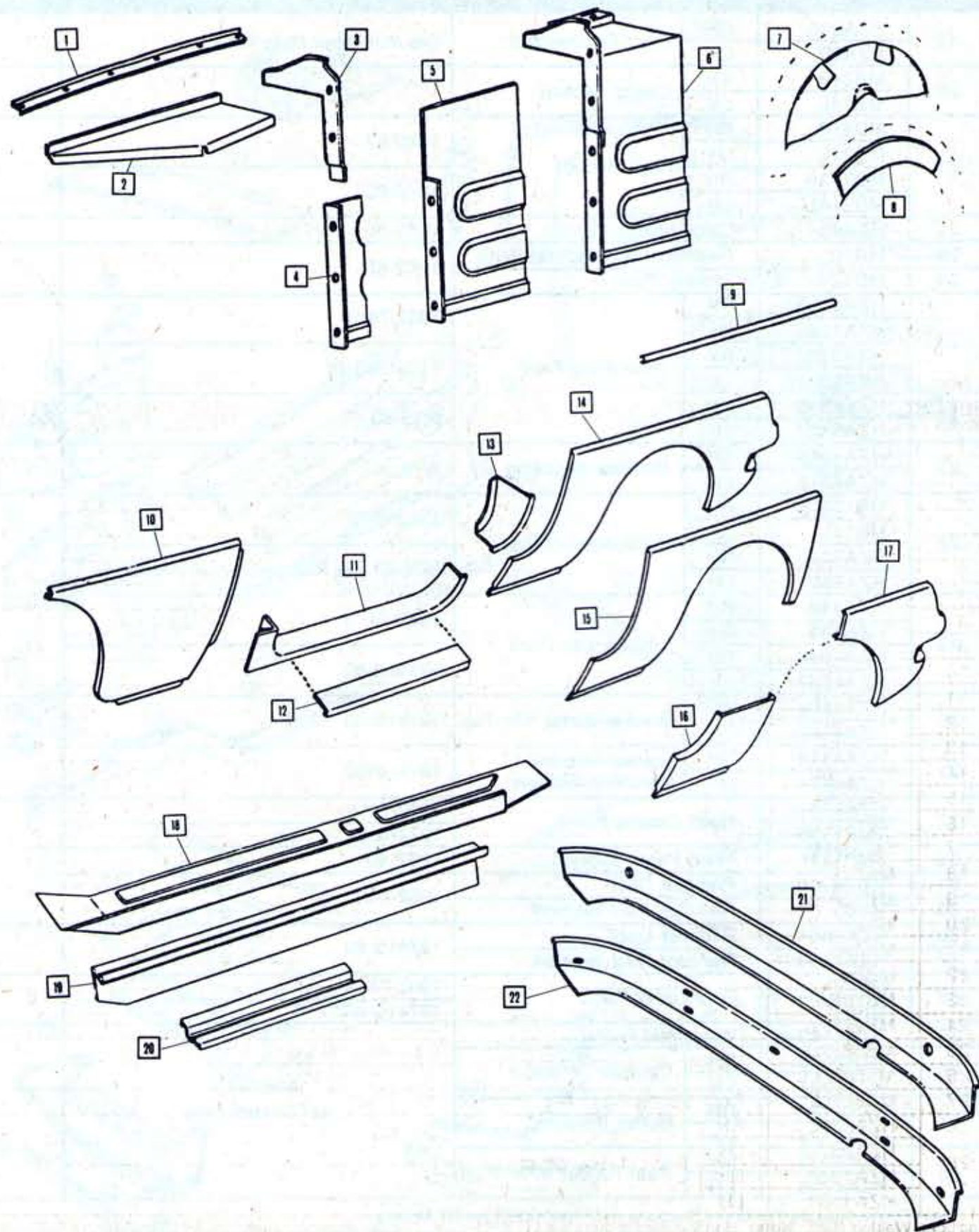


Ill No.	Part No.	Description	Year	Remarks	Qty.
19	HZA236	RH	Inner Sidemember	See Also Repair Panel MB22.	1
	HZA237	LH			
20	MB24R	RH	Castle Section		1
	MB24L	LH			
21	MB21R	RH	Floor Section	1962-67	1
	MB21L	LH		1968-80	
	MB21AR	RH			
	MB21AL	LH			
22	HZA464	Crossmember-Center	1962-80		1
23	MB30	Reinforcement Jacking Point	1962-80		2
24	MB32	Jacking Point			
25	HZA4192	RH	Inner Wing-Front	1962-741/2	1
	HZA4193	LH		19741/2-9/76	
	HZA5322	RH			
	HZA5323	LH			
26	HZA5346	RH		9/76-80	
	HZA5347	LH			
27	HZA4514	RH	Radiator Mounting Brk.	9/76-80	1
	HZA4515	LH			
28	MB17R	RH	Reinforcement-Inner	1962-9/76	1
	MB17L	LH		9/76-80 will fit all replacement inner wings	
	HZA5320	RH			
	HZA5321	LH			
29	HZA438	RH	Chassis Leg-Front	1962-741/2	1
	HZA439	LH		19741/2-80	
	HZA4966	RH			
	HZA4967	LH			
30	HZA4866	RH	Bracket-Bump. Mtg-Top	19741/2-80	1
	HZA4867	LH			
31	HZA4818	RH	Bracket-Bumper Mounting-Bottom	19741/2-80	1
	HZA4819	LH			
32	HZA388		Hood Closing Panel	1962-741/2	1
	TMP1336			19741/2-80	
33	TMP1337	Hood Panel Support	1962-80		1
34	MB64	Radiator Duct	1962-741/2		1
35	MB63	Radiator Duct Support			
36	HZA4851	Radiator Duct	19741/2-80		1
37	HZA4858	Radiator Duct Support			
38	MB53*		Rear Lower Panel	1962-741/2	1
	MB61*			19741/2-80	
39	HZA2163	Windshield Frame			1968-741/2 GT Models Only
40	HZA2020	RH	Cantrail		
	HZA2021	LH			
41	HZA2132	RH	Gutter Moulding		
	HZA2133	LH			
42	HZA4222	RH	Rear Fender w/"B" Post		
	HZA4223	LH			

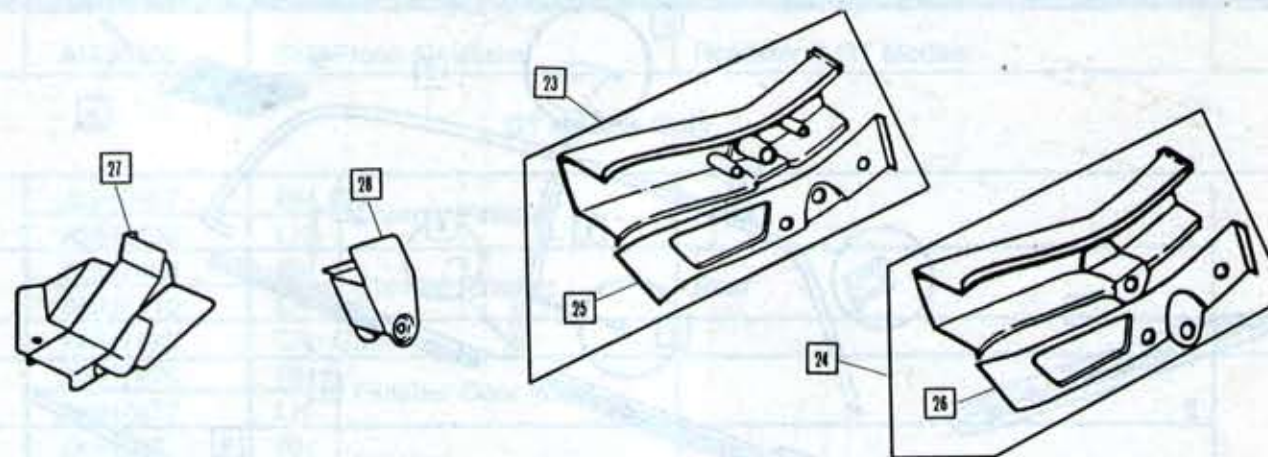
\*Rear Panels Require Tail Board Supports (HZA2060/2061) for GT Models.



MGB



MGB  
REPAIR PANELS 1962-80



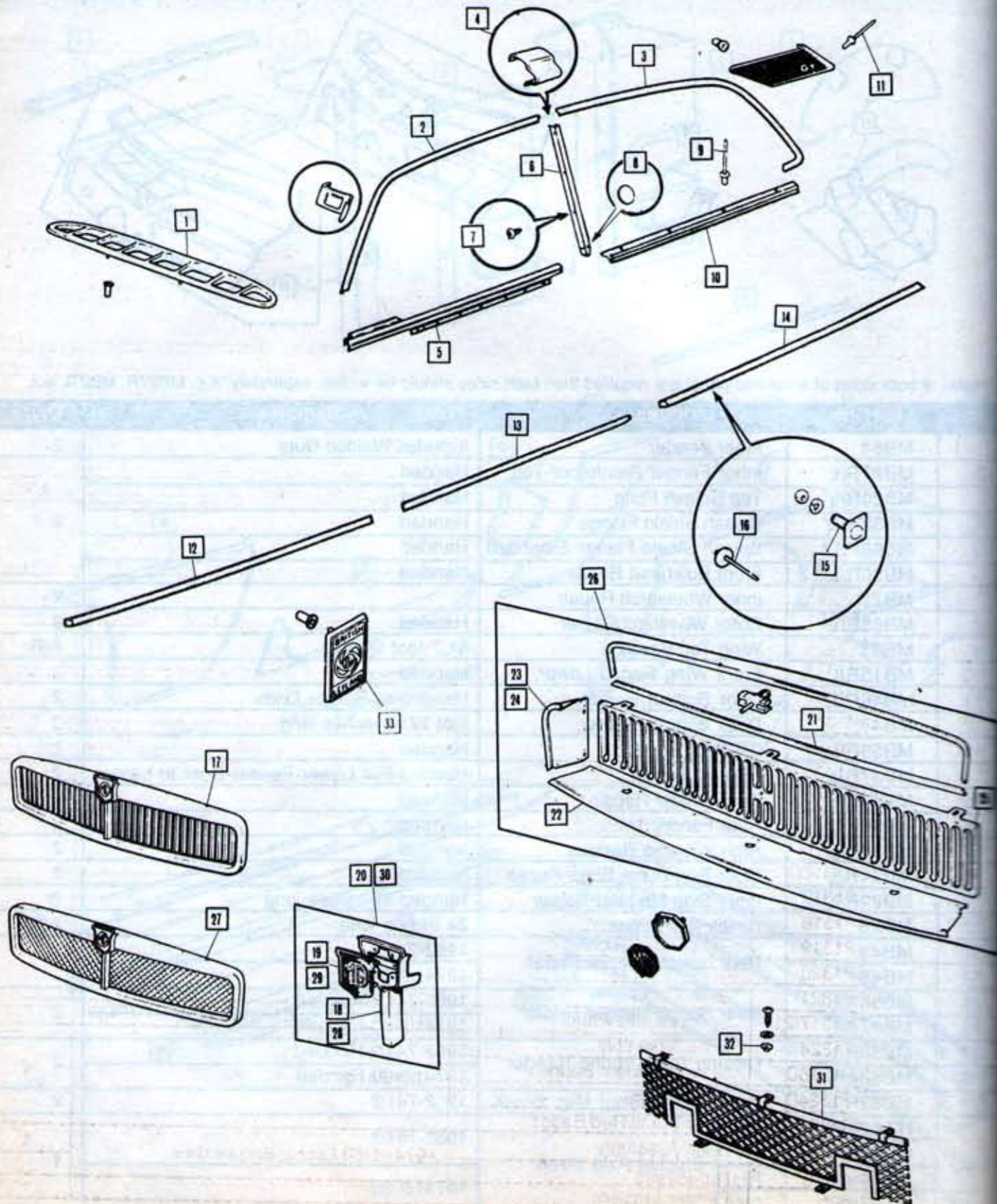
Note: If both sides of a handed panel are required then both sides should be written separately, e.g. MB27R, MB27L ect.

Ill No.	Part No.	Description	Year	Remarks	Qty.
1	MB51	Inner Fender		Includes Welded Nuts	2
2	MB27R/L	Inner Fender Reinforcer-Top		Handed	
3	MB20R/L*	Top Splash Plate		Handed	
4	MB52R/L*	Splash Shield Flange		Handed	2
5	MB68R/L*	Splash Shield Flange-Extended		Handed	
6	MB80R/L*	Front Bulkhead Repair		Handed	
7	MB77	Inner Wheelarch Repair			2
8	MB55R/L	Outer Wheelarch Repair		Handed	2
9	MB38	Wing Top Beading		5 1/2 foot lengths	A/R
10	MB15R/L	Front Wing Repair-Lower		Handed	2
11	MB46R/L	Door Bottom Repair		Handed-w/ Radius Ends	2
12	MB47	Door Bottom Repair		Flat 27 1/2 inches long	2
13	MB59R/L	"B" Post Repair		Handed	2
14	MB37R/L	Rear 1/2 Fender		Handed-Full Lower Fender-Door to Lamp	2
15	MB34R/L	Rear Fender Repair		Handed	2
16	MB36R/L	Rear Fender 1/4		Handed	2
17	MB35R/L	Arch to Lamp Repair		Handed	2
18	MB71R/L	Floor Pan Outer Edge-Repair		Handed	2
19	MB22R/L	Inner Side Member-Repair		Handed-48 inches long	2
20	MB25	Castle Rail Repair		24 inches long	A/R
21	MB41	Rear Lower Valence Repair		1962-74 1/2	1
22	MB45			1974 1/2-80	
23	MB56R/L	Rear Spring Hanger Repair		1962-74 1/2-Handed	2
24	MB57R/L			1974 1/2-80-Handed	
25	MB58R/L	Closing Plate-Spring Hanger		1962-74 1/2-Handed	2
26	MB58AR/L			1974 1/2-80-Handed	
27	MB83R/L	Rear Spring Front Mtg. Brack.		1962-74 1/2	2
28	HZA286	RH	Bracket-Axle Strap	1962-74 1/2	1
	HZA287	LH			
	HZA4960	RH		1974 1/2-80	
	HZA4961	LH			

\*Includes Welded Nuts. Note: Handed means there's a LH & RH side. Please order separately, i.e. MR27L = LH, MR27R = RH.



MGB



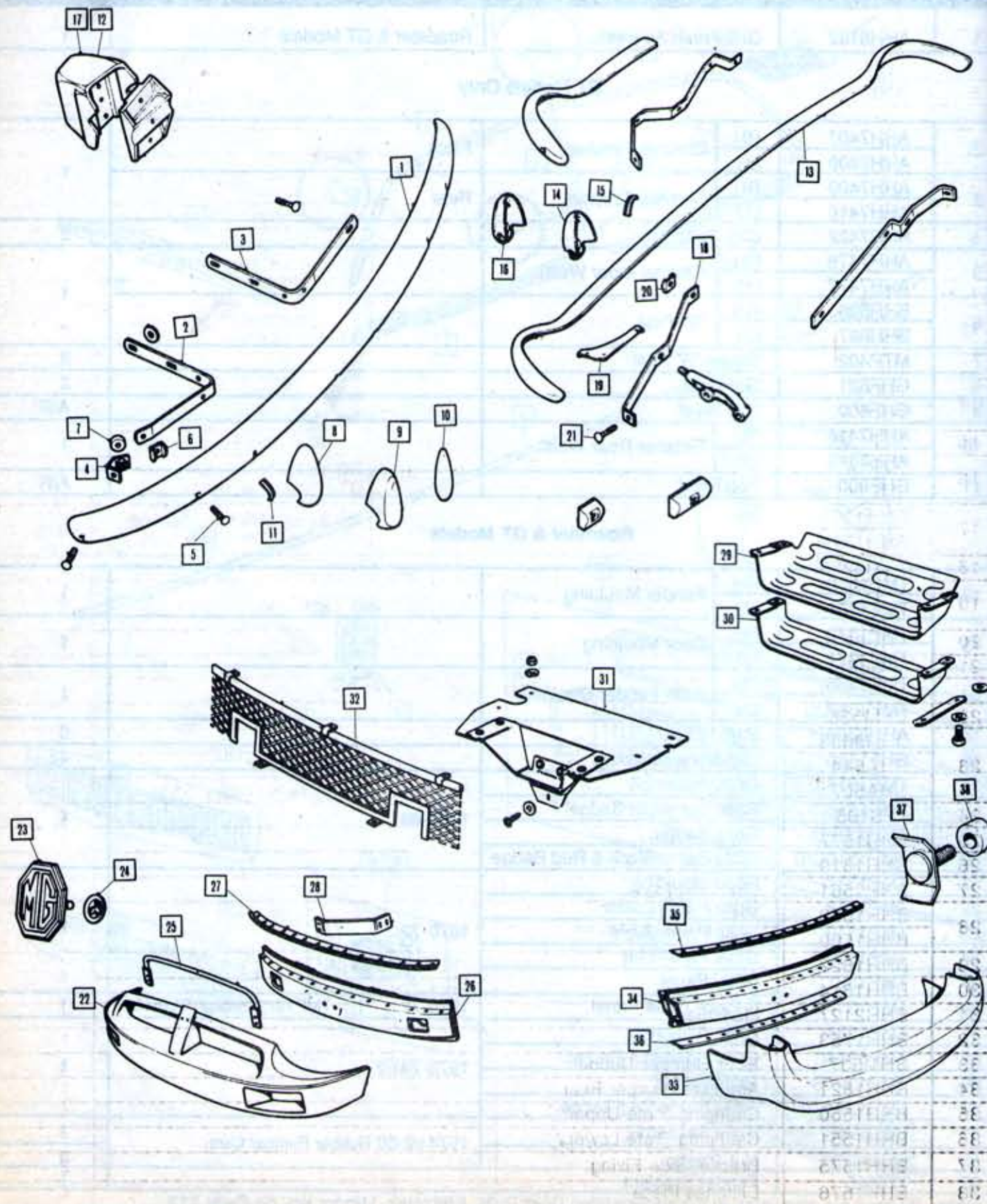
MGB  
CHROME TRIM, GRILLS ECT.

Ill No.	Part No.	Description	Year /	Remarks	Qty.
1	AHH6102	Grill-Fresh Air Intake	Roadster & GT Models		1
<b>GT Models Only</b>					
2	AHH7407	RH	Chrome Finisher	Front	1
	AHH7408	LH			
3	AHH7409	RH	Chrome Finisher	Rear	1
	AHH7410	LH			
4	AHH7422	Clip-Gutter			2
5	AHH7476	RH	Finisher-Door Waist		1
	AHH7477	LH			
6	BHH596	RH	"B" Post		8
	BHH597	LH			
7	MTP402	Screw-"B" Post			2
8	GHF821	Grommet			A/R
9	GHF600	Pop Rivet			1
10	AHH7418	RH	Finisher-Rear Waist		1
	AHH7419	LH			
11	GHF600	Pop Rivet			A/R
<b>Roadster &amp; GT Models</b>					
12	TMP1350	RH	Fender Moulding		1
	TMP1351	LH			
13	TMP1370	RH	Door Moulding		1
	TMP1371	LH			
14	TMP1386	RH	Rear Fender Moulding		1
	TMP1387	LH			
15	AHH6360	Stud Plate			6
16	GHF1435	Clip-Body Moulding			42
17	TMP1316S	Grille Assembly	1962-69		1
18	TMP1316C	Grille Bar w/out Badge			
19	TMP1316D	Grille Badge			
20	TMP1316C/D	Grille Bar w/Black & Red Badge	1970-72		1
21	TMP1317	Hood Moulding			
22	TMP1318	Grille Panel-Lower			
23	TMP1319	Grille Panel-Right			
24	TMP1320	Grille Panel-Left	1970-72		1
25	TMP1321	Grille Panel			
26	TMP1317/21	5-Piece Grille Panel			
27	TMP1324	Grille Assembly	1973-74 1/2		1
28	TMP1316C	Grille Bar w/out Badge			
29	TMP1324D	Grille Badge			
30	TMP1324C/D	Grille Bar w/Red Badge			
31	BHH1753	Grille Assembly	1974 1/2-80 Rubber Bumper Cars		1
32	13H2910	Nut-Plastic			3
33	725525	Fender Emblem			1

Note: Badges are also listed in the section titled Door Pulls, Emblems, Mirrors ect. on Page 112.



MGB

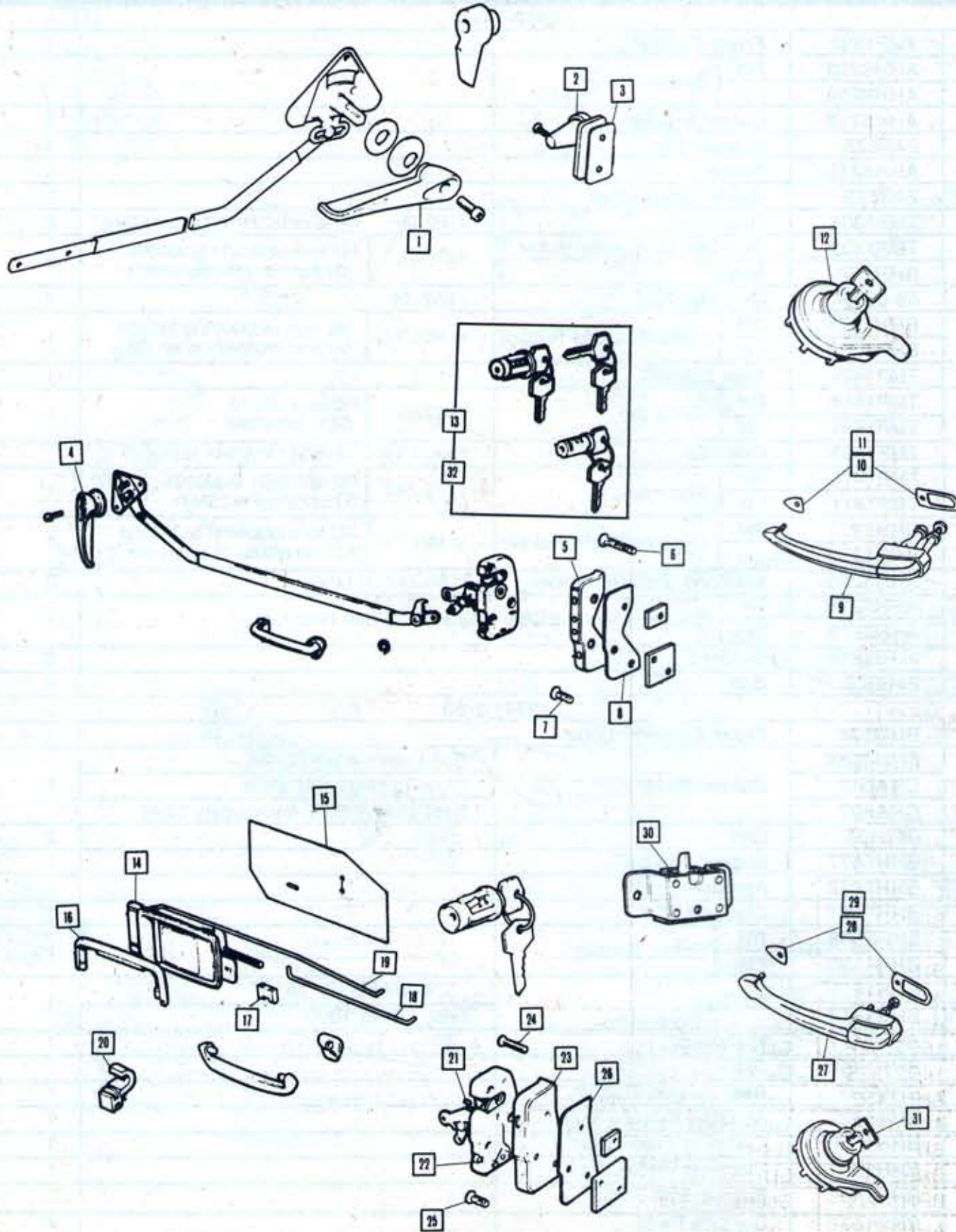


MGB  
BUMPERS

Ill No.	Part No.	Description	Year	Remarks	Qty.
<b>1962-741/2</b>					
1	TMP1300	<b>Front Bumper</b>			1
2	AHH6209	RH	Bracket		1
3	AHH6210	LH			
4	AHH6215	Corner Bracket			2
5	24G625	Bumper Bolt			4
6	AHH6216	Spacer			6
7	24G629	Rubber Spacer Pad			2
8	TMP1302	Override	1962-69	RD to c#187210 GT to c#187840	2
9	TMP1303	Override w/ Rubber Buffer	1970-74	RD from c#187211 to 339094 GT from c#187841 to 339471	2
10	BHH157	Buffer			
11	88-0209	Override Seal	1962-74		4
12	BHH1371	RH	Override-Solid Rubber	to Mid '74	RD from c#339095 to 360600 GT from c#339472 to 361100
	BHH1372	LH			
13	TMP1406	<b>Rear Bumper</b>			1
14	TMP1408	RH	Override	1962-69	RD to c#187210 GT to c#187840
	TMP1409	LH			
15	TMP1303	Override	Approx. 1970	c#187211 & 187841 to 219000	
16	TMP1410	RH	Override	1970-74	RD c#219001 to 339094 GT c#219001 to 339471
	TMP1411	LH			
17	BHH1371	RH	Override-Solid Rubber	to Mid '74	RD from c#339095 to 360600 GT from c#339472 to 361100
	BHH1372	LH			
18	AHH6250	Mounting Bracket-Bumper		to Mount TMP1406	2
19	AHH7278	RH	Finisher-Filler-Available Only in Pairs See Price List.		1
	AHH7279	LH			
20	AHH6216	Spacer			6
21	24G625	Bolt			4
<b>19741/2-80</b>					
22	BHM536	<b>Front Bumper-Rubber</b>			1
23	BHH2688	Bumper Badge	Red Letters-Early Style		1
	CHA544		Silver Letters-Later Style		
	CHA507		Gold Letters-50th Anniversary Style		
24	PFS106	Clip			2
25	BHH1577	Support-Bumper			1
26	BHH1819	Armature-Front			1
27	BHH1561	Clamping Plate			1
28	BHH1559	RH	Spring Bracket		1
	BHH1560	LH			
29	BHH1622	Air Duct	19741/2 to Sept. '76		1
30	BHH1614		Sept. '76 to 1980		
31	BHH2127	Mudshield			1
32	BHH1753	Grill			1
33	BHM537	<b>Rear Bumper-Rubber</b>			1
34	BHH1821	Armature-Bumper-Rear			1
35	BHH1550	Clamping Plate-Upper			1
36	BHH1551	Clamping Plate-Lower			1
37	BHH1575	Bracket-Side Fixing			2
38	BHH1576	Distance Piece			4



MGB



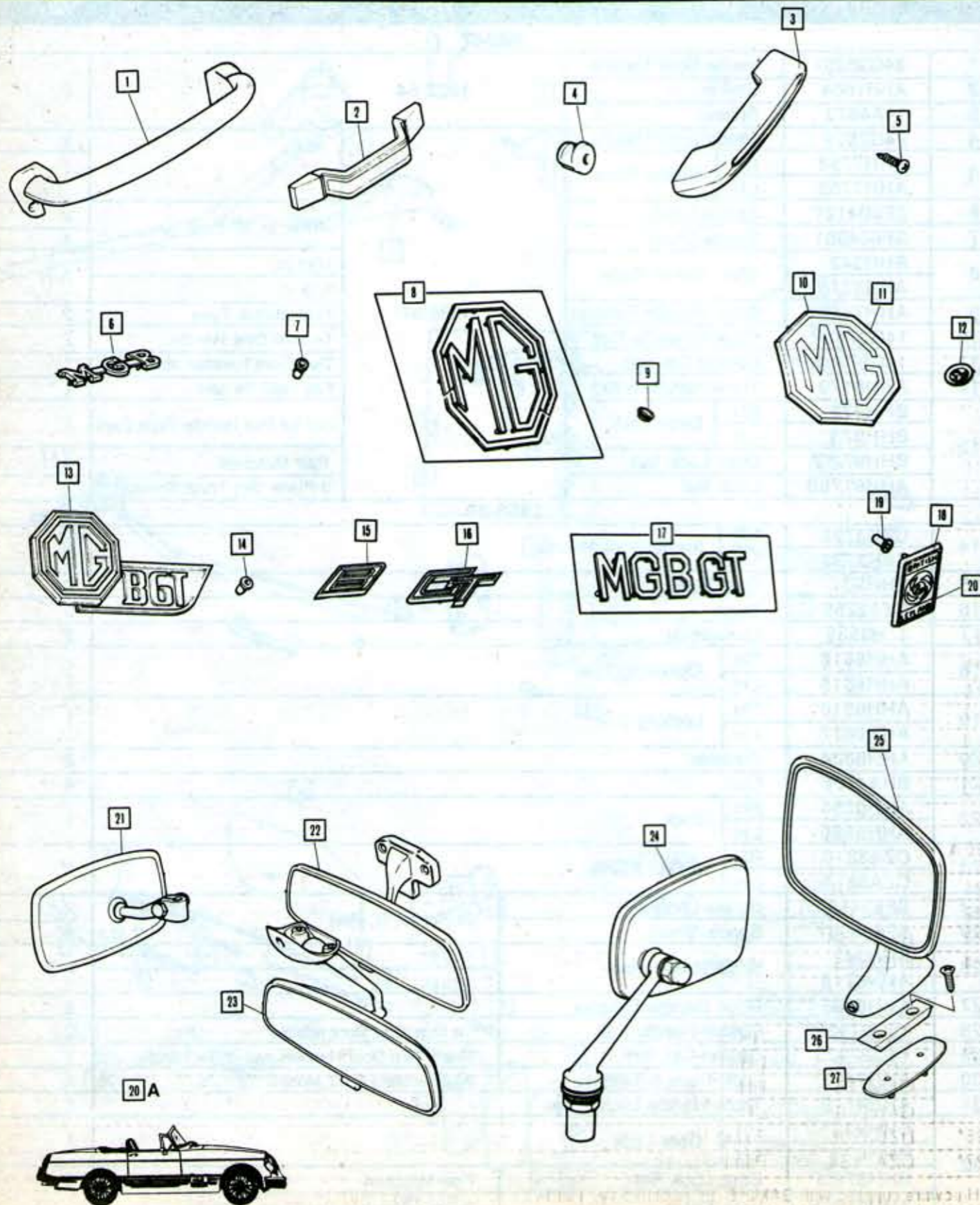
MGB

DOOR, TRUNK LOCKS, HANDLES, ECT. 1962-80

Ill No.	Part No.	Description	Year	Remarks	Qty.		
1962-67							
1	34G2529	Inside Door Handle	1962-64		2		
2	AFH1684	Striker					
3	14A4673	Spacer	1965-67				
4	34G2529	Inside Door Handle					
5	AHH7758	RH				Striker Plate	1
	AHH7759	LH					
6	SF604121	Screw-Long				Striker to "B" Post	2
7	SF604061	Screw-Short					4
8	BHH342	Shim-Striker Plate				1/32 in.	A/R
	AHH8715						
9	AHH7453	Door Handle-Exterior				Push Button Type	2
10	14G2792P	Gasket-Handle-Pair				To Seal <b>One</b> Handle.	2
11	14G2792S	Gasket-Car Set	<b>Two</b> Door Handles and Trunk	1			
12	AHH6179	Trunk Handle w/Key	Fits 1962-64 also	1			
13	BHH972	RH	Door Lock	Not for Pull Handle Type Cars	1		
	BHH973	LH					
	BHH972/3	Door Lock Set		Pair-Matched	1		
	AHH6179S	Lock Set		3-Piece Set-Trunk/Doors	1		
1968-80							
14	CZK3792	RH	Inside Door Handle		1		
	CZK3793	LH					
15	BHH901	Dust Seal		2			
16	CZA2259	Bezel		2			
17	37H3539	Connector		2			
18	AHH8818	RH	Operating Link		1		
	AHH8819	LH					
19	AHH8816	RH	Locking Link		1		
	AHH8817	LH					
20	AHH8834	Retainer		2			
21	BHA4705	Clip		4			
22	AHH9254	RH	Lock		1		
	AHH9555	LH					
23	CZA3310	RH	Striker Plate		1		
	CZA3311	LH					
24	SF604121	Screw-Long	Striker to "B" Post	2			
25	SF604061	Screw-Short		4			
26	BHH342	Shim-Striker Plate	1/32 in.	A/R			
	AHH8715		1/16 in.				
27	AHH8885	Door Handle-Exterior		2			
28	15G2792P	Gasket-Handle-Pair	To Seal <b>One</b> Door Handle	2			
29	14G2792S	Gasket-Car Set	Seals <b>Two</b> Door Handles and Trunk Handle	1			
30	AHH7450	Lock-Trunk & Tailgate		All Roadsters & GT Models 1967-75	1		
31	AHH6179	Trunk Handle Lock & Key		1			
32	BHH972	RH	Door Lock		1		
	BHH973	LH					
	BHH972/3	Door Lock Set		Pair-Matched	1		
	AHH6179S	Lock Set		3-Piece Matched Set-Trunk & Doors			



MGB



MGB

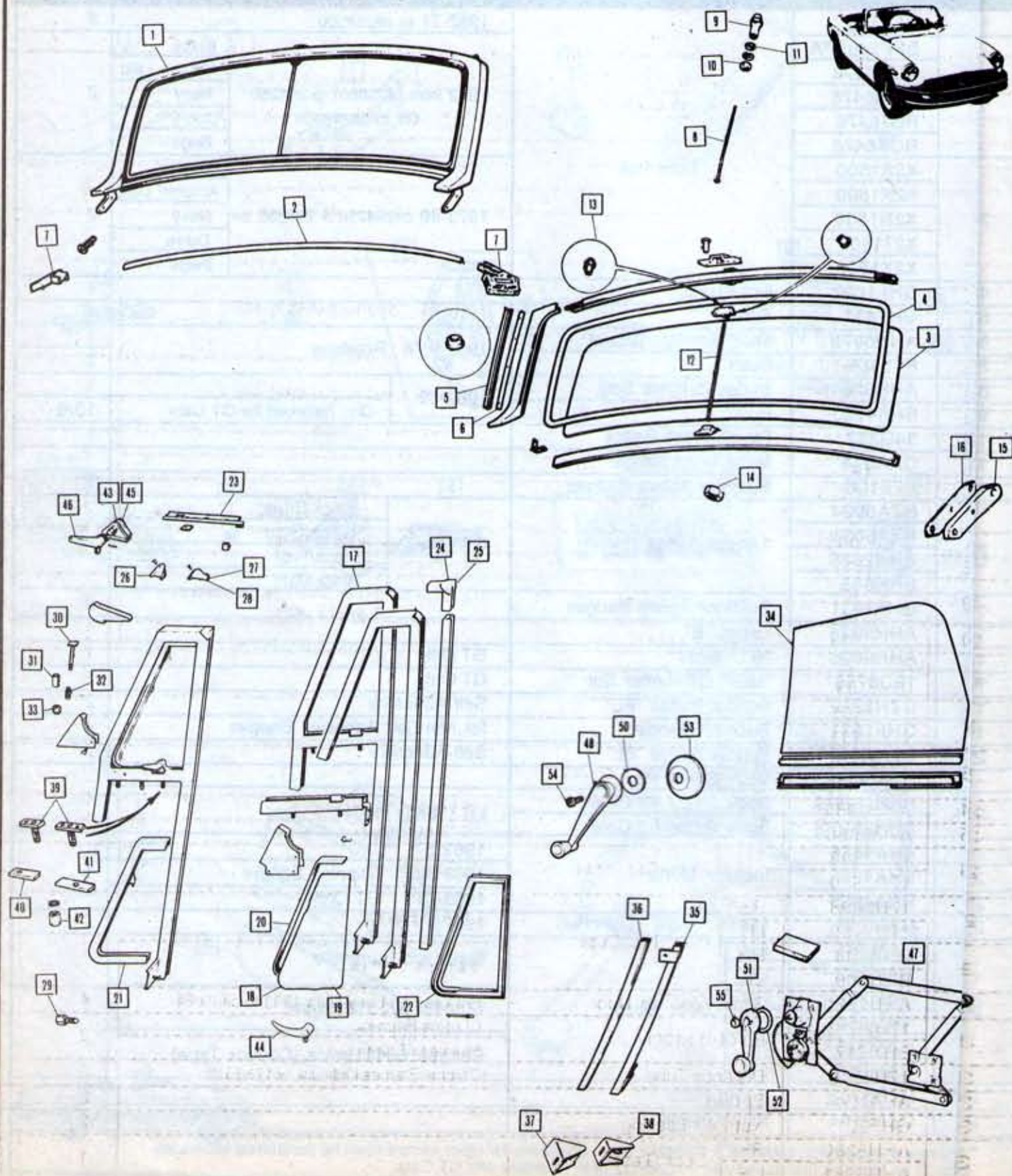
DOOR PULLS, EMBLEMS, MIRRORS, ECT.

Ill No.	Part No.	Description	Year / Remarks	Qty.	
1	GLZ118	Door Pull	1962-71 to c#258000	2	
2	BFP1469PA		1972 from c#258001 to 294250 GT to c#296000	Black	2
	RGK6476			Autumn Leaf	
	RGN6476			Navy	
	RGT6476			Ochre	
	RGX6476			Beige	
3	X2A1500	1973-80 c#294250 & 296000 on	Black	2	
	X2K1500		Autumn Leaf		
	X2N1500		Navy		
	X2T1500		Ochre		
	X2X1500		Beige		
4	GHF1027	Nut-Plastic		4	
5	GHF431	Screw		4	
6	AHH6079	MGB-Emblem (Script)	1962-9/76 Roadster	1	
7	PFS103	Bush		2	
8	AHH5261K	Badge (3-Piece Set)	1962-69	1	
9	BHA4553	Bush	Qty. Reduced for GT Cars	13/9	
10	34G252	Plastic Trunk Badge		1	
11	CHA545	Metal Trunk Badge			
12	PFS106	Bush-for Above Badges		3	
13	HZA5024	Tailgate Badge	Black/Silver	1	
	HZA5031		Black/Gold		
	BHH2685		Black/Red		
	BHH855		Black/Blue		
14	GHF1531	Bush-for Above Badges		3	
15	AHH9926	Letter "B"		1	
16	AHH9925	"GT" Motif	GT Only	1	
17	18G8766	"MGB GT" Letter Set	GT Only	1	
18	CZH2717	Fender Badge "BL"	Self Adhesive	2	
19	GHF1531	Bush for Badge	for non-Self Adhesive Badges	4	
20	CZH2717	Fender Badge "BL"	Self-Adhesive	2	
---	HZA5026/31	Body Stripe Kit			
20 A	BHH2689S	Body Stripe Kit-Silver	LE (1980) Model	1	
	BHH2697S	Body Stripe Kit-Gold			
21	BHA4806	Interior Mirror	1962-67	1	
22	BHA4960		1968-80 (Dipping Style)		
23	BHA4955		1968-75 GT Only		
24	GAM118	Mirror-Fender (Optional)	1962-1973	2	
25	GAM261	RH	Black w/o Hardware	1	
	GAM262	LH			
	GAM258	RH	Chrome w/o Hardware		
	GAM259	LH			
	GAM215	RH	Chrome w/Hardware (Convex Type)		
GAM216	LH				
26*	DZB5208	Fixing Plate		2	
27*	CZA7164	Plinth-Plastic		2	

\*Hardware supplied with GAM215 & GAM216 only. Hardware for other mirrors must be purchased separately.  
 Note: If no Model is mentioned part number fits both Roadster and GT Cars.



MGB



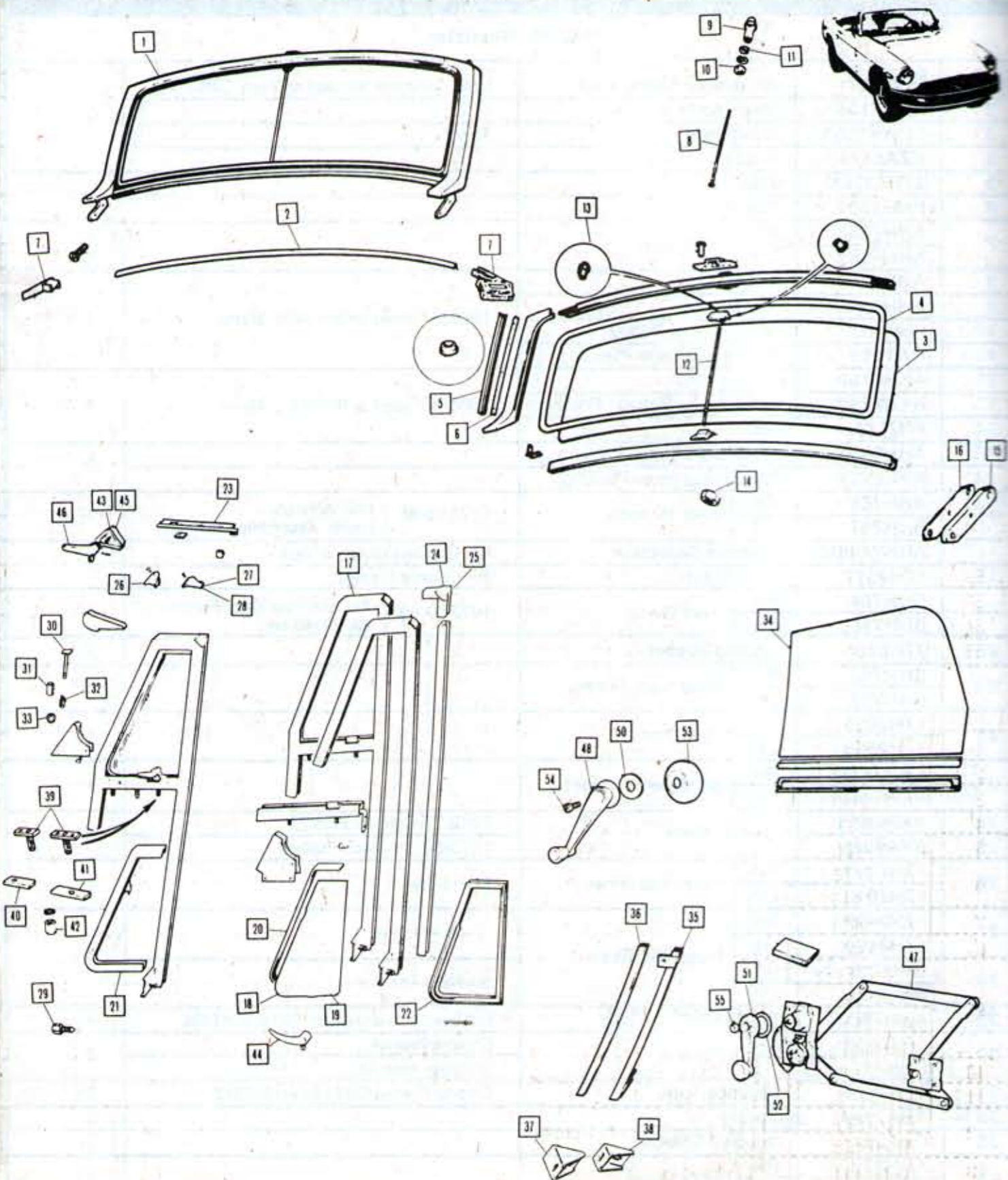
MGB

GLASS, RUBBER SEALS, CHROME MOULDINGS ECT.

Ill No.	Part No.	Description	Year	Remarks	Qty.
1962-80 Roadster					
1	BHH2671	Windshield Frame Assy.	Later Style can be used on Early Cars.		1
2	AHH7136	Seal-Frame to Body			
3	FCW415SX	Windshield	Tinted		
4	HZA5414	Windshield Seal			2
5	27H4300M	Pillar Seal			
6	BHH2669	Seal Retainer			1
7	AHH7068 AHH7069	RH LH	Pillar Seal		
8	AHH6411	Center Rod			1
9	AHH6495	Nut-Domed	1963-67 used w/BHA4806 Mirror		
10	FNP103	Nut-Chrome Plated			
11	PWP203	Washer-Chrome Plated			1
12	AHH8750	Center Rod	1968-80 used w/BHA4960 Mirror		
13	AHH8749	Nut-Rod to Bottom Bracket			2
14	FNZ103	Nut			
15	AHH6413	Windshield Outer Packing			1
16	AHH6414	Windshield Inner Packing			
17	BHH706 BHH707	RH LH	1972 1/2-80	c#279340 on Earlier Assemblies are NLA	2
18	AHH7448M	Channel Seal/Meter	For Dropless Guide in Vent		
19	17H2517	Vent Glass	For Chrome Frames		1
20	BHH704 BHH705	RH LH	1972 1/2 80	For Stainless Steel Frames c#279340 on	
21	27H8705	Glazing Rubber			1
22	BHH702 BHH703	RH LH	Inner Vent Frame		
23	17H2505 17H2506	RH LH	Vent Seal		1
24	AHH7478 AHH7479	RH LH	Seal Vent to Door		
25	AHH8935	Corner Block	1962-72 Chrome Frames		2
26	AHA9986	Corner Block	1973-80 Stainless Frames		
27	17H2509 17H2510	RH LH	Pivot-Top Inner		1
28	17H2498 17H2499	RH LH	Pivot-Top Outer		
29	BHH708 BHH709	RH LH	Stainless Frames		4
30	AHH7520	Screw-Vent to Door	Not used on Early Cars 1962 to c#65864		
31	17H2512 BHH717	Pivot-Bottom	Chrome Frames		2
32	17H2518	Distance Tube	Stainless Frames		
33	AHA7544	Spring	Chrome Frames Only use w/17H2512		2
34	GHF221	Nut-Self Locking			
35	AHH6380 AHH6381	RH LH	Door Glass		1



MGB



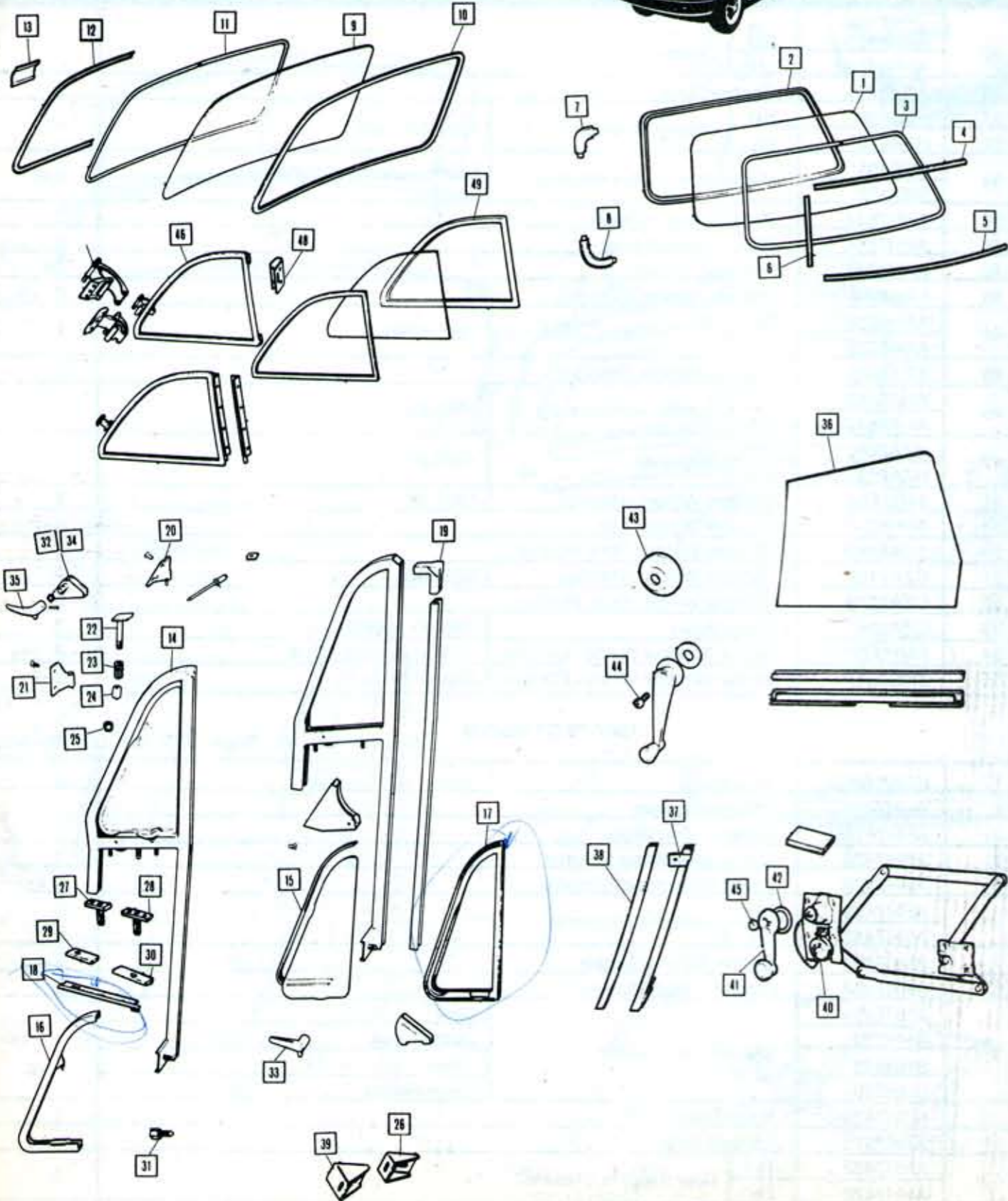
MGB

GLASS, RUBBER SEALS, CHROME MOULDINGS ECT.

Ill No.	Part No.	Description	Year	Remarks	Qty.
35	AHH8403	RH Channel			1
	AHH8404	LH Channel			1
36	AHH8405	Channel Seal			2
37	HZA678*	RH Bracket-Channel	1968-80 Front		1
38	HZA679*	LH Bracket-Channel	1968-80 Front		1
39	BRS101	Repair Screw-Vent Window	Large		A/R
	BRS102	Repair Screw-Vent Window	Small		A/R
40	AHH7544	Reinforcement-Front			2
41	AHH7514	Reinforcement-Rear			2
42	AHH6343	Nut-Vent to Door			4
43	17H2513	Bracket-Handle (Curved)			2
44	AFH6532	RH Handle-Vent-Curved	1962-1968		1
	AFH6533	LH Handle-Vent-Curved	1962-1968		1
45	37H2975	Bracket-Handle (Straight)			2
46	AHA8446	RH Handle-Vent-Straight	1969-80		1
	AHA8447	LH Handle-Vent-Straight	1969-80		1
47	HZA664	RH Regulator	1968-80		1
	HZA665	LH Regulator	1968-80		1
48	34G2528	Window Winder (Handle)	1962-67		2
49	AHH6337	Window Winder Pad			2
50	ADA5669	Window Winder Fibre Washer			2
51	CZA7109	Window Winder (Handle)	1968-80		2
52	CZA2279	Window Winder Fibre Washer			2
53	CZA2367	Escutcheon	1968 to Approx. 1974		2
54	PMP308	Screw-Window Winder-Chrome	1968 to Approx. 1974		2
55	ZKC3317	Screw-Window Winder-Flanged	Approx. 1974-80		2
<b>1967-75 GT Models</b> <i>Illustration on Page 117 for GT Models</i>					
1	FCW192SX	Windshield	Tinted		1
2	AHH7404	Windshield Seal			1
3	AHH7815M	Locking Strip/Meter			1
4	AHH7426	Upper Windshield Chrome			1
5	AHH7425	Lower Windshield Chrome			1
6	AHH7439	RH Windshield Chrome			1
	AHH7440	LH Windshield Chrome			1
7	AHH7423	Corner Chrome-Upper			2
8	AHH7424	Corner Chrome-Lower			2
9	AHH7394	Glass-Rear-Tailgate	Clear		1
	BHH529		Clear-Heated		
	BHH513		Tinted		
	BHH530		Tinted-Heated		
10	AHH7403	Rear Glass Seal			1
11	AHH7815	Locking Strip			1
12	AHH7427	RH Rear Tailgate Chrome			1
	AHH7428	LH Rear Tailgate Chrome			1
13	AHH7441	Chrome Clip			2



MGB



MGB-GT (Only)

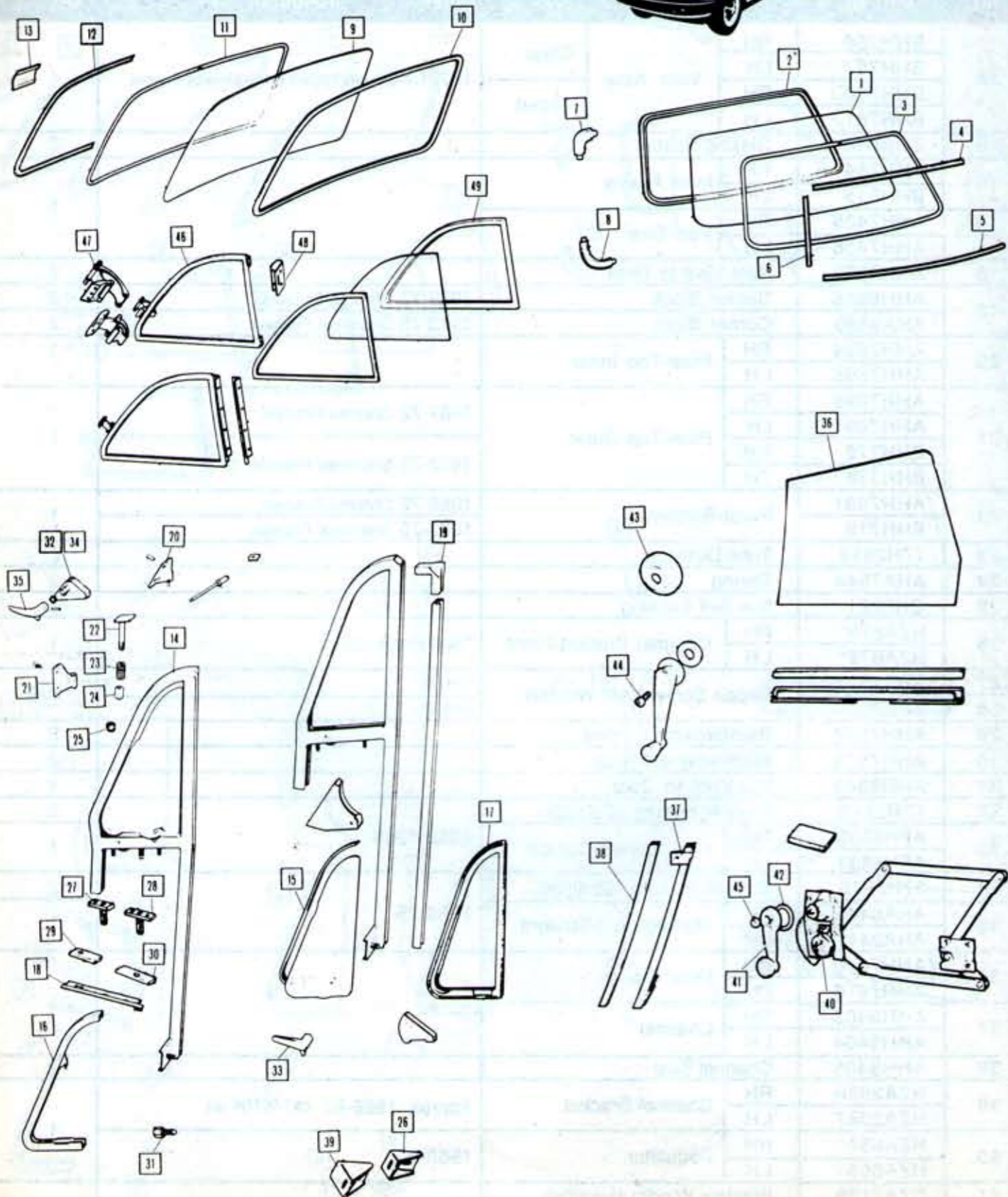
GLASS, RUBBER SEALS, CHROME MOULDINGS ECT.

Ill No.	Part No.	Description	Year	Remarks	Qty.
14	BHH756	RH	1972 1/2-80 c#279340 on Stainless Frame	Clear	1
	BHH757	LH			
	BHH760	RH		Tinted	
	BHH761	LH			
15	27H8705	Glazing Rubber			2
16	BHH714	RH	Inner Frame		1
	BHH715	LH			
17	AHH7435	RH	Vent Seal		
	AHH7436	LH			
18	AHH7529	Seal-Vent to Door			2
19	AHH8935	Corner Block	1968-72 Chrome Frames		2
	AHA9986	Corner Block	1973-75 Stainless Frames		2
20	AHH7694	RH	Pivot-Top Inner		1
	AHH7695	LH			
21	AHH7696	RH	Pivot-Top Outer	1967-72 Chrome Frames	1
	AHH7697	LH		1973-75 Stainless Frames	
	BHH775	RH			
	BHH776	LH			
22	AHH7691	Pivot-Bottom	1968-72 Chrome Frames		1
	BHH716		1973-75 Stainless Frames		
23	17H2518	Tube-Distance			2
24	AHA7544	Spring			2
25	GHF221	Nut-Self Locking			2
26	HZA678*	RH	Channel Bracket-Front	*See Page 120	1
	HZA679*	LH			
27	BRS101	Repair Screw-Vent Window	Large		A/R
28	BRS102		Small		
29	AHH7544	Reinforcement-Front			2
30	AHH7514	Reinforcement-Rear			2
31	AHH6343	Nut-Vent to Door			4
32	17H2513	Bracket-Handle (Curved)			2
33	AFH6532	RH	Handle-Vent-Curved	1962-1968	1
	AFH6533	LH			
34	37H2975	Bracket-Handle (Straight)			2
35	AHA8446	RH	Handle-Vent-Straight	1969-75	1
	AHA8447	LH			
36	AHH7415	RH	Door Glass		1
	AHH7416	LH			
37	AHH8403	RH	Channel		
	AHH8404	LH			
38	AHH8405	Channel Seal			2
39	HZA2086	RH	Channel Bracket	Approx. 1968-80 c#146104 on	1
	HZA2087	LH			
40	HZA664	RH	Regulator	1968-80	
	HZA665	LH			
41	CZA7109	Window Winder (Handle)	1968-75		2
42	CZA2279	Window Winder Fibre Washer			
43	CZA2367	Escutcheon	1968 to Approx. 1974		2



(Only) TD-80M

MGB



MGB-GT (Only)

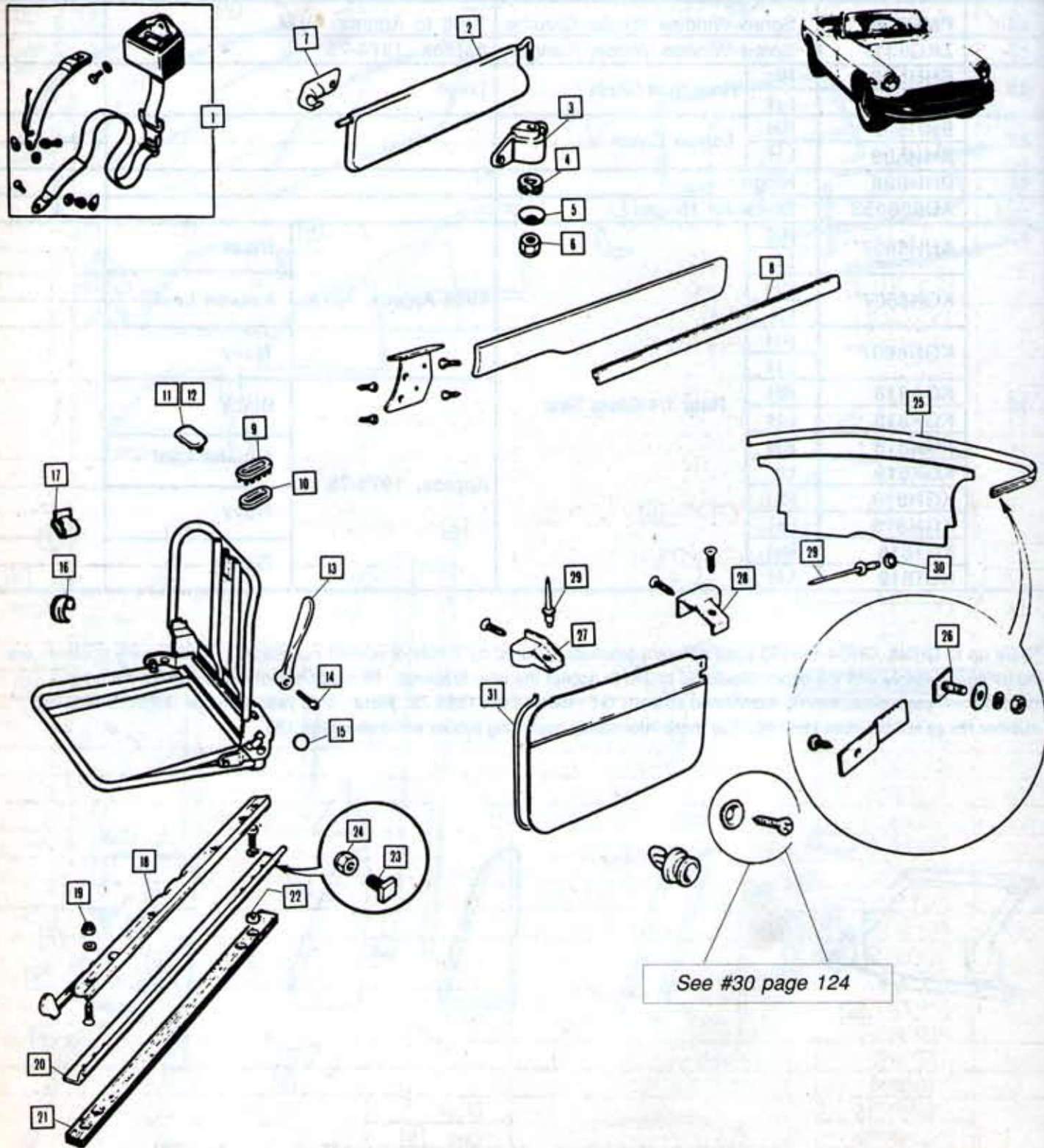
GLASS, RUBBER SEALS, CHROME MOULDINGS, ECT.

Ill No.	Part No.	Description	Year	Remarks	Qty.	
44	PMP308	Screw-Window Winder-Chrome	1968 to Approx. 1974		2	
45	ZKC3317	Screw-Window Winder-Flanged	Approx. 1974-75		2	
46	BHH572	RH	Rear Side Glass	Tinted	1	
	BHH573	LH				
47	BHH598	RH	Toggle Catch		1	
	BHH599	LH				
48	BHH698	Hinge			2	
---	AD606053	Screw-for Hinge			4	
49	AHH8607**	RH	Rear 1/4 Glass Seal	1968-Approx. 1973	Black	1
		LH			Autumn Leaf	
	LH	Navy				
	KGA818	RH		Approx. 1973-75	Black	
		LH			Autumn Leaf	
	KGK818	RH			Navy	
	KGK819	LH	Ochre			
	KGN818	RH				
	KGN819	LH				

\*Cars up to GHN4, GHD4-146103 used different brackets secured by 2 sets of screws per bracket. These early brackets are no longer available and the doors should be drilled to accept the later brackets. All replacement doors require the later brackets. \*\*Later seals can be substituted on early GT models from 1968-73. **Note:** If no year or model is mentioned part number fits all MGB's from 1962-80. For more information regarding rubber seals see page 135.



MGB



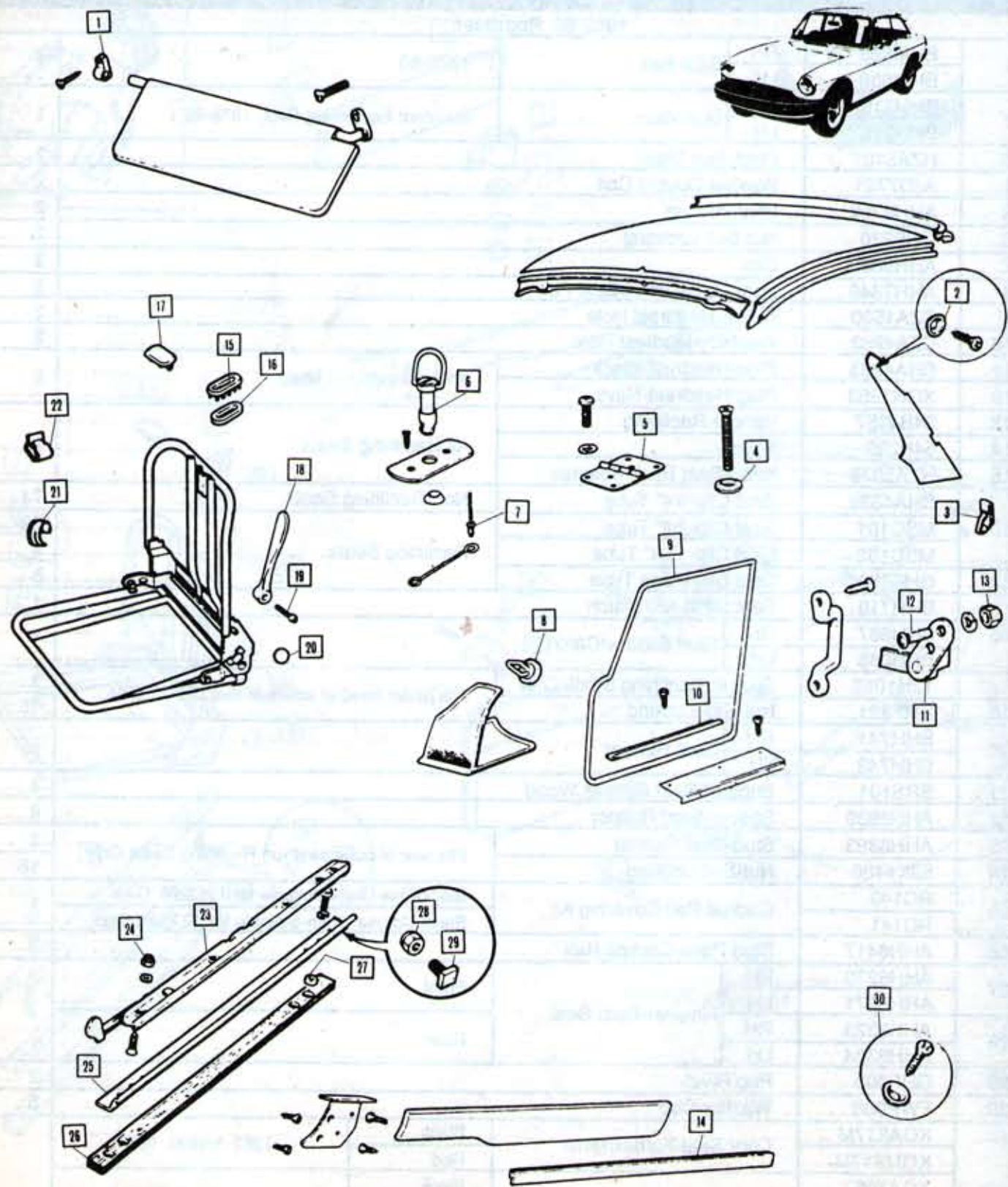
MGB  
INTERIOR TRIM, SEAT BELTS ECT.

Ill No.	Part No.	Description	Year	Remarks	Qty.
<b>1962-80 Roadster</b>					
1	BHM635	RH	1975-80	Seat Belt	1
	BHM636	LH			
2	BHH2168	RH	Standard Equipment-Sept. 1976-80	Sun Visor	1
	BHH2167	LH			
3	HZA5101	Pivot-Sun Visor			2
4	AJD7721	Washer-Double Coil			2
5	AHH8799	Washer-Cup			2
6	GHF220	Nut-Self Lockong			2
7	AHH9838	Clip			2
8	AHH7848	Door Glass Inner Seal-Felt			2
9	CZA4500	Eyelet-Headrest Hole			2
10	CZA4263	Washer-Headrest Hole			2
11	BHA4985	Plug-Headrest-Black		If Headrests not fitted	2
12	XGN1953	Plug-Headrest-Navy			
13	24B4057	Handle-Reclining			All Reclining Seats
14	54K205	Screw			
15	HZA5076	Knob-Seat Back Release			
16	BHA4339	Seat Clip-3/4" Tube		Non-Reclining Seats	74
	MSC101	Seat Clip-7/8" Tube		Reclining Seats	32
	MSC102	Seat Clip-11/4" Tube			4
17	GHF1500	Seat Clip-Edge Type			8
18	BHH719	Seat Slide-w/o Catch			1
	BHH687	RH	Seat Slide w/Catch		1
	BHH688	LH			
---	12H1062	Spacer-Reclining Seats Only		Fits under head of screw at rear of seat slide.	1
19	GHF221	Nut-Self Locking			16
20	BHH741	RH	Seat Runner		2
	BHH742	LH			
21	SRS101	Support-Seat Runner Wood			4
22	AHH6939	Spacer-Seat Runner			8
23	AHH8893	Stud-Seat Runner			Fits rear of outer seat run-Reclining Seats Only
24	53K1420	Nut-Self Locking			
25	RC140	Cockpit Rail Covering Kit		Black-Fine Grain Suitable for 1962-69 Cars	1
	RC141			Black-Coarse Grain-Suitable for 1970-80 Cars	
26	AHH6417	Stud Plate-Cockpit Rail			9
27	AHH6270	RH	Finisher-Door Seal		1
	AHH6271	LH			
28	AHH6323	RH	Rear		
	AHH6324	LH			
29	GHF600	Pop Rivet			2
30	FWP906	Washer-Cup			8
31	KGA817M	Door Seal-Furflex/Meter		Black	1962-Approx. 1972
	KGM817M			Red	
	XGA7927	Door Seal-Plastic		Black	Approx. 1972-80 Plastic door Seal will fit all year cars.
	XGK7927			Autumn Leaf	
	XGN7927			Navy	
	XGT7927			Ochre	
XGX7927	Beige				

See #30 page 124



MGB



MGB-GT (Only)  
INTERIOR TRIM, ECT.

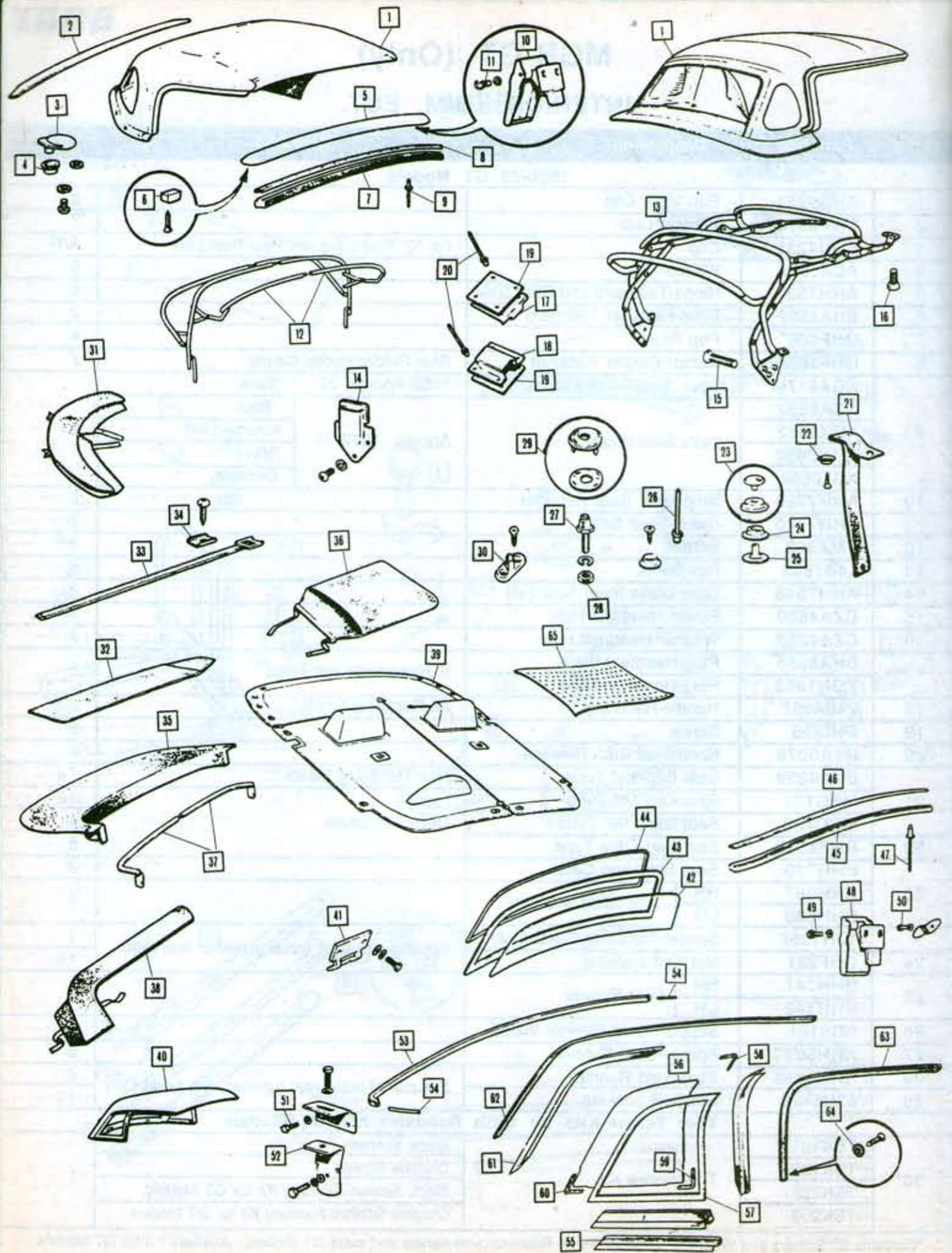
Ill No.	Part No.	Description	Year	Remarks	Qty.
1968-75 GT Models					
1	AHH9251	Sun Visor Clip			2
2	FWP906	Washer-Cup			2
3	ADU4235	Clip		For "C" Post Liner and Rear Roof Liner	A/R
4	ACA5374	Washer-Cup			6
5	AHH7527	Hinge-Tailboard and Rear Seat			6
6	BHA4537	Dzus Fastener-Tailboard			2
7	GHF600	Pop Rivet			4
8	GHF1054	Button-Carpet Retainer		Rear Fender Pocket Carpet	2
9	KGA817M	Door Seal-Furflex/Meter	1968-Approx. 72	Black	2
	XGA6652	Door Seal-Plastic	Approx. 1972-75	Black	
	XGK6652			Autumn Leaf	
	XGN6652			Navy	
	XGT6652			Ochre	
10	AHH7768	Strip-Door Seal Retainer			2
11	AHH7740	Catch-Rear Seat			2
12	PMZ308	Screw			4
13	14B7889	Nut-Dome			4
14	AHH7848	Door Glass Inner Seal-Felt			2
15	CZA4500	Eyelet-Headrest Hole			2
16	CZA4263	Washer-Headrest Hole			2
17	BHA4985	Plug-Headrest-Black		If Headrests not fitted	2
	XGN1953	Plug-Headrest-Navy			
18	24B4057	Handle-Reclining		All Reclining Seats	2
19	54K205	Screw			2
20	HZA5076	Knob-Seat Back Release			2
21	BHA4339	Seat Clip-3/4" Tube		Non-Reclining Seats	74
	MSC101	Seat Clip-7/8" Tube		Reclining Seats	32
	MSC102	Seat Clip-1 1/4" Tube			4
22	GHF1500	Seat Clip-Edge Type			8
	BHH719	Seat Slide-w/o Catch			2
	BHH687	RH	Seat Slide w/Catch		1
BHH688	LH				
---	12H1062	Spacer-Reclining Seats Only		Fits under head of screw at rear of seat slide.	1
24	GHF221	Nut-Self Locking			16
25	BHH741	RH	Seat Runner		2
	BHH742	LH			
26	SRS101	Support-Seat Runner Wood			4
27	AHH6939	Spacer-Seat Runner			8
28	AHH8893	Stud-Seat Runner		Fits rear of outer seat run-Reclining Seats Only	2
29	53K1420	Nut-Self Locking			16
<b>Trim Screw Kits for Both Roadster and GT Models</b>					
30*	TSK101	Trim Screw Kit	Black Screws		1
	TSK102		Chrome Screws		
	TSK201		Black Screws-Auxillary Kit for GT Models		
	TSK202		Chrome Screws-Auxillary Kit for GT Models		

\*Contains 50 Screws and Washers sufficient for all Roadster trim panels and most GT Models. Auxillary Kit for GT Models contains screws and washers to hold rear capping and tailgate liners for 1970-75 Models.



MGB

CONVERTIBLE TOPS, HARDTOPS, TONNEAU COVERS ECT.



Ill No.	Part No.	Description	Year	Remarks	Qty.
1	CG2188	Robbins Top	1963-64	Top Folds w/Frame	1
	---	AMCO Top			
	CG2188A	Robbins Top	1965-70	Top & Bows Remove and Stow in Trunk	
	CGV1162	AMCO Top			
	CG2189	Robbins Top	1965-70	Top Folds w/Frame. Grey Top Frame	
	CGV1382	AMCO Top			
	CG2190	Robbins Top	1971-76	Folds w/Frame	
	---	AMCO Top			
CG2191 or TT	Robbins Top	1971-80	Folds w/Frame w/Zip-Out Rear Window (Black). TT= TAN on TAN		
CGV1352	AMCO Top				
2	BHH101	Back Bar-Convertible Top			1
3	14B1730	Top Retainer-Rear			2
4	AAA5130	Washer-Cup			2
5	BHH496	Header Rail			1
6	AHH6439	Pad-Header Rail			2
7	BHH2273	Seal-Header Rail			1
8	AHH6440	Retainer-Seal			1
9	GHF600	Pop Rivet			15
10	AHA9772	Head Catch-Satin Finish	1971-80		2
11	53K126	Screw		4	
12	AHH6109/10	Top Frames-Packaway-Pair	1962-70 to c#219000		1
13	BHH346	Top Frame Assy.-Folding	1971-80 c#219001 on		1
14	AHH8391	Socket-Top/Tonneau-Chrome	1962-Approx 1971 1/2 to c#246724		1
	BHH611	Socket-Top/Tonneau-Black	1971 1/2-80 from c#246725 on		
15	CMZ428	Screw-Frame/Socket to Body	Folding Frames Only		6
16	SF604061	Screw-Frame to Header Rail			
17	AHH6884	Tongue			A/R
18	AHH6883	Socket			A/R
19	AHH6882	Backplate			A/R
20	GHF600	Pop Rivet			A/R
21	BHH913	Strap-Top Stowage	For Folding Frames		2
22	FWP208	Washer-Cup			
23	7H9866S	Double Dot-Female	2-Piece		A/R
24	ADB4811	Durable Dot-Male			A/R
25	7H9868	Base-Durable Dot			A/R
26	GHF600	Pop Rivet			A/R
27	97H717	Peg-Lift the Dot-Threaded			8
28	FNZ103	Nut			8
29	LFS100S	Fastener-Lift the Dot-2-Piece			A/R
30	LFP116	Peg-Lift the Dot "T" Base			A/R
31	AHH6754	Stowage Bag-for Top Frames	For Packaway Frames		1
32	AHH6755	Stowage Bag-for Top			
33	AHA5217	Strap-Top Stowage			2
34	AHH6866	Plate			4
35	BHH1050	Top Cover	For Folding Frames		1
36	AHH9276	Stowage Bag-Top Cover			
37	AHH6529/30	Support Rail-Tonneau/Top	Pair		1
38	AHH6757	Stowage Bag-Support Rail			



MGB

CONVERTIBLE TOPS, HARDTOPS, TONNEAU COVERS ECT.

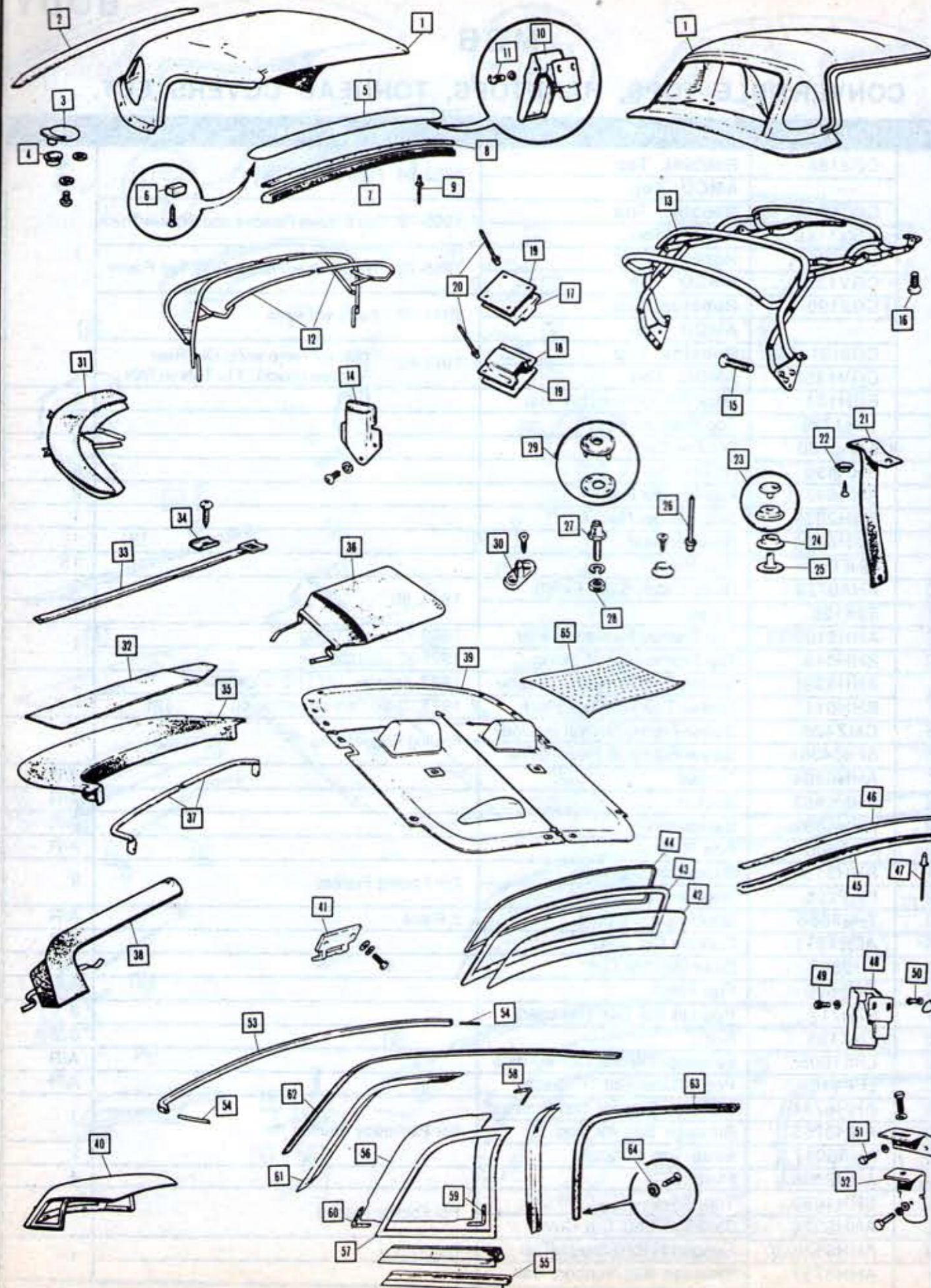
Ill No.	Part No.	Description	Year	Remarks	Qty.
39	TC1188	Tonneau Covers	1963-64	w/Side Zippers	1
	TC1189		1965-70	w/Side Zippers	
	TCH1189		1965-70	w/Headrest Pockets and Side Zippers	
	TC1190		1971-80	w/Side Zippers w/o Headrest Pockets	
	TCH1190		1971-80	w/Headrest Pockets and Side Zippers	

**Hardtops:** Original Hardtops are discontinued. A replacement top is now available. The following parts are available to restore your top back to it's original condition.

40	MGH001	Replacement Hardtop			1
41	AHH7199	Bracket-Rear			2
42	AHH7207	Glass			1
43	AHH7108	Glazing Rubber			1
44	37H8052M	Insert		Sold in Meters	A/R
45	BHH2273	Seal-Header Rail			1
46	AHH6440	Retainer-Seal			1
47	GHF600	Pop Rivet			15
48	AHA7709	Hood Catch-Chrome	1962-741/2		2
	AHA8491	Hood Catch-Satin Finish	19741/2-80		
49	53K126	Screw			4
50	PMP308	Screw-Chrome			2
51	AHH7293	Screw		Bracket to Hardtop	6
52	AHH7203	Locator-Side			2
53	AHH7290	Seal-Hardtop to Body-Rear			1
54	AHH7292	Insert-Hardtop Seal			2
55	AHH7247	RH	Seal-Hardtop to Body		1
	AHH7248	LH			
56	AHH7234	Window-Side			2
57	17H9357M	Glazing Rubber		Sold in in Meters	A/R
58	AHH7236	Bracket-Side Window		Front Top	2
59	AHH7235			Front Lower	
60	AHH7237			Rear	
61	AHH7226	RH	Quarter Rail		1
	AHH7227	LH			
62	AHH7276	RH	Drip Moulding		1
	AHH7277	LH			
63	BHH1139	Seal-Hardtop to Drop Glass			2
64	FWP206	Washer-Cup			4
65	27H6841	Insulation Pad			A/R
**	SS42PCBL	Seat Savers		Black	1
	SS42PCTAN			Tan	

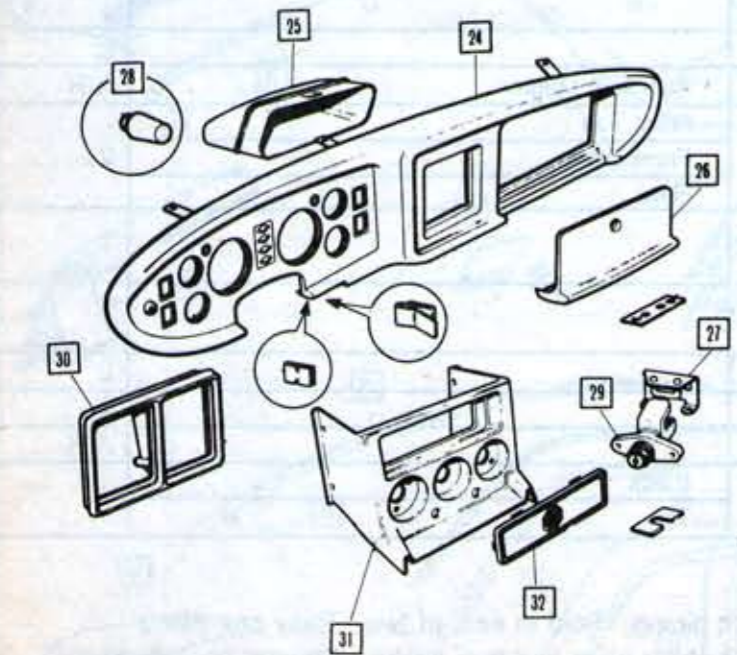
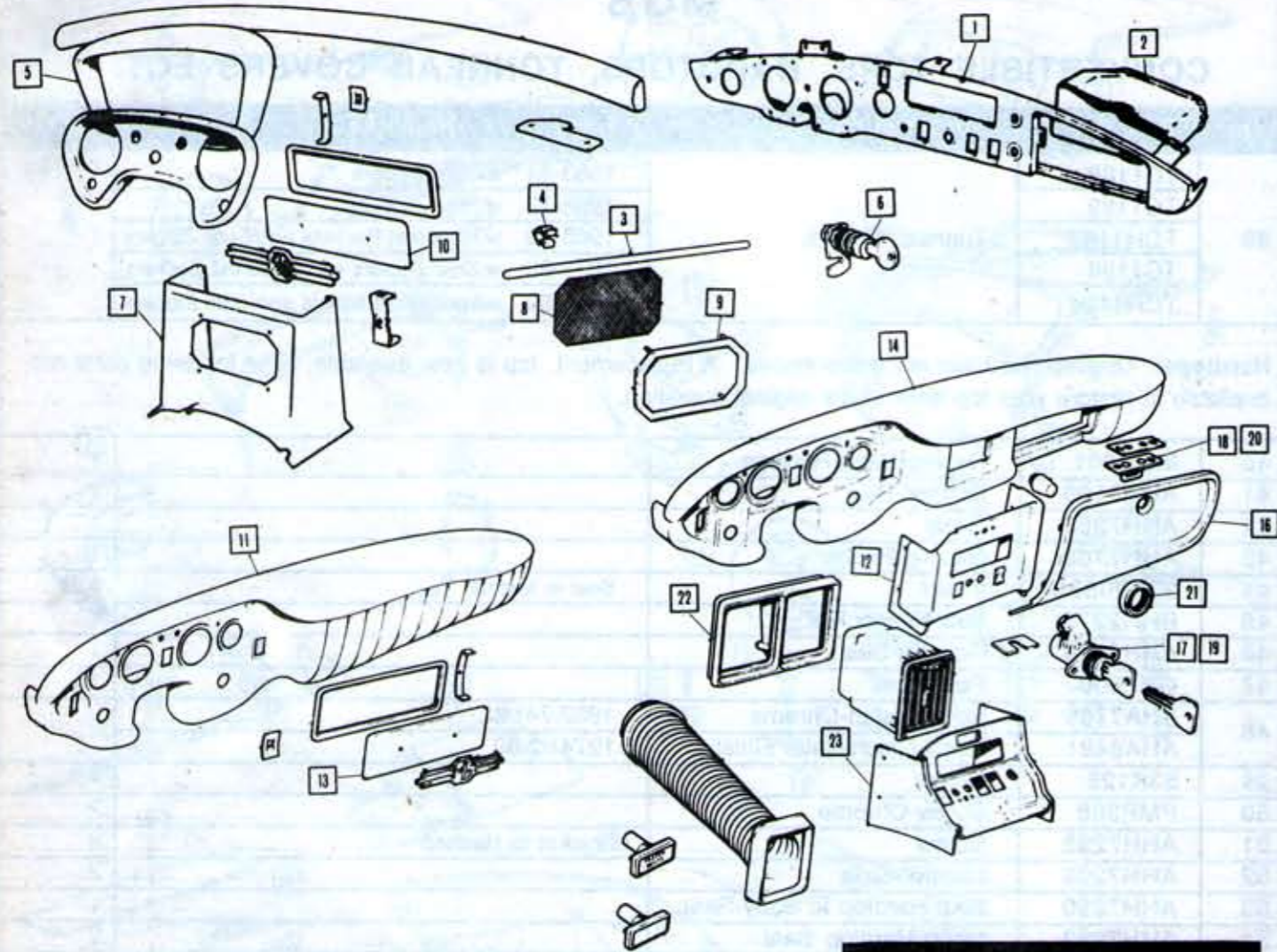
\*Can be interchanged.

\*\***Seat Savers:** Eurostyle Full Seat Covers with accent piping. Sold in sets of two. Easy one piece construction slips on over your existing seat to protect or hide wear and tear marks. Storage pockets on the rear to hide your valuables or to store maps> Heavy polyester cotton blend with super strong elastic bottom to hood your cover firmly in place. Machine washable for years of easy care.

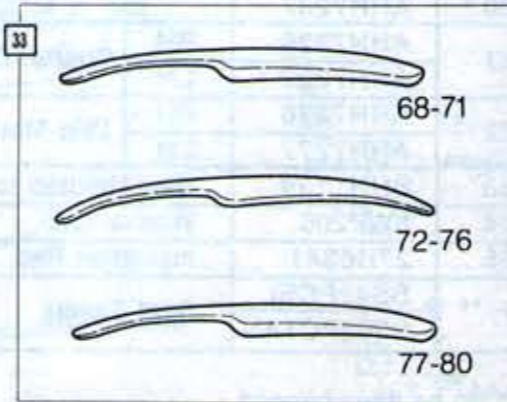




MGB  
DASHBOARDS, GLOVEBOX & RADIO CONSOLE



**COVERLAY**  
contoured dash covers



**COVERLAY Dash Covers:** Coverlays are contoured dash covers made of molded plastic and are designed to be quickly installed on top of your original dash. Easy to follow instructions make it possible for car owners to install Coverlays without special tools or mechanical skills. Since the Coverlay fits over the original dash instrument removal is not required.

Ashtray Assy.	AHH7061	1962-71
	HZA5390	1972-80

Ill No.	Part No.	Description	Year	Remarks	Qty.
---------	----------	-------------	------	---------	------

1962-67 to c#138400					
1	HZA4073	Dash Panel			1
2	AHH6339	Glovebox			1
3	BDH741	Finisher Glovebox Lid			1
4	14B934	Clip-Finisher			4
5	AHH6142	Hood-Instrument			1
6	AHH6331	Glovebox Lock			1
7	AHH6169	Console-from Dash to Transmission			1
8	AHH6742	Bezel-Speaker			1
9	AHH6753	Speaker Grille			1
10	ARH59A	Radio Blanking Assy.			1

1968-71 RD from c#138400 to 258000 GT to c#258003					
---	--	--	--	--	--

11	MGB-DP	Dash Pad Kit			1
12	AHH8737	Radio Console	1968-70 to c#219000		
	BHH300		1970-71 c#219001 on		
13	ARH59A	Radio Blanking Assy.			

1972-76 from c#258001 & c#258003 to c#410000					
--	--	--	--	--	--

14	BHH907	Dash Assembly			1
15	BHH493	Glovebox			1
16	BHH494	Glovebox Lid			1
17	BHH623	Lock	1972-72 1/2 to c#266522		1
18	BHH619	Catch-Striker			
19	CZK3970	Lock	1972 1/2-76 from c#266523 to 410000		1
20	BHH769	Catch-Striker			
21	CZK3555	Bezel-Lock			1
22	BHH503	Escutcheon-Vents			2
23	BHH697	Radio Console			1
23A	BHH467	Center Console			1

1977-80 c#410001 on					
---------------------	--	--	--	--	--

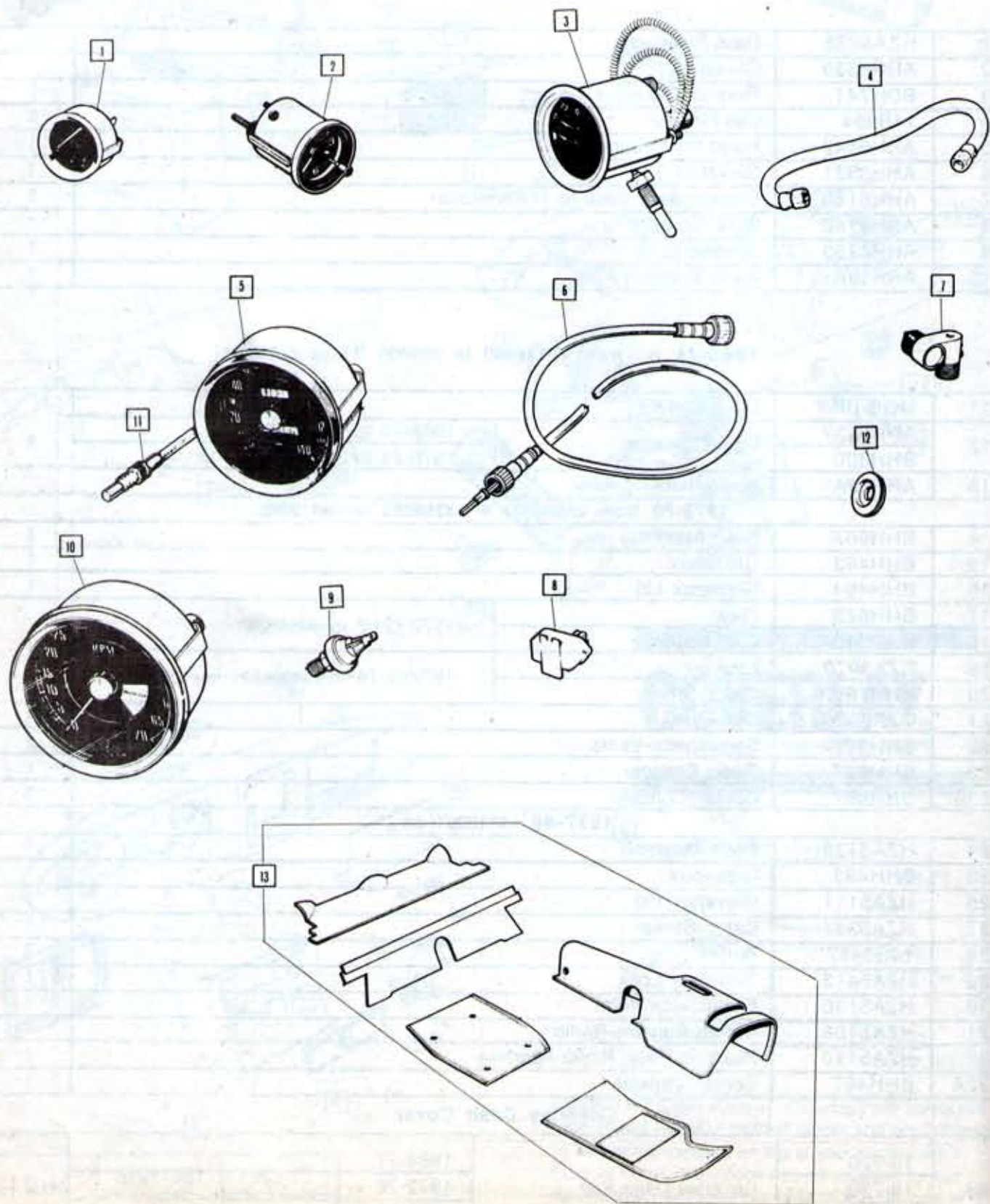
24	HZA5133	Dash Assembly			1
25	BHH493	Glovebox			1
26	HZA5111	Glovebox Lid			1
27	HZA5367	Catch-Striker			1
28	14G9467	Buffer			2
29	HZA5413	Glovebox Lock			1
30	HZA5130	Escutcheon-Vent			1
31	HZA5103	Center Console-Radio			1
32	HZA5110	Blanking Plate, Radio Aperture			1
32A	BHH467	Center Console			1

**Coverlay Dash Cover**

33	19-720	Coverlay Dash Pad	1968-71	1
	19-730		1972-76	
	19-740		1977-80	



MGB



MGB

GAUGES, CABLES & CARPET KITS

Ill No.	Part No.	Description	Year	Remarks	Qty.
<b>Gauges &amp; Cables</b>					
1	BF2226/00	Fuel Gauge	1972-76		1
	BF2239/01		1977-80		
2	AAU4948	Clock	1976-80		1
3	BP1200/02	Oil Gauge	1968-71	fits MGC also	1
	PL2324/00		1977-80	(AAU3033)	
4	AHH6554	Oil Pipe Flexible			1
5	SN5231/02	Speedometer	1972		1
	SN5373/00		1977-79		
	SRM6006/00		1980		
	SN5227/13		1968-71	w/OVD	
	SN5231/05		1971	w/OVD	
6	SN5230/08	Cable-Speedo	1972-76	w/OVD	1
	GSD111		1962-67	non-Overdrive-48"	
	DF1104/0053		1962-9/76	w/OVD-63"	
	GSD151		1968-9/76	non-Overdrive-54"	
	GSD315		9/76-80	non-Overdrive-1200mm	
7	DF2304/101700	Angle Drive	9/76-80	w/OVD-1700mm	1
	88-120694		1962-67	non-Overdrive-48"	
8	88-128484	Voltage Stabilizer	1962-67		1
	BHA4602		1968-80		
9	MTS142	Temperature Sender	1962-80		1
10	RVI1439/00	Tachometer	1972		1
	RVC1410/00		1972-76		
	RVC2432/00F		1977-79		
	RVI1439/00		1972 only	GT-Models	
	RVC1410/00		1973-75	GT-Models	
11	BHA4772	Odometer Cable Reset			1
12	RFR405	Grommet-Cable			1

QUALITY CARPET KITS (MADE IN USA)

13	01801	Carpet Kit-Includes Snaps but you must install yourself.	1962-67 Roadster	Black	1
	01820			Saddle	
	04801E		to 1967 GT Models	Black	
	04820E			Saddle	
	02801		1968-80 Roadster	Black	
	02820			Saddle	
	05801		1968-75 GT Models	Black	
04820	Saddle				
03820	1977-80 Roadster	Black-Front Saddle-Rear			

**Note:** When ordering gauges please read part number off the face of your original gauge to ensure receiving the correct part for your car.



# INTERIOR

## MGB

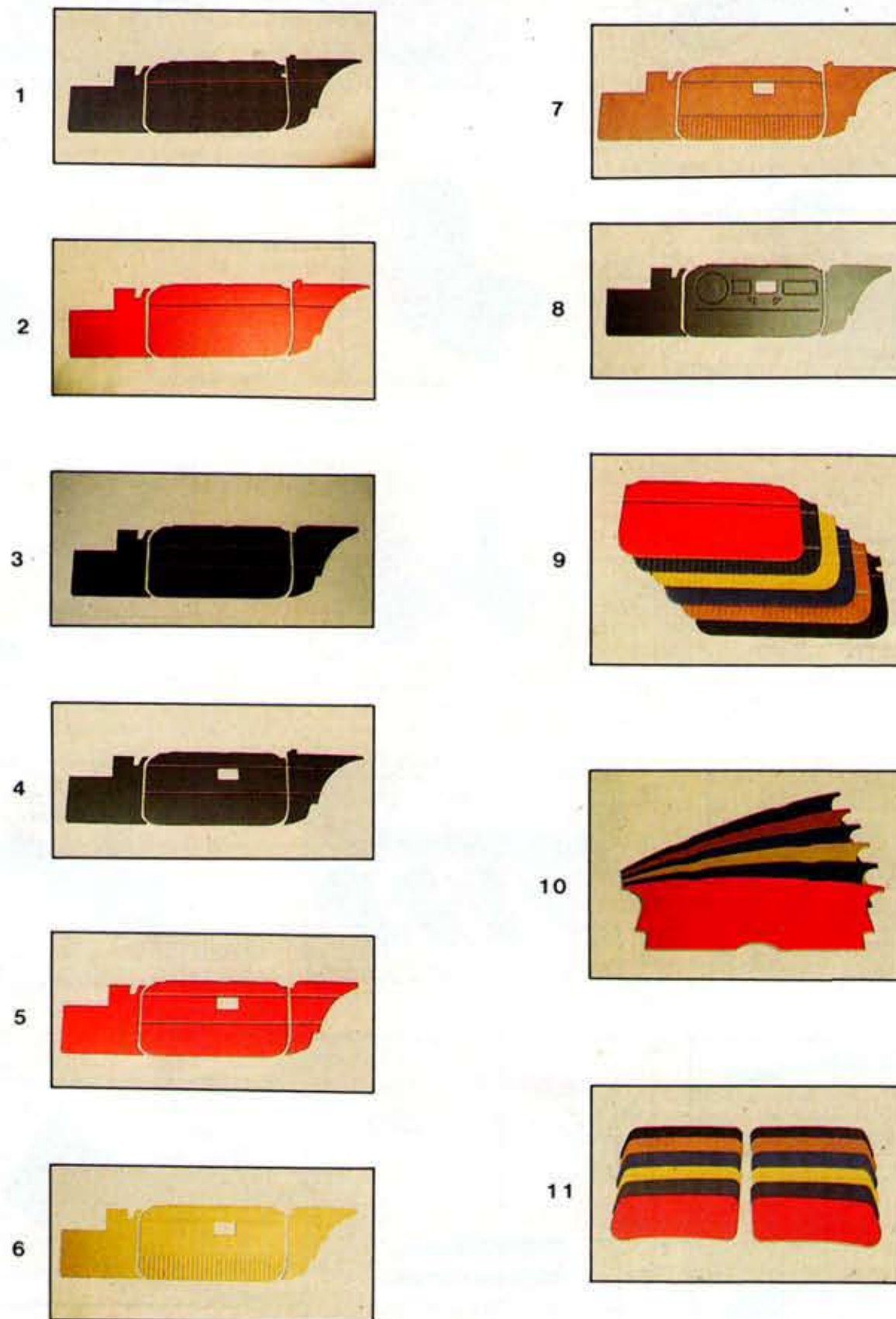
### TRIM PANELS & KITS

Ill No.	Part No.	Description	Year and Model
1	TK110	Trim Panel Kit	1962-64 Early MGB Roadster w/"Pull Handle" Doors
2	TK111	Trim Panel Kit	1964-67 GHN3 Roadster w/"Push Button" Doors
3	TK112	Trim Panel Kit	1965-67 GHD3 "GT" Models
Available in the following color combinations:			
AB	Black/Blue pipe	BB Blue/Blue pipe	AM Black/Red pipe
MA	Red/Black pipe	AW Black/White pipe	MW Red/White pipe
4	TK113	Trim Panel Kit	1967-69 GHN4 Roadster
5	TK114	Trim Panel Kit	1967-69 GHD4 GT Models
AA	Black/Black pipe	AB Black/Blue pipe	AM Black/Red pipe
BB	Blue/Blue pipe	MA Red/Black pipe	MW Red/White pipe
The above type of door liners are of stitched/sewn construction before being glued to the backing			
Not shown	TK115	Trim Panel Kit	1970-71 GHN5 Roadster w/ no Chrome Strip
6	TK116	Trim Panel Kit	1970-71 GHD5 GT Models w/ no Chrome Strip
7	TK117	Trim Panel Kit	1972-Sept '76 GHN5 Roadster w/Chrome Strip
Not shown	TK118	Trim Panel Kit	1972-Sept '76 GHD5 GT Models w/Chrome Strip
A Black K Autumn Leaf N Navy T Ochre e.g. TK115A, TK118N ect. From 1970 on, the door liners were of welded construction and are held on to the door with plastic trim clips, screws still being required for the other panels.			
8	MGBTK119	Trim Panel Kit	Sept '76-80 Roadster
A Black K Autumn Leaf X Beige e.g. TK119A, TK120X ect.			
9	DP121	Door Liners (Pair)	1962-64 Early MGB Roadster w/"Pull Handle" Doors
	DP122	Door Liners (Pair)	1964-67 GHN3 Roadster w/"Push Button" Doors
	DP123	Door Liners (Pair)	1965-67 GHD3 "GT" Models
Available in the following colors:			
AB	Black/Blue pipe	AM Black/Red pipe	AW Black/White pipe
MA	Red/Black pipe	MW Red/White pipe	BB Blue/Blue pipe
9	DP124	Door Liners (Pair)	1967-70 GHN4 & GHD4 Roadster and GT Models
AA Black/Black pipe AB Black/Blue pipe AM Black/Red pipe AW Black/White pipe BB Blue/Blue pipe MA Red/Black pipe MW Red/White pipe			
9	DP125	Door Liners (Pair)	1970-71 GHN5 & GHD5 Roadster and GT w/ no Chrome Strip
	DP126	Door Liners (Pair)	1972-Sept '76 GHN5 & GHD5 Roadster and GT w/Chrome Strip
A Black K Autumn Leaf N Navy T Ochre e.g. DP125A, DP126K			
9	DP127	Door Liners (Pair)	Sept '76-80 GHN5 Roadster
A Black K Autumn Leaf X Beige e.g. DP127A			
10	CP136	Rear Cockpit Liner	1962-69 Roadster Only--Available in:
A Black B Blue M Red			
10	CP137	Rear Cockpit Liner	1970-80 Available in:
A Black K Autumn N Navy T Ochre X Beige			
11	TP138	Rear Tailgate Liners	1965-69 GHD3/4 "GT" Models only--Available in:
A Black B Blue M Red TP138B			
11	TP139	Rear Tailgate Liners	1970-76 GHD5 "GT" Models only--Available in:
A Black K Autumn Leaf N Navy T Ochre X Beige e.g. TP139X			

All the above trim panels are standard colors. (Pairs) = sold in pairs only. Singles are NOT available

# INTERIOR

## MGB

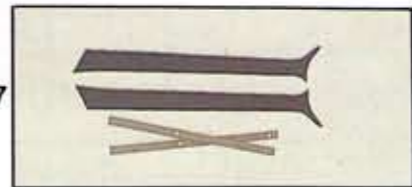
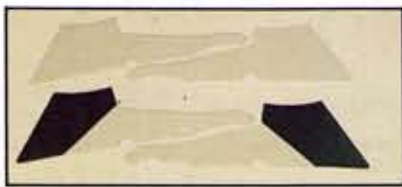
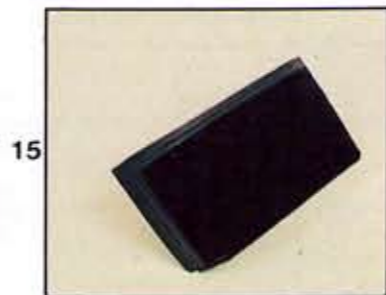
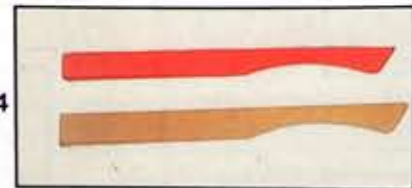




MGB

SEAT COVER-HEADRESTS & ASSORTED TRIM

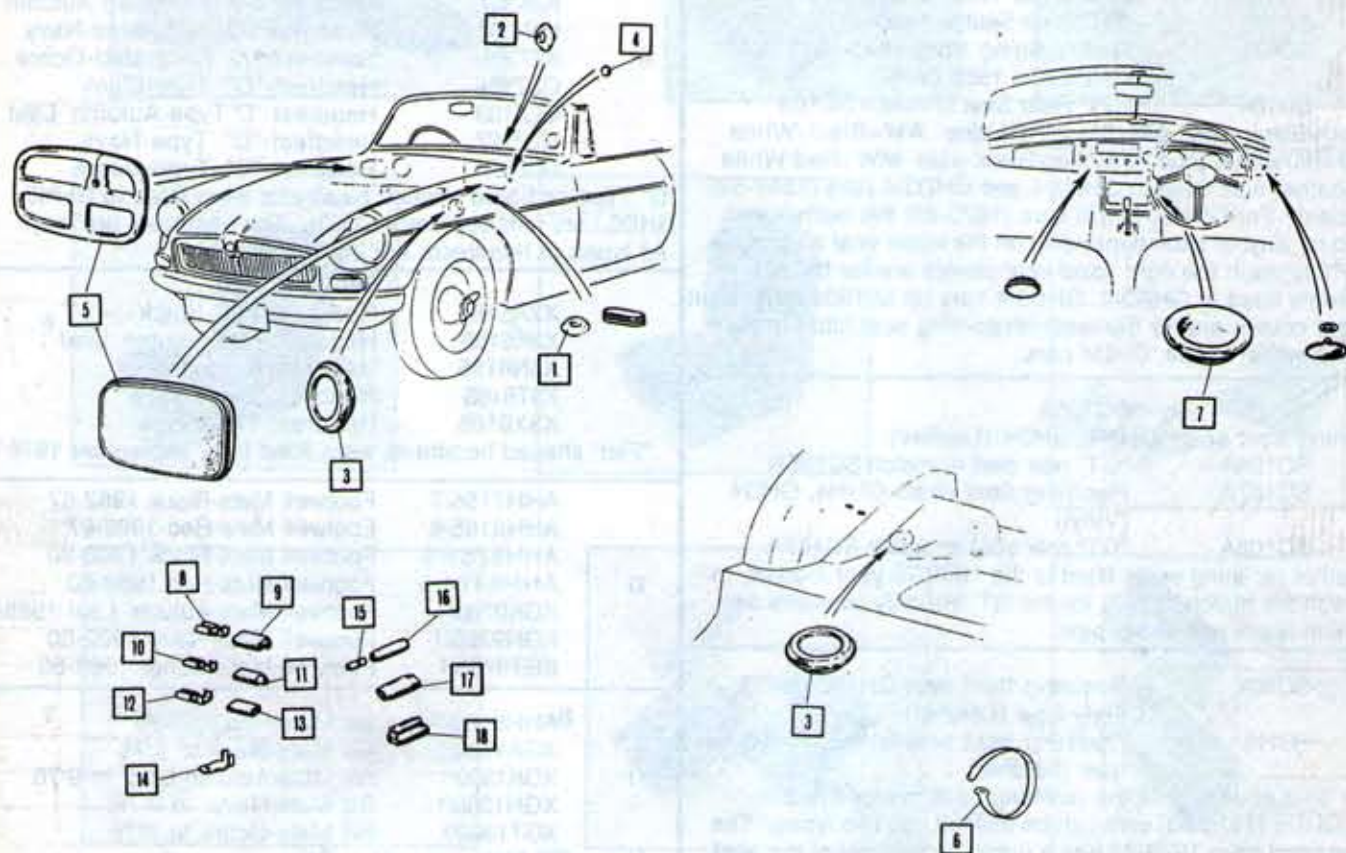
Ill No.	Part No.	Description	Ill No.	Part No.	Description
<p><b>GHN5, GHD5, cars to Sept. 1976</b></p>					
1	SC101	Non-reclining front seats GHN3/4, GHD3/4 to 1968 (Leather)	8	K2A301	Headrest-1/2 perforated-Black
	SC102	"GT" Rear Seat to match SC101		K2K301	Headrest-1/2 perforated-Autumn leaf
	SC103	Non-reclining front seats GHN3/4, GHD3/4 to 1968 (Vinyl)		K2N301	Headrest-1/2 perforated-Navy
	SC104	"GT" Rear Seat to match SC103		K2T301	Headrest-1/2 perforated-Ochre
<p><b>AB=Black/Black pipe AM=Black/Red pipe AW=Black/White pipe BB=Blue/Blue pipe MA=Red/Black pipe MW=Red/White pipe.</b> Leather was fitted to GHN3/4 and GHD3/4 cars (1962-69) as standard. For GHN5, GHD5 cars (1970-80) the leather was replaced by vinyl or cloth depending on the exact year and model. In the Photograph the right hand seat covers are for the non-reclining seats fitted to GHN3/4, GHD3/4 cars up to 1969. The right hand seat covers are for the leather reclining seat fitted to the 1969 year model GHN4, GHD4 cars.</p>					
<p><b>Sept. 1976-80</b></p>					
1	SC105A	Reclining front seats GHN4, GHD4 (Leather)	9	X3A6185	Headrest-Flat-Black
	SC106A	"GT" rear seat to match SC105A		X3K6185	Headrest-Flat-Autumn Leaf
	SC107A	Reclining front seats GHN4, GHD4 (Vinyl)		X3N6185	Headrest-Flat-Navy
	SC108A	"GT" rear seat to match SC107A		X3T6185	Headrest-Flat-Ochre
<p>The Leather reclining seats fitted to the 1969-70 year models, together with the matching rear for the GT, are only available as standard in Black with Black pipe.</p>					
1	SC109	Reclining front seat-GHN5, GHD5 early type (Leather)	10	X3X6185	Headrest-Flat-Beige
	SC110	Reclining front seat-GHN5, GHD5 late type (Leather)		"Flat" shaped headrests were fitted from September 1976 on.	
<p>Leather seat covers to fit the reclining seat covers fitted to GHN5, GHD5 (1970-80) cars can be divided into two types. The first type fitted from 1970-72 has a hump at the front of the seat base, as shown in photographs 2 and 3. From 1973 on (including the very latest striped seats) the hump at the front was flattened out and raised sides added to the seat base. This can be clearly seen in photographs 4 and 5. The above seats are available in the following colors: <b>A=Black AM=Black/Red pipe K=Autumn Leaf M=Red MW=Red/White pipe N=Navy.</b></p>					
2	SC111	1971-75 Half perforated vinyl seat covers fitted to GHN5 Roadsters.	11	AHH7156/7	Footwell Mats-Black 1962-67
	SC112	1970-71 Half perforated rear seats "GT"		AHH8165/6	Footwell Mats-Red 1962-67
3	SC113	1972 Half cloth front seats "GT" GHD5	10	AHH9762/3	Footwell Mats-Black 1968-80
	SC114	1972 Half cloth rear seats "GT" GHD5		AHH8474/5	Footwell Mats-Red 1968-80
4	SC115	9/76-80 Roadster Full perforated front seats	10	KGK9760/1	Footwell Mats-Autumn Leaf 1968-80
	SC117	1973-75 "GT" Full cloth front seats		KGN9760/1	Footwell Mats-Navy 1962-80
7	SC118	1973-75 "GT" Full cloth rear seats	10	KGK9760/1	Footwell Mats-Autumn Leaf 1968-80
	SC118	1973-75 "GT" Full cloth rear seats		KGN9760/1	Footwell Mats-Navy 1962-80
<p><b>NOTE:</b> Front seat covers are sold in kits for both seats. Rear seat covers are sold to re-cover both back and base.</p>					
6	AHA7878	Seat Diaphragm	11	KGT9760/1	Footwell Mats-Ochre 1962-80
	BHH580	Seat Webbing		AHH8169/70	Sill Mats-Red tp 9/76
6	SF071	Seat foam back 1962-68	11	XGA1300/1	Sill Mats-Black to 9/76
	SF072	Seat foam base-LH 1962-68		XGK1300/1	Sill Mats-Autumn Leaf to 9/76
6	SF073	Seat foam base-RH 1962-68	11	XGN1300/1	Sill Mats-Navy to 9/76
	SF164	Seat foam back 1969-70		XGT1300/1	Sill Mats-Ochre to 9/76
6	SF165	Seat foam back 1970-80	12	Above Sill Mats are sold in Pairs.	
	SF196	Seat foam base-LH 1969-72		X2A2915	Center Console Armrest-Vinyl
6	SF197	Seat foam base-RH 1969-72	12	X2A2915L	Center Console Armrest-Leather
	SF198	Seat foam base-LH 1973-80		BHH2072	Gearlever Gaiter 1968-80
6	SF199	Seat foam base-RH 1973-80	12	BHH2072L	Gearlever Gaiter-Leather 1968-80
	SF199	Seat foam base-RH 1973-80		DC141AA	Door Cap.-Black/Black pipe 1962-64
6	SF199	Seat foam base-RH 1973-80	13	DC141AM	Door Cap.-Black/Red pipe 1962-64
	SF199	Seat foam base-RH 1973-80		DC142*	Door Cap. 1964-69 w/Push button handle.
6	SF199	Seat foam base-RH 1973-80	13	DC143*	Door Cap. 1965-69 w/Push button hdl.
	SF199	Seat foam base-RH 1973-80		DC144**	Door Cap. Roadster 1970-80
6	SF199	Seat foam base-RH 1973-80	13	DC145**	Door Cap. "GT" 1970-75
	SF199	Seat foam base-RH 1973-80		**A=Black K=Autumn Leaf N=Navy T=Ochre X=Beige	
6	SF199	Seat foam base-RH 1973-80	14	CR149	Rear Capping-GHD3/4-1965-69 "GT"
	SF199	Seat foam base-RH 1973-80		CR150	Rear Capping-GHD5-1970-75 "GT"
6	SF199	Seat foam base-RH 1973-80	15	Colors: A=Black B=Blue M=Red e.g. CR149A	
	SF199	Seat foam base-RH 1973-80		Colors: A=Black K=Aut. Leaf N=Navy T=Ochre X=Beige	
6	SF199	Seat foam base-RH 1973-80	15	AHH8117	Chrome Finisher-Map Pocket-"GT"
	SF199	Seat foam base-RH 1973-80		XGA2917	Map Pocket-Black-"GT"
6	SF199	Seat foam base-RH 1973-80	15	XGB2917	Map Pocket-Blue-"GT"
	SF199	Seat foam base-RH 1973-80		XGK2917	Map Pocket-Aut. Leaf-"GT"
6	SF199	Seat foam base-RH 1973-80	15	XGM2917	Map Pocket-Red-"GT"
	SF199	Seat foam base-RH 1973-80		XGN2917	Map Pocket-Navy-"GT"
6	SF199	Seat foam base-RH 1973-80	15	XGT2917	Map Pocket-Ochre-"GT"
	SF199	Seat foam base-RH 1973-80		XGX2917	Map Pocket-Beige-"GT"
6	SF199	Seat foam base-RH 1973-80	16	MGBCP045	"C" Post liner for "GT"
	SF199	Seat foam base-RH 1973-80		17	X2A2970/1





# BODY

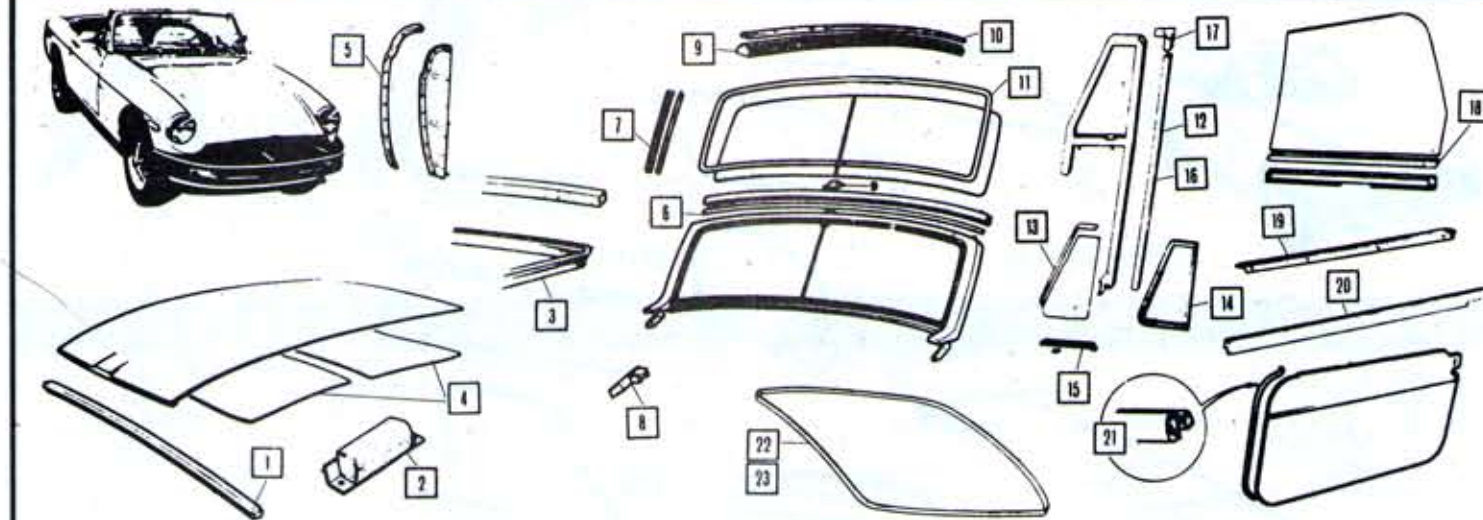
## MGB GROMMETS ECT.



Ill No.	Part No.	Description	Year	Remarks	Qty.
1	CFP375	Blanking Plug-Plastic	RHD Accelerator Hole ect. 3/8" Hole		A/R
2	CFP625		Speedometer and Tach Cable Hole ect. 5/8" Hole		
	CFP750		Paint Drain Holes 3/4" Hole		
	CFP1000		Vent Window Holes in Door, ect. 1" Hole		
	BHA4536		Steering Column Hole, Rear Shock Holes ect. 11/2"		
3	BHA4536	Blanking Plug-Rubber	Master Cylinder Holes in Bulkhead 1/4"		A/R
4	GHF821		5/8" Holes		
	RFR210		Heater Arperture when heater not fitted 15/8"		
	4G9763				
5	14B630	Blanking Plug	1962-741/2Master Cylinder Inspection		2
6	2K6640	Clip-Pipe and Wiring			A/R
7	AHH6507	Plug-Blanking	Gearbox Dipstick		1
8	47H5419	Spade Terminal-Female	35 amp		A/R
9	88-515399	Insulator	35 amp		A/R
10	47H5496	Spade Terminal-Female	17.5 amp		A/R
11	88-511269	Insulator	17.5 amp		A/R
12	RTC220A	Spade Terminal-Female	17.5 amp-Double Wire		A/R
13	5L287	Insulator	17.5 amp-Double Wire		A/R
14	GHF2053	Spade Terminal-Male	17.5 amp		A/R
15	88-3632	Nipple-Bullet Connector			A/R
16	88-104618A	Bullet Connector	Single		A/R
17	RTC603	Bullet Connector	Double		A/R
18	BHA4460	Bullet Connector	Triple		A/R

# QUICK REFERENCE

## MGB RUBBER SEALS-ROADSTER



Ill No.	Part No.	Description	Qty.
1	AHH7205	Seal Radiator Diaphragm	1
2	AHH6523	Bonnet Rubber Buffer	A/R
3	BHH209	Bonnet Seal	1963-80 1
4	BHH925	Front	Pad Insulating Hood-Only sold in pairs 1
	BHH926	Rear	
5	BHH626M	Seal, Baffle-Front Fender	Sold per Meter 2
6	AHH7136	Windshield to Body Seal	1
7	27H4300M	Windshield Pillar Post Seal	2
8	AHH7068	RH	Post Pad 1
	AHH7069	LH	
9	BHH2273	Header Rail Seal	1
10	AHH6440	Retainer	1
11	HZA5414	Windshield Seal	1
12	AHH7448	Forward Channel Seal-Rubber	2
13	AHA7486	Vent Window Glazing Seal	2
14	17H2505	RH	Vent Window Seal 1
	17H2506	LH	
15	AHH7478	RH	Vent Frame to Car 1
	AHH7479	LH	
16	17H2504	Felt forward Channel Seal	Sealing Door Glass 2
17	AHA9986	Block-Corner Rubber on Vent	2
18	37H4297M*	Rubber Glazing, Window	1
19	AHH6348	RH	Window Scrapper Rubber 1
	AHH6349	LH	
20	AHH6508	RH	Window Scrapper Felt 1
	AHH6509	LH	
21	XGA7927**	Door Fuzzy Rubber	Black 2
22	AHH6535***	Trunk Seal-Fitted on Trunk Lid	to c#401000 1
23	HZA5386	Trunk Seal-Fitted on Body	c#401001 on

\* Sold in Meters.

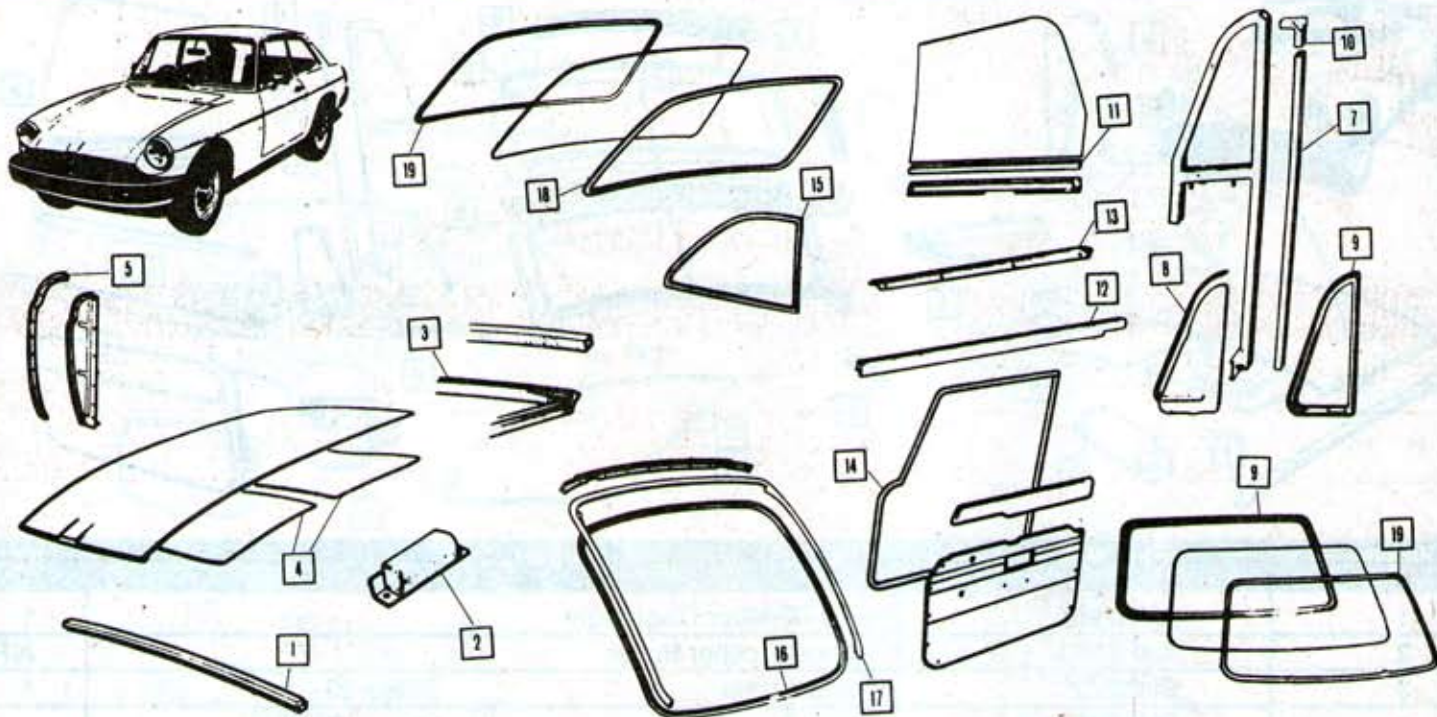
\*\* For Colors See Page 122 For More Details.

\*\*\* HAZ5386 Can Be Substituted on Earlier Cars. Old Seal on Trunk Must Be Removed.



# QUICK REFERENCE

## MGB-GT RUBBER SEALS-GT



Ill No.	Part No.	Description			Qty.	
1	AHH7205	Seal, Radiator Diaphragm			1	
2	AHH6523	Bonnet Rubber Buffer			A/R	
3	BHH209	Bonnet Seal			1	
4	BHH925	Front	Pad, Insulating Hood	Sold in Pairs	1	
	BHH926	Rear				
5	BHH626	Seal, Baffle Front Fender			2	
6	AHH7404	Windshield Seal			1	
7	AHH7448	Forward Channel Seal-Rubber			2	
8	AHA7486	Vent Glazing Strip			2	
9	AHH7435	RH	Vent Window Seal	Clip GHF1560	1	
	AHH7436	LH				
10	AHA9986	Block, Corner Rubber on Vent			2	
11	37H4297M	Rubber Glazing-Window		Sold per Meter	2	
12	AHH6348	RH	Window Scrapper-Rubber		1	
	AHH6349	LH				
13	AHH6508	RH	Window Scrapper-Felt		1	
	AHH6509	LH				
14	XGA6652*	Door Seal		Black	2	
15	47H9516	1/4 Light Seal		to c#286061 1962- Late '72	A/R	
	BHH582			c#286062 on-Late '72-80		
16	AHH7833	Inner	Tailgate (Rear Hatch) Seal		1	
17	AHH9778	Outer				
18	AHH7403	Rear Window Seal			1	
19	AHH7815M	Filler, Windshield Glazing Rubber			Sold per Meter	1

\*For Colors See Page 124 For More Details.