

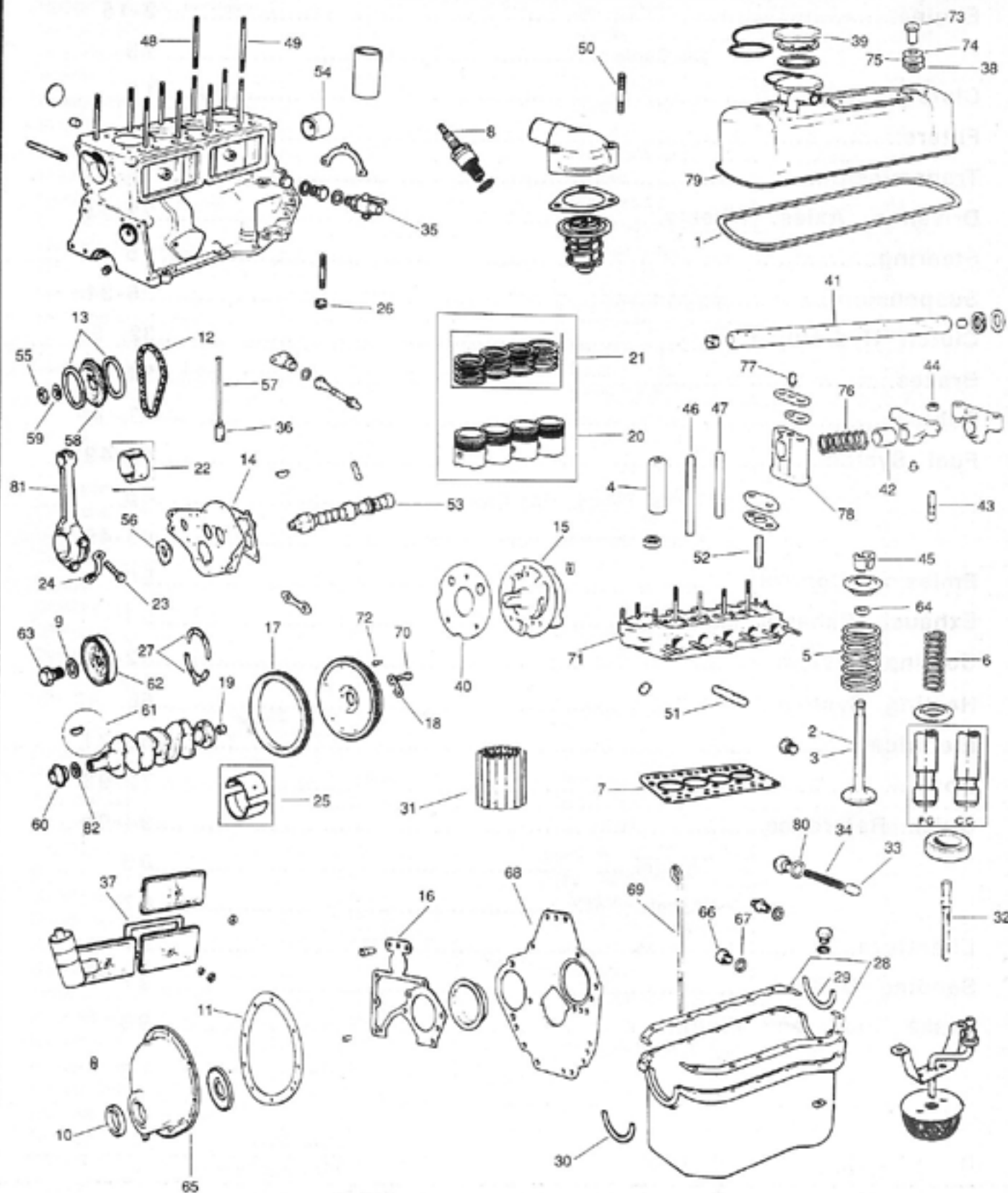
TABLE OF CONTENTS

Engine.....	2-15
Oil Coolers.....	15
Clutch.....	16
Filters.....	17
Transmission.....	18-21
Driveline, Axles, Wheels.....	22-24
Steering.....	25
Suspension.....	26-31
Clutch Hydraulics.....	32, 33
Brakes.....	34-42
Cables.....	43, 44
Fuel System.....	45-49
Tanks, Pumps, Gas Caps.....	45
Intake Manifolds, Carburetors.....	46-49
Emission Control.....	50
Exhaust, Exhaust Manifolds.....	51
Cooling System.....	52-55
Heating System.....	56, 57
Electrical.....	58-71
Body.....	72-93
Quick Reference.....	94-96
Interior.....	83
Accessories.....	87
Literature.....	97
Sending Units.....	97
INDEX.....	98, 99

ENGINE

MIDGET

1098cc ENGINE & HEAD MK III SPRITE & MK II MIDGET



ENGINE

MIDGET

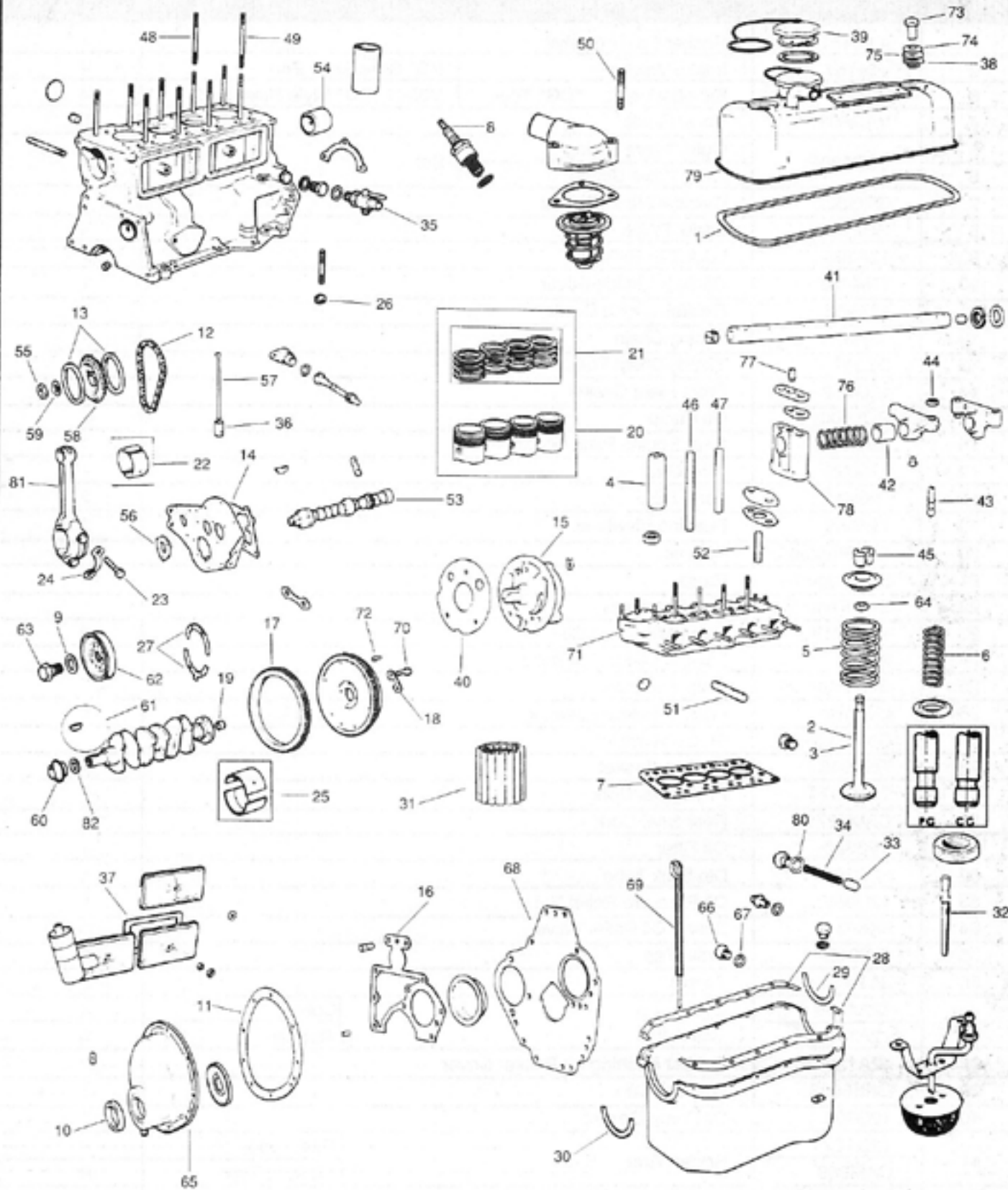
1098 cc ENGINE & HEAD MK III SPRITE & MK II MIDGET

Ill No.	Part No.	Description	Qty Req'd
1	AJM401	Rocker Cover Gasket	1
2	V34167	Intake Valve	*PG* Style Stem End 4
3	V3459	Exhaust Valve	*CG* Type V3569 *PG* Style Stem End 4
4	VAG693	Valve Guide	8
5	VSP580P	Outer Valve Spring	Set 1
6		Inner Valve Spring	
7	GEG302	Cylinder Head Gasket	1
8	GSP163	Spark Plugs	4
9	12A398	Lock Tab-Pulley	1
10	TNA473	Oil Seal-Timing Cover	1
11	12A956	Gasket-Timing Cover	1
12	3SR52	Timing Chain	1
13	8G549	Timing Chain Tensioner	1
14	12G619	Front Plate Gasket	1
15	POL600	Oil Pump	1
16	AEG554	Rear Engine Plate Gasket	1
17	12G290	Ring Gear	1
18	12G612	Lock Tab	2
19	1A1559	Bushing-Flywheel	1
20	See Page 94	Pistons	
21	See Page 94	Rings	
22	See Page 94	Rod Bearings	
23	12G2217	Connecting Rod Bolts	8
24	2A660	Lock Tabs-for Rod Bolts	4
25	See Page 94	Main Bearings	
26	LNZ607	Lock Nuts-Main Bearing	6
27	See Page 94	Thrust Washers	
28	THC048	Oil Pan Gasket	1
29	TAM1171	Front Seal-Cork	1
30	CAM6271	Rear Seal-Cork	1
31	FP3320	Oil Filter	1
32	12G107	Dip Stick Tube	1
33	12H865	Oil Pressure Relief Valve	1
34	6K853	Spring-Oil Relief Valve	1
35	602915	Drain Tap	1
36	2A13	Tappet	8
37	12A1139	Side Cover Gasket	Cork 2
	12A1175	Gasket	Rubber 2
38	12A1358	Rubber Bushing for Rocker Cover	2
39	GFE6003	Oil Filler Cap	1
40	12G730	Oil Pump Gasket	1
41	12G1221	Rocker Arm	Cast Type 8
	CAM289		Pressed Type 8
42	2A21	Rocker Arm Bushing to be used with 12G1221	8

ENGINE

MIDGET

1098cc ENGINE & HEAD MK III SPRITE & MK II MIDGET



ENGINE

MIDGET

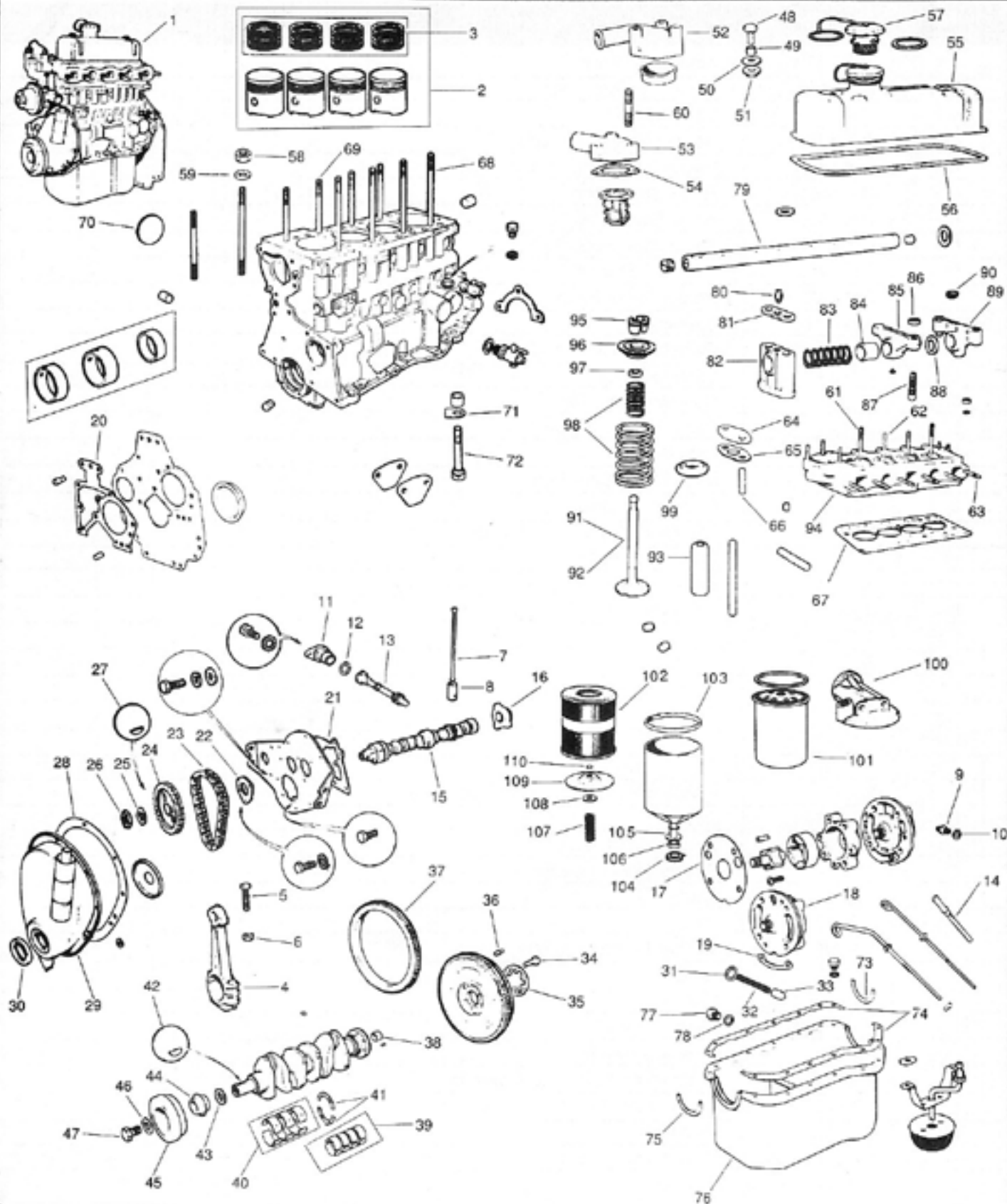
1098 cc ENGINE & HEAD MK III SPRITE & MK II MIDGET

Ill No.	Part No.	Description	Qty Req'd
43	12H3376	Adjusting Screw	8
44	51K1178	Adjusting Screw Nut	8
45	2A11	Valve Keepers	16
46	51K885	Rocker Shaft Stud-Long	2
47	51K1473	RockerShaft Stud-Short	2
48	CAM151	Head Stud-Short	5
49	CAM150	Head Stud-Long	4
50	CHS2515	Thermostat Housing Studs	3
51	53K487	Manifold Studs	6
52	53K402	Heater Valve Studs	2
53	AEA148	Camshaft	1
54	See Page 94	Camshaft Bearings	1
55	6K629	Camshaft Nut	1
56	2A84	Camshaft Lock Plate	1
57	2A14	Push Rod	8
58	12G4337	Cam Gear	1
59	2A5759	Lock Tab to Cam Gear	1
60	8G725	Crankshaft Gear	1
61	6K836	Woodruff Key to Crankshaft	1
62	CAM6323	Crankshaft Pulley	1
63	AEA312	Nut-Securing Pulley to Crankshaft	1
64	2A879	Valve Stem Seals	8
65	12G2506	Timing Cover	1
66	88G257	Drain Plug to Oil Pan	1
67	6K638	Washer to Drain Plug	1
68	12G453	Rear Plate	1
69	12G175	Dipstick	1
70	51K1029	Bolt-Flywheel	4
71	28G222	Cylinder Head with Guides (no Valves)	1
72	1G2984	Dowel	1
73	2A150	Rocker Cover Bolt	2
74	1B2925	Spacer-Rocker Cover	2
75	1A2156	Washer	2
76	6K556	Spring	3
77	2A258	Rocker Locating Screw	1
78	12G1927	Rocker Bracket	Tapped 1
	12G1926	Rocker Bracket	Plain 3
79	12A1530	Rocker Cover	1
80	6K431	Copper Washer	1
81	12G126	Connecting Rod (1 & 3 cylinders)	2
	12G123	Connecting Rod (2 & 4 cylinders)	2
82	6K628	Washer	1
--	See Page 94	Head Gasket Set	
--	See Page 94	Coverion Set	

ENGINE

MIDGET

1275cc ENGINE & HEAD MK IV SPRITE & MK III MIDGET



ENGINE

MIDGET

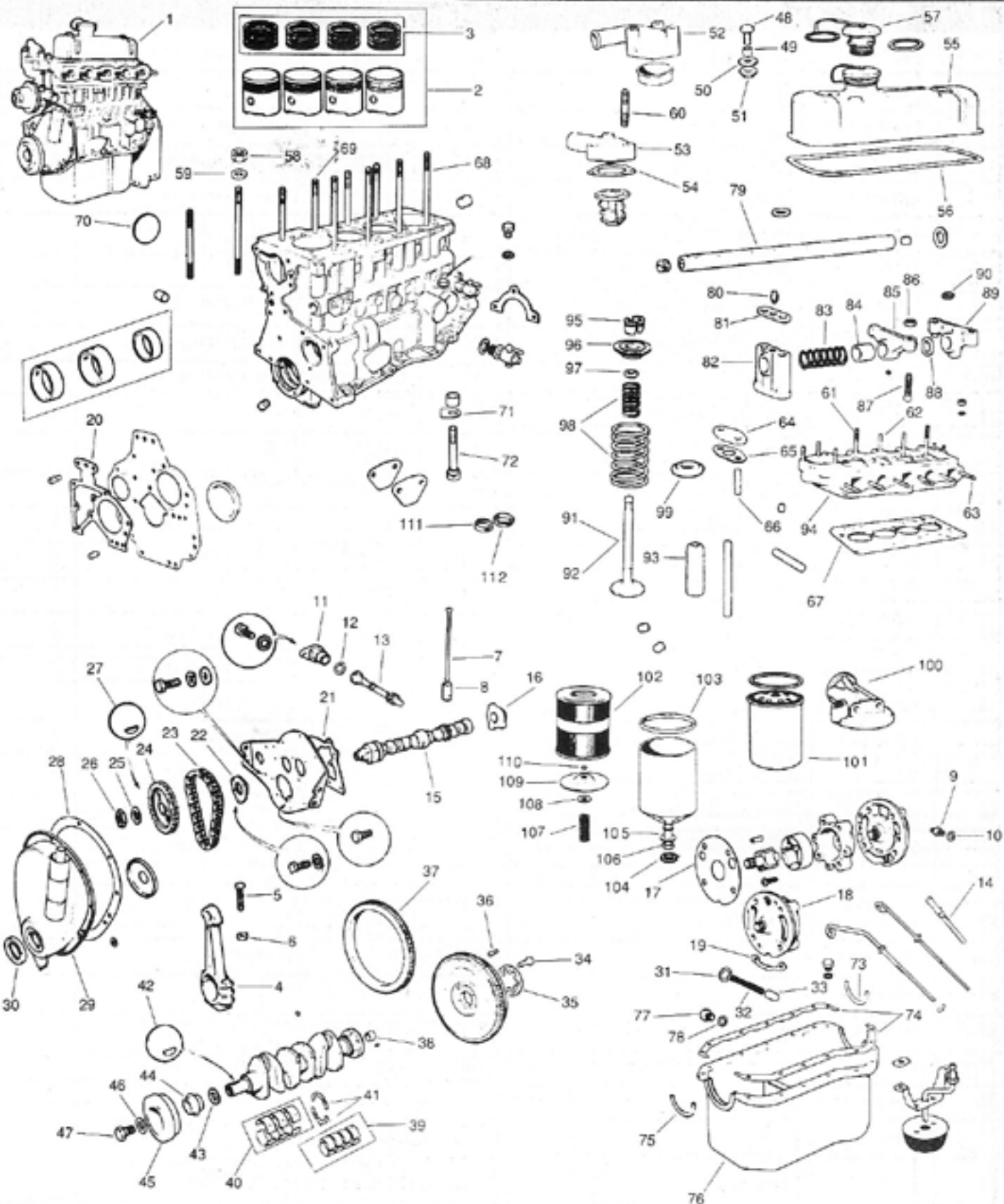
1275 cc ENGINE & HEAD MK IV SPRITE & MK III MIDGET

Ill No.	Part No.	Description	Qty.	Ill No.	Part No.	Description	Qty.
1	RKM1126	Engine E=NEW R=REBUILT	1	33	12H865	Oil Release Valve	1
2	See Page 94	Pistons		34	51K1029	Bolt	6
3	See Page 94	Ring Set		35	12G982	Lock Tab	1
4	AEG624	Rod-Connecting	4	36	1G2984	Dowel-Flywheel	2
5	AEG519	Rod Bolt	8	37	S104/10R	Ring Gear	1
6	AEG147	Rod Nut	8	38	1A1559	.625 O.D. Pilot Bushing	1
7	AEG314	Push Rod	8		AHU1026A	.75	
8	2A13	Tappet (Cam Follower)	8	39	See Page 94	Rod Bearing Set	
9	CAM6431	Union-Oil Pressure	1	40	See Page 94	Main Bearing Set	
10	6K464	Washer	1	41	See Page 94	Thrust Washer	
11	12A1136	Distributor Housing	1	42	6K836	Key	1
12	13H2792	"O" Ring	1	43	6K628	Shim	1
13	12G4499	Dist. Drive Spindle	1	44	12G1699	Crank Gear	1
14	12G107	Tube-Dip Stick	1	45	88G305	Pulley	1
15	AEG523**	Camshaft	1	46	12A398	Lock Washer	1
16	CHM108	Drive Flange	1	47	AEA312	Bolt	1
17	12G730	Oil Pump Gasket	1	48	2A150	Rocker Cover Bolt	2
18	POL621	Oil Pump	1	49	1B2925	Distance Piece	2
19	12G926	Lock Tab	1	50	1A2156	Cup Washer	2
20	AEG554	Gasket-Rear of Engine	1	51	12A1358	Rubber Bushing	2
21	12G619	Gasket-Front of Engine	1	52	12G1902	Thermo Housg. Use w/Crossflow radiator	1
22	2A84	Cam Locating Plate	1				
23	3DR52	Timing Chain	1	53	AEA306	Thermo Housg. Early 1275	1
24	12G1397	Cam Gear	1	54	GTG101	Gasket	1
25	2A759	Lock Washer	1	55	12G2305	Rocker Cover	1
26	6K629	Nut	1	56	AJM401	Gasket	1
27	WKN505	Key	1	57	GFE6003	Oil Cap Filler	1
28	12A956	Gasket	1	58	51K1193	Cylinder Head Nut	9
29	12G2507	Cover (W/Oil Separator)	1	59	12H2178	Washer-Head	9
30	TNA473	Oil Seal	1	60	CHS2518	Stud Cross Flow Rad	3
31	6K431	Washer	1				
32	6K853	Spring-Oil Relief Valve	1				

ENGINE

MIDGET

1275cc ENGINE & HEAD MK IV SPRITE & MK III MIDGET



ENGINE

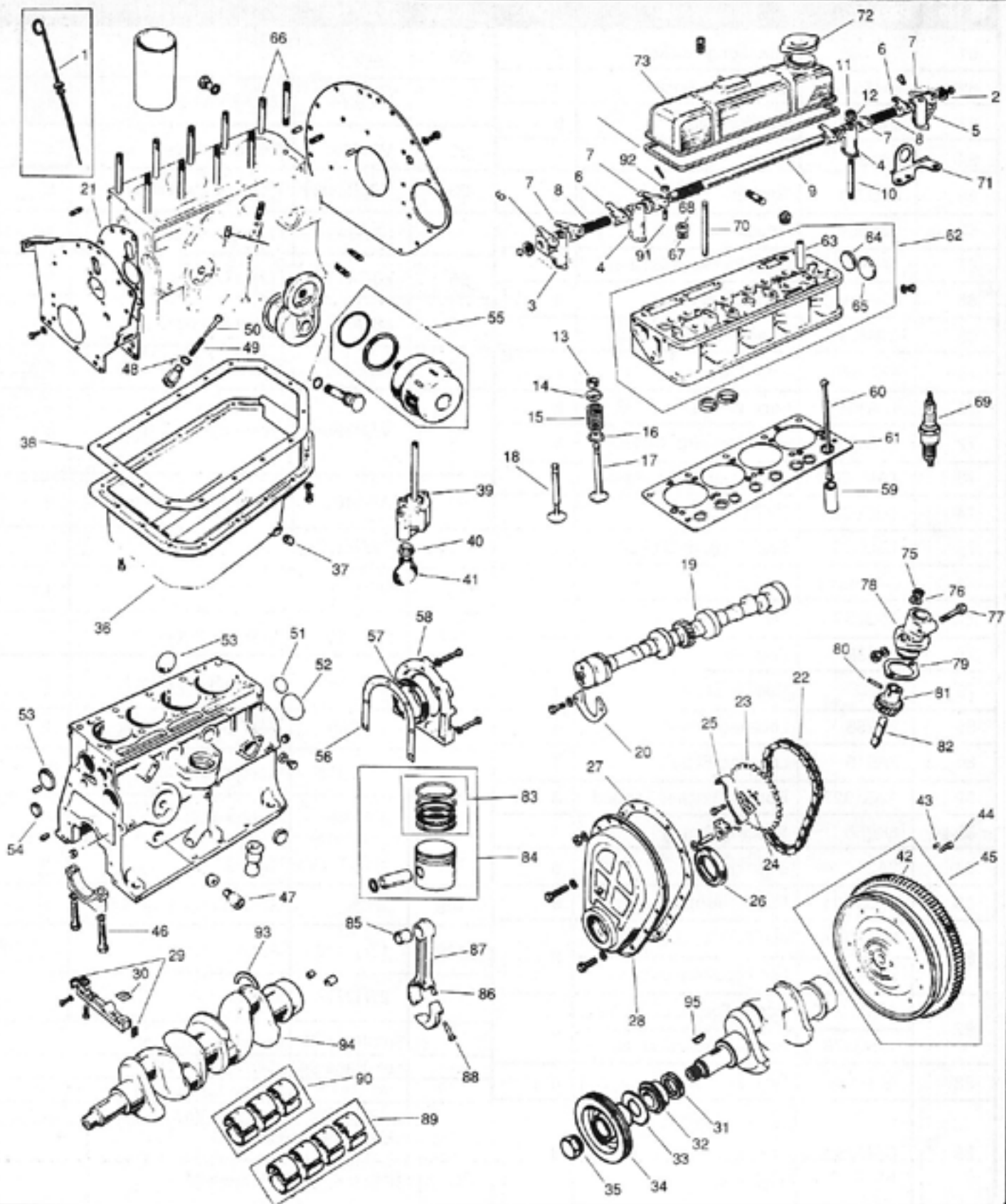
MIDGET

1275 cc ENGINE & HEAD MK IV SPRITE & MK III MIDGET

Ill No.	Part No.	Description	Qty.	Ill No.	Part No.	Description	Qty.
61	51K885	Stud Long-Rocker	2	90	12H2178	Washer	3
62	CHS522	Stud Short-Rocker	2	91	V34274	Intake Valve	4
63	53K487	Manifold Stud	6	92	V34275	Exhaust Valve	4
64	2A180	Plate	1	93	VAG50969	Intake & Ex. Valve Guide	8
65	88G221	Gasket	1	94	38G399	Cylinder Head*	1
66	53K402	Heater Tap Stud	2	95	88G459	Valve Cotter	8 Pr.
67	TAF470	Cylinder Head Gasket	1	96	88G617	Valve Spring Cap	8
68	CAM150	Head Stud-Long	4	97	AEG327	Valve Seal	8
69	CAM151	Head Stud-Short	5	98	VSP3964P	Valve Spring Set	8
70	AEC876	Core Plug	5	99	AEA403	Valve Spring-Bottom Cap	8
71	12A1381	Lock Washer	6	100	12A2032	Filter Head	1
72	12G1398	Bolt-Main Brg. Cap	6	101	WA712	Oil Filter	1
73	TAM1089	Seal Rear of Oil Pan	1	102	FP3320	Oil Filter-Paper	1
74	THC063	Oil Pan Gasket	1	103	12A1591	Seal-Bowl to Head	1
75	TAM1171	Seal Front of Oil Pan	1	104	508380	Seal for Center Bolt	1
76	CAM4313	Oil Pan	1	105	17H1172	Center Bolt Collar	1
77	88G257	Oil Pan Plug	1	106	37H689	Center Bolt	1
78	6K638	Washer	1	107	500319	Spring	1
79	LRS2	Rocker Shaft	1	108	7H28	Seal to Pressure Plate	1
80	2A258	Locating Screw	1	109	17H1148	Plate	1
81	2A515	Locating Plate	1	110	27H2578	Circlip	1
82	12G1927	Rocker Bracket-Tapped	3	---	See Page 94	Head Gasket Set	
83	6K556	Spacing Spring	3	---	See Page 94	Conversion Set	
84	2A21	Bushing	8	111	AEG477	Intake Valve Seat	4
85	12G1221	Rocker Arm Cast Type	8	112	12G2675	Exhaust Valve Seat	4
86	NT605061	Nut-For Cast Type R/Arm	8	*With guides less valves.			
	51K1178	Nut-For Sintered R/Arm		**Part # CAM6431 is a new camshaft. Part # AEG523E is a reground Camshaft.			
87	AEG167	Screw-For Cast Type Arm	8				
	12H3376	Screw-For Sintered Arm					
88	AEG168	Spacer	6				
89	CAM289	Sintered Rocker Arm- used in Place of Pressed Type Arm	8				

ENGINE

**MIDGET
1500 cc ENGINE & HEAD**



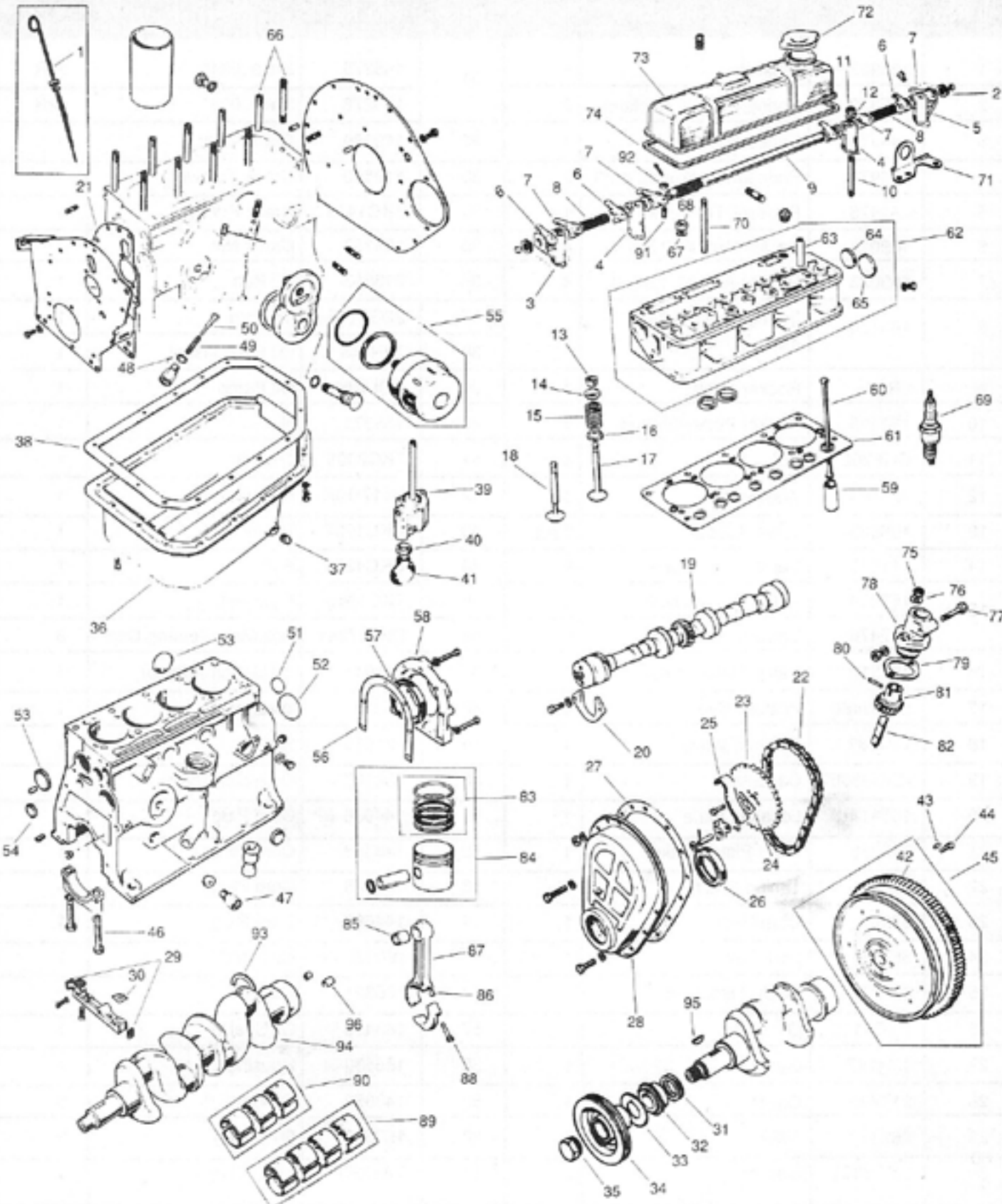
ENGINE

**MIDGET
1500 cc ENGINE & HEAD**

Ill No.	Part No.	Description	Qty.	Ill No.	Part No.	Description	Qty.
1	134933	Dipstick	1	31	145275	Shim .004"	A/R
2	105322	Spring #1 & #8 Rockers	2		145276	Shim .006"	A/R
3	144973	Pedestal Rocker #1	1	32	119389	Crank Gear	1
4	144974	Pedestal Rocker #2 & #3	2	33	119390	Crank Thrower	1
5	144975	Pedestal Rocker #4	1	34	TKC1425	Crank Pulley	1
6	109024	Rocker Arm #1,3,5 & 7	4	35	155357	Crank Nut	1
7	109023	Rocker Arm #2,4,6 & 8	4	36	213863	Oil Pan	1
8	105120	Spring Spacing 2&3, 4&5, 6&7 Rockers	3	37	22G2115	Oil Plug	1
				38	TJH445	Oil Pan Gasket	1
9	LRS4	Rocker Shaft	1	39	POL739	Oil Pump	1
10	132495	Rocker Pedestal Stud	4	40	155371	Nut	1
11	GHF202	Nut	4	41	TKC2006	Strainer	1
12	WP184	Washer	4	42	B117/10R	Ring Gear	1
13	106663	Valve Keeper	8 prs.	43	UKC1937	Dowel	1
14	111870	Valve Collar-Upper	8	44	UKC4254	Bolt	1
15	157229	Valve Spring Outer	8	45	TKC1840	Flywheel	1
	157476	Valve Spring Inner	8	46	BH607241	Bolt Main Bearing Cap	6
16	157510	Valve Collar-Lower	8	47	143943	Oil Gauge Adaptor	1
17	UKC2460	Intake Valve	4	48	6K433	Washer	1
18	V34289	Exhaust Valve	4	49	131535	Spring	1
19	RKC3305*	Camshaft	1	50	132107	Oil Relief Valve	1
20	105114	Locating Plate	1	51	144686	Core Plug	3
21	215350	Front Plate Gasket	1	52	148353	Core Plug	1
22	3SR62	Timing Chain	1	53	144688	Core Plug	4
23	35960	Cam Gear	1	54	144687	Core Plug	1
24	36411	Lock Tab	1	55	WA920-26	Oil Filter	1
25	42425	Chain Tensioner	1	56	105321	Gasket	1
26	UKC1110	Oil Seal	1	57	143456	Oil Seal	1
27	TJR147	Gasket	1	58	156530	Housing	1
28	217790	Cover	1	59	143552	Tappet	8
29	36234	Filler	2	60	157508	Push Rod	8
30	UKC8321	Gasket	2	61	TAK260	Head Gasket	1

ENGINE

MIDGET
1500cc ENGINE & HEAD



ENGINE

MIDGET
1500 cc ENGINE & HEAD

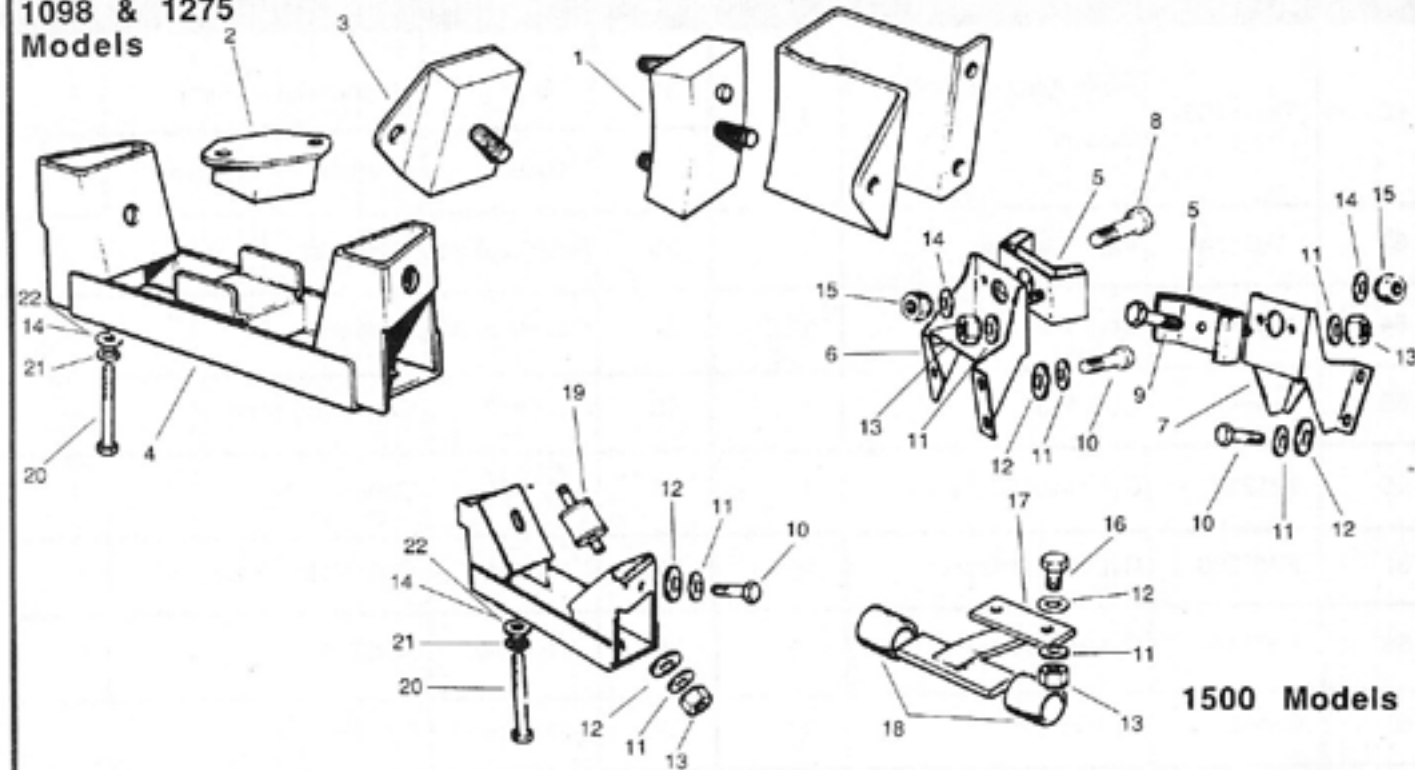
Ill No.	Part No.	Description	Qty.	Ill No.	Part No.	Description	Qty.
62	TKC1155	Head Assembly with Guides	1	81	1048610	Gear Dist./Oil Pump	1
				82	104861	Shaft-Oil Pump Drive	1
63	VAG154	Valve Guides	8	83	See Page 94	Ring Set	
64	144686	Core Plug	1	84	See Page 94	Piston	
65	144648	Core Plug	1	85	119813	Small End Bushing	4
66	121217	Cyl. Head Studs	10	86	107401	Dowel	8
67	FWP206	Cyl. Head Washer	10	87	146454	Connecting Rod	4
68	110748	Cyl. Head Nut	10	88	UKC2598	Rod Bolt	8
69	GSP4382	Spark Plug	4	89	See Page 94	Rod Bearings	
70	UKC7851	Rocker Cover Stud-To 77	2	90	See Page 94	Main Bearings	
71	UKC3653	Eng. Lifting Bracket	1	91	109495	Rocker Arm Screw	8
72	GZC1400	Oil Filler Cap	1	92	57110	Rocker Arm Nut	8
73	214814	Rocker Cover	1	93	See Page 94	Thrust Washers	
74	TJM261	Gasket	1	94	RKC918	Crankshaft	1
75	GHF201	Nut	3	95	105115	Key	1
76	GHF332	Washer	3	---	See Page 94	Head Gasket Set	
77	HB816	Bolt	1	---	See Page 94	Conversion Set	
78	121530	Distributor Housing	1	96	105143	Pilot Bush	1
79	104939	Gasket	1	*Part # RKC3305 is a new camshaft. Part # RKC3305E is a reground camshaft.			
80	500974	Pin	1				

ENGINE

MIDGET

ENGINE & GEARBOX MOUNTINGS 1098, 1275 & 1500 MODELS

1098 & 1275 Models



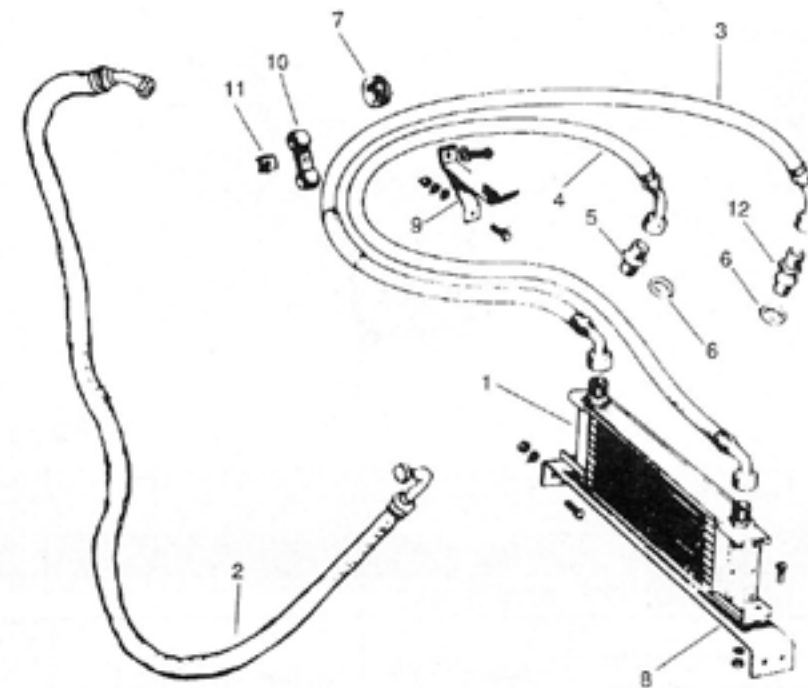
1500 Models

Ill No.	Description	Part #	Qty.	Ill No.	Description	Part #	Qty.
1098 & 1275 MODELS				12	Washer	GHF301	12
1	Motor Mount	EM50	2	13	Nut	GHF201	9
2	Gearbox Center Mount	2A5420	1	14	Washer	GHF302	2
3	Gearbox Mount	AHA9307	2	15	Nut	GHF273	2
4	Cross-member	2A5552	1	16	Bolt	BH605101	2
1500 MODELS				17	Bracket	CHA487	1
5	Motor Mount	CHA565	2	18	Rubber	CHA488	2
6	Bracket L/H	CHA258	1	19	Gearbox Mount	CHA615	2
7	Bracket R/H	CHA257	1	20	Bolt	BH606281	2
8	L/H Mounting Bolt	GHF105	1	21	Lock Washer	GHF333	2
9	R/H Mounting Bolt	SH606101	1	22	Washer	GHF302	2
10	Bracket to Frame Bolt	SH605071	6				
11	Lock Washer	GHF332	16				

OIL COOLERS

MIDGET

OIL COOLER & PIPES

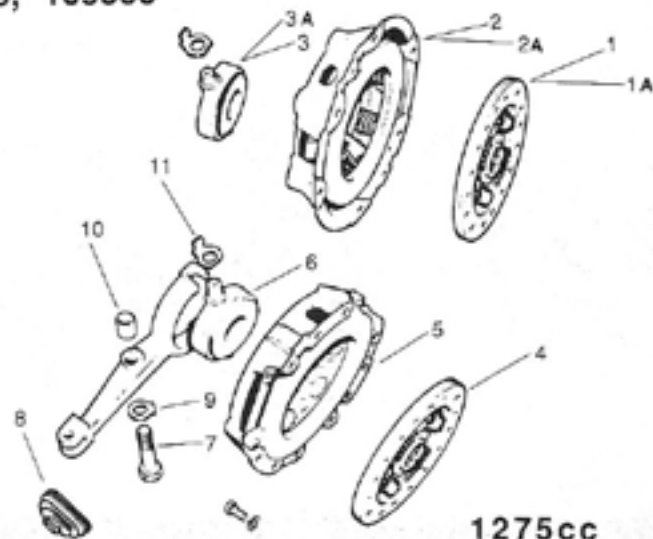


Ill No.	Part No.	Description	Qty.
1098 and 1275cc Models			
1	AR09807	Oil Cooler-10 Row	1
2	AHA7549	Oil Cooler Pipe-(Use With Vertical Flow Radiator)	2
3	AHH8537	Oil Cooler Pipe-(Use With Cross Flow Radiator)	1
4	AHA8777	Oil Cooler Pipe-(Use With Cross Flow Radiator)	1
5	AHA6424	Adaptor-Cylinder Block Union	1
6	12A1768	Cooper Washer for Cylinder Block Union	1
7	AHA8401	Oil Cooler Grommet	4
8	AHA8396	Bracket	1
9	AHA8779	Hose Bracket	1
10	AHA6865	Oil Cooler Strap Bracket	1
11	AHH6866	Oil Cooler Strap Bracket	2
12	AHA6423	Oil Filter Union Adaptor	1

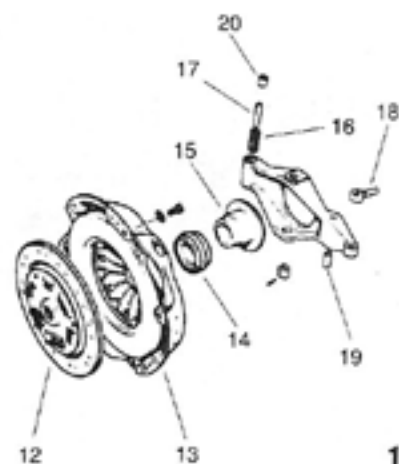
CLUTCH

MIDGET CLUTCH & MISCELLANEOUS COMPONENTS

948, 1098cc



1275cc



1500cc

Ill No.	Part No.	Description	Qty.
"A" Series Engines 948, 1098, 1275cc Models			
1	C893S	Clutch Plate	948cc 61/4" Pilot Bush-See Page 7
2	Q60000	Clutch Cover	
3	CC18	Throw-Out Bearing	
1A	C394S	Clutch Plate	1098cc 71/4" Pilot Bush-See Page 7
2A	Q60007	Clutch Cover	
3A	CC82	Throw-Out Bearing	
4	C801S	Clutch Plate	1275cc 61/2" Pilot Bush-See Page 7
5	C10005	Clutch Cover	
6	CC82	Throw-Out Bearing	
7	2A3289	Bolt for Release Arm	1
8	22H1337	Release Arm Gaiter	1
9	2K5813	Locking Tab Washer	All 948, 1098, 1275cc Models
10	2A3006	Release Arm Bushing	1
11	13H783	Throw-Out Bearing Clip	2
--	N/A		948cc (includes items 1, 2, 3)
--	N/A	Clutch Kit (Pilot Tool 33-29)	1098cc (includes items 1A, 2A, 3A)
--	QKT186		1275cc (includes items 4, 5, 6)
1500cc Models			
12	C878S	Clutch Plate	1
13	Q10024	Clutch Cover	Pilot Bush 105143
14	CCT70	Throw-Out Bearing	1
15	139563	Sleeve	1
16	129412	Release Arm Tolerance Ring	1
17	129410	Pin for Release Arm	1
18	22B65	Pushrod	1
19	112516	Pushrod Pin	1
20	129358	Release Arm Pin Bushing	1
--	QKT187	Clutch Kit	1500cc (includes items 12, 13, 14)
--	HK4978		1500cc Borg & Beck

FILTERS

MIDGET OIL, AIR & FUEL FILTERS



Model & Year	Oil		Air		Fuel
	Unipart	Standard	Unipart	Standard	
Midget 948, 1098, 1275	1961-67	GFE103	FP3320-Paper	GFE1001	F8206
Midget 948, 1098, 1275	1961-67	GFE103 (Paper)	F2833-Felt		
		FP3320 (Paper)			
Midget-1275	1967-75	GFE148	WA712 (Spin-on)	GFE1004	F8223
Midget-1500	1975-79	GFE119	WA920-26****	-----	CA2640

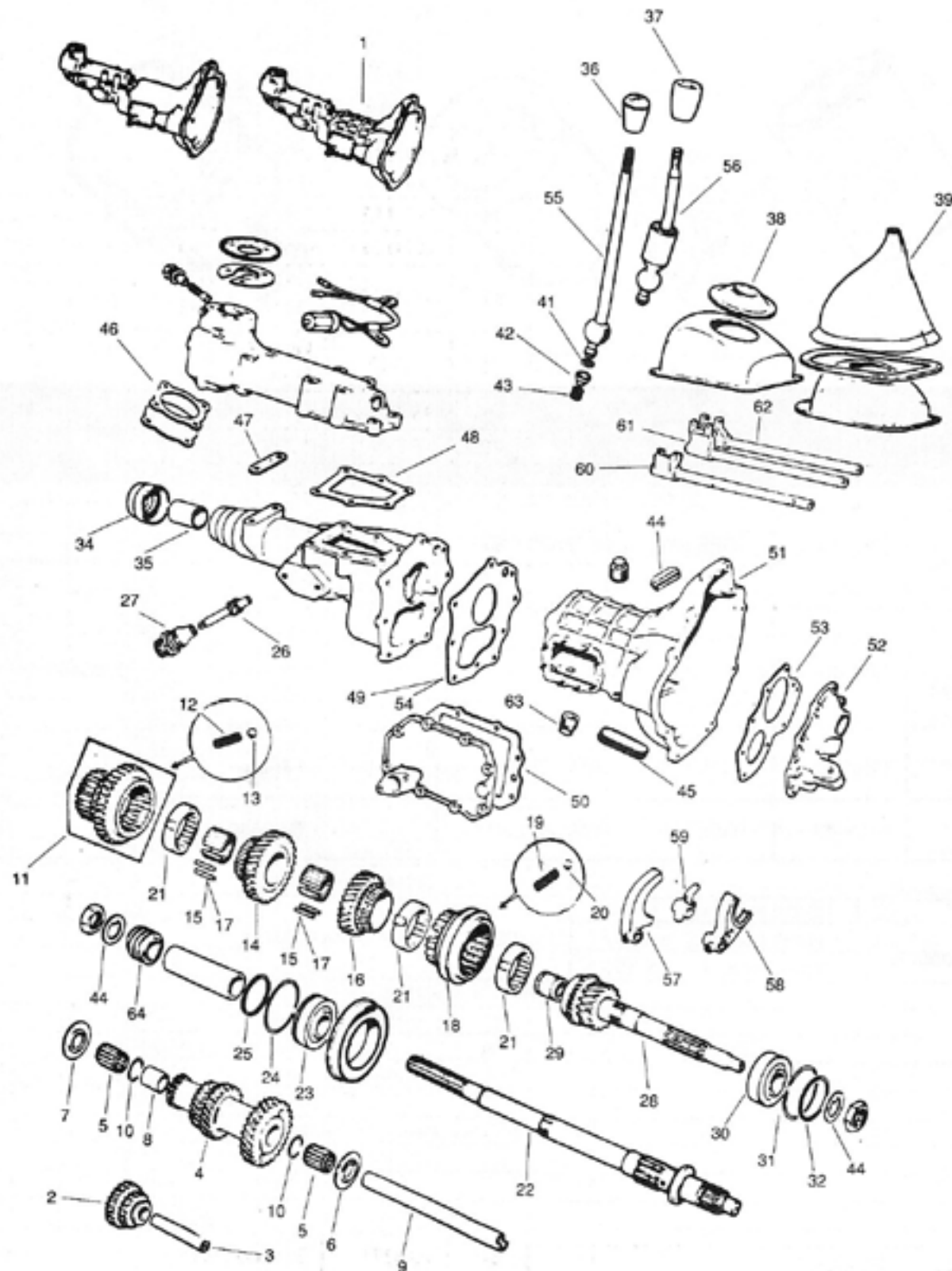
***2-Each Required

****Use Old Adaptor

TRANSMISSION

MIDGET

1098cc and 1275cc GEARBOX



TRANSMISSION

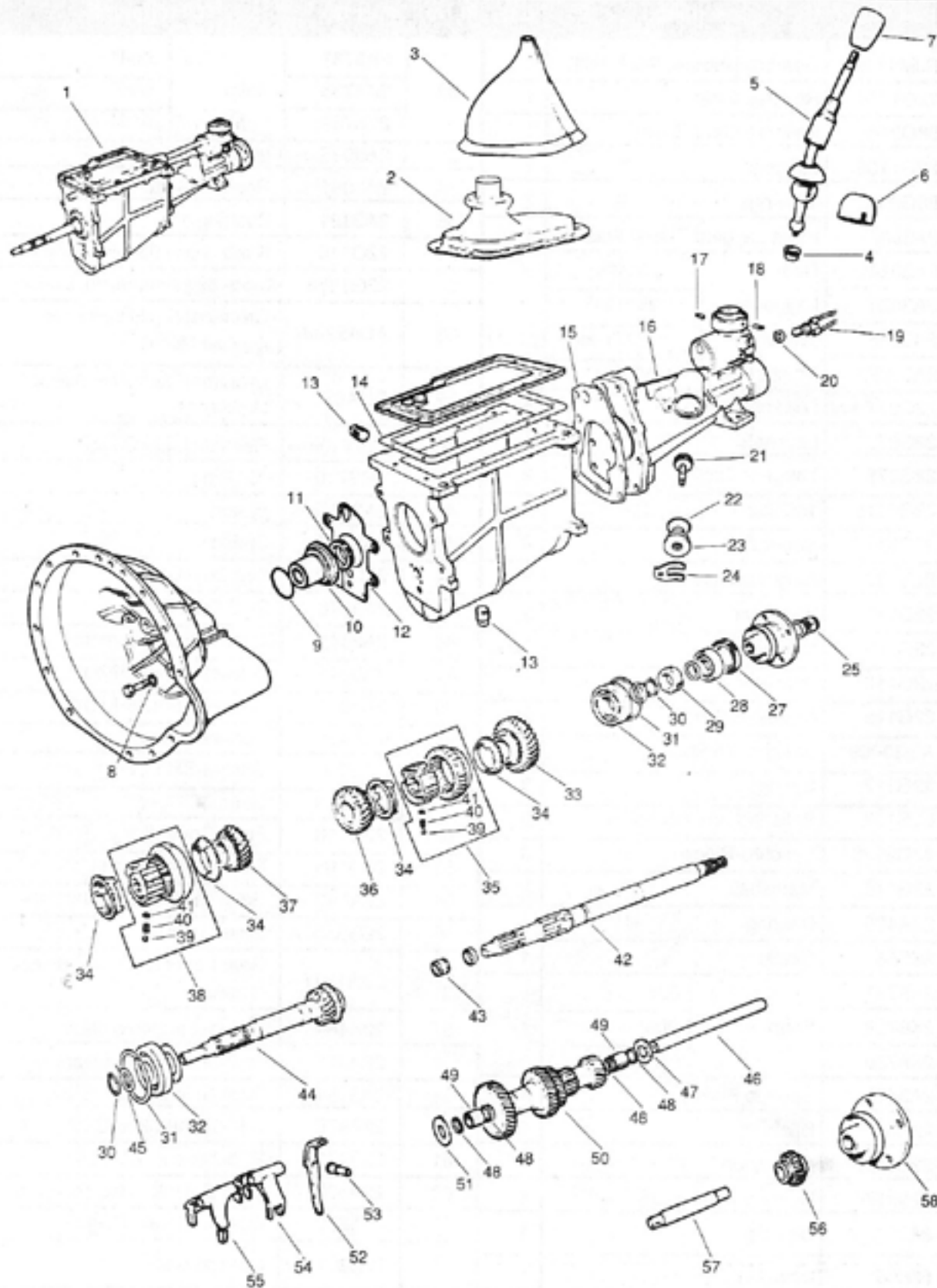
MIDGET

1098 cc & 1275 cc GEARBOX

Ill No.	Part No.	Description	Qty.	Ill No.	Part No.	Description	Qty.		
1	RJM1109E	Gearbox Ribcase GSG1107E	1	32	2K8737	Shim .004"	1		
2	22G1114	Reverse Gear	1		2K8738	Shim .006"			
3	88G216	Reverse Gear Shaft	1		2K8739	Shim .010"			
4	22G1100	Laygear	1	33	2A3035	Lock Tab Washer	1		
5	88G396	Bearings	2	34	2A3061	Rear Oil Seal	1		
6	2A3023	Front Laygear Thrust Washer	1	35	2A3325	Bushing	1		
7	2A3024	Rear Laygear 123°/124°	1	36	22G110	Knob-(Up to Split Rear Bump.)	1		
	2A3025	Laygear 125°/126°		37	22G1860	Knob-(Split Rear Bump. Models)	1		
	2A3026	Thrust Washer 127°/128°		38	ACA5208	Grommet-(Up to Split Rear Bumper Models)	1		
	2A3027	Washer 130°/131°		39	CHA69	Grommet-(Split Rear Bumper Models)	1		
8	22G277	Distance Piece	1	40	See Page 63	Reverse Light Switch	1		
9	22G673	Layshaft	1	41	TRS710	"O" Ring	1		
10	22G278	Laygear Circlips	2	42	2A3467	Button	1		
11	22G1118	1st Gear	1	43	2A3390	Spring	1		
12	22G317	Springs	3	44	22G199	Top Dust Cover	1		
13	BLS107	Balls 1st Gear	3	45	2A3076	Side Dust Cover	1		
14	22G1120	2nd Gear	1	46	2A3341	Gasket-Plate-Remote	1		
15	22G149	Needle Rollers	26	47	2A3345	Gasket-Remote-Rear	1		
16	22G1121	3rd Gear	1	48	2A3344	Gasket-Remote-Front	1		
17	22G149	Needle Rollers	26	49	22A481	Gasket-Casing	1		
18	AEG3009	3rd and 4th Speed Hub	1	50	2A3286	Gasket-Side Cover	1		
19	22G317	Springs	3	51	38G313	Gearbox Case	1		
20	BLS107	Balls 3rd and 4th Speed	3	52	22G118	Front Cover	1		
21	22G2033	Synchro-Rings	3	53	22G165	Front Cover Gasket	1		
22	22G146	Mainshaft	1	54	22A481	Rear Tail Housing Gasket	1		
23	22A465	Bearing	1	55	22G328	Gear Lever	1		
24	6K558	Circlip	1	56	22G1397	Gear Lever (Split Rear Bumper Models)	1		
25	2K8737	Shim	1		57	22A469	Fork-1st and 2nd Gear	1	
	2K8738			Shim .006"		58	22A471	Fork-3rd and 4th Gear	1
	2K8739			Shim .010"		59	2A3284	Gear Selector Fork-Reverse	1
26	2A3420	Speedo Pinion	1	60	22A470	Rod-1st and 2nd Gear	1		
27	22A71	Bushing	1	61	22A472	Rod-3rd and 4th Gear	1		
28	22G229	1st Motion Shaft	1	62	22A468	Gear Selector Rod-Reverse	1		
29	CHM172	Bearing-Inner	1	63	2K5830	Gearbox Drain Plug	1		
30	2A3245	Bearing	1	64	2A3371	Speedo Gear	1		
31	6K558	Circlip	1						

TRANSMISSION

MIDGET 1500CC GEARBOX



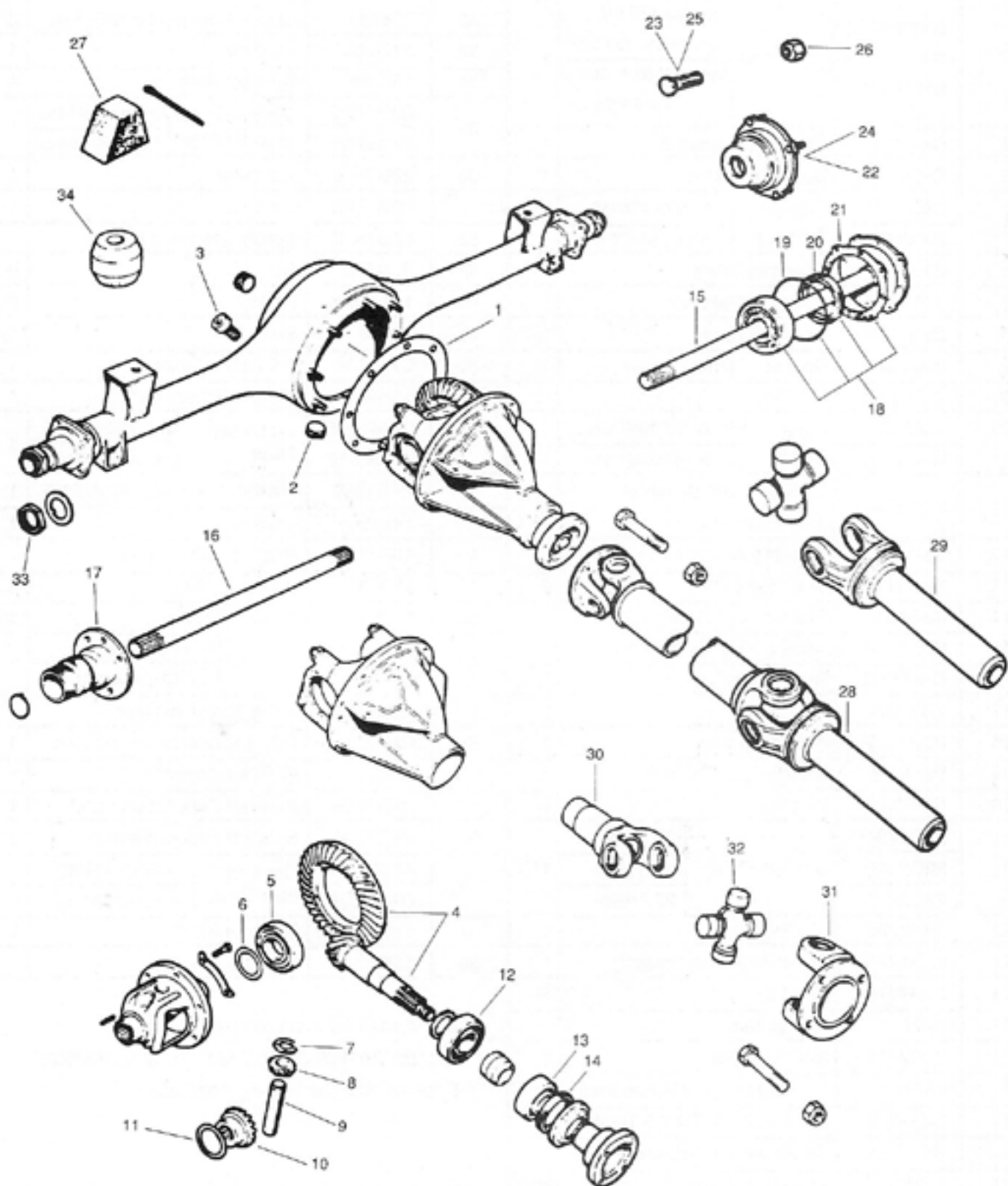
TRANSMISSION

MIDGET 1500 cc GEARBOX

Ill No.	Part No.	Description	Qty.	Ill No.	Part No.	Description	Qty.	
1	BHM5003E	Gearbox to: Gbx.#59162 and 60001 to 65224 from: 59163 to 60000 and 65225 on	1	32	104433	Center Bearing-3rd Motion sh.	2*	
	BHM5060E			33	22G1641	1st Gear	1	
				34	150328	Synchro Ring	4	
				35	22G1975 DAM6828	Synchro Hub-1st & 2nd to Gbx.#241363 from 241364 on	1	
2	CHA431	Gearshift Grommet	1	36	22G1816	2nd Gear	1	
3	CHA466	Gaiter-Gearshift	1	37	22G1643	3rd Gear	1	
4	22G1424	Gearshift Bushing to: Gbx.#56469 from #56470 on	1	38	22G1976	Synchro Hub-3rd & 4th	1	
	DAM3045							
5	22G2797	Gearshift Lever	1	39	BLS108	Ball	6	
6	22G1434	Gearshift Retainer	1	40	104445	Spring	6	
7	22G1755	Gearshift Knob	1	41	37948	Shim	A/R	
8	500464	Copper Washer	1	42	DAM738	3rd Motion Shaft	1	
9	22G1944	"O" Ring	1	43	13H9513	Needle Roller Bearing	1	
10	122566	Front Cover for BHM5003E Gbx. for BHM5060E Gbx.	1	44	DAM1005	1st Motion Shaft for BHM5003E for BHM5060E	1	
	UKC7926			DAM2818				
11	22G2028	Oil Seal-Front Cover-for BHM5060E Gbx.	1	45	22G1869	Washer-not fitted to BHM5060E	1	
				46	144595	Layshaft	1	
12	157690	Gasket for Front Cover	1	47	106270	Rear Thrust Washer	1	
13	22G2115	Drain/Filler Plug	2	48	119891	Retaining Ring	4	
14	22G1911	Gasket-Top Cover	1	49	119893	Needle Rollers	50	
15	22G1420	Gasket-Rear Extension	1	50	22G1818**	Laygear See Footnote from Gbx.#241364 on	1	
16	DAM1650	Rear Extension	1		DAM2703			
17	22G2277	Pin (Short)	1	51	113229	Front Thrust Washer	1	
18	22G2276	Pin (Long)	1	52	CHM63	Rev. Lever from Gbx.#5332 on	1	
19	See Page 63	Reverse Light Switch	1	53	DAM1714	Pin-Rev. Lever***	1	
20	GHF302	Washer	1	54	22G1406	Selector Fork 1st and 2nd	1	
21	22G1784	Speedo Pinion	1	55	22G1584	Selector Fork 3rd and 4th	1	
	22G2013			20 Teeth	56	144580	Reverse Idler Gear to Gbx.#241363 from 241364 on	1
	22G2015			21 Teeth		DAM6826		
22	13H2792	"O" Ring	1	57	113071	Reverse Shaft	1	
23	22G1486	Speedo Pinion Housing	1	58	155755	Flange	1	
24	22G1711	Retainer	1	*Also Fitted to 1st Motion Shaft **NLA use DAM2703 with DAM6828 and DAM6826 ***Replace as a pair in early gearboxes				
25	510618	Flange Nut	1					
27	22G2353	Rear Oil Seal	1					
28	157732	Rear Bearing-3rd Motion Shaft	1					
29	22G1752	Speedo Drive Gear-6 Teeth	1					
30	CCN116	Circlip-3rd Motion Shaft	2*					
31	112654	Snap Ring-3rd Motion Shaft	2*					

DRIVELINE

MIDGET REAR AXLE & DRIVESHAFTS



DRIVELINE

MIDGET REAR AXLE & DRIVESHAFTS

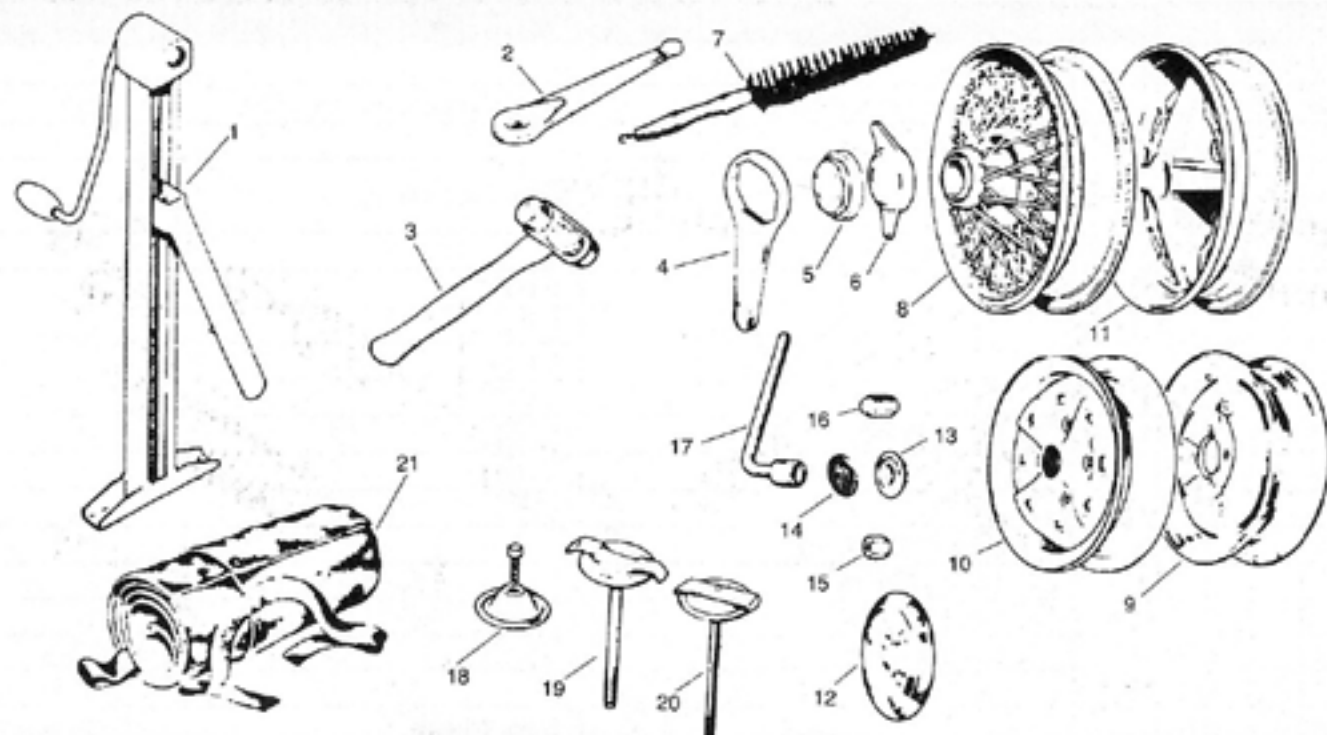
Ill No.	Part No.	Description	Qty.
1	2A7027	Gasket	1
2	6K499	Plug-Drain & Filler	Qty. Reduced for Late Diff.
3	21H6060	Breather	1
4	BTA539	Ring & Pinion	Late Type Diff. Only
	BTA1223		
5	2K5943	Bearing	2
6	2K7779	Shim	0.002"
	ATA7269		0.003"
	2K7778		0.004"
	2A7271		0.010"
7	2A7062	Thrust Washer	2
8	2A7015	Differential Gear	2
9	2A7016	Pin	1
10	ATA7037	Differential Wheel	2
11	ATA7039	Thrust Washer	2
12	ATA7166	Inner Bearing	1
13	BTB440	Outer Bearing	1
14	88G320	Oil Seal	1
15	BTA806	Halfshaft	Steel Wheels
16	BTA807		Wire Wheels
17	BTA688	Splined Hub	RH
	BTA689		LH
18	QWB128C	Wheel Bearing Kit	2
19	ATA7225	"O" Ring	2
20	GHS147	Oil Seal	2
21	GFG110	Gasket	2
22	BTA490	Hub	Wire Wheels
23	BTA492	Stud	Wire Wheels
24	2A7087	Hub	Steel Wheels
25	2A7089	Stud	Steel Wheels
26	88G322	Wheel Nut	NOT Rostyle
	AHA8785	Wheel Nut Chrome	Rostyle
27	2A7142	Bump Rubber	1/4 Elliptic Cars
28	AHA9053	Driveshaft	948, 1098, 1275cc Models
	CHA336		1500cc Models
29	37H4149	Sleeve Yoke Front	948, 1098, 1275cc Models
30	7H3865	Sleeve Yoke Front	1500cc Models
31	17H3828	Flange	Fixed Joint
	37H4973		Slip Joint
32	QL15002	U-Joint	2
33	2A7103	Nut-Rear Hub-RH Thread	1
	1G3584	Nut-Rear Hub-LH Thread	
34	AHH9158	Bump Rubber	Semi-Elliptic Cars

Note: Early Type differentials were fitted to most 1/4 elliptic axles. These can be identified by the extra filler plug on the side of the differential carrier. If no year or model is mentioned, part number fits all Midgets 1961-79.

DRIVELINE

MIDGET

ROAD WHEELS, TOOLS, ECT.

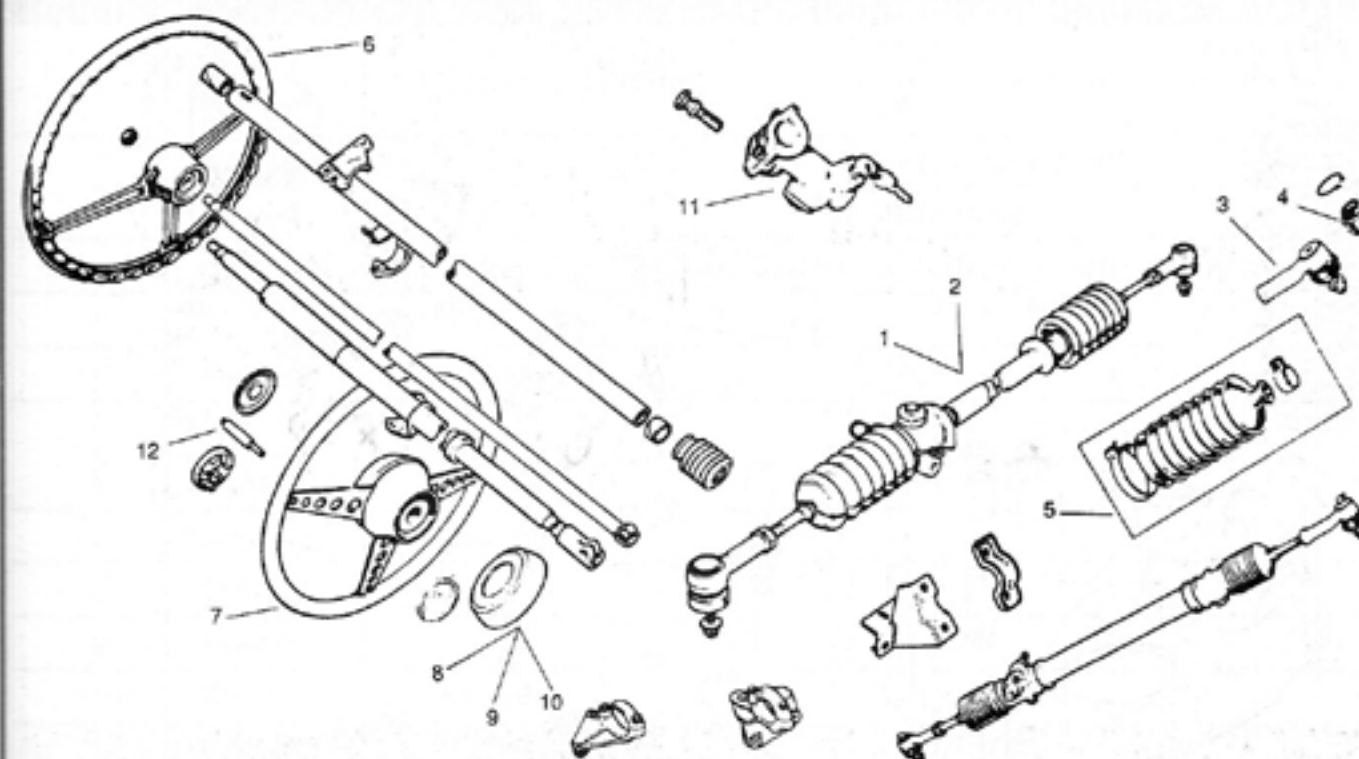


Ill No.	Part No.	Description	Qty.
1	BHA4964	Jack	Chrome Bumper Cars
	BHA5329		Rubber Bumper Cars
2	13H6692	Jack Handle	1
3	88G329	Lead Hammer	1
4	AHH5839	Wire Wheel Wrench	1
5	88G606	Knock Off-Octagon	RH
	88G607		LH
6	AHA7373	Knock-Off-Eared	RH
	AHA7374		LH
7	MWB001	Wire Wheel Brush	1
8	AHA6377	Wire Wheel	5
9	AHA6455	Steel Wheel	5
10	AHA8892	Wheel	Early Rostyle 1970-72
11	AHA9881	Wheel	Rostyle 1972-79
12	AHA5660	Hub Cap	4
13	AHA8950	Center Cap	Rostyle Only
14	AHA8950B	Center Cap Badge-for Above	
15	88G322	Wheel Nut	Use with AHA6455
16	AHA8785	Wheel Nut	Rostyle Only
17	2A5626	Lug Wrench	1
18	24A1032	Spare Wheel Clamp	Use with AHA6455
19	AHA9940		Rostyle Only
20	AHA6664		Wire Wheel
21	AHA5506	Tool Bag	1

STEERING

MIDGET

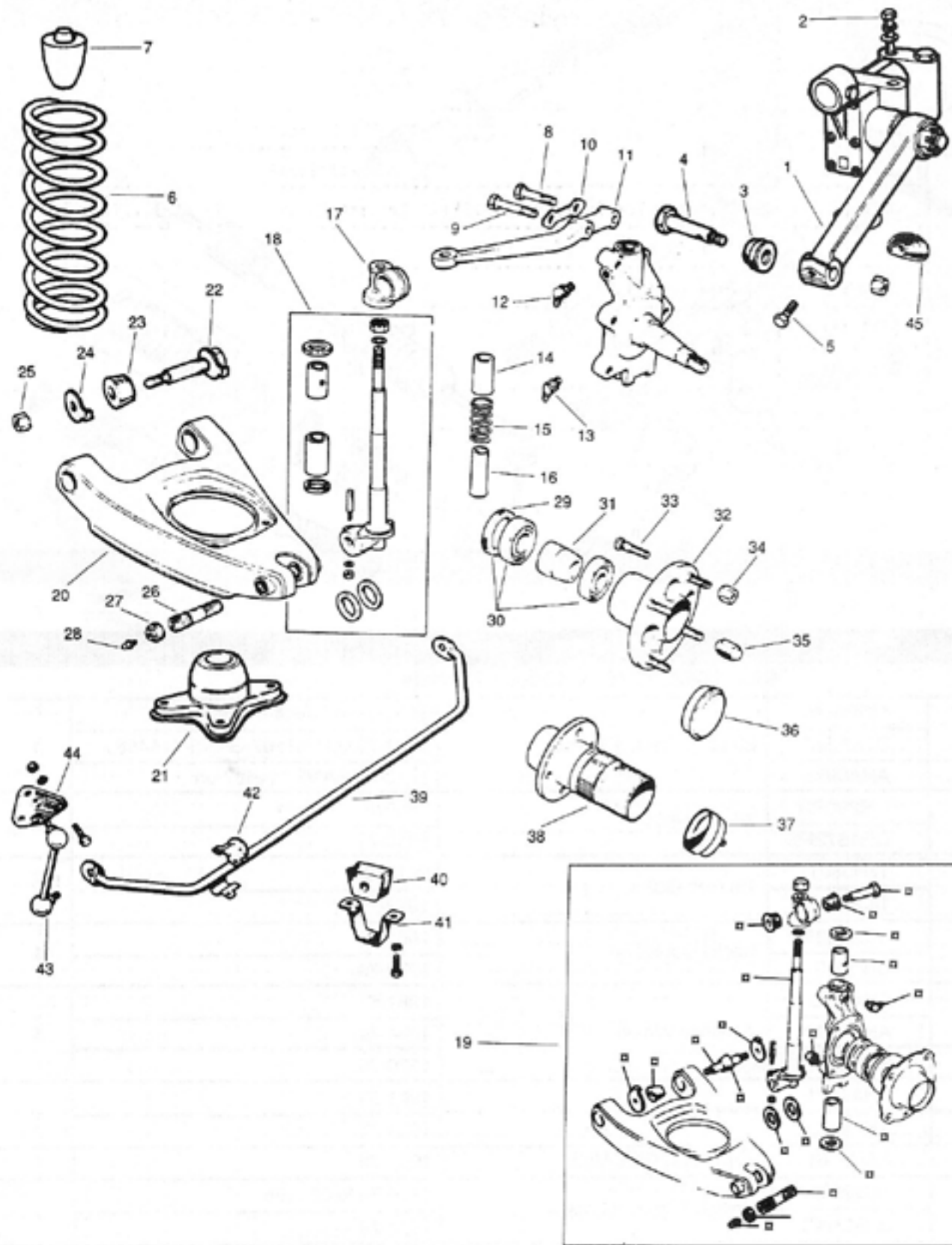
RACK & PINION, COLUMNS, STEERING WHEELS ECT.



Ill No.	Part No.	Description	Qty.
948, 1098, 1275, & 1500cc Models			
1	MRP8LN	Steering Rack & Pinion	1961-67 to GAN4-61166
	BTA1097		1967-73 GAN61167-GAN5-114486
2	AHA9955	Tie Rod End	1973-79 GAN5-114487 on
			to 1972
3	QR290RH	Tie Rod Gaiter	1972-79
	QR1572RH		to 1972
4	17H3501	Rack Boot Kit	1961-73
	143992		1973-79
5	ACA6029K	Steering Wheel	1961-64
	QG1010		1964-70
6	AHA6372	Horn Push	1970-79
	AHA9193		1961-69
7	BHH1307	Horn Push-Gold Motif	1969-71
	AHA6371		1971-79
8	AHA4442	Ignition Switch & Lock Assy.	1970-74 to 325856
	BHA4442		1974-79
9	AAU1161	Horn Brush	1
	18G8905		1
10	BHM7143	Horn Brush	1
	BHA5041		1

SUSPENSION

MIDGET FRONT SUSPENSION



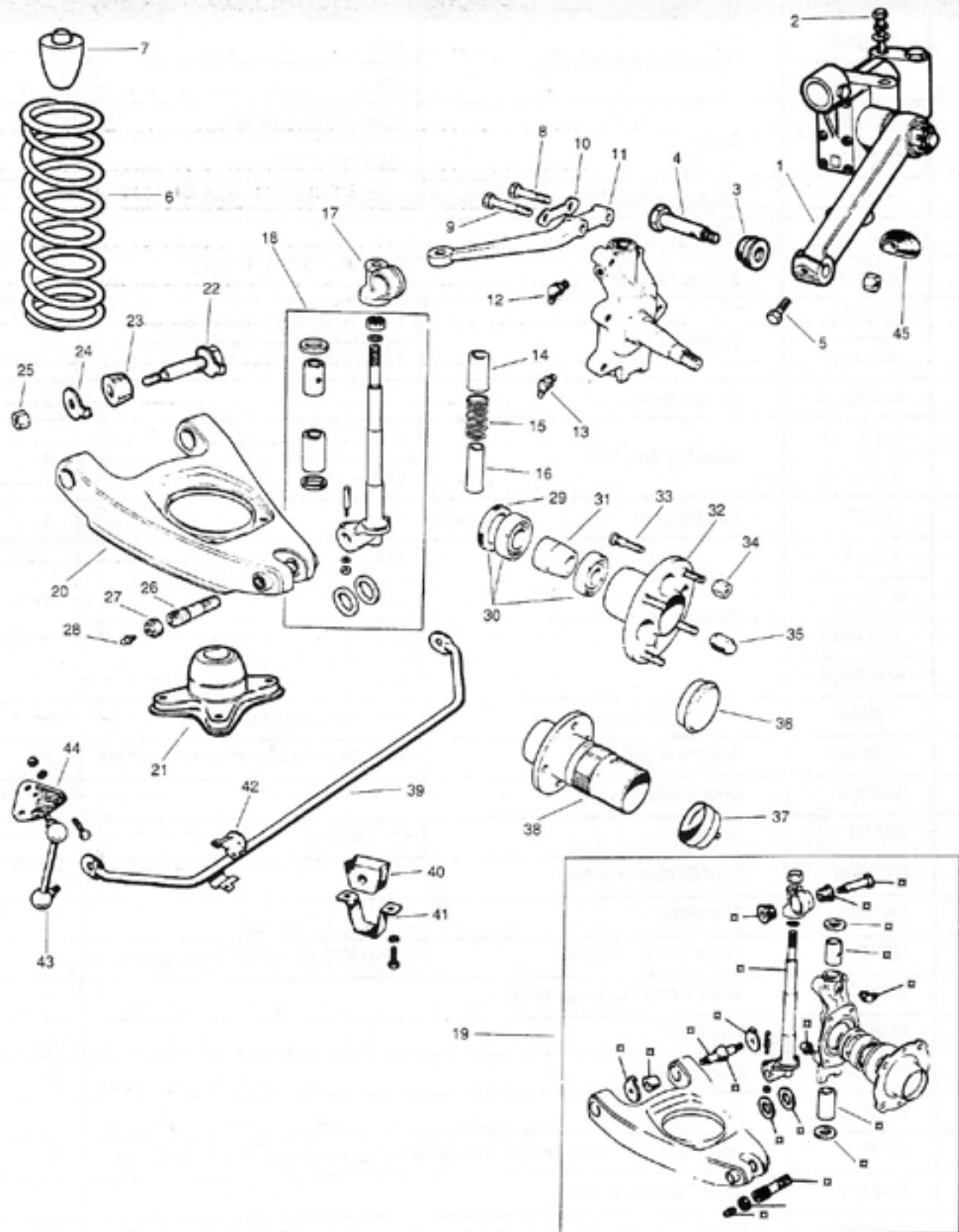
SUSPENSION

MIDGET FRONT SUSPENSION

Ill No.	Part No.	Description	Qty.	
1	5925/1R	Front Shock-Armstrong	RH	1
	5925/1L		LH	
2	53K1364	Bolt	1098, 1275cc Models	6
	CHA398		1500cc Models	
3	88G274	Bushings-Top-Or Purchase QSK5S-Suspension Kit-Includes Ill# 3 & 23	4	
4	2A4028	Top Pin	2	
5	53K1389	Shock Pin Bolt	2	
6	CHA129	Spring	948, 1098, 1275cc Models	2
	CHA570		1500cc Models	
7	AHA6378	Bump Stop	2	
8	53K1370	Steering Arm Bolt	Short	2
9	ATA4132		Long	
10	2K5377	Tab Washer	2	
11	BTA648	Steering Arm	RH	1
	BTA649		LH	
	AHA9957		RH	
	AHA9958		LH	
			Use Prior to AHA9957/8	
			GAN5-115643 on	
12	UHN445	Grease Nipple	90+ Top-Disc Brake Cars	2
13	UHN490	Grease Nipple	45+ Qty. Reduced for Disc Brakes	4/2
14	2A4010	Dust Excluder Top		2
15	6K653	Spring	Disc Brakes	2
16	BTA606	Dust Excluder Bottom		2
17	2A4005	Trunion		2
18	QP624TC	King Pin Kit 1963-79	QP314TC-61-62 W/Drum Brakes	2
19	QSK136S	Major Front Suspension Kit		2
20	AHA7029	Wishbone		2
21	21A137	Spring Seat		2
22	2A4272	Inner Fulcrum Bolt		4
23	8G621	Inner Fulcrum Bushing-Or Purchase QSK5S-Suspension Kit-Includes Ill# 3 & 23		8
24	2A4024	Inner Fulcrum Washer		4
25	GHF223	Nut		4

SUSPENSION

MIDGET FRONT SUSPENSION



SUSPENSION

MIDGET FRONT SUSPENSION

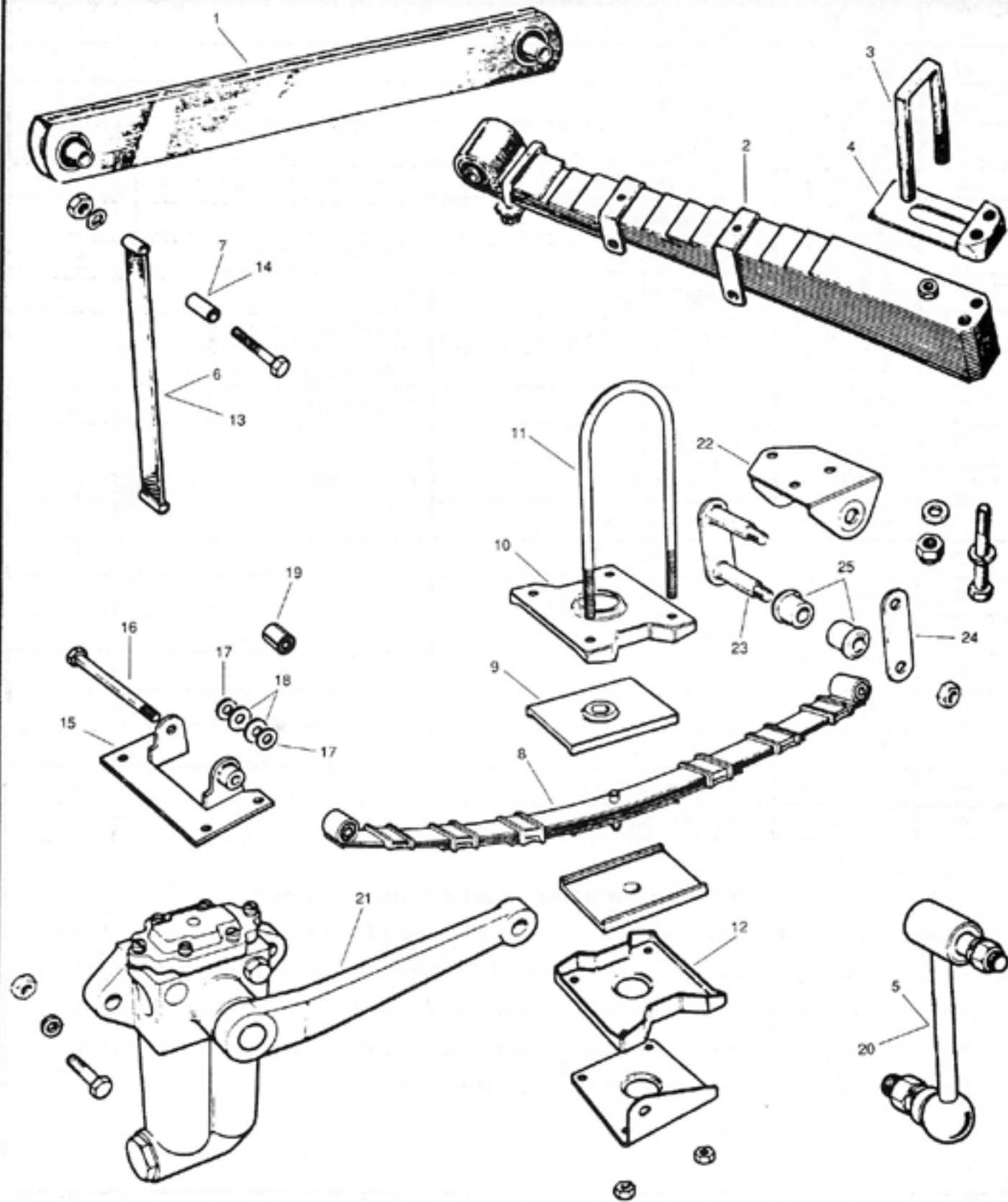
Ill No.	Part No.	Description	Qty.	
26	2A4020	Fulcrum Pin	2	
27	8G589	Grease Plug	2	
28	UHN400	Grease Nipple	2	
29	GHS142	Oil Seal	2	
30	QWB105C	Wheel Bearing Kit	Inner & Outer Bearing & Oil Seals	2
31	88G321	Bearing Spacer		2
32	BTA1254	Hub Assembly	Steel Wheel/Disc Brakes	2
33	BTA339	Wheel Stud	Steel Wheel	8
34	88G322	Lug Nut	Non-Rostyle Wheels	8
35	AHA8785	Lug Nut	Rostyle Wheels	8
36	2A4067	Grease Cap	Steel Wheels	2
37	BTC392	Grease Cap	Wire Wheels	2
38	BTA686	Hub Assembly-RH		1
	BTA687	Hub Assembly-LH		
39	AHA7013	Anti-Roll Bar	9/16"	1
40	AHH6541	Anti-Roll Bar Bushing	9/16"	2
41	BHH2000	Bearing Strap		2
42	AHH6546	End Strap		4
43	AHA7011	Anti-Roll Bar Link	RH	1
	AHA7012		LH	
44	AHA7028	Anti-Roll Bar Plate		2
45	2A4082	Boddy Buffer		2

QSK136 Major Front Suspension Kit includes the following:

1-Swivel Pin, 1Swivel Pin Top Bushing, 1Swivel Pin Bottom Bushing, 1 Cotter & Nut for Swivel Pin, 1 Thrust Washer, 1 Shim Adjustment (.012"), 1 Sealing Ring (Rubber), 1 Sealing Ring (Dust Tube), 2 Fulcrum Pins-Inner-Lower Link, 1 Swivel Pin Nut, (Y9) 4 Bushings-Lower Link, 2 Washers-Fulcrum Pin, (Y11) Outer Fulcrum Pin, 1 Plug-Fulcrum Pin-Large Bush-Screwed, 1 Lubricator, 1 Sealing Ring-Fulcrum Pin-Small, 1 Cork Ring-Fulcrum Pin Large, 1 Fulcrum Pin-Trunnion Link, (Y16) 2 Bushings-Upper Link, 2 Lubricators-Swivel Axle Bushings.

SUSPENSION

MIDGET REAR SUSPENSION



SUSPENSION

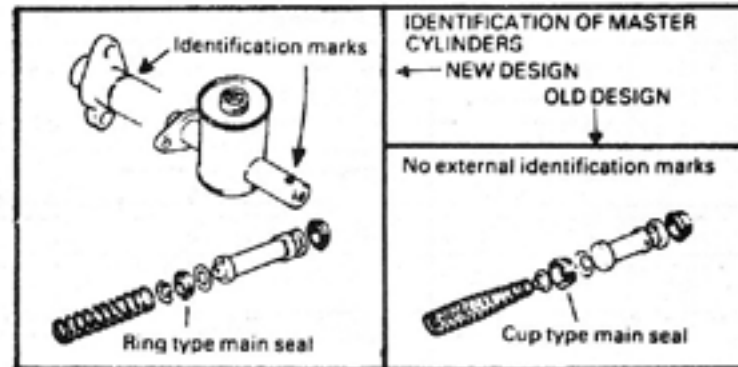
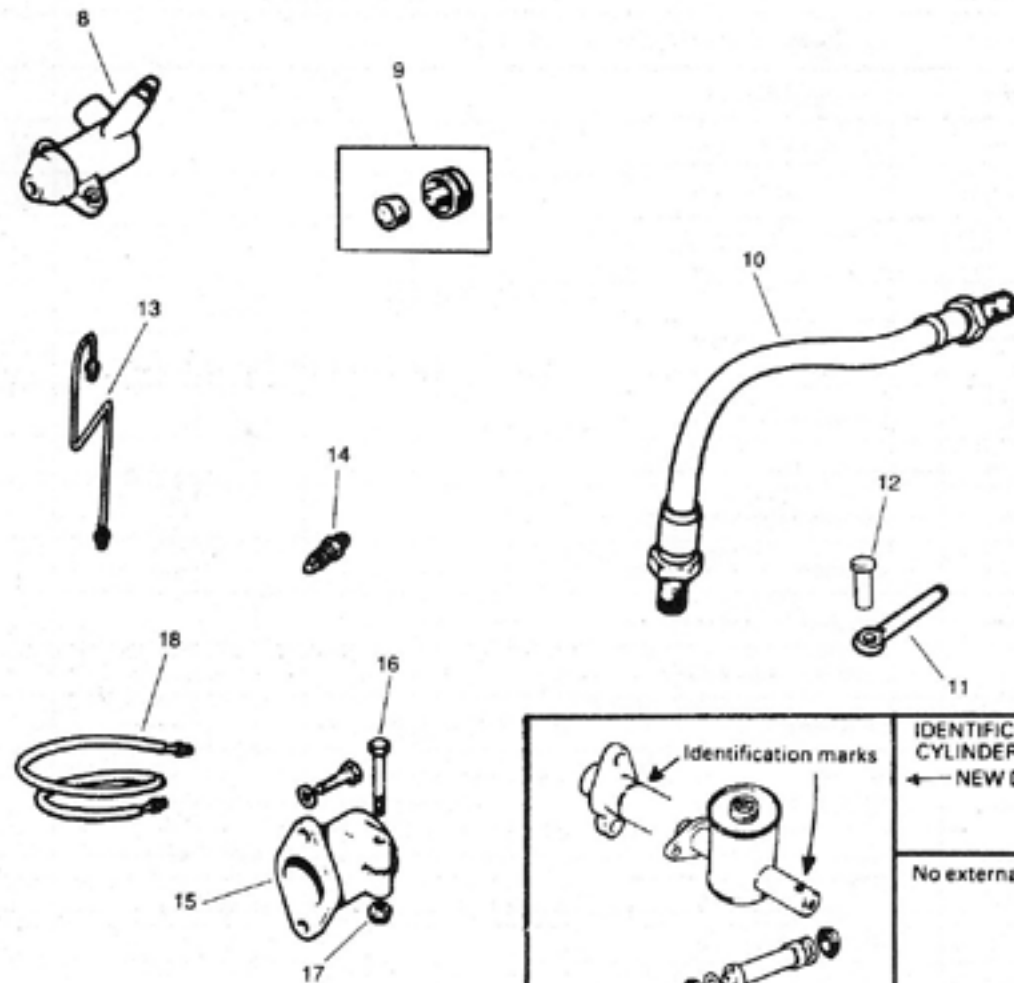
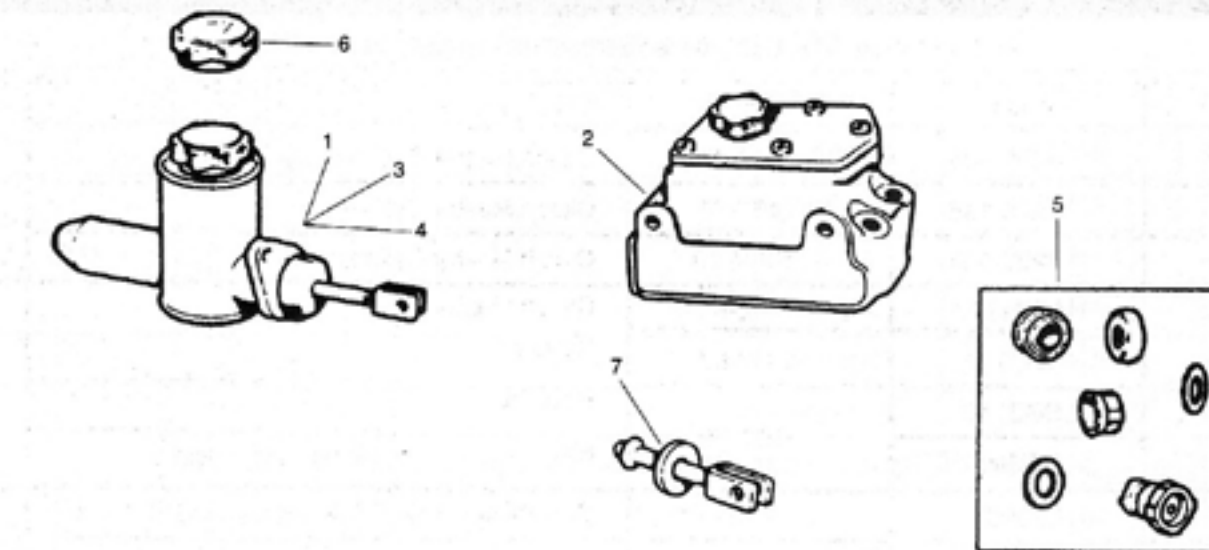
MIDGET REAR SUSPENSION

Ill No.	Part No.	Description	Qty.	
1/4 Elliptic Rear Suspension System MK I				
1	2A7310	Radius Arm	2	
2	2A7309	Spring	2	
3	AHA5221	"U" Bolt	2	
4	AHA5222	Spring Plate	2	
5	AHA5313	Link Arm	2	
6	AHH5081	Rebound Strap	2	
7	2A7306	Distance Tube	2	
Semi-Elliptic Rear Suspension System MK II, III, 1500				
8	AHA8093	Spring	1098, 1275cc Models	2
	CHA493		1500cc Models	
9	ACA5138	Spring Pad	4	
10	ACA5139	Locating Plate	4	
11	AHA8097	"U" Bolt	4	
12	AHA7172	Shock Bracket	RH	1
	AHA7173		LH	
13	AHH5081	Rebound Strap	1098, 1275cc Models	2
	BHH989		1500cc Models	
14	2A7306	Distance Tube	2	
15	AHA7174	Spring Mounting Plate	2	
16	AHA7180	Spring Mounting Bolt	2	
17	AHA7178	Washer	4	
18	AHA7179	Washer-Plastic	4	
19	AAA629	Bushing-Silent Bloc	2	
20	8407	Link Arm	2	
21	8681R	Shock Absorber	RH	1
	8681L		LH	
22	AHA7201	Spring Bracket	2	
23	AHA7686	Shackle	2	
24	AHA7687	Shackle Plate	2	
25	AHA7182	Shackle Bushing	8	

CLUTCH HYDRAULICS

MIDGET

CLUTCH MASTER CYLINDER, SLAVE CYLINDER & COMPONENTS



CLUTCH HYDRAULICS

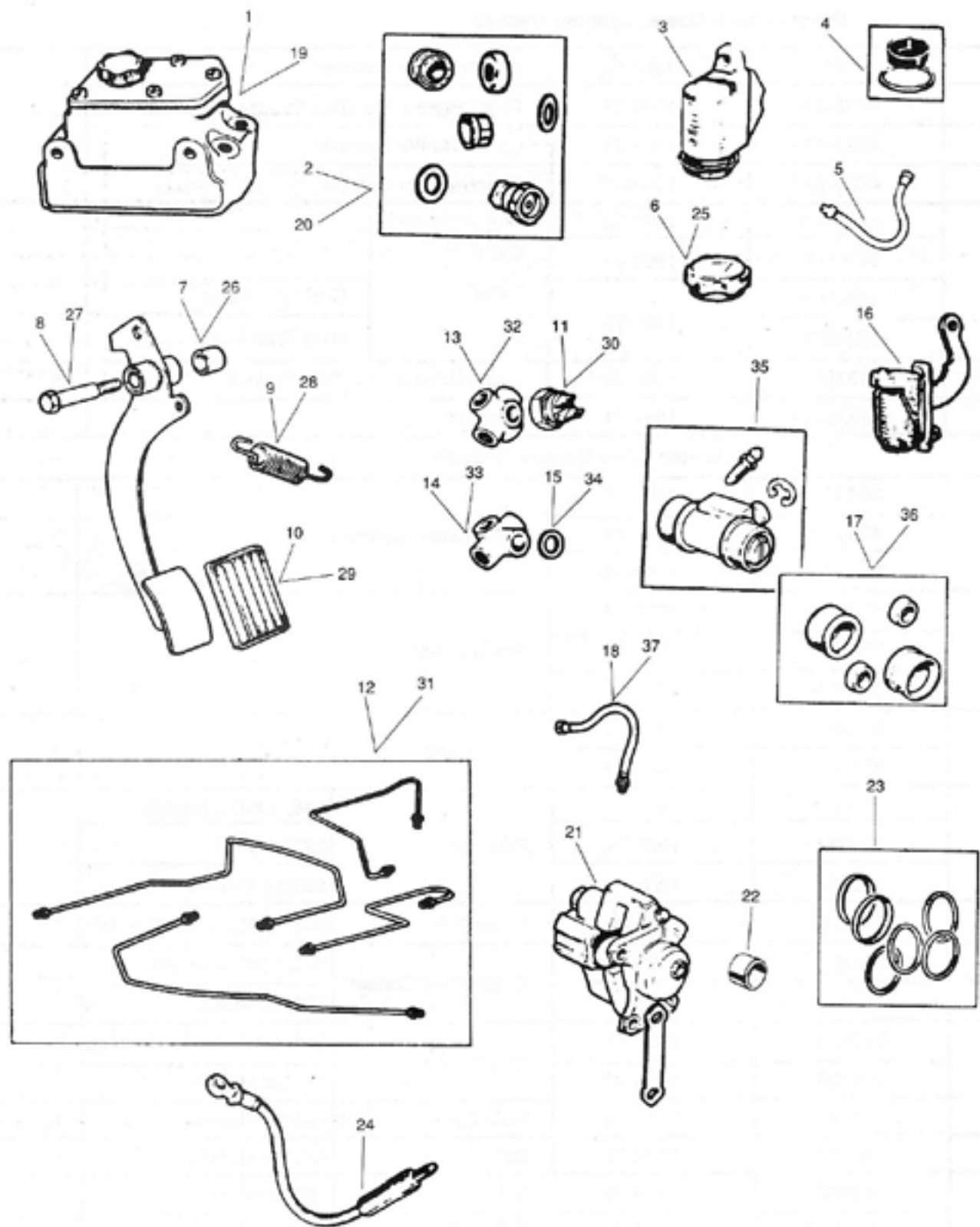
MIDGET

CLUTCH MASTER CYLINDER, SLAVE CYLINDER & COMPONENTS

Ill No.	Part No.	Model Year & Description	Qty.	
Midget Clutch Master Cylinder 1962-79				
1	39121	1962-63 Clutch Master Cylinder	1	
2	4222-804	1963-67 Clutch Master Cyl.-Twin Cyl. Brake & Clutch		
3	4223-135	1967-74 Clutch Master Cylinder		
4	4223-133	10/74-79 Clutch Master Cylinder		
5	KL71527	1962-63 Clutch Master Cylinder	1	
	SSB717	1963-67 Rebuild Kit		Cup Type Seals
	SSB716* SSB993*	1967-79 Rebuild Kit		Ring Type Seals
6	513123	1962-79** Cap-**Does Not Fit Twin Brake & Clutch units	1	
7	AAU3469	1967-74 Pushrod	1	
Clutch Slave Cylinder 1962-80				
8	96340	1962-67 Clutch Slave Cylinder	1	
	4253-310	1967-74 Clutch Slave Cylinder		
	LL12401	10/74-79 Clutch Slave Cylinder		
9	KL71590	1962-67 Slave Cylinder Kit	1	
	SSB618 SSB624	1967-74 Slave Cylinder Kit		
10	BH320	1967-74 Clutch Hose	1	
	KL100410L	10/74-79 Clutch Hose		
11	13H21	1962-67 Pushrod	948, 1098cc Models	
	13H3655	1967-74 Pushrod	1275cc Models	
	22B65	10/74-79 Pushrod	1500cc Models	
12	CLZ517	1962-74 Clevis Pin	948, 1098, 1275cc Models	
13	2A5615	1962-67 Clutch Pipe-Copper	948, 1098cc Models	
	-----	1967-74 Clutch Pipe-Copper	1275cc Models	
14	3H2428	1962-74 Bleeder Screw	948, 1098, 1275cc Models	
	606733	10/74-79 Bleeder Screw	1500cc Models	
15	206175	10/74-79 Slave Cylinder Housing	1500cc Models	
16	BH605181	10/74-79 Bolt	1500cc Models	
17	GHF223	10/74-79 Nut	1500cc Models	
18	ADU1796	10/74-79 Clutch Hose	1500cc Models	

*See Diagram on Page 32 for Cylinder Identification.

**MIDGET
BRAKE HYDRAULICS**



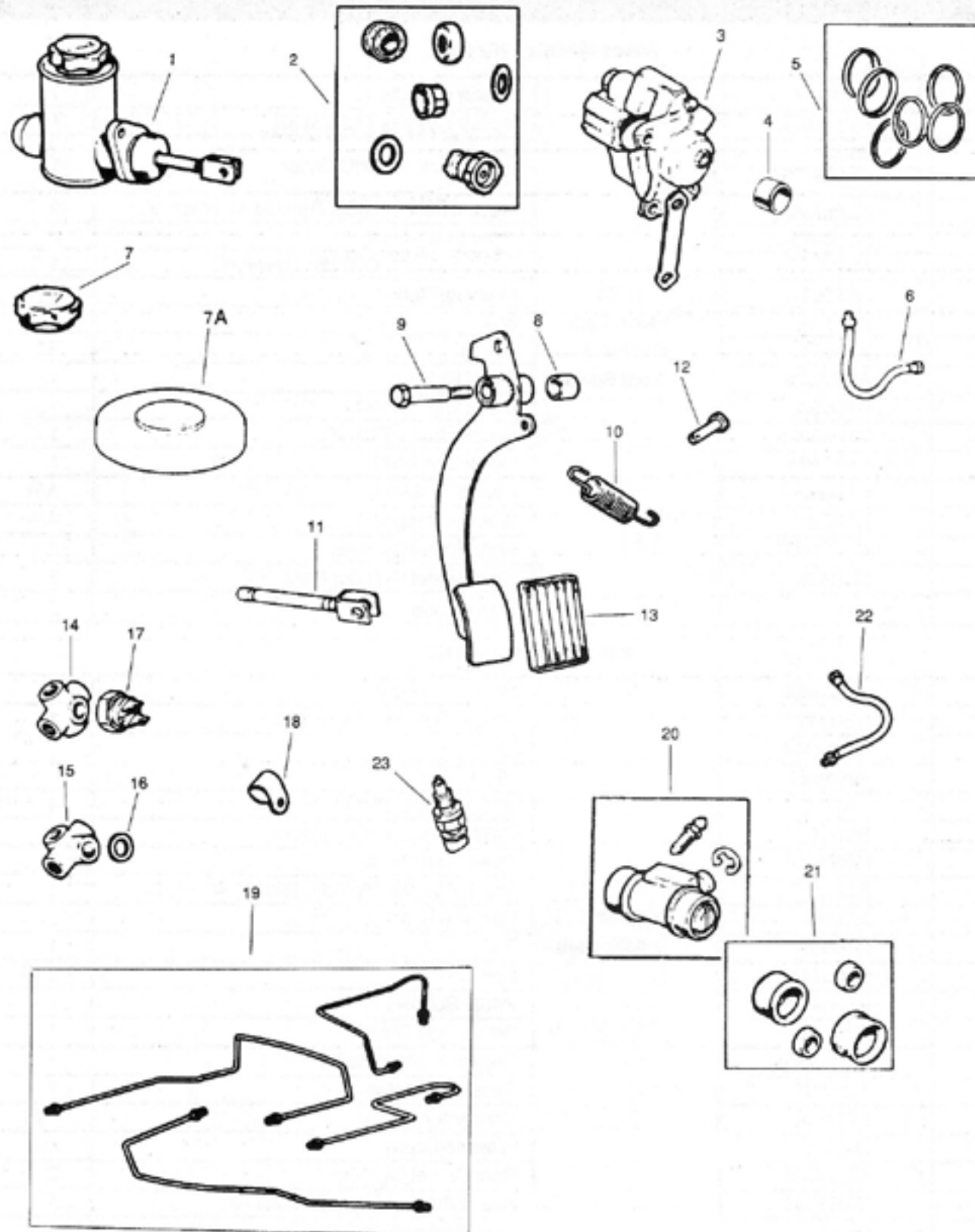
**MIDGET
BRAKE HYDRAULICS**

Ill No.	Part No.	Year & Description	Qty.		
948cc Models 1962-63					
1	39121	1962-63 948cc Cars with Front Drum Brakes	Master Cylinder	1	
2	KL71527		Master Cylinder Rebuild Kit	1	
3	35001		LH	Front Wheel Cylinder	1
	35000		RH		
4	KL71496		Front Wheel Cylinder Rebuild Kit (1-Wheel)	2	
5	KL100705L		Front Brake Hose	2	
6	513123		Cap for Master Cylinder Reservoir	1	
7	2A5564		Bushing-Pedal	2	
8	2A5568		Bolt	1	
9	2A5574		Spring	2	
10	AHA5326*		Pedal Rubber	1	
11	C16062		Brake Light Switch	1	
12	MCM5006		Copper Brake Pipe Kit	1	
13	17H7108		Connector-4-Way	1	
14	577490		Connector-3-Way	A/R	
15	233220		Washer-Copper	A/R	
16	4241-933		Rear Wheel Cylinder	2	
17	SSB528		Rear Wheel Cylinder Rebuild Kit	2	
18	BH201	Brake Hose	2		
1098cc Models 1963-67					
19	4222-804	1963-67 1098cc Cars	Master Cylinder	1	
20	SSB717		Master Cylinder Rebuild Kit	1	
21	4264-084		LH	Caliper Assembly	1
	4264-083		RH		
22	114713		Brake Caliper Piston	4	
23	SSB2601		Caliper Rebuild Kit (1-Wheel)	1	
24	GHP505		Front Brake Hose	2	
25	513123		Cap for Master Cylinder Reservoir	1	
26	2A5564		Bushing-Pedal	2	
27	2A5568		Bolt	1	
28	2A5574		Spring	2	
29	AHA5326*		Pedal Rubber	1	
30	C16062		Brake Light Switch	1	
31	MCM5032		Copper Brake Pipe Kit	1	
32	17H7108		Connector-4-Way	1	
33	577490		Connector-3-Way	A/R	
34	233220		Washer-Copper	A/R	
35	4241-396	Rear Wheel Cylinder	2		
36	SSB1522	Rear Wheel Cylinder Rebuild Kit	2		
37	BH201	Rear Brake Hose	2		

*AHA5326 also fits clutch pedal.

BRAKES

MIDGET BRAKE HYDRAULICS



BRAKES

MIDGET BRAKE HYDRAULICS

Ill No.	Part No.	Model Year & Description		Qty.
1275 & 1500 cc Models-Dual Line System 1967-79				
1	4222-745		Master Cylinder	1
2	SSB775		Master Cylinder Rebuild Kit	1
3	4264-084	LH	Caliper Assembly	1
	4264-083	RH		
4	114713		Brake Caliper Piston	4
5	SSB2601		Caliper Rebuild Kit (1-Wheel)	2
6	BH226		Front Brake Hose	2
7	513123	1275cc Cars	Cap for Master Cylinder Reservoir	1
7A	AAU3815	1500cc Cars		
8	LBS810		Bushing-Pedal	2
9	AHA8075		Bolt	1
10	AAA1628		Spring	2
11	BHA5132		Push Rod	1
12	CLZ513		Clevis Pin	1
13	AHA5326*		Pedal Rubber	1
14	17H7108	1275cc Cars	Connector-4-Way (Not for 1500cc Models)	1
15	577490		Connector-3-Way	A/R
16	233220		Copper Washer	A/R
17	C16062		Brake Light Switch	1
18	PCR307		Clip	A/R
19	MCM5032	1275cc Cars	Copper Brake Pipe Kit	1
	MCM5061	1500cc Cars		
20	4241-396	1275cc Cars	Rear Wheel Cylinder	2
	4241-193	1500cc Cars		
21	SSB1522	1275cc Cars	Rear Wheel Cylinder Kit	2
	SSB541	1500cc Cars		
22	BH201		Rear Brake Hose	2
23	4324-656	1977-79	Pres. Differential Warn. Actuator from c#167704	1

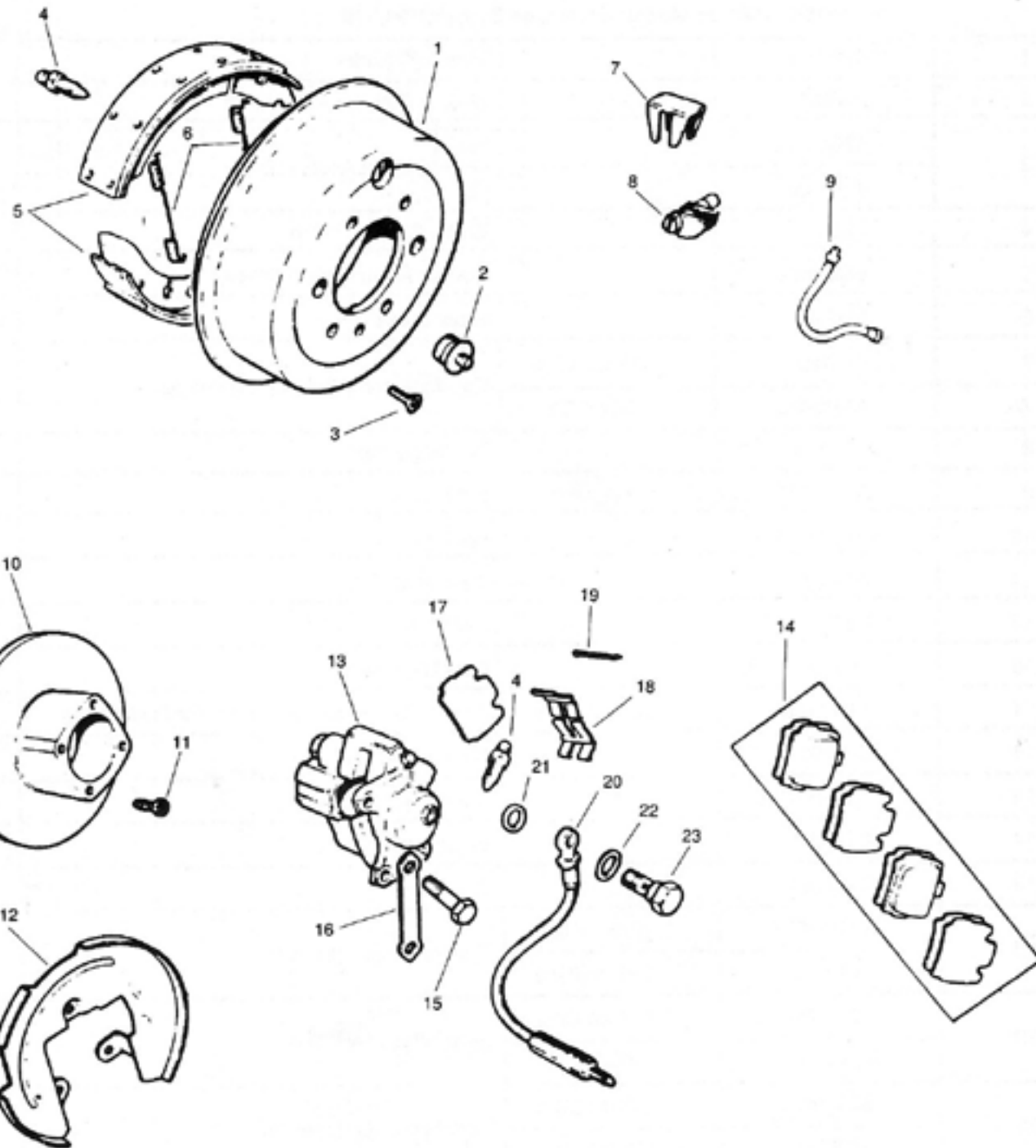
*AHA5326 also fits clutch pedal.

Note: If no year or model is mentioned in the description part number fits both 1275cc and 1500cc Midgets.

BRAKES

MIDGET

FRONT BRAKES-ROTORS, DRUMS & COMPONENTS



BRAKES

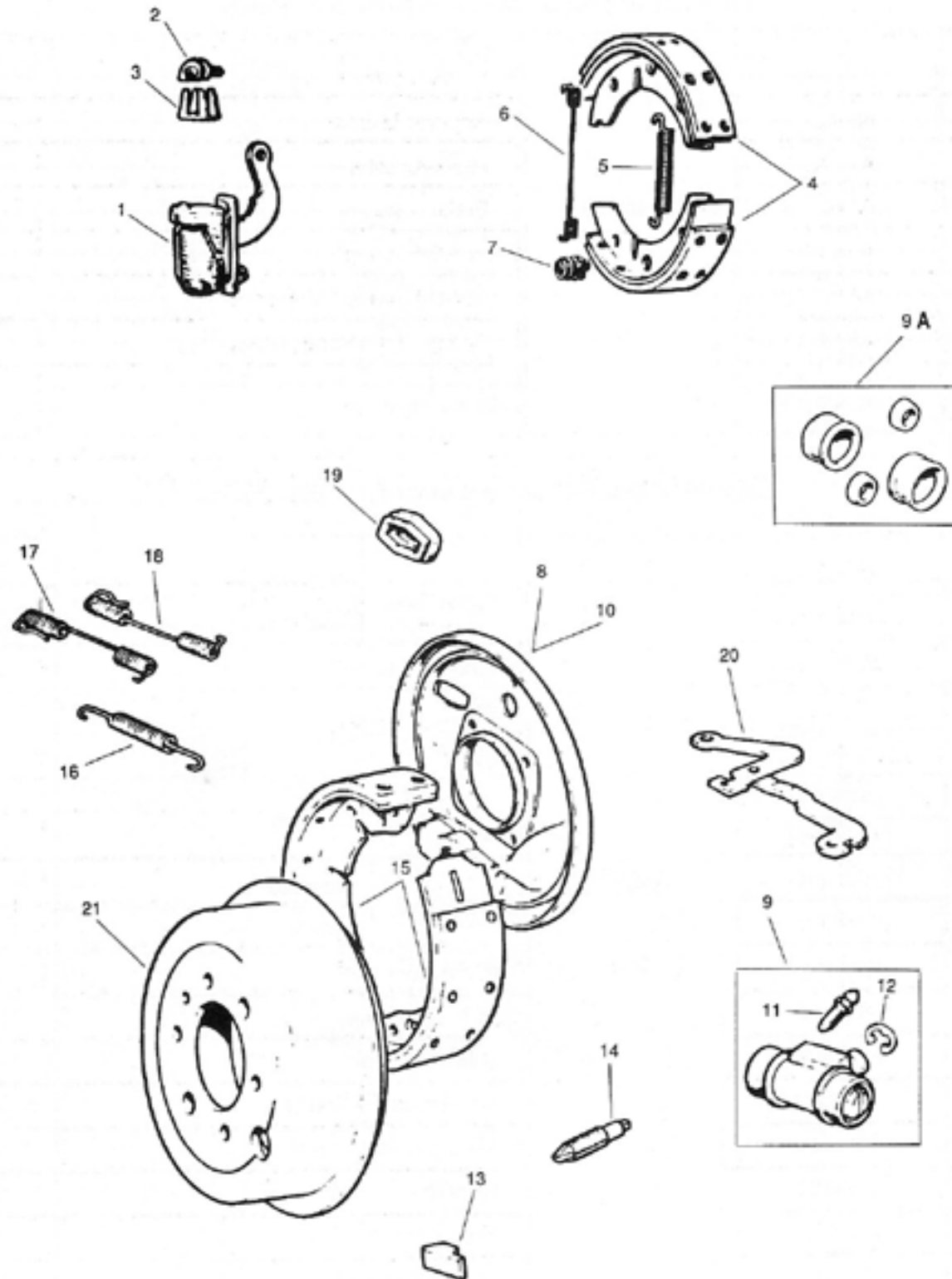
MIDGET

FRONT BRAKES-ROTORS, DRUMS & COMPONENTS

Ill No.	Part No.	Model/Year & Description	Qty.		
Front Brakes-Midget 948 cc with Front Drum Brakes					
1	---	1962-63	Brake Drum-Front	2	
2	2A7228		Plug	2	
3	SF604061		Screw	4	
4	3H2428		Bleed Screw	2	
5	BS44		Brake Shoes	1	
6	AAA4776		Pull-Off Spring	4	
7	AAA421		Adjuster-Mask	2	
8	17H7576		Adjuster-Micram	2	
9	KL100705L		Brake Hose	2	
Late 948 cc thru 1500 cc Front Brakes with Disc Brakes					
10	08-1633-10	1963-79	Brake Rotor	Wire Wheels	2
	08-1509-10			Steel Wheels	
11	BTA370		Bolt-Rotor to Hub	8	
12	BTA472		RH	Dust Cover	1
	BTA473				
13	4264-083		RH	Caliper Assembly	1
	4264-084				
14	CS416S		Brake Pads	Standard	1
	CS416M			Metallic	
15	BTA789		Bolt-Caliper	4	
16	BTC114		Lock Tab-Caliper	2	
17	17H2460		Shim-Anti Squeal	4	
18	17H7963		Pad Retainer-(Set of 2)	1	
19	GBK1010		Pin-Brake Pad-(Set of 4)	1	
20	GHP505		Front Brake Hose	2	
21	233220		Copper Washer-Small	2	
22	3H550		Copper Washer-Large	2	
23	C5192		Banjo Bolt	2	

BRAKES

MIDGET REAR BRAKES-DRUMS & COMPONENTS



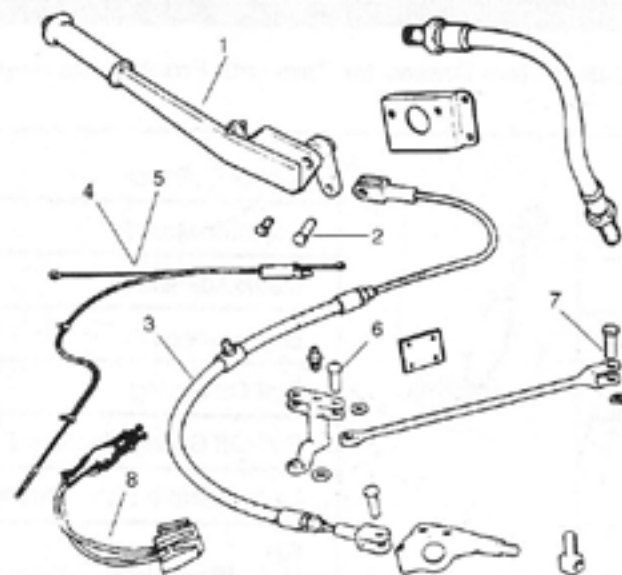
BRAKES

MIDGET REAR BRAKES-DRUMS & COMPONENTS

Ill No.	Part No.	Model Year & Description	Qty		
948 cc Rear Brakes for Cars with Front Brake Drums					
1	4241-933	1962-63	Wheel Cylinder	2	
2	68648		Adjuster-Micram	2	
3	AAA421		Mask-Adjuster	2	
4	BS46		Brake Shoes	1	
5	AAA4777		Pull-Off Spring	2	
6	AAA4778		Pull-Off Spring-Cylinder End	2	
7	AAA4714		Spring-Brake Shoe Steady	4	
8	BTA466 BTA467		RH LH	Backplate	1
Late 948 cc thru 1500 Rear Brakes for Cars with Front Brake Rotors					
9	4241-396 4241-193	1963-74 10/74-79	Wheel Cylinder	2	
9A	SSB547	1963-79	Wheel Cylinder Repair Kit	2	
10	BTA566 BTA567 37H8804 37H8805	1963-79	RH LH RH LH	Backplate	1
11	513118		Bleed Screw	2	
12	17H7949		Circlip	2	
13	17H7618		Tappet	2	
14	17H7619		Adjuster Wedge	2	
15	BS88		Brake Shoes	1	
16	17H7621		Pull-Off Spring-Adjuster End	2	
17	17H7947		RH	Pull-Off Spring	1
18	17H7948		LH		
19	17H7612		Lever Boot	2	
20	17H2824 17H2825		RH LH	Handbrake Lever	1
21	2A7168		Brake Drum	2	

BRAKES

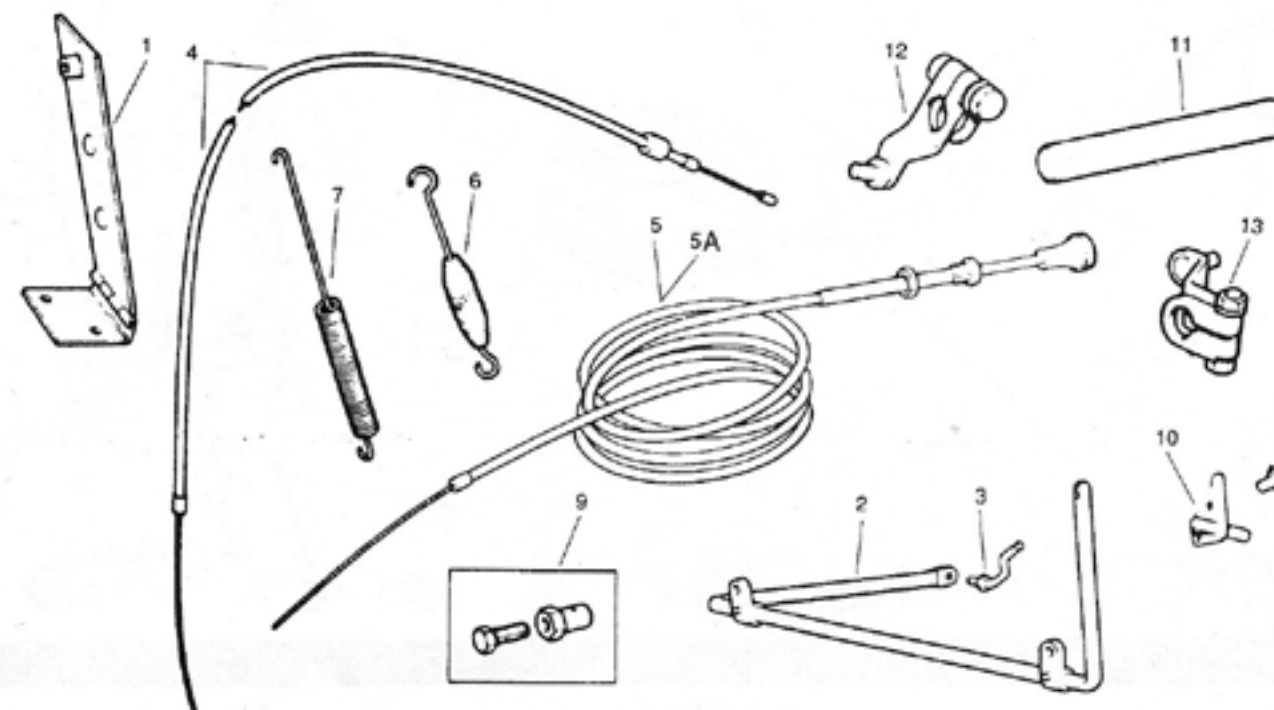
MIDGET HANDBRAKE



Ill No.	Part No.	Description	Qty.
1	CHA567	Handbrake Lever	1
2	CLZ515	Clevis Pin	1
3	2A7308	Steel Wheel 948, 1098, 1275, & 1500 Models to c#182000 (Wire Wheels)	1
4	CHA634	Cable Wire Wheels 1500 Models from c#182001 (1976 1/2)	
5	CHA638	Cable Steel Wheels 1500 Models from c#182001	
6	CLZ314	Clevis Pin	2
7	2K6930	Clevis Pin	2
8	AAU2492	Handbrake Switch-c#212001 on	1

CABLES

MIDGET CABLES-CHOKE & ACCELERATOR & VARIOUS COMPONENTS

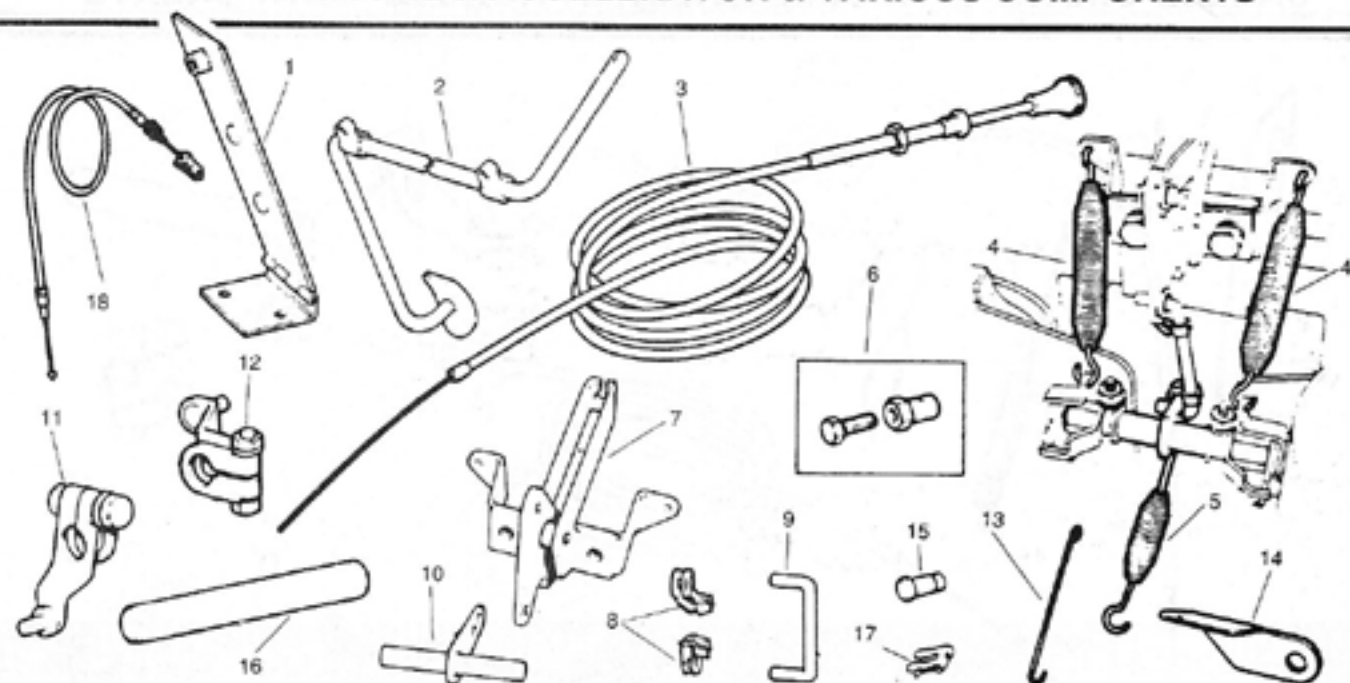


Ill No.	Part No.	Description	Qty.
1098 & 1275 Models			
1	AHA6256	Accelerator Pedal	1
2	2A2027	Accelerator Pedal Lever	1
3	AHA6255	Link	1
4	AHA5746	Accelerator Cable	1
5	AHA7748	Choke Cable (Star Pattern) all 1098 Models some 1275 Models	1
5A	CHA288	Choke Cable 1275 Models Only	1
6	AEC2075	Carburettor Return Springs	2
7	AEA602	Accelerator Return Spring	1
8	ACC5062	Accelerator Pin	1
9	AUE34	Choke Cable Stop	1
10	AEA597	Accelerator Lever	1
11	AUC1457	Choke Rod	1
12	AUE586	Front Lever	2
13	AUE587	Rear Lever	2

CABLES

MIDGET

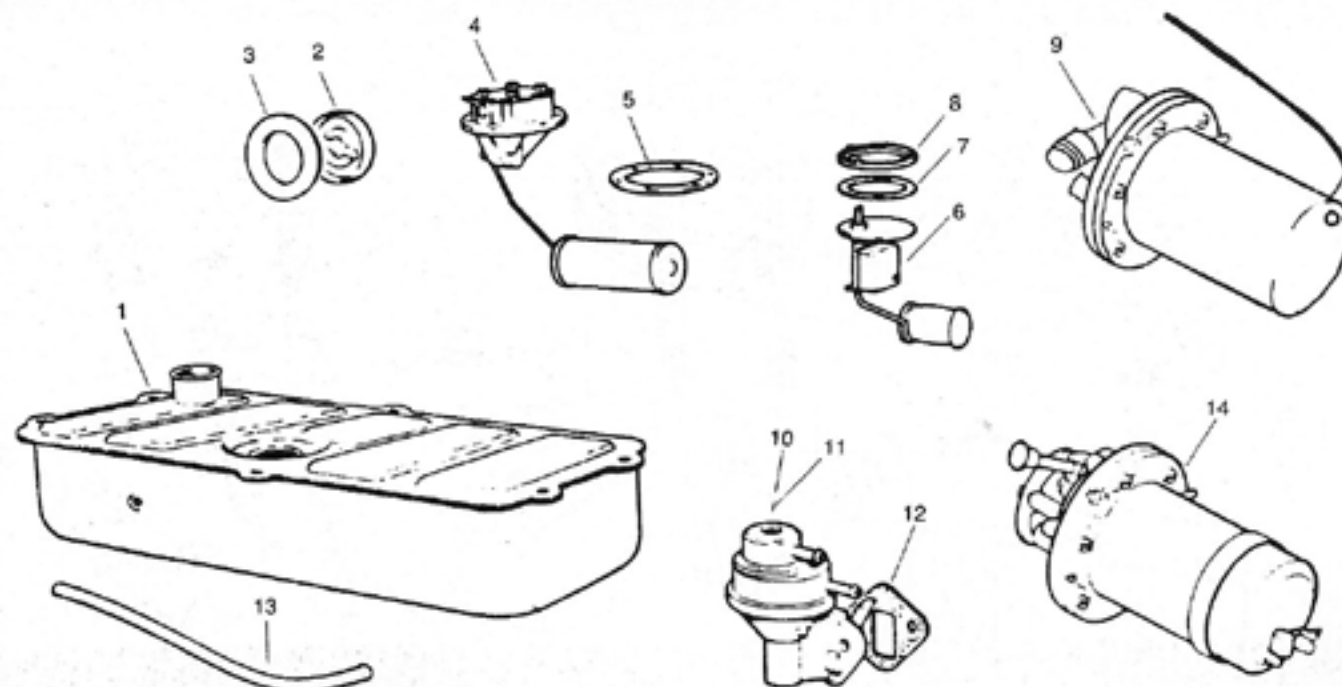
CABLES-CHOKE & ACCELERATOR & VARIOUS COMPONENTS



Ill No.	Part No.	Description	Qty.	
1500 Models				
1	AHA6256	Accelerator Pedal (Early 1500 Models)	1	
2	CHA494	Accelerator Pedal (All Other 1500 Models)	1	
3	CHA288	Choke Cable	1	
4	88-145197	Carburettor Return Springs	2	
5	88-153959	Accelerator Return Spring	1	
6	AUE34	Choke Cable Stop	1	
7	UKC5374	Accelerator Linkage	1	
8	88-153957	Clip	2	
9	UKC3272	Clip	1	
10	UKC3009	Connecting Rod	1	
11	AUE586	Front Lever	1	
12	AUE587	Rear Lever	1	
13	88-143747	Accelerator Link	1	
14	UKC3281	Bracket	1	
15	BHA5357	Accelerator Cable Stop Pin	1	
16	BHA5358	Clip for Above	1	
17	AUC1457	Choke Rod	1	
18	CHA405	Accelerator Cable	1975-76	1
	CHA689		1977 On	

FUEL SYSTEM

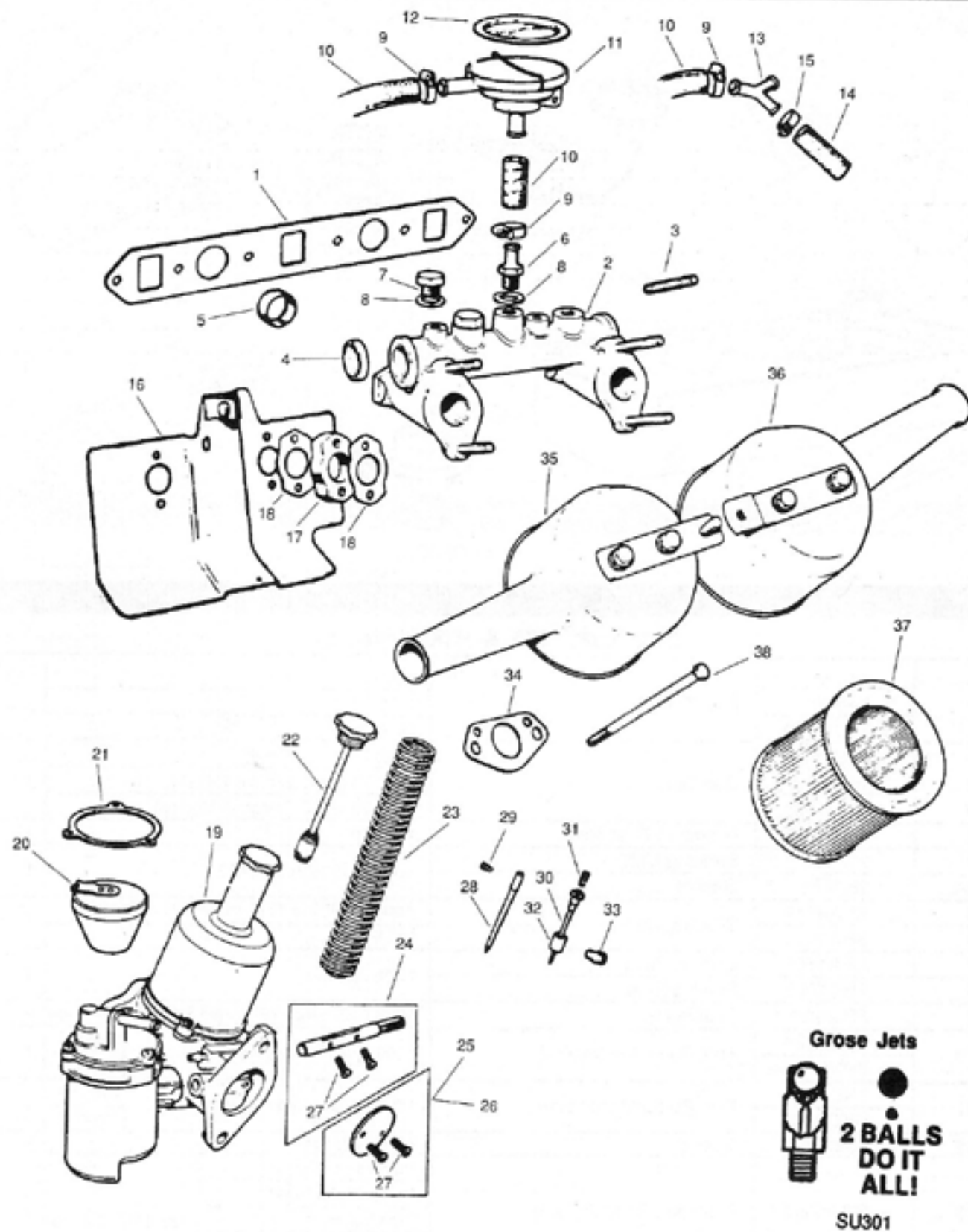
FUEL TANK, FUEL PUMP, HOSES & VARIOUS COMPONENTS



Ill No.	Part No.	Description	Qty.
948, 1098, 1275, & 1500cc Models			
1	NRP9	Fuel Tank	1962-72
	NRP8*		1972-761/2
	NRP1199		19761/2-79
2	18G8601	Gas Cap	1962-70
	GZC1376		1970-79 (not California 1500 Models)
	BHH1663		1975-79 (1500 California Models)
3	AHA5445	Grommet Filler Neck	1962-70
4	21A168	Sending Unit	Approx. 1966 to c#60459
4A	2H1082	Gasket	
5	BHA4711	Sending Unit	Approx. 1966 to 1971 c#60459 to 105500
6	BRA960	Sending Unit	1971-79
7	ARA1501	Locking Ring	1971-79
8	ARA1502	Sealing Ring	
9	FP502E*	Fuel Pump	1098 & 1275 thru 1974 Solid State Replacement
10	RKC1624	Fuel Pump Mechanical	1500 thru 1977 does not use spacer
	FP74		Original
11	TKC3418	Fuel Pump Mechanical	1500 1978 on uses spacer block
	UKC8523		Original
12	138791	Gasket	All 1500 Models
13	37H4760M	Fuel Line-(Sold in Feet)	Pump Inlet (61/2")
			Pump Outlet (93/4")
			Pipe to Carb (111/2")
			Filter to Carb (71/2")
			All 1098 & 1275
14	AUF214*	Original Electric Fuel Pump	Fits 1098 & 1275 thru 1974

FUEL SYSTEM

MIDGET INTAKE MANIFOLDS, CARBURETORS & COMPONENTS



FUEL SYSTEM

MIDGET INTAKE MANIFOLDS, CARBURETORS & COMPONENTS

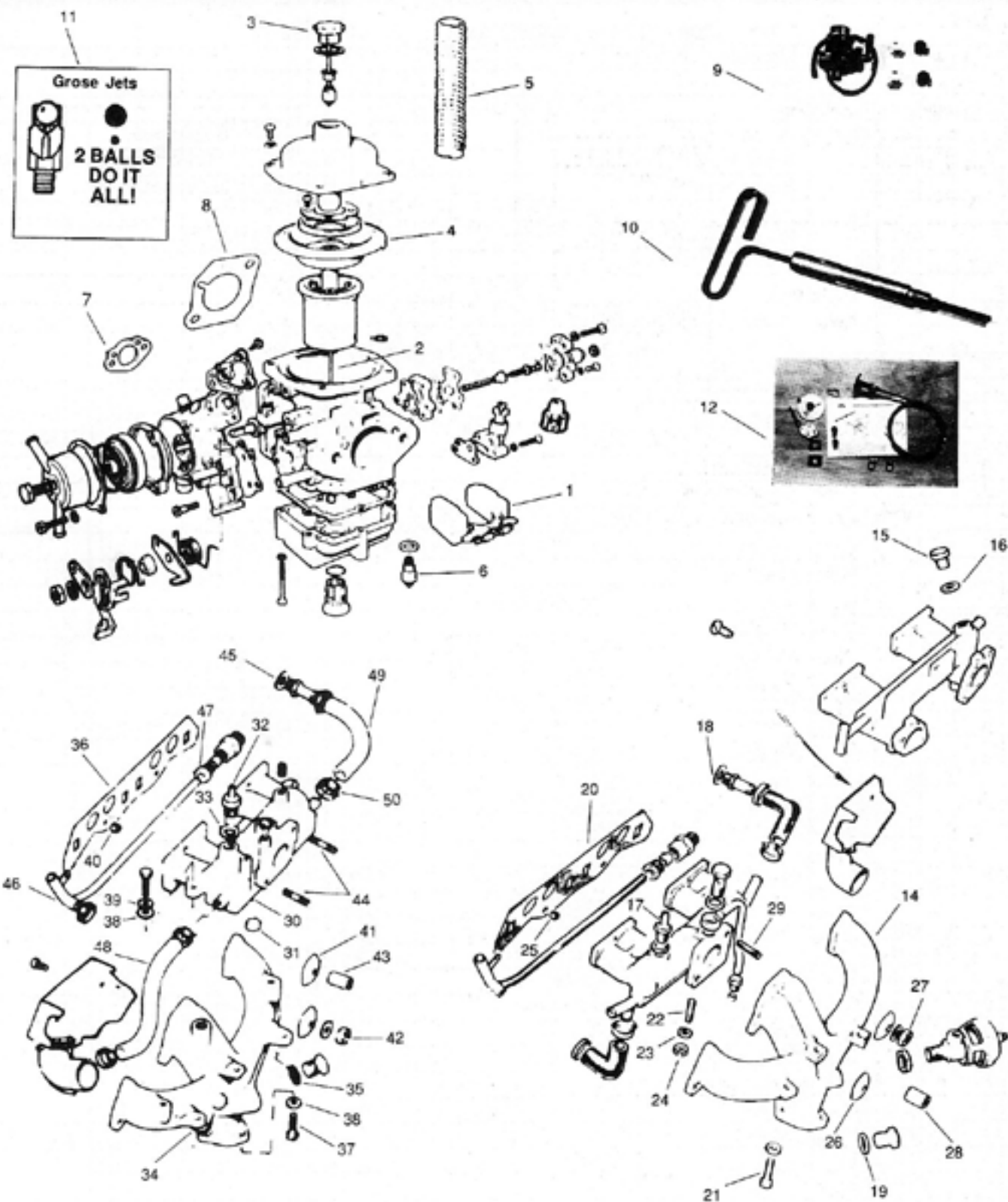
Ill No.	Part No.	Description	Change Points	Remarks	Qty.
948, 1098, 1275cc Models (MK I, II, III) 1962-74					
1	GEG601	Manifold Gasket			1
2	12G1450	Manifold-1 1/4"			1
3	CHS2620	Stud	Manifold to Carburettor		4
4	2K8159	Welch Plug	Dished-Type	fitted up to 9CG DAH3169	2
	AEA635	Welch Plug	Cup-Type	fitted from 9CG DAH3170 on	
5	12G297	Ring-Locating		fitted from 10CG DAH18628 on	
6	12H1405	Adaptor	Use w/ 13H5191 Em. Valve		1
7	ADP210	Plug-Screwed	Use on 9CG, 10CG & w/12G2134 "Y" Piece		1
8	1B3664	Washer			1
9	GHC507	Clip			A/R
10	37H7085M	Breather Hose	Sold in Feet		A/R
11	13H5191	Valve Assy.	10CC, 12CC Models-Emmission Control		1
12	27H7758	Diaphragm			
13	12G2134	"Y" Piece			1
14	12G2126	Hose to Carbs	12CE/12V Models		A/R
15	ACH5854	Clip			1
16	12G1460	Heatshield			2
17	AEA586	Spacer Block			6
18	1G2624	Gasket	Manifold to Carburettor		1
19	AUD404	Carburettor	1 1/4" HS2 (Pair) Biased Needle-fits all HS2 Applications		2
20	GSU200	Float			2
21	GSU550	Gasket	Float Chamber		2
22	GSU322	Damper			2
23	AUC4587	Spring	Dashpot Piston-Blue		2
24	WZX1310	Throttle Kit	Throttle Spindle Kit		2
25	WZX1320	Disc	Throttle Disc Kit	948, 1098, Early 1275	2
26	WZX1380	Disc	Throttle Disc Kit	Late 1275 "w/Poppet" Valve	2
27	AUC1358	Screw	Throttle Disc Screws		4
28	AUD1410	Needle	Rich-V2	948cc w/HS2 Carbs	2
	AUD1411		Standard-V3		
	AUD1227		Weak-GX		
	AUD1261		Rich-M		
	AUD1468		Standard-GY	10CG Models	
	AUD1211		Weak-GG		
	AUD1242		Rich-H6	10CC, CG Models	
	AUD1478		Standard-AN		
AUD1211	Weak-GG				
29	AUC2057	Screw	Needle Locking	fits Needles Above	2
30	CUD1002	Needle	AAC		2
31	AUD3306	Spring	Needle Bias	12CE/12V Models	
32	AUD4288	Guide			
33	AUD4250	Screw	Needle Locking		2
34	ACA8014	Gasket	Carb to Filter		1
35	AHA8419	Filter Assy.	Front		1
36	AHA8420		Rear		
37	GFE1004	Filter			2
38	BH505361	Bolt-Air Filter			4

FUEL SYSTEM

MIDGET

INTAKE MANIFOLDS, CARBURETORS & COMPONENTS

Zenith-Stromberg 150CD4T 1500cc Models 1975-79



FUEL SYSTEM

MIDGET

INTAKE MANIFOLDS, CARBURETORS & COMPONENTS

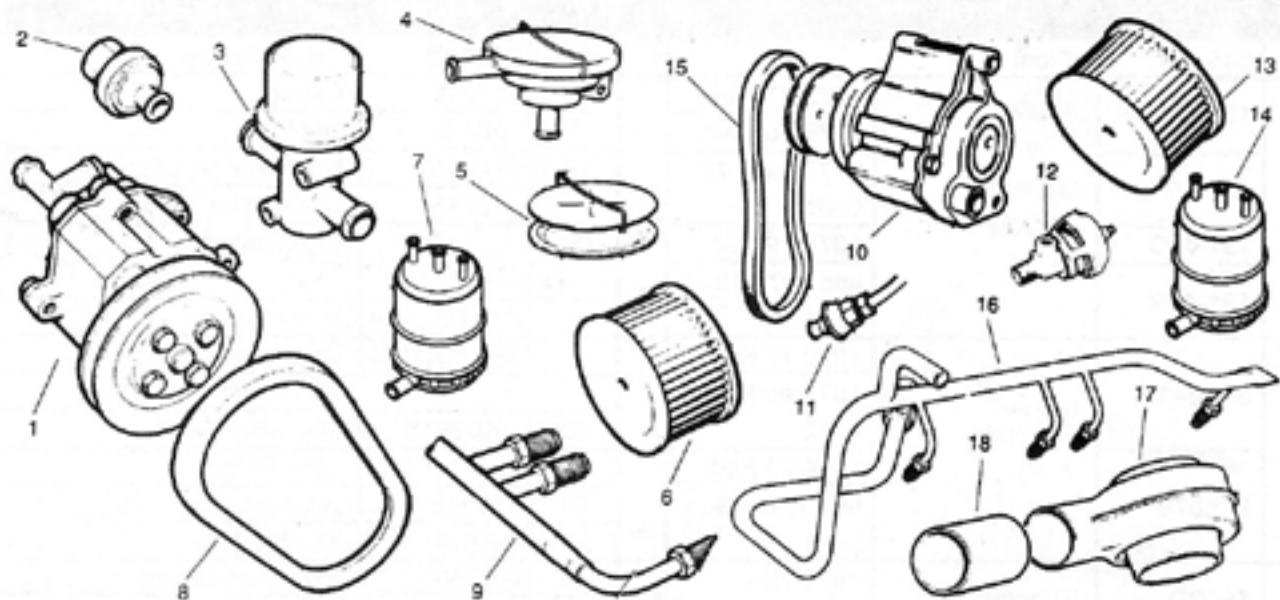
Zenith-Stromberg 150CD4T 1500 cc Models 1975-79

Ill No.	Part No.	Description	Qty.	Ill No.	Part No.	Description	Qty.	
1	B19470	Float	1	25	DS2512	Dowel-Spring	2	
2	131-44A	Metering Needle	1	26	137845	Clamp	2	
	131-45K			1975-77 Fed.	27	100498	Nut	6
	131-45Q			1975-76 Calif.	28	CHA360	Nut-Manifold Clamping	2
	131-45R			1977-early 78 Calif.	29	105745	Carburettor Stud	4
3	B20043	Damper Assy.	1	29	129383	Carburettor Stud to 1977	2	
	B26078			1978-79 Fed.	---	See Page 94	Head Set	1
4	150CD	Diaphragm	1	---	See Page 94	Conversion Set	1	
				1975-77 Fed.	1977 on			
5	B18274	Piston Return Spring	1	30	UKC7916	Inlet Manifold	1	
	B24008	Float Chamber Needle & Seat	1	31	154053	Core Plug	1	
6	131-8010F	Alternative part-Grose Jet # EZ401	1	32	159942	Adaptor Calif.	1	
				33	WF513	Washer (Fibre)	1	
7	UKC490	Gasket-Carburettor to Inlet Manifold	1	34	RKC5011	Exhaust Manifold	1	
8	102488	Gasket-Carburettor to Air Cleaner Housing	1	35	AEC699	Washer-Plug	1	
9	0003	Anti-Backfire Kit*	1	36	GEG648	Manifold to Head Gasket	1	
10	0006	Stromberg Carb. Needle Adjusting Tool	1	37	BH505131	Bolt-Inlet to Exhaust Manifold	2	
11	EZ401	Gross-Jet**	1	38	GHF301	Washer-Bolt	2	
12	0011	Manual Choke Conversion Kit***	1	39	GHF332	Lock Washer	2	
--	ZE14K	Carburettor Kit ****	1	40	DS2512	Dowel-Spring	2	
1975-77				41	137845	Clamp-Inner	2	
14	CHA256	Exhaust Manifold	1	42	100498	Nut-Clamp	6	
15	122132	Blanking Plug	1	43	CHA360	Nut-Clamp	2	
16	WF513	Washer-Plug (Fibre)	1	44	129383	Stud-Carburettor	2	
17	159942	Adaptor to 1977	1	45	WF524	Washer-Adaptor	1	
18	WF524	Washer (Fibre)	1	46	212935	Pipe-Waterpump to Inlet Manifold Rear	1	
19	AEC699	Sealing Washer	1	47	101302	Nut-Tube	1	
20	GEG648	Manifold to Head Gasket	1	48	149699	Hose-Manifold to Pipe Adaptor	1	
21	BH505131	Bolt-Inlet to Exhaust Manifold	2	49	UKC7375	Hose-Waterpump to Manifold	1	
22	TE505111	Stud-Inlet to Exhaust Manifold to 1977	1	50	GHC507	Clip-Hose	4	
23	GHF332	Lock Washer	1	*This easily installed kit (10 minutes) eliminates backfire completely, retaining a clean exhaust. Gets rid of costly, unreliable gulp valves, and ensures a longer life for your exhaust system. **Two balls replace old style needle & seat. Never needs replacement. ***This well engineered kit enables you to replace your Zenith-Stromberg automatic choke with a manual control from the dash. Puts you back in charge and makes starting easier. ****Includes all gaskets, seals, 'O' rings, diaphragm, and float chamber needle & seat.				
24	GHF201	Nut	1					

EMMISSION CONTROL

MIDGET

AIR PUMP, EGR, GULP, CHECK VALVES ECT.



Ill No.	Part No.	Description	Qty.
1098 and 1275cc Models			
1	13H4322	Air Pump	1275cc
2	13H4358	Check Valve	1275cc
3	13H6189	Gulp Valve	1275cc
4	13H5191	P.C.V. Valve	1098 & 1275cc
5	27H7758	Diaphragm for P.C.V. Valve	1098 & 1275cc
6	F9120	Emissions Filter	1275cc
7	13H8155	Carbon Cannister*	1275cc
8	13H4705	Air Pump Belt	1275cc
9	12G2370	Air Injection Pipe	1275cc
1500cc Models			
10	RKC698	Air Pump	to 1977
	RKC3137		1977 on
11	UKC2643	Check Valve	1
12	TKC1470	EGR Valve	to 1977
	TKC3306		1977 on Federal Cars Only
	TKC3523		1977 on California Cars Only
13	F9120	Emissions Filter	1
14	13H8511	Carbon Cannister	to 1976
	FAM1388		1977 on
15	TKC1615	Air Pump Belt	1
16	PKC506	Air Injection Pipe	1
17	BHH1163	Temperature Compensator	1
18	CHA379	Hose Connector	1

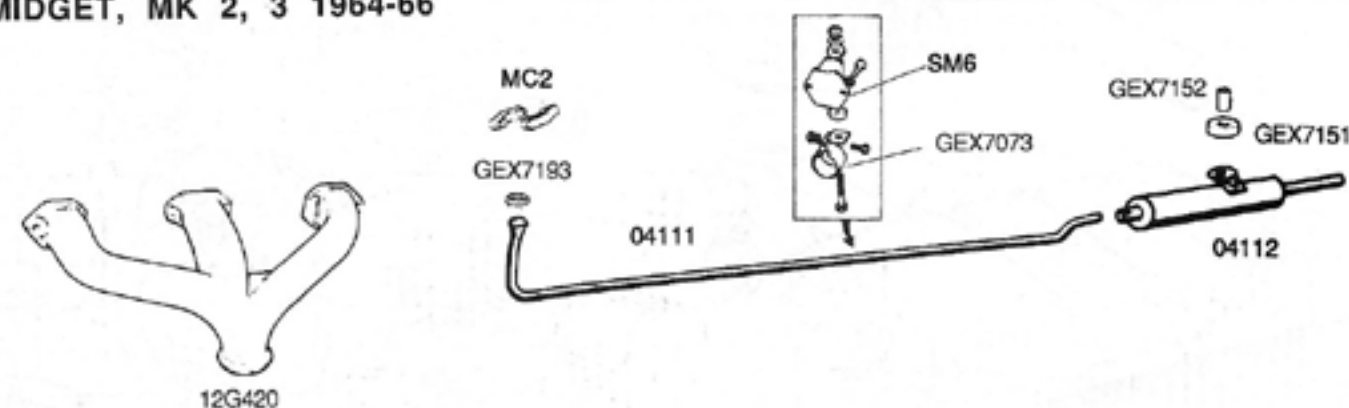
*Early Cannisters have been discontinued. They have been supercoded to the later 1500cc model type cannisters with 3 connectors. Use just the two outside connectors and seal the unused one.

EXHAUST

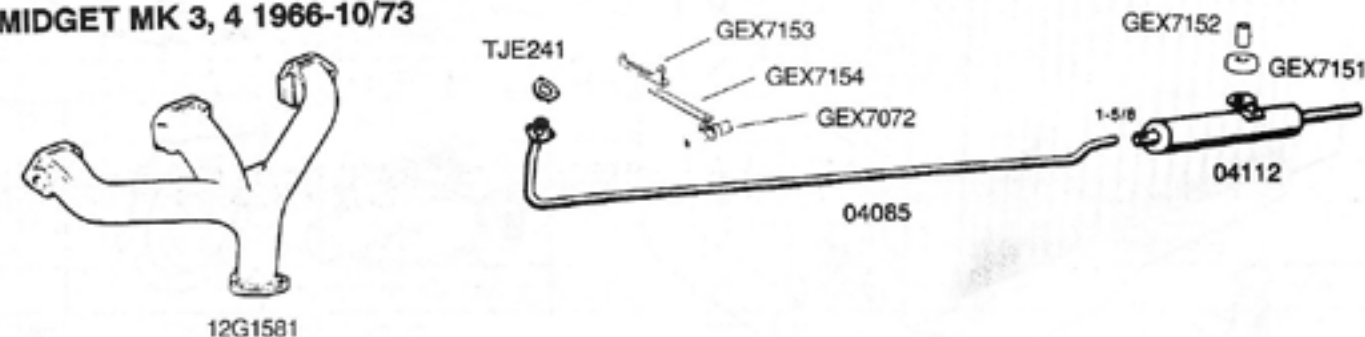
MIDGET

EXHAUST SYSTEMS, MOUNTS, & MANIFOLDS

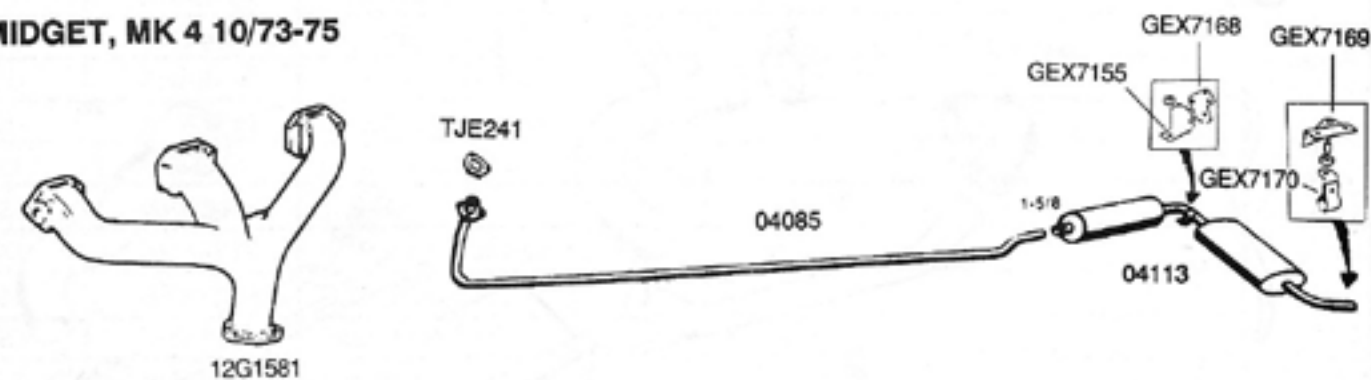
MIDGET, MK 2, 3 1964-66



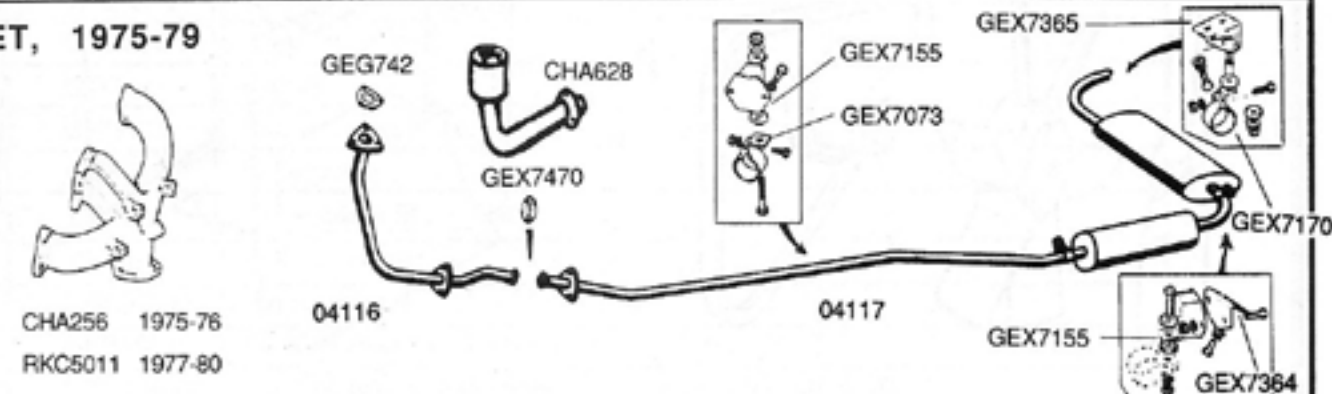
MIDGET MK 3, 4 1966-10/73



MIDGET, MK 4 10/73-75



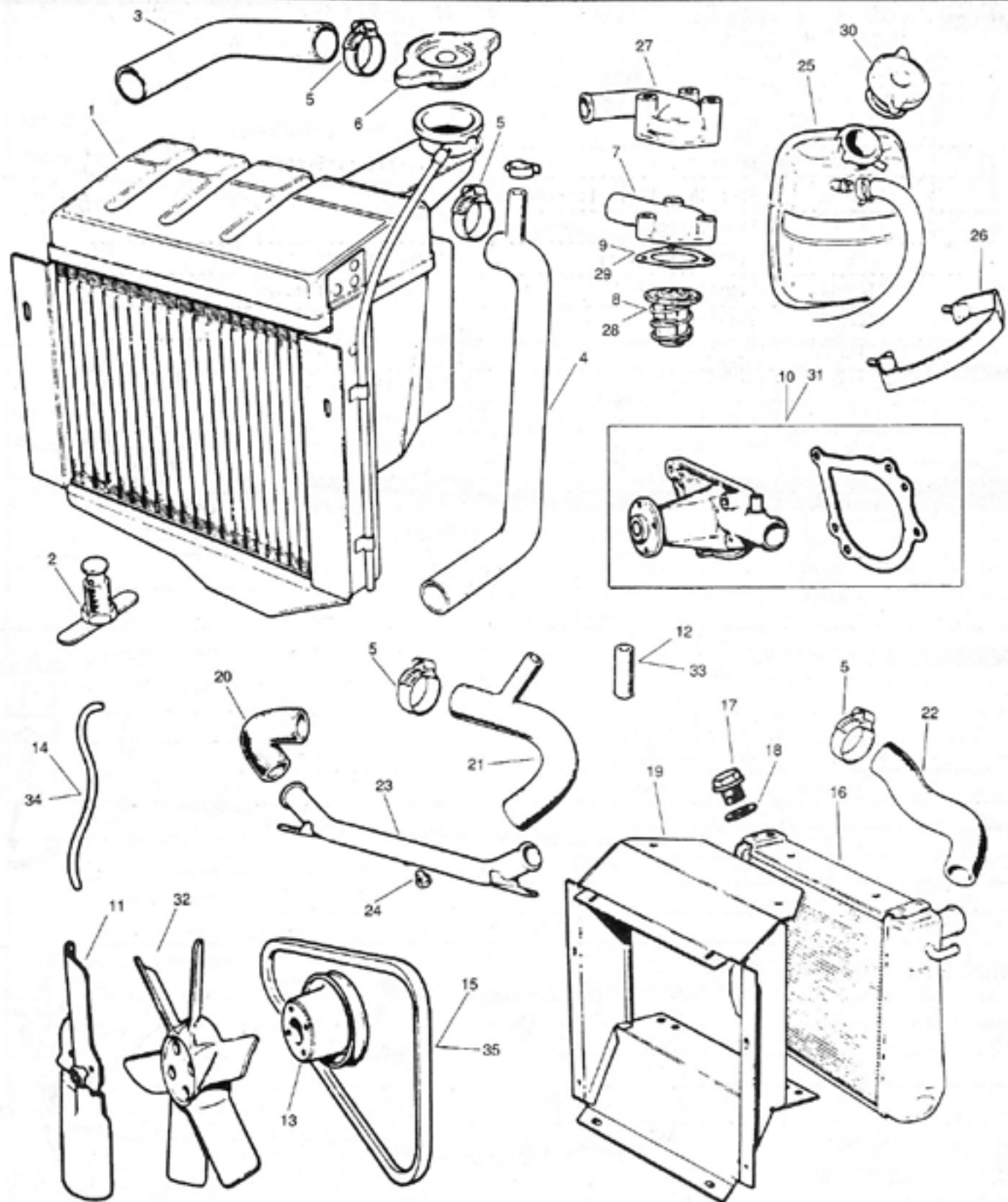
MIDGET, 1975-79



COOLING SYSTEM

MIDGET

RADIATORS, HOSES, FAN BELTS, WATERPUMPS, ECT.



COOLING SYSTEM

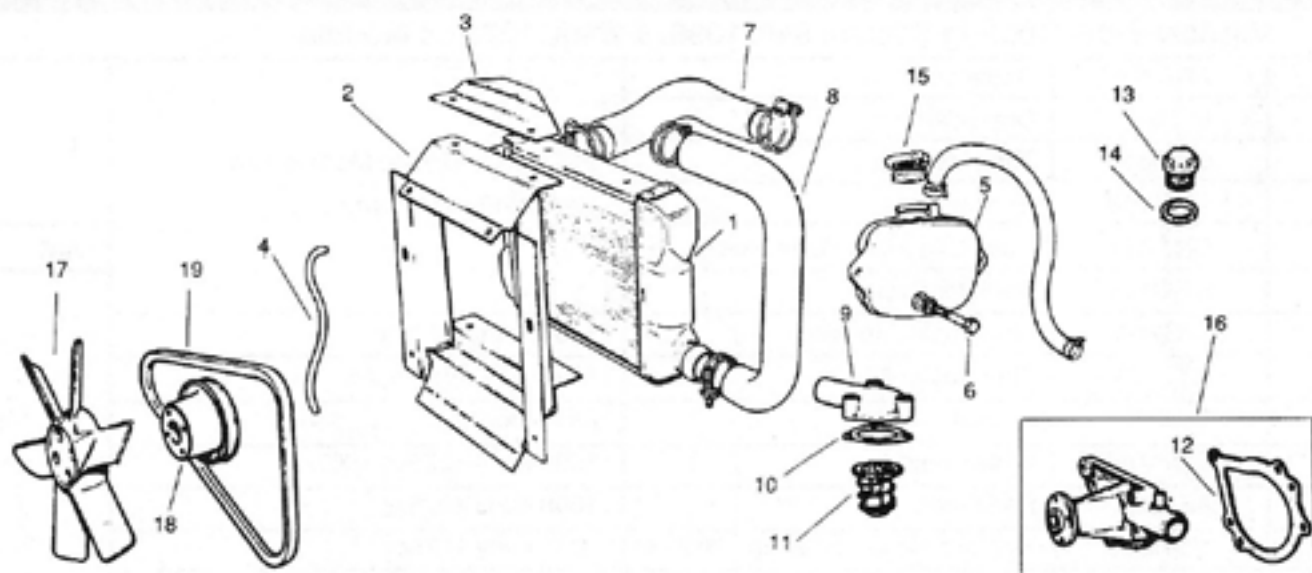
RADIATORS, HOSES, FAN BELTS, WATERPUMPS, ECT.

Ill No.	Part No.	Description	Qty.	
Vertical-Flow Cooling System 948, 1098, & Early 1275 cc Models				
1	ARA241E	Radiator	948, 1098, 1275cc Models with Vertical-Flow Systems	
2	88G291	Drain Tap		
3	GRH313	Top Hose		
4	GRH508	Bottom Hose		
5	GHC811	Hose Clip-All Radiator Hoses		
6	GRC101	Radiator Cap		
7	12G243	Thermostat Housing	1098 early 1275cc	
8	GTS104	Thermostat 82°C	Also see Page 54, 55	
9	GTG101	Gasket	All Models	
10	QCP3709E	Waterpump	1098 early 1275cc 1967-74	
11	AEA301	Fan Blade	1098 early 1275cc	
12	12A1093	By-Pass Hose	Clamp 3H2963	1098 early 1275cc
13	CAM6239	Fan Pulley	1098 early 1275cc	
14	GRH1001	Overflow Tube	1098 early 1275cc	
15	GFB10900	Fan Belt	948cc Models (900 mm diameter)	
	GFB10863		1098 early 1275cc (863 mm diameter)	
Cross-Flow Cooling System Late 1275 cc Models				
16	ARA318E	Radiator	1	
17	ARA2404	Filler Plug		
18	TRS1418	"O" Ring		
19	AHA8732	Cowl-Radiator		
20	AHA8730	Bottom Corner Hose		
21	GRH510	Bottom Main Hose		
22	GRH509	Top Hose		
23	AHA8731	Radiator Cross Pipe		
24	ARA1618	Drain Plug		
25	ARH250	Expansion Tank		
26	AHA8739	Strap		
27	12G1902	Thermostat Housing		
28	GTS104	Thermostat 82°C		
29	GTG101	Gasket		
30	GRC101	Radiator Cap (7 lbs.)		Use FC53 for 15 lb. Cap
31	QCP3709E	Waterpump		
32	12G1597	Fan Blade 6-Blade Plastic		
33	12A1093	By-Pass Hose		
34	GRH1002M	Overflow Tube		
35	GFB10838	Fan Belt (838 mm diameter)		12V588 to 3192
	GFB10813	Fan Belt (813 mm diameter)		12V588 from 3193 on

COOLING SYSTEM

MIDGET

RADIATORS, HOSES, FAN BELTS, WATERPUMPS, ECT.



Ill No. Part No. Description Qty.

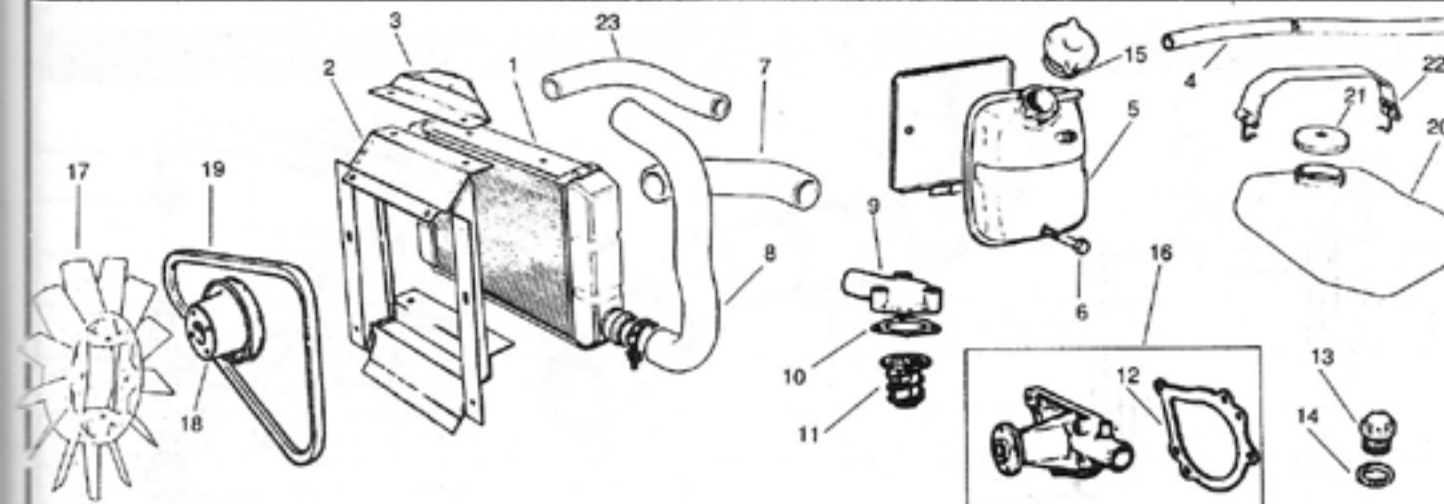
Cross-Flow Cooling System 1500cc Models To c# 166303

Ill No.	Part No.	Description	Qty.	
1	NRP1028	Radiator	1	
2	CHA281	Cowl	1	
3	CHA420	Fan Guard	1	
4	GRH1001M	Overflow Hose	A/R	
5	ARA326	Expansion Tank	1	
6	BH604201	Bolt-Expansion Tank	2	
7	GRH534	Lower Radiator Hose	1975-77 RH1236 1975-79	1
8	GRH525	Top Radiator Hose	1975-77	1
9	CHA595	Thermostat Housing		1
10	GTG103	Gasket		1
11	GTS104	Thermostat	82-C	1
	GTS106		88-C	
12	88-138702	Gasket	Waterpump Body to Head	1
13	ARA2634	Filler Plug		1
14	TRS1418	"O" Ring		1
15	GRC110	Cap-Expansion Tank		1
16	QCP971	Waterpump		1
17	RKC92	Fan Blade	13 Blade	1
18	T48C	Fan Clutch		1
19	GFB11088	Fan Belt		1

COOLING SYSTEM

MIDGET

RADIATORS, HOSES, FAN BELTS, WATERPUMPS, ECT.



Ill No. Part No. Description Qty.

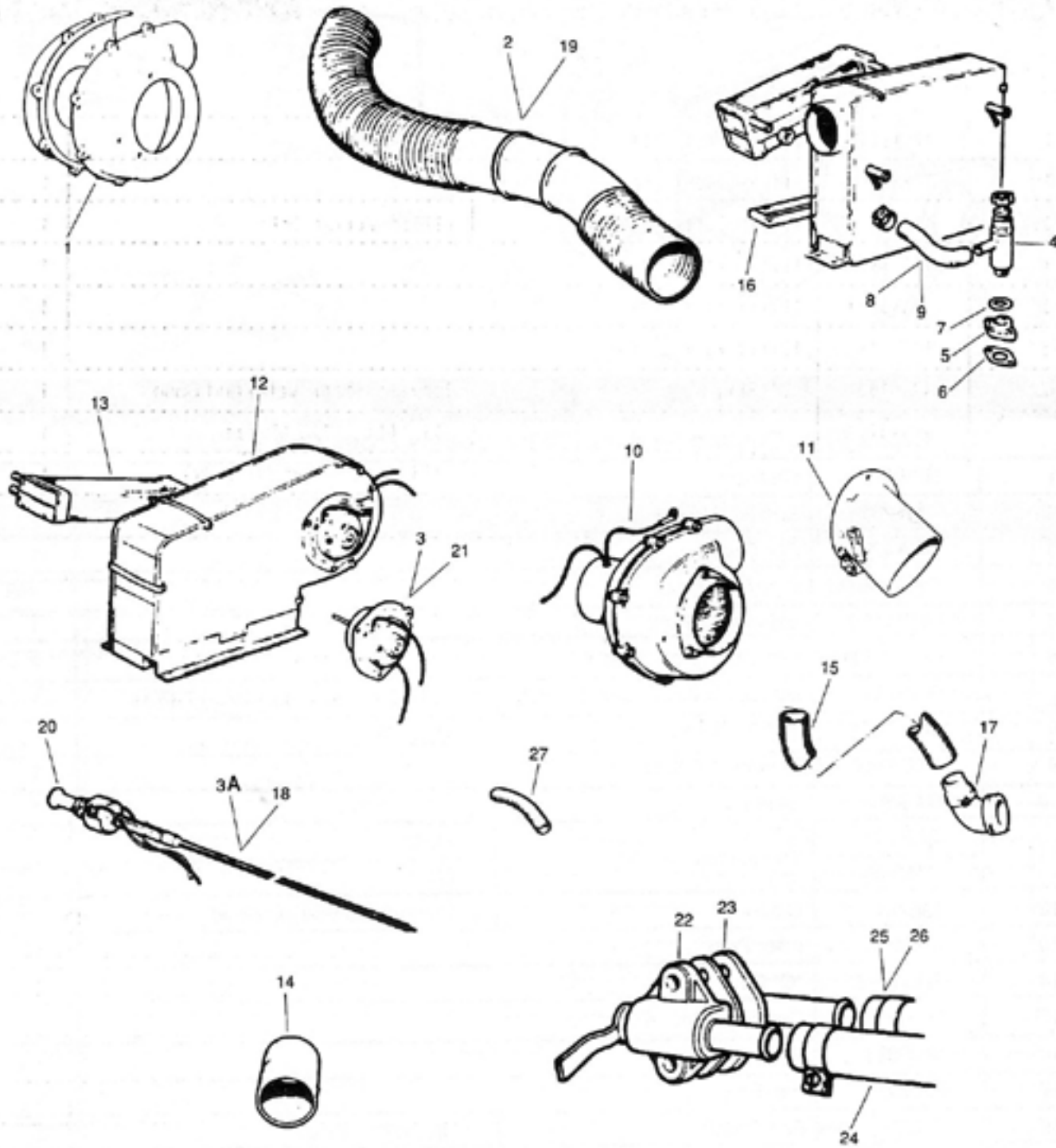
Cross-Flow Cooling System 1500cc Models From Ch# 166304 on

Ill No.	Part No.	Description	Qty.	
1	NRP1141	Radiator	1	
2	CHA281	Cowl	1	
3	CHA420	Fan Guard	1	
4	GRH1001M	Overflow Hose	A/R	
5	URP1159	Expansion Tank	1	
6	BH604201	Bolt-Expansion Tank	2	
7	GRH623	Bottom Radiator Hose (10 1/2")	1977-79 RH1236 1975-77 (8")	1
8	GRH525	Top Radiator Hose	1977-79	1
9	TKC5349	Thermostat Housing		1
10	GTG103	Gasket		1
11	GTS104	Thermostat	82-C	1
	GTS106		88-C	
12	138702	Gasket	Waterpump Body to Head	1
13	ARA2634	Filler Plug		1
14	TRS1418	"O" Ring		1
15	FC53	Cap-Expansion Tank		1
16	QCP971	Waterpump		1
17	RKC92	Fan Blade		1
18	T48C	Fan Clutch	UKC759 Bush	1
19	GFB11088	Fan Belt		1
20	GWW902	Spill Tank		1
21	CHA582	Spill Tank Cap		1
22	CHA485	Strap		1
23	GRH624	Hose-Outlet Elbow to Tank		1

HEATING SYSTEM

MIDGET

HEATER VALVES, HOSES AND VARIOUS COMPONENTS ECT.



HEATING SYSTEM

MIDGET

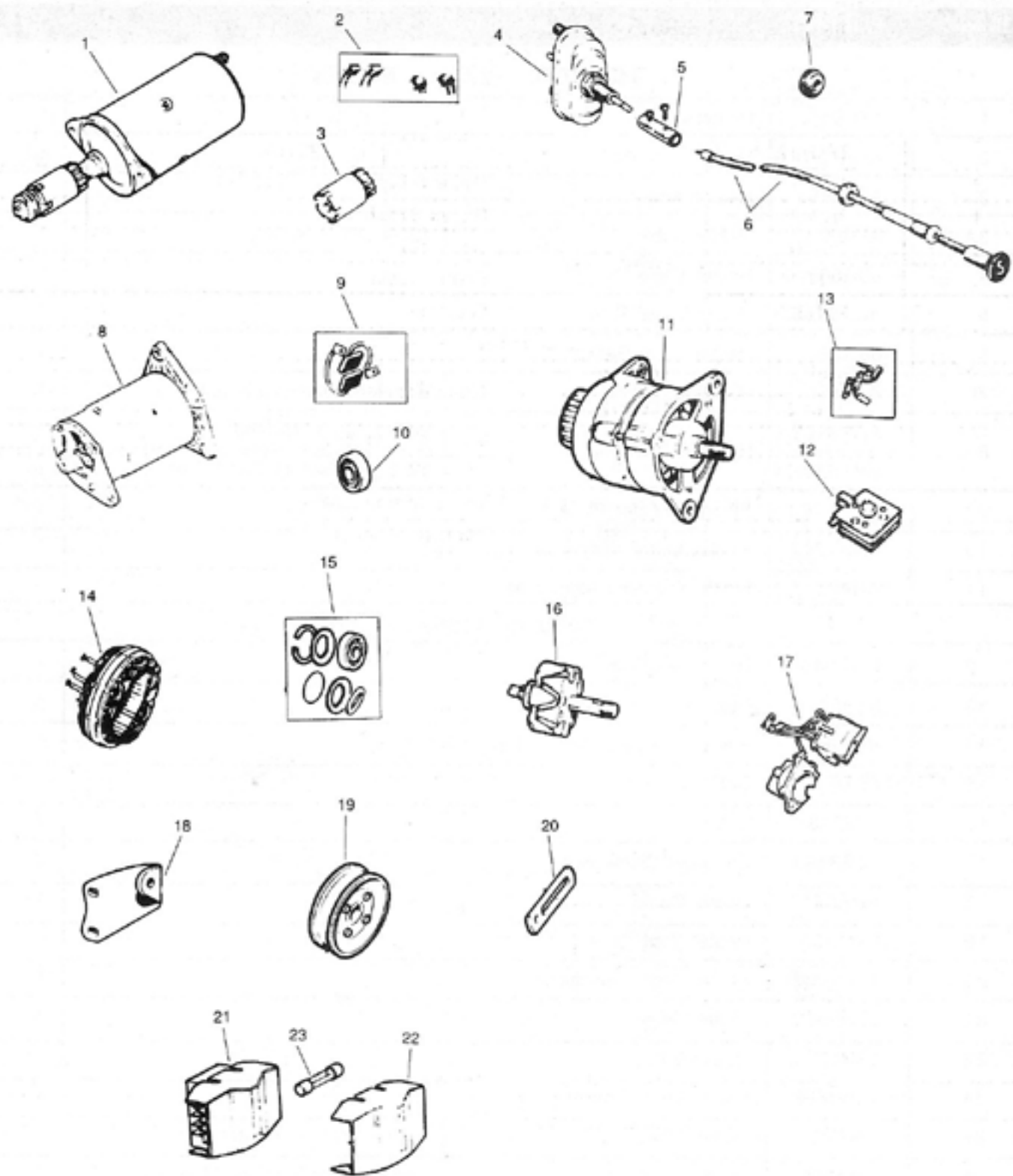
HEATER VALVES, HOSES & VARIOUS COMPONENTS ECT.

Ill No.	Part No.	Description	Qty.
948, 1098, 1275 cc Models			
1	17H819	Heater Case	1
2	AHA8501	Heater Vent Hose	1
3	37H6193	Heater Motor	1
3A	AHA8417	Heater Cable	1275cc Models Only 1
4	88G588	Heater Valve	1
5	ACA5456	Heater Valve Base	1
6	88G221	Heater Valve Gasket	1
7	AAA836	"O" Ring	Between Heater Valve and Base 1
8	AHA8782	Heater Valve Hose	948, 1098, 1275 Models 1
	AHA9782		1275 w/ Hoses on Same Side 1
9	GRH1003	Straight Heater Hose	1
10	BHA4745	Heater Motor Assy.	1
11	AHA8416	Fresh Air Intake Attachment	
1500 cc Models			
12	CHA345	Heater Assembly	1
13	37H8818	Heater Matrix (Radiator)	1
14	AHA8331	Heater to Heater Motor Hose	1
15	AHH8394	Defroster Hose	1
16	4B9713	Seal	1
17	14G3499	Defroster Elbow Hose	2
18	AHA8417	Heater Cable	1
19	CHA290	Heater Vent Hose	1
20	17H1602	Heater Knob, Illuminated	1
21	37H4583	Heater Motor	1
22	12H1293	Heater Valve	1
23	12H3868	Heater Valve Gasket	1
24	CHA351	Heater Hose	Heater Valve to Heater Box 1
25	CHA359	Heater Hose	Heater Valve to Intake Manifold 1
26	CHA805	Heater Hose	Heater Box to Waterpump 1
27	UKC5285	Hose-Thermo Housing to Intake Manifold--also W/P Pipe to Intake Manifold	2

ELECTRICAL

MIDGET

STARTERS, GENERATORS, ALTERNATORS & COMPONENTS



ELECTRICAL

MIDGET


STARTERS, GENERATORS, ALTERNATORS & COMPONENTS

Ill No.	Part No.	Year & Description	Qty	
Starter 1962-80				
1	S3512	1962-80	Starter-Rebuilt	
2	TAB128	---	Brush Set Motor #25079	
	TAB117		Motor #25149	
3	TLB111	---	Pinion & Barrel Motor #25149	
4	3H949	948cc Cars	Starter Switch	
5	3H950		Connector	
6	2A8085		Starter Cable	
7	RFN303		Grommet	
Generator				
8	G4014	1961-63	Generator-Rebuilt	
	G4012	1963-72		
9	UTB100	Gen. #22742	Bearing, Drive End	
10	USB104	227541	Brush Kit	
Alternator, Regulators and Related Components				
11	A1611	1972-80	Alternator-Rebuilt	
12	UCB110	---	Rectifier Alternator# 23716	
	UCB111		L23804	
13	ULB110	---	Brush Set 23716, L23804	
	ULB105			L24026
14	UHB105	---	Stator 23716, L23804	
	UHB104			L24026
15	UMB105	---	Bearing Kit, Drive End, All Alternators	
16	UDB101	---	Rotor Assy. 23716, L23804	
	UDB106			L24026
17	NCB101	1962-72	Regulator, for Cars w/ Generator	
	UCB100	1972-74		
	UCB104	1974-80		
18	12G1053	1275cc Cars	Alternator Bracket	
19	12G1054	---	Pulley Motor# 12V588 up to 3192	
	BAU1461			Motor# 12V588 from 3193, 12V778
	AEU1238			1500cc Cars
20	156464	1500ccCars	Adjusting Link	
Fuse Boxes				
21	54038068	1962-70	Fuse Box	
22	37552	1970-75		
	37420	1975-77		
23	37552	1977-80	Fuse-35 Amp	
	CFB135W25	1962-80		

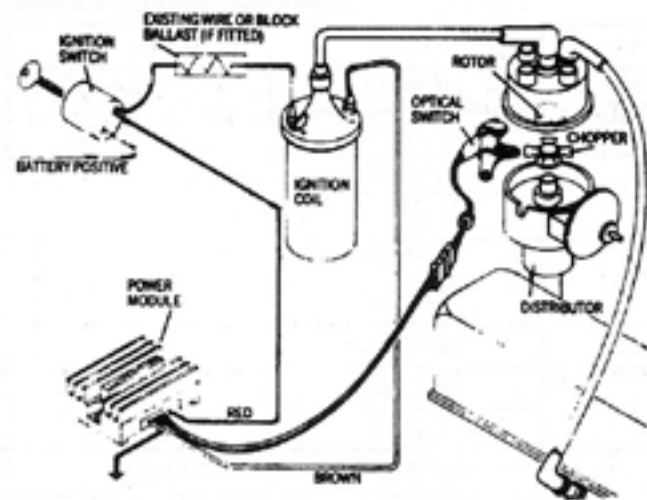
ELECTRICAL

MIDGET

MAIN WIRING HARNESSSES, CLIPS, GROMMETS & LUMINATION KITS

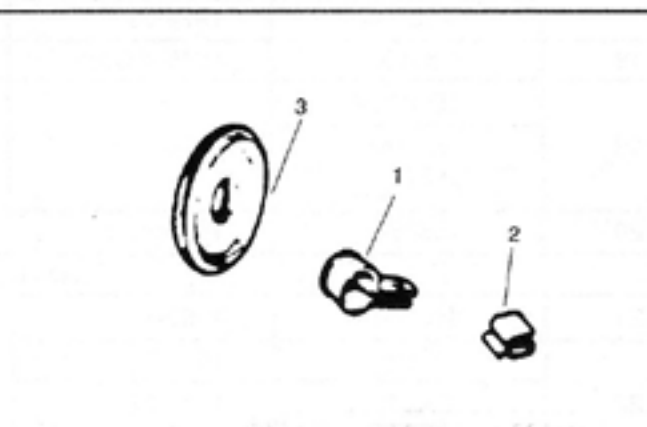
Part No.	Chassis #	Change Points	Illustrations
AHA8692	to GAN10-85286	Cars w/ Rocker Switches & 2 Blade System	 <p>Main Harnesses Include Body and Trunk.</p>
AHA8953	to GAN10-85287	Cars w/Rocker Switches & 3 Blade Wiper System	
AHA9611	GAN5-74886 to 89514		
AHA9730	GAN5-89515 to 105500		
AHA9922	GAN5-105501 to 112275		
AHA9962	GAN5-112276 to 123730		
CHA142	GAN5-123731 to 138000		
CHA213	GAN5-138001 to 154100		
CHA454	GAN6-154101 to 159053		
CHA524	GAN6-159054 to 166300		
CHA569	GAN6-166304 to 188000	Federal Cars	
	GAN6-166304 to 200000	Calif. Cars	
CHA697	GAN6-188001 to 200000	Federal Cars	
CHA793	GAN2000001 onward		
CHA787	GAN6-2000001 to 212000	Calif. Cars	
CHA816	GAN6-212001 onward	Calif. Cars	

Part No.	Description
PMA50	Power Module
FK116	Fitting Kit-Point Type Cars
FK109	Fitting Kit-Electronic Ignition Cars with Amplifier Attached to Distributor
FK121	Fitting Kit-Electronic Ignition Cars with Amplifier Detached from Distributor



When Lumenition Optronic Ignition is fitted to your car you will obtain a significant reduction in fuel consumption, longer spark plug life and reduced maintenance costs. You can have the Lumenition system fitted to your car at most repair shops, or you can install the kit easily yourself. Lumenition's use of an infra-red beam as a switch means that it is not affected by heat, magnetism or dirt.

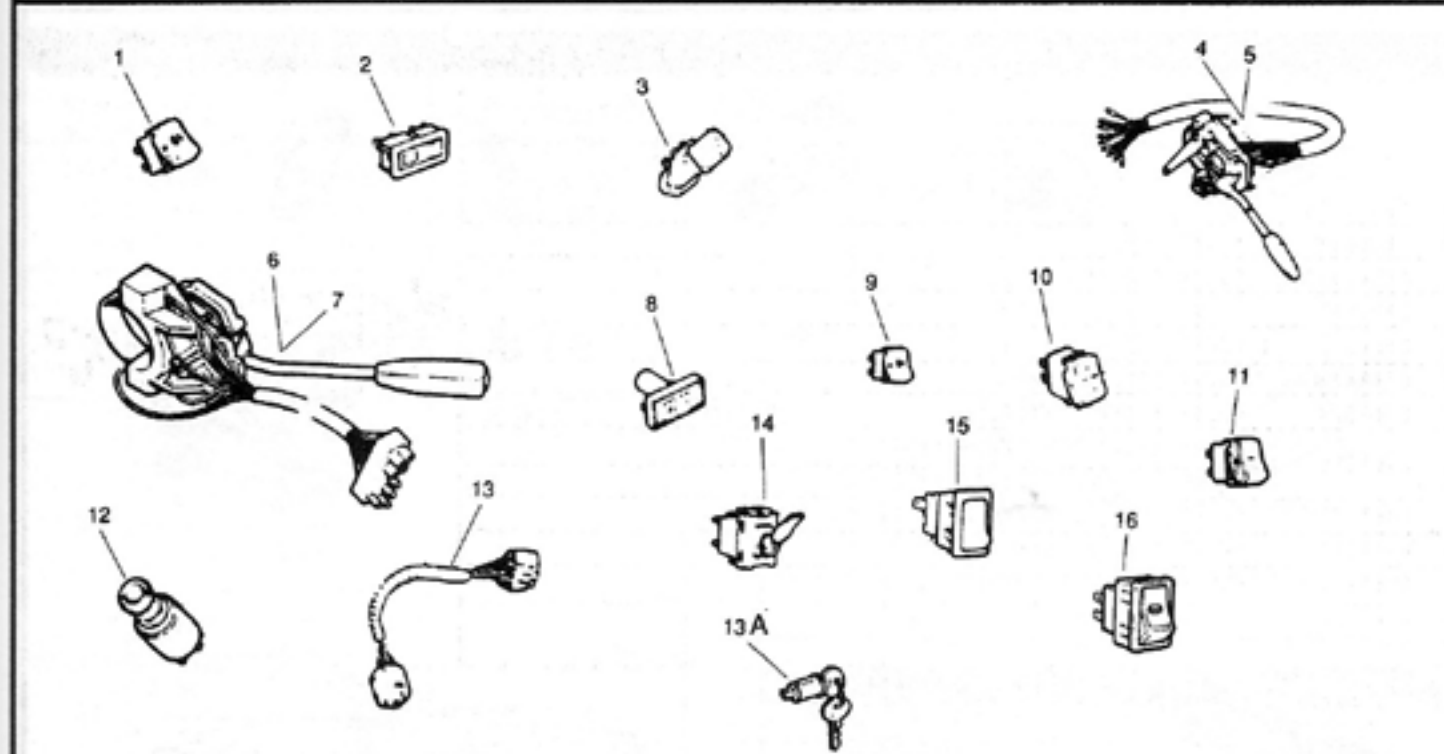
Ill No.	Part No.	Description	Qty.
1	PCR1207	Clip-7/8" Cable 7/32" Fixing	A/R
	PCR607	Clip-3/8" Cable 7/32" Fixing	
	PCR307	Clip-3/16" Cable 7/32" Fixing	
2	BMK385	Clip-Harness to Petrol Tank	4
	C5574	Grommet-1 1/4" OD, 5/16" ID	
3	L62	Grommet-1" OD, 1/4" ID	A/R
	RFR503	Grommet-1" OD, 3/16" ID	
	RFN403	Grommet-5/8" OD, 3/16" ID	
	14A7212	Grommet-11/16" OD, 1/8" ID	



OD = Outside Diameter, ID = Inside Diameter

ELECTRICAL

SWITCHES



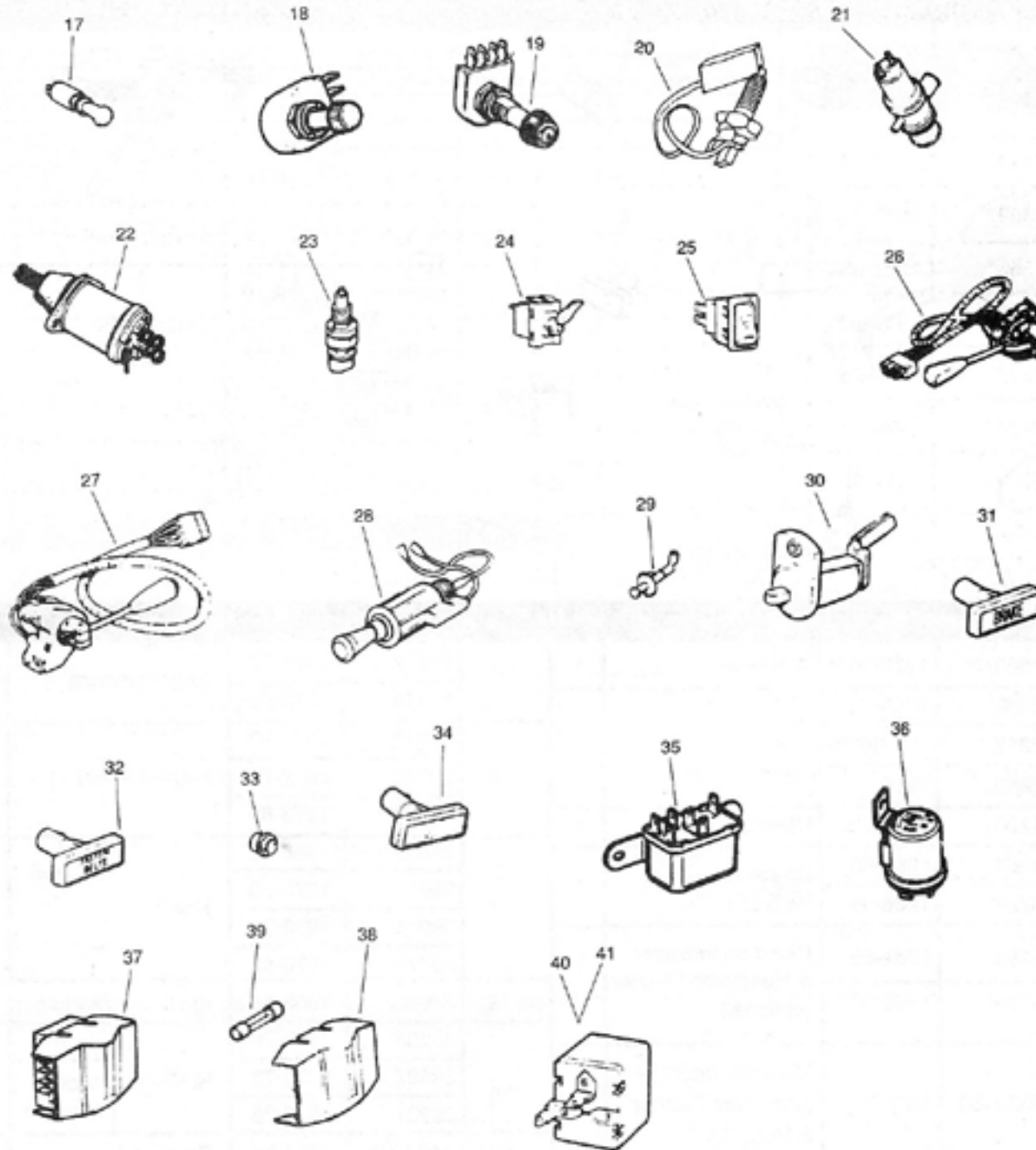
Ill No.	Part No.	Year	Description	Qty.	Ill No.	Part No.	Year	Description	Qty.	
1	39629	1973-76	Auxilliary	1	9	31837	1963-70	Fog (Optional)	1	
	35882	1968-70	Brake							
2	39212	Late 69-76	Check Light	1	10	35888	1968-72	Hazard Warning	1	
	30855	1976								
3	34790	1964-70	Dimmer	1	11	35872	1968-72	Heater	1	
4	34864	1964-66	Direction Indicator	1		39834	1972-73			
	35724	1966-68								
5	34588	1964-66	Direction Indicator & Headlamp Flasher (optional)	1		39915	1973-78			
	35725	1966-68								
6	54033480	1968-71	Direction Indicator Headlamp Flasher & Horn Push	1	12	31973	1963-68	Ignition & Starting	1	
						35893	1968-70			
7	39838	1971-74	Direction Indicator Headlamp Flasher & Dimmer	1	13	39387	1970-73	Ignition*	Audible Warning	1
						30579	1974-78			
						30897	1978-80			
8	39830	1972-77	Fasten Seat Belt	1	13A	24G1345	1963-75	Barrel & Key	1	
	34197	1977								
9	39833	1971-74	Direction Indicator Headlamp Flasher & Dimmer	1	14	31837	1963-68	Lighting	1	
						35870	1968-72			
						39833	1972-73			
						39914	1973-78			
10	39914	1973-78	Fasten Seat Belt	1	16	33774	1978-80			
						33774	1978-80			

* For Ignition Locks See Page 25. 1975-80 BHA5292.

ELECTRICAL

MIDGET

SWITCHES, WARNING LIGHTS, RELAYS, CIGAR LIGHTER, FUSE BOX



ELECTRICAL

MIDGET

SWITCHES, WARNING LIGHTS, RELAYS, CIGAR LIGHTER, FUSE BOX

Ill No.	Part No.	Year	Description	Qty.	Ill No.	Part No.	Year	Description	Qty.	
17	35915	1968-71	Map Light (optional)	1	Warning Lights					
18	34426	1964-68	Panel	1	31	30856	1977-78	Brake	1	
	31140	1968-70				33776	1978-80			
19	75827	1973-77	Panel Rheostat	1	32	54363665	1973-74	Fasten Seat Belt	1	
	78561	1977-80				54362929	1968-70			
20	35868	1968-70	Reverse Lamp	1	33	38723	1970-72	Hazard Warning	1	
	39365	1970-76				38189	1965-71			
	39977	1976-77			34	38189	1965-71	Oil Filter	1	
	30793	1977-80								
Relays										
21	76562	1973-76	Solenoid Anti-Run On	1	35	SRB501	1976-77	Battery Cut-Off	1	
	76568	1976-80				SRB501	1977-80			
---	76766	1963-75	(Remote Type)	1	36	SRB113	1977-80	Starter	1	
22	76771	1975-77	Solenoid-Starter							
	SRB335	1977-80								
23	34542	1964-68	Stop Light	1	37	54038068	1962-70	Fuse Box	1	
	35896	1968-80				37552	1970-75			
24	34426	1964-68	Windshield Wiper	1		38	37420			1975-77
	35874	1968-72					37552			1977-80
26	39839	1972-74	Windshield Wiper & Washer	1	39	CFB135W25		35 Amp Fuse	A/R	
	30580	1974-78				Flasher Units				
40	SFB105	1962-68	Flasher Unit	1	40	SFB114	1968-80			
	SFB114	1968-80								
Flasher Unit, Hazard Warning										
41	SFB130	1977-80	Flasher Unit	1						

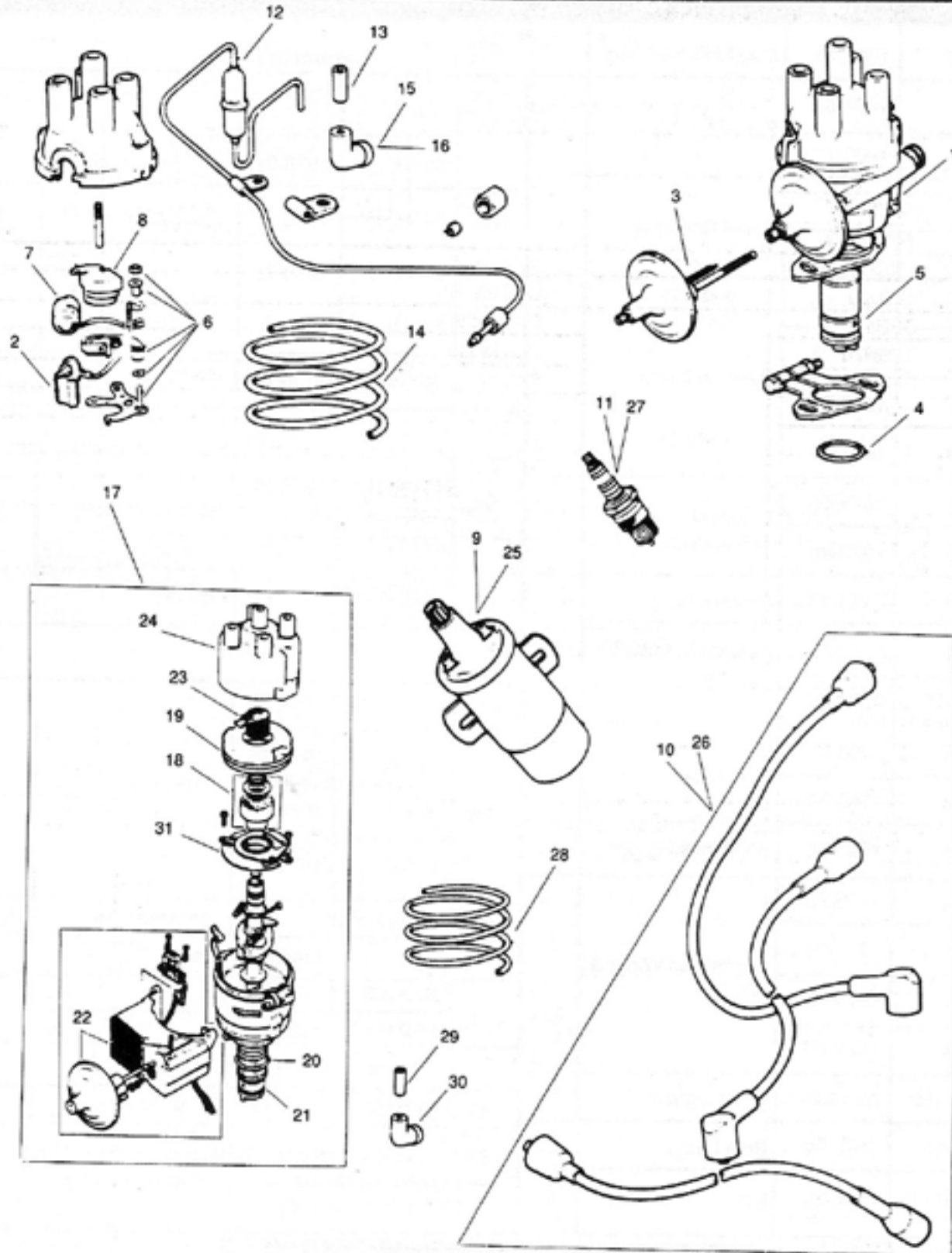
Some Lucas numbers have been discontinued and are shown for reference only. Please check your price list for availability.

Lucas Electrical



ELECTRICAL

MIDGET DISTRIBUTORS & RELATED COMPONENTS



ELECTRICAL

MIDGET DISTRIBUTORS & RELATED COMPONENTS

Ill No.	Part No.	Year & Description	Qty.			
Point Distributors						
1	30-0402*	1962-75	Distributor-Rebuilt w/Vacuum Unit	1		
	30-0400*		Distributor-Rebuilt w/o Vacuum Unit			
2	54413549	1962-75	Terminal Bush & Lead	1		
3	----	----	Vacuum Unit	Please use existing # off your old unit and our Part # to ensure receiving correct part.		
	54418274				40819	
	54423851				41229	
	54425359				41369	
4	188369W10	1962-75	*O* Ring	1		
5	420620	1962-75	Dog, Driving	1		
6	DSB101	1962-75	Contact Set	1		
7	DCB101		Condenser	1		
8	DRB101		Rotor	DDB101 Distributor Cap	1	
9	DLB101		Coil	1		
10	LHT752***		Wire Set (Press On)	1		
11	GSP163		Spark Plug	4		
12	---		Vacuum Pipe, Metal	1		
13	ACH9041		Connector-To Carburettor	A/R		
14	37H4229M		Vacuum Pipe, Plastic-Per Foot (Substitute)			
15	12B2095		Pipe Connector-Straight			
16	12B2062		Pipe Connector-90°			
Electronic Distributors						
17	---		1975-80	Distributor**	1	
18	54427066		---	Timing Rotor	41593, 41646, 41656	1
	---				41807, 41808	
19	54425769		---	Anti-Flash Cover	41593, 41656	1
	54427424	41646, 41807, 41808				
20	188639W10	1975-80	*O* Ring	1		
21	420620	1975-80	Dog, Driving	1		
22	54426551	---	Vacuum Unit	41593, 41656	1	
	54427198			41646		
	54401707			41807		
	54401650			41808		
23	DRB112	1975-80	Rotor	1		
24	GDC136		Distributor Cap	1		
25	DLB102		Coil	1		
26	LHT745		Wire Set	1		
27	GSP131		Spark Plug	4		
28	37H4229M		Vacuum Pipe, Plastic-Per Foot	A/R		
29	12B2095		Pipe Connector-Straight			
30	12B2062		Pipe Connector-90°			
31	54419792		Breaker Plate-(Models W/1 Piece Quick-Fit Points)	1		

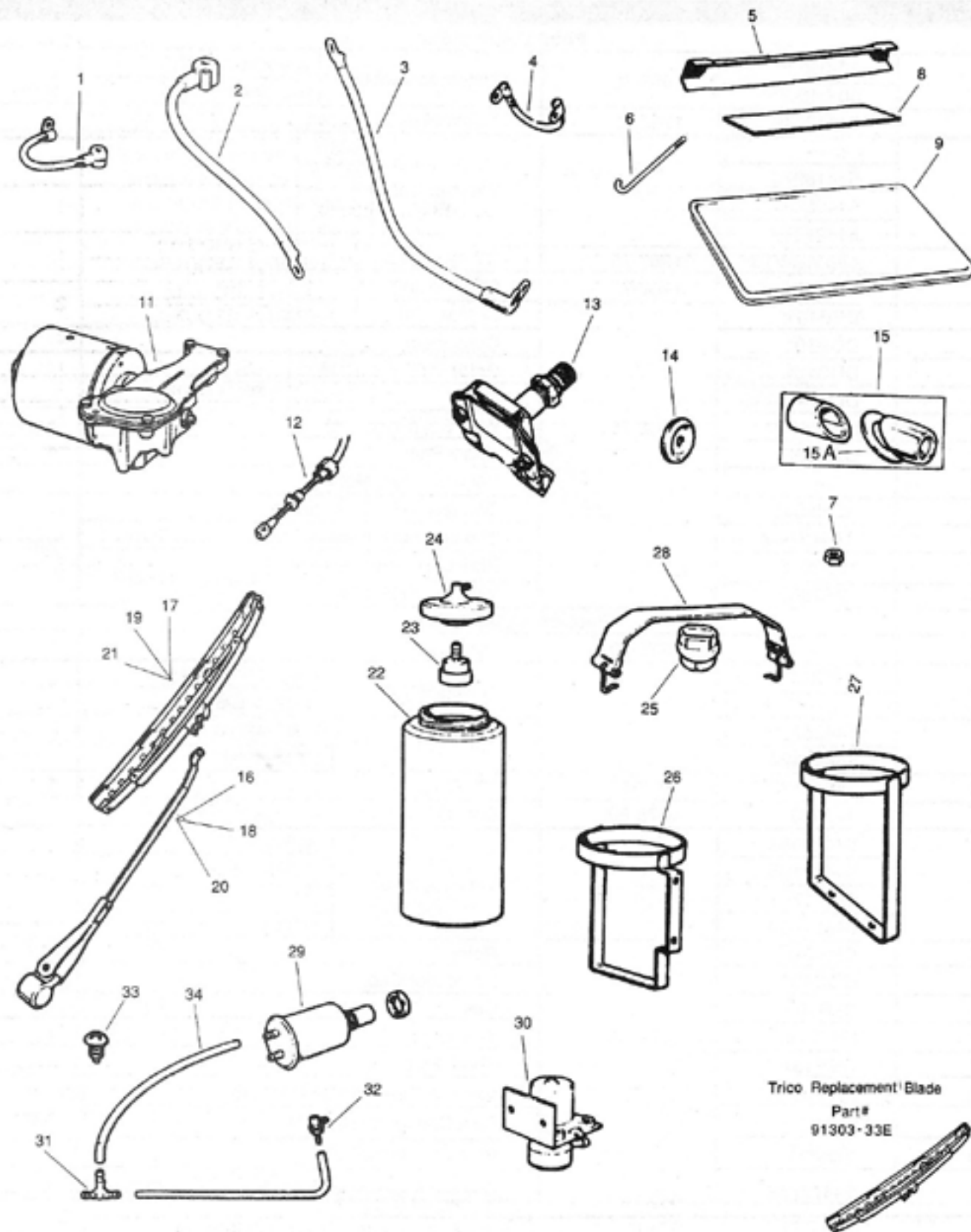
*Lucas distributors are no longer available. We offer a quality rebuilt unit for 1962-74 cars.

Original Electronic type distributors are no longer available from Lucas. We recommend you convert your system to an Electronic Lumenition unit. For more details see page 60. *DDB101 Screw On, DDB106 Press On Wires.

ELECTRICAL

MIDGET

BATTERY CABLES, WINDSHIELD WIPERS, WASHERS ECT.



ELECTRICAL

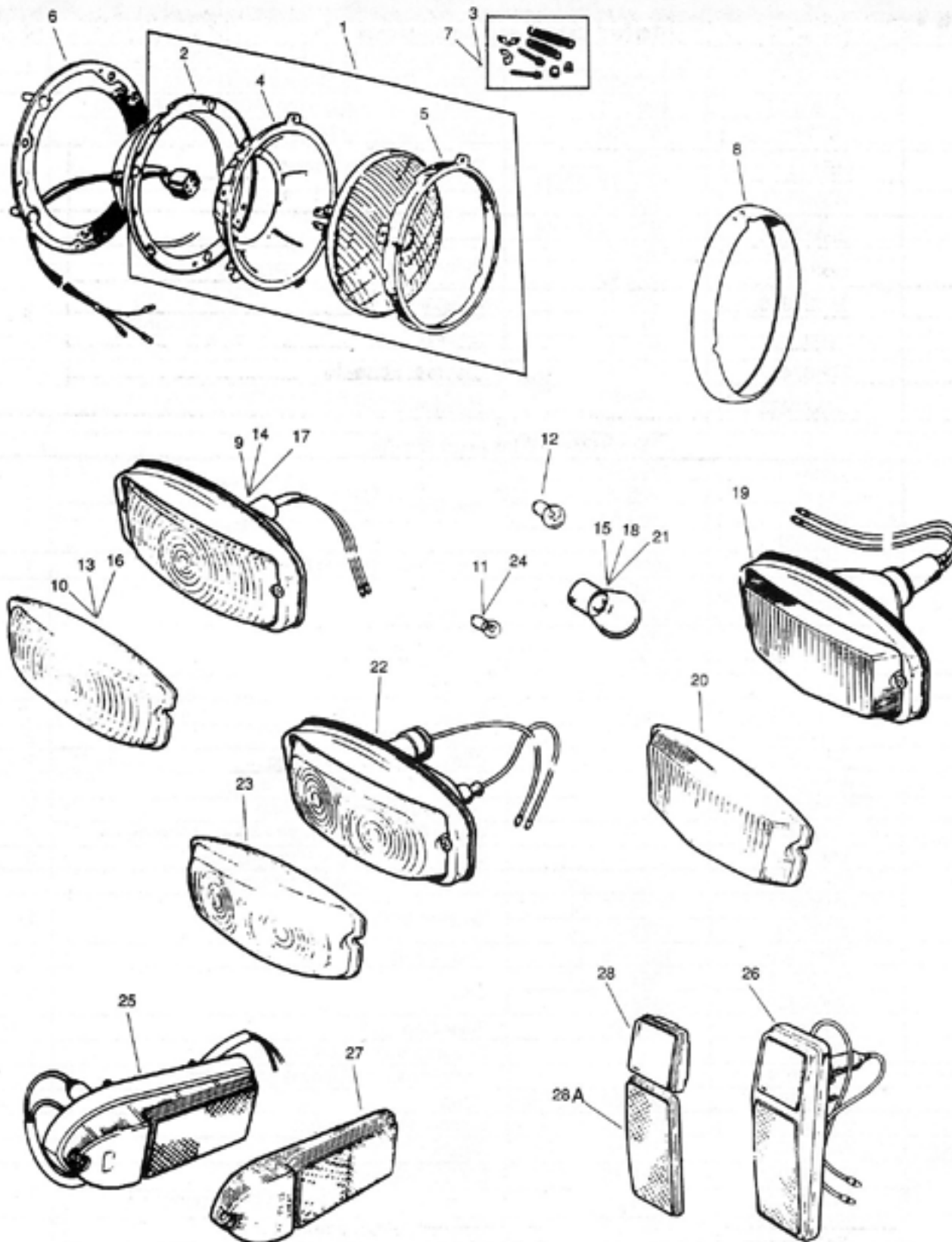
MIDGET

BATTERY CABLES, WINDSHIELD WIPERS, WASHERS ECT.

Ill No.	Part No.	Year & Description	Qty		
Battery Cables and Components					
1	AHA6934	1962-71	Battery Cable to Ground (POSITIVE GROUND)	1	
	5L924	1971-80	Battery Cable to Ground (NEGATIVE GROUND)		
2	BHA4257	1962-71	Battery Cable to Switch (POSITIVE GROUND)	1	
	5L734	1971-80	Battery Cable to Switch (NEGATIVE GROUND)		
3	AHA7776	1962-75	Cable-Switch to Starter	1	
	CHA390	1975-79 (1500)			
4	2K6167	1962-75	Cable-Engine Ground	1	
	AHH5452	1975-79 (1500)			
5	AHA6934	1962-71	Battery Clamp	(POSITIVE GROUND)	1
	34G2065	1971-80		(NEGATIVE GROUND)	
6	AHA7769	1962-71	"J" Bolt	(POSITIVE GROUND)	2
	AHA8674	1971-80		(NEGATIVE GROUND)	
7	GHF200	1962-80	Nut	4	
8	37H3743	1962-80	Clamp Gasket	1	
9	ACA9673	1962-80	Tray-(NEGATIVE GROUND) will fit all cars	1	
---	GBY5601	1962-80	12V Battery	1	
Windshield Wiper and Washer					
11	75801	1962-68	Windshield Wiper Motor	New	1
	75664	1968-80		Rebuilt	
	43-1321	1962-68			
	43-1320	1968-80			
12	37H5208	1962-80	Wiper Rack (Cut to Fit)	1	
13	72850	1962-68	Wheelbox	2	
	72775	1968-75			
	72889	1975-77			
	72879	1977-80			
14	C5574	1962-80	Grommet	1	
15	BAU1465	1962-80	Bush Kit-Chrome	2	
15A	ADC560	1962-80	Washer Rubber	2	
16	BHA4894	1962-70	Wiper Arm-Spoon Fitting	2	
17	GWB145	1962-70	Wiper Blade-9"-Spoon Fitting	2	
18	BHA5208	---	Wiper Arm-Straight Fitting	2	
19	GWB164	---	Wiper Blade-9"-Straight Fitting *Alternative	2	
20	AAU7991	---	Wiper Arm Straight Fitting-Black	2	
21	GWB266	---	Wiper Blade-Straight Fitting-Black	2	
22	GWW918	1962-75	Washer Bottle	1	
	GWW902	1975-80			
23	GWW506	1962-75	Foot Valve	1	
24	AHH6848	1962-75	Cap	1	
	GWW952	1975-80			
25	GWW951	1975-80	Filler Cap	1	
26	13H232	---	Bottle Bracket-Radiator Mounting	1	
27	AHA8729	---	Bottle Bracket-Footwell Mounting	1	
28	CHA458	1975-80	Strap	1	
29	GWW102	1962-75	Washer Pump-Manual	1	
30	WSB100	1975-80	Washer Pump-Electric	1	
31	GWW408	1962-75	3-Way Connector	1	
	GWW407	1975-80			3-Way Connector from GAN6-2000001 on
32	GWW802	1962-75	Washer Jet-Chrome	2	
33	GWW829	1974-80	Washer Jet-Plastic GAN6-2000001 on		
34	GWW201M	(4.8mm-O/Diameter)	GWW202M (6.4mm-O/Diameter) ---Tubing-Sold in Feet	A/R	

ELECTRICAL

LAMPS/LENSES & COMPONENTS



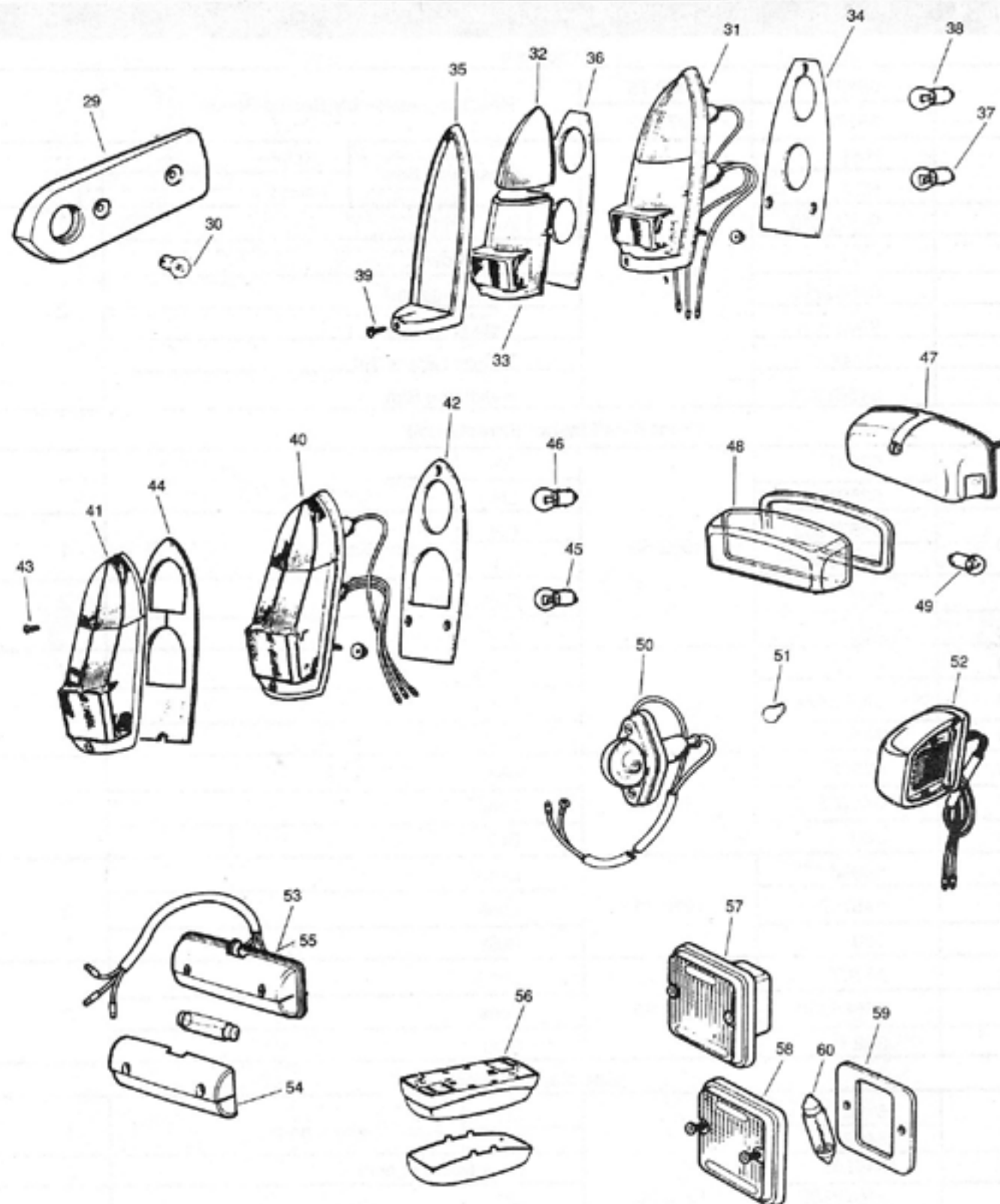
ELECTRICAL

MIDGET LAMPS/LENSES & COMPONENTS

Ill No.	Part No.	Year & Description	Qty		
Headlamp					
1	59191	1962-75	Headlamp Assembly-Sealed Beam		
	59773	1975-80			
2	HB1	1962-80	Headlamp Bowl		
	HB2			Metal	
			Plastic		
3	BHM7058		Adjuster Kit		
4	HB3		Inner Bowl		
5	54521913		Retaining Rim		
6	9403		Gasket		
7	60600427		Trimmer Screw Kit		
8	54521223	Headlamp Rim	2		
Front Side/Flasher (Directional)					
9	52507	1962-66	RH	Lamp	1
	52506		LH		
10	54571508	1962-66	RH	Lens, Glass	1
	54571509		LH		
11	989	1962-66	Bulb, Side		2
12	382		Bulb, Directional		
13	L52535	1966-68	Lamp		2
14	54572424		Lens		
15	380	1968-70	Bulb		2
16	52922		Lamp		
17	54576573	1968-70	Lens		2
18	380		Bulb		
19	54966	1970-75	Lamp		2
20	54579771		Lens		
21	380		Bulb		
22	56707	1975-80	Lamp		2
23	54586350		Lens		
24	382		Bulb		
Side Marker Lamp					
25	54921	1970-80	LH	Front Marker Lamp	1
	54920		RH		
26	54924		Rear Marker Lamp		2
27	54579190		LH	Front Marker Lens	1
	54579189		RH		
28	54580315		Rear Marker Lens		1
28A	575883	Rear Marker Lens Reflector		1	

ELECTRICAL

**MIDGET
LAMPS/LENSES & COMPONENTS (con't)**



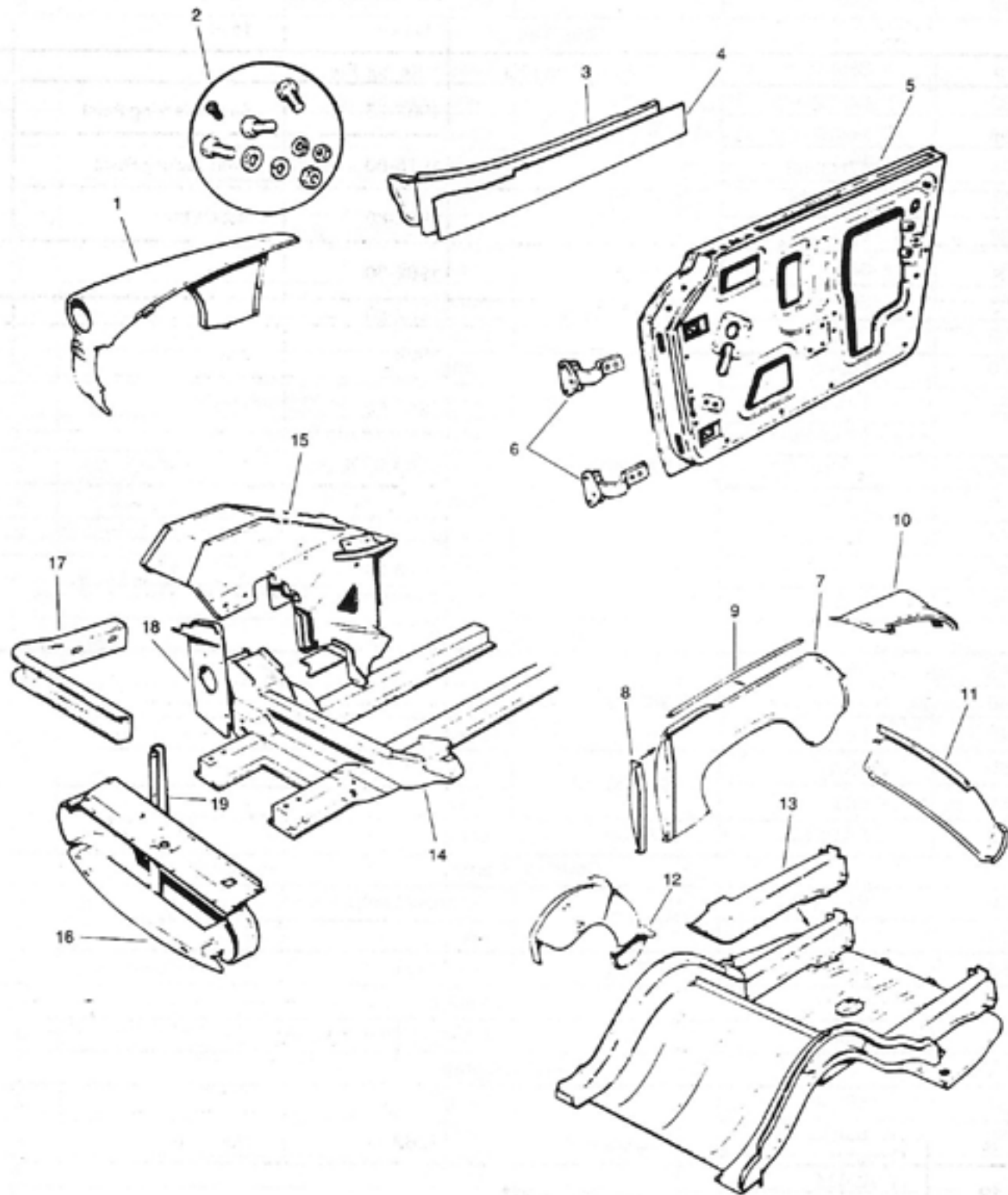
ELECTRICAL

**MIDGET
LAMPS/LENSES & COMPONENTS (con't)**

Ill No.	Part No.	Year & Description	Qty	
29	AHH9965	1970-80	LH	1
	AHH9964		RH	
30	989	Bulb	2	
Stop/Tail Lamps				
31	BHA4175	1962-70	Lamp	1
32	54572490		Lens, Directional	2
33	54572411		Lens, Stop-Tail	2
34	57H5358		Gasket, Lamp to Body	2
35	57H5355		Rim, Lamp	2
36	57H5356		Gasket, Lens to Lamp	2
37	380		Bulb, Stop & Tail	2
38	382		Bulb, Directional	2
39	RMP308		Screw, Rim	2
40	56223		1970-80	Lamp
41	54582997	Lens, Original Lucas (One Piece)		2
	54582997RP	Lens, Repro (One Piece)		2
42	37H4679	Gasket, Lamp to Body		2
43	PMP208	Screw		4
44	RLG1001	Gasket, Lens to Lamp		2
45	380	Bulb, Stop & Tail		2
46	382	Bulb, Directional		
License Plate Lamp				
47	56790	1962-70	Lamp	2
48	54593393		Lens	
49	989		Bulb	
50	53705	1970-80	Lamp	2
51	989		Bulb	
52	AAU2143	1975-80	Lamp	
Courtesy Lamp				
53	BHA5138	To 1977	Courtesy Lamp, Interior	1
54	27H3590		Lens	
55	ADU1003	1977-80	Courtesy Lamp, Interior	from c#200001 on
Trunk Lamp				
56	BHA5040	---	Lamp	Bulb 239
Reversing Lamp				
57	56880	1967-80	Lamp	2
58	54584170		Lens	2
59	37H1759		Gasket	4
60	270		Bulb	2

BODY

**MIDGET
BODY PANELS 1962-79**



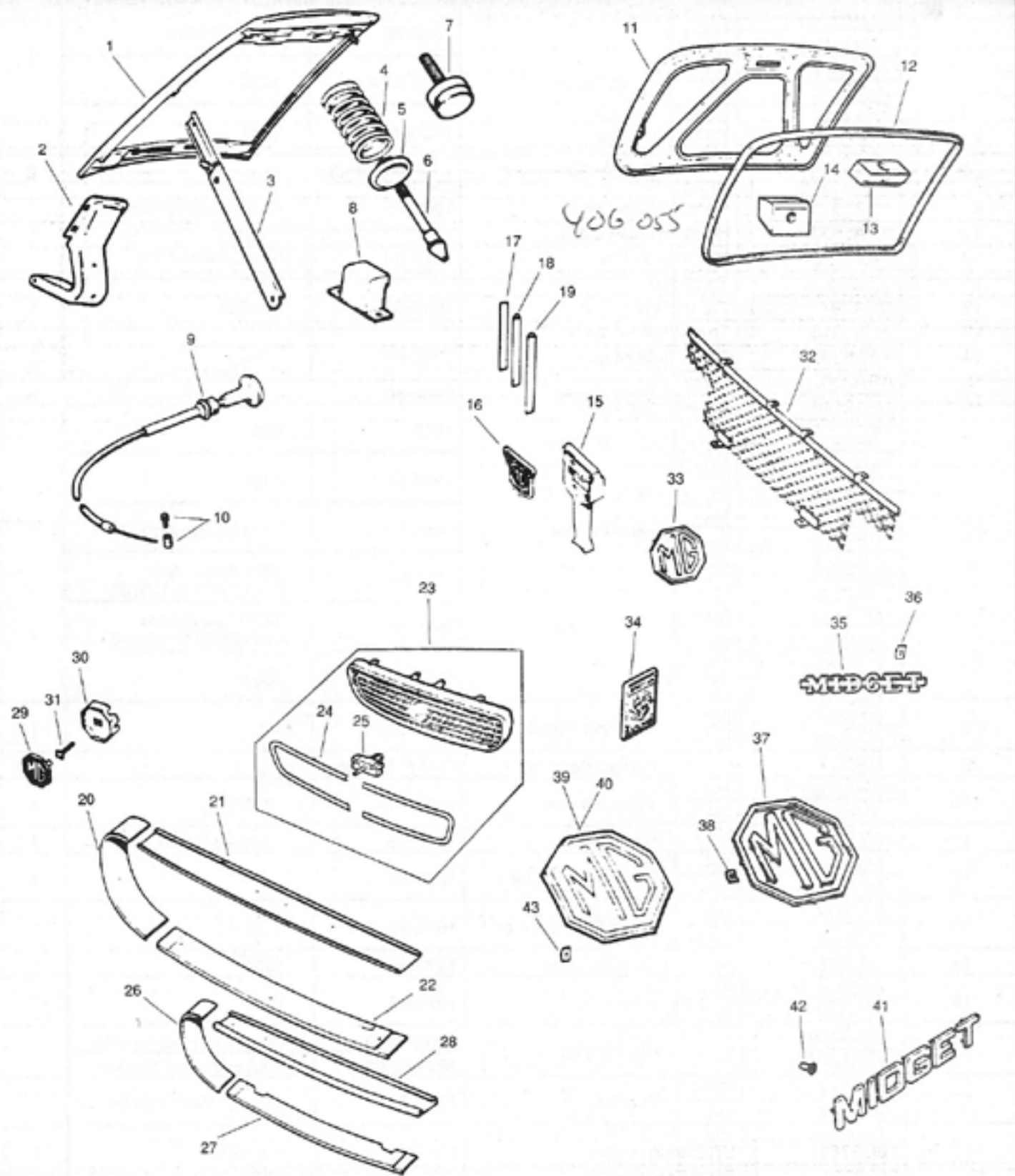
BODY

**MIDGET
BODY PANELS 1962-80**

Ill No.	Part No.	Description	Year	Remarks	Qty.
1	AHA7393	RH	1962-70	To Ch# 748865	1
	AHA5546	LH			
	CZJ361	RH			
	CZJ279	LH			
	CZJ594	RH			
	CZJ595	LH	10/74-80	1500	
2	WFK922	Fender Fitting Kit	1 Kit per Fender		2
3	AHA5552	RH	1962-75	Single Jacking Point	1
	AHA5553	LH			
	CZJ694	RH			
	CZJ695	LH	1975-80	Twin Jacking Point	
4	MS32R	RH	1962-80	Not OEM	1
	MS32L	LH			
5	CZJ478	RH	1962-80		1
	CZJ479	LH			
6	AHA7428	Door Hinge	1962-80		4
7	AHA5753	RH	1962	948	1
	AHA5754	LH			
	AHA7212	RH			
	AHA7213	LH			
	CZJ220	RH			
	CZJ221	LH			
	CZJ408	RH			
	CZJ409	LH			
	CZJ220	RH			
	CZJ221	LH			
	CZJ590	RH			
CZJ591	LH				
8	CZJ458	RH	1962-65	MK I	1
	CZJ459	LH			
9	MB38	Fender Beading	51/2 ft. Length		A/R
10	AHA8023	RH	1966-80	1275/1500	1
	AHA8024	LH			
11	CZJ70	Rear Panel	1966-75	w/Reversing Lamp Holes	1
12	MS44R	RH	1962-80		1
	MS44L	LH			
13	CZJ644	RH	1975-80	1500	1
	CZJ645	LH			
14	CZJ676	Chassis Legs	1975-80	1500	1
15	CZJ748	RH	1975-80	1500	1
	CZJ749	LH			
16	AHA5549	Front Panel	1962-741/2	Chrome Bumper Models	1
	CZJ565		19741/2-80	Rubber Bumper Models	
17	2A5591	RH	1962-75	use w/CHA224 (not for 1500)	1
	2A5592	LH			
18	CHA224	RH	1962-75	Not 1500	1
	CHA225	LH			
19	AHA5624	RH	1962-80		1
	AHA5624	LH			

BODY

MIDGET
BODY PANELS, GRILLES & EMBLEMS



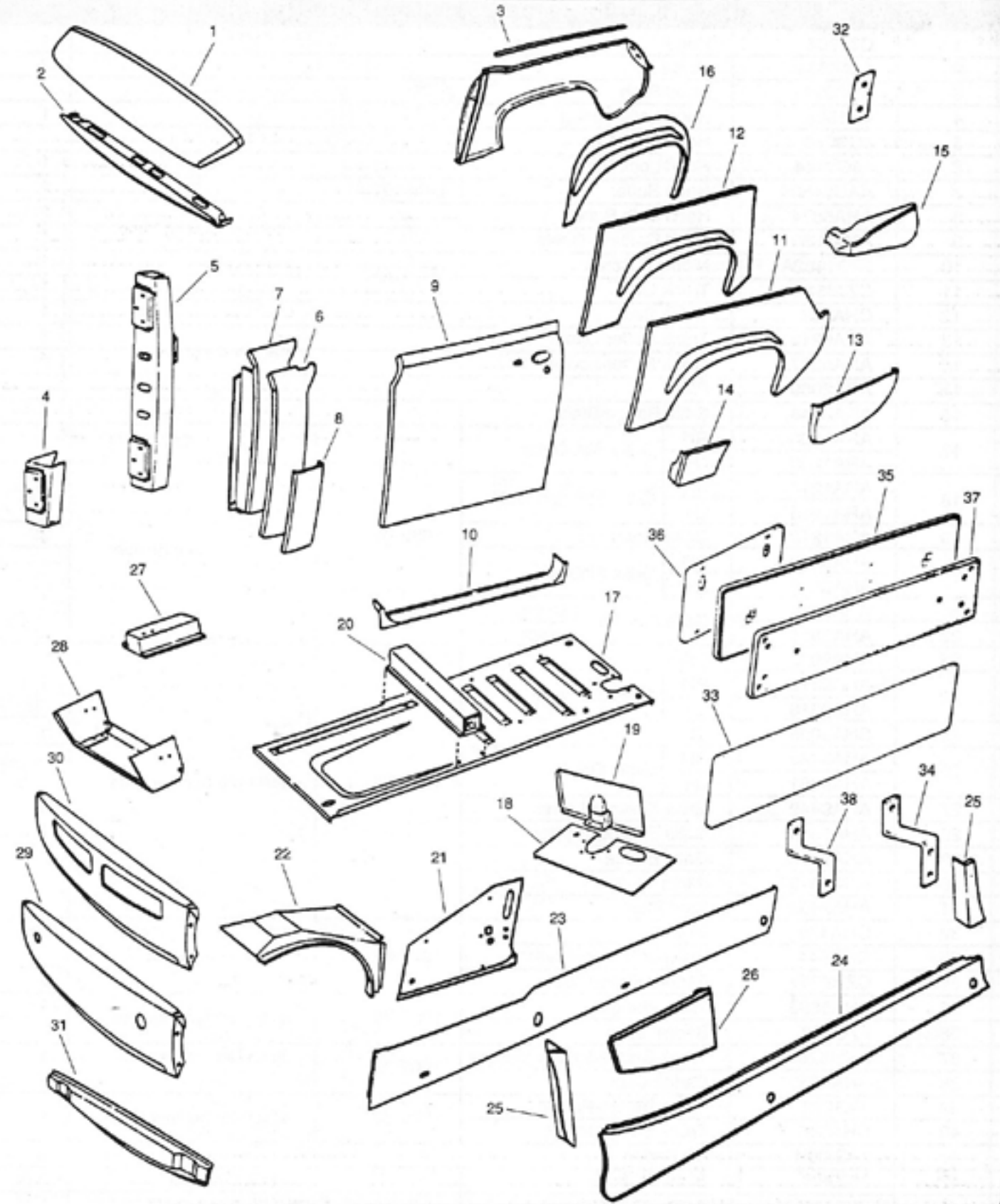
BODY

MIDGET
BODY PANELS, GRILLES & EMBLEMS

Ill No.	Part No.	Description	Year	Remarks	Qty.
1	CZJ704	Hood			1
2	14A4684	Hinge			2
3	AHA9717	Hood Prop			1
4	4G1588	Hood Lock Spring			1
5	4G3676	Hood Lock Cup			1
6	14G2444	Hood Lock Pin			1
7	AAU5486A	Hood Buffer	Late 1500		2
8	AHA5674	Hood Side Buffer			2
9	AHA5653	Hood Release Cable			1
10	24G1482A	Nipple & Screw			1
11	CZJ351	Trunk Lid			1
12	CHA797	Trunk Seal			1
13	AHA6213	Trunk Buffer-Upper			2
14	AHA6207	Trunk Buffer-Lower			2
15	ARA2069	Plinth			
16	ARA2148	Grille Badge-Black			
17	ARA1208	RH Grille Slat-Outer	1962-70	to c#74886 up to Split Rear Bumper	1
	ARA1209	LH Grille Slat-Outer			
18	ARA1215	RH Grille Slat-2nd Outer			
	ARA1216	LH Grille Slat-2nd Outer			
19	ARA1210	Grille Slat-Inner			32
20	AHA5512	RH Grille Finisher	1970-75	Split Rear Bumper Cars	1
	AHA5513	LH Grille Finisher			
21	AHA5514	Grille Finisher Upper			
22	AHA5515	Grille Finisher Lower			
23	AHA9925	Grille	1970-75	Split Rear Bumper Cars	
24	AHA9315	RH Grille Moulding			1
	AHA9316	LH Grille Moulding			
25	BHA5008	Clip			8
26	AHA9450	RH Grille Finisher			
	AHA9451	LH Grille Finisher			
27	AHA9449	Grille Finisher-Lower			1
28	AHA5514	Grille Finisher-Upper			
29	AHA9318	Grille Badge			
30	AHA9319	Plinth			
31	AHA9482	Stud Plate			
32	CHA478	Grille	1975-80	Rubber Bumper Cars	1
33	CHA544	Bumper Badge-Silver			2
34	CZH2717	Fender Badge-"BL"			
35	AHA5683	Trunk Badge	1962-70	up to Split rear Bumper	1
36	PFS103	Badge Clips			2
37	AHH5261K	Trunk Badge-3 Piece Octagon	1962-70	up to Split rear Bumper	1
38	BHA4553	Badge Clips			2
39	34G252	Trunk Badge-Plastic	1970-80	Split Rear Bumper Cars on.	1
40	CHA545	Trunk Badge-Metal			
41	18G8761	Sill Badge			2
42	352985	Blind Fastener		All Sill Emblems	A/R
43	PFS106	Badge Clip (Fastener)		for AHA9665, 34G252, CHA544, CHA545	3

MIDGET

REPAIR PANELS-NUMBER PLATE PANELS



MIDGET

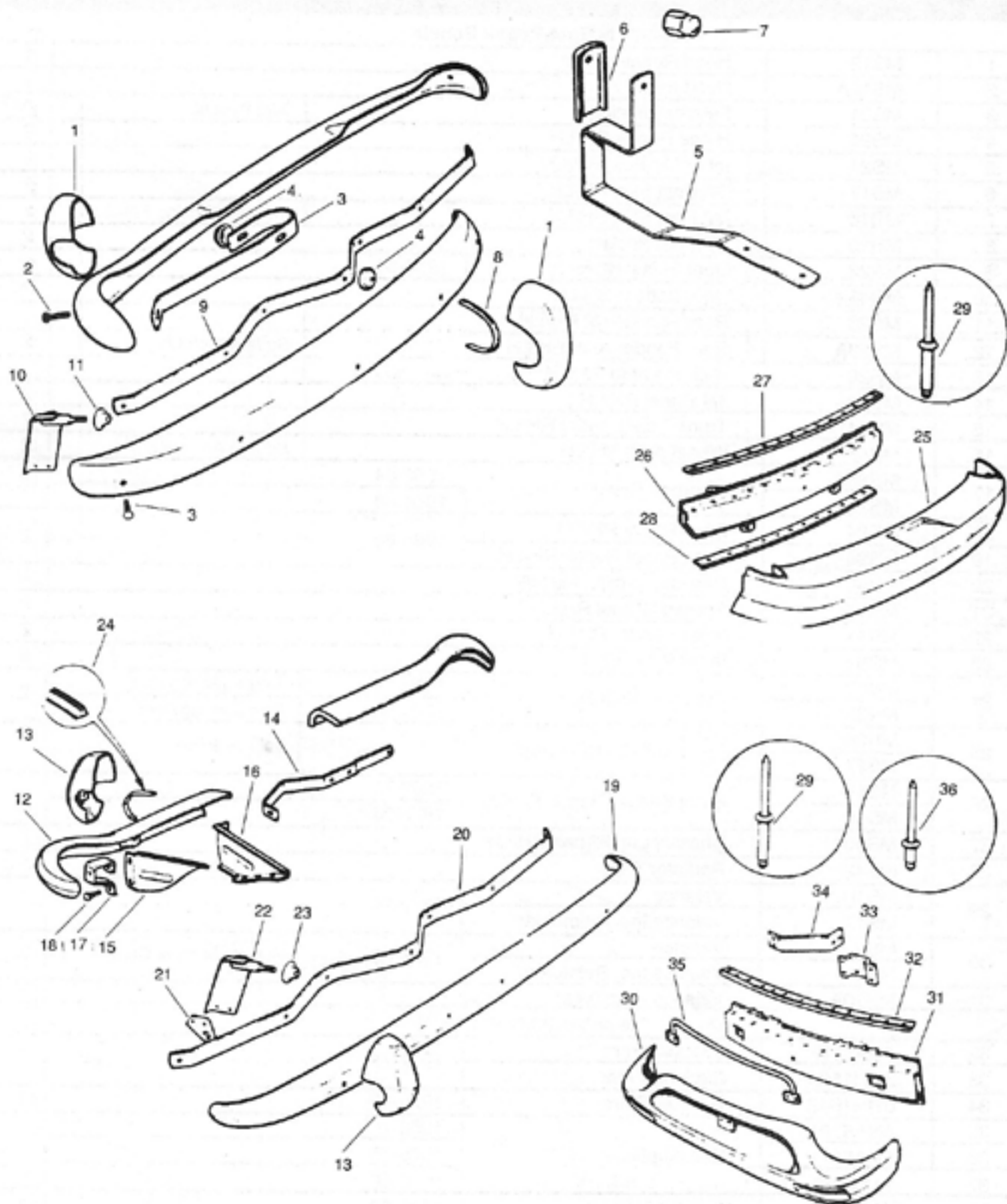
REPAIR PANELS-NUMBER PLATE PANELS

Ill No.	Part No.	Description	Year	Remarks	Qty.
1962-79 Midget-Repair Panels					
1	MS12	Hood Repair-Outer			1
2	MS12A	Hood Inner			1
3	MS31	Fender Beading		51/2 ft. Long	A/R
4	MS20	Hinge Repair RH/LH			2
5	MS21	Inner "A" Post RH/LH			2
6	MS17	"A" Post Skin RH/LH			2
7	MS18	"A" Post Skin RH/LH		Includes Closing Panel	2
8	MS19	"A" Post Repair			2
9	MS22	Door Skin RH/LH	1964-80		2
10	MS43	Door Bottom RH/LH			2
11	MS28	Rear Fender 1/2 RH/LH			2
12	MS28A	Rear Fender Arch RH/LH		Square Arch Only	2
13	MS29	Arch to Lamp RH/LH			2
14	MS30	1/4 Panel RH/LH			2
15	MS44	Trunk/Rear Fender RH/LH			2
16	MS45	Wheel Arch RH/LH		Square Arch Only	2
17	MS23A	Floorpan RH/LH	1962-64		2
	MS23		1964-80		
18	MS24	Floor Repair RH/LH	1964-80		2
19	MS25	Back Panel Repair RH/LH			2
20	MS48	Chassis Section Inc. J/P			2
21	MS47	Footwell Panel RH/LH			2
22	MS51	Inner Fender RH/LH			2
23	MS32	Inner Sill RH/LH			2
24	MS37*	Outer Sill RH/LH	1962-75	Single Jacking Point	2
	MS39*		1975-80	Twin Jacking Point	
25	MS26	RH		Sill Closing Panel	Sold as a Pair
	MS27	LH			
26	MS15	Front Fender Repair RH/LH	1962-75		2
	MS16		1975-80		
27	MS40	Chassis Leg Repair RH/LH			2
28	MS42	Radiator Tray			1
29	MS10	Valance	1962-75		1
	MS11	Valance Inc. Reinforcer			
30	MS8	Valance	1975-80	Rubber Bumper Cars	1
	MS9	Valance Inc. Reinforcer			
31	MS10A	Valance Reinforcer			1
Number Plate Panels					
32	AHA8177	Bracket-Front	1962-75		2
33	BHH1524	Backing-Front			1
34	BHH1642	Bracket-Front	1975-80		1
35	AHA5791	Backing-Rear	1962-70		1
36	AHA5211		1970-75		
37	14A7552		1975-80		
38	CHA363	Bracket-Rear	1975-80		1

Repair Panels that are handed should be ordered individually: e.g. Ill. No. 14, MS30 1/4 Panel RH/LH--If you are ordering the right hand side, please order MS30RH-- If you are ordering the left hand side place the order as MS30LH. *See pg. 88 for Plug.

BODY

**MIDGET
BUMPERS**



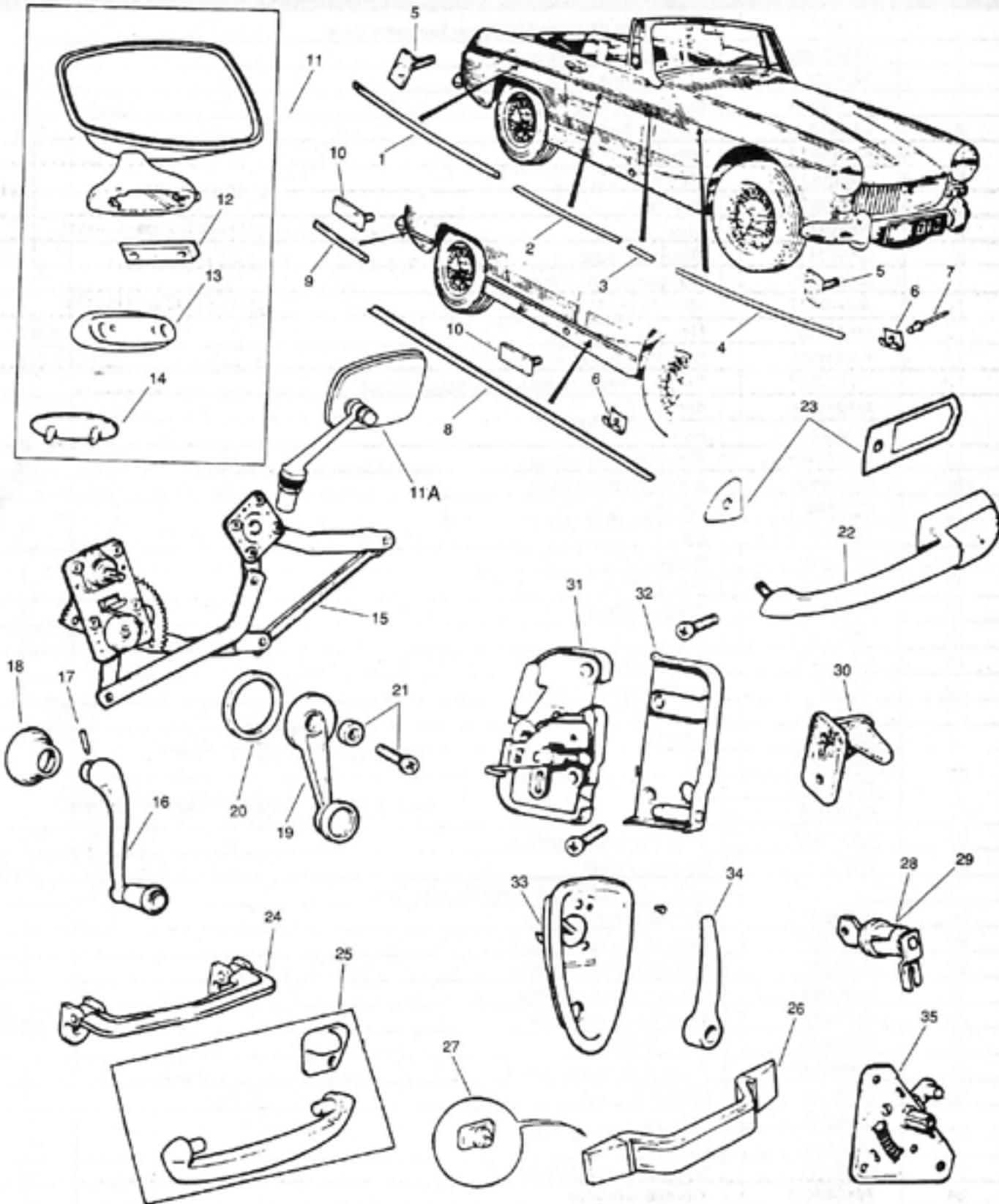
BODY

**MIDGET
BUMPERS**

Ill No.	Part No.	Description	Year	Remarks	Qty.	
1962-70 Up to Split Rear Bumpers Cars						
1	AHA5686	Override Front/Rear			4	
2	24G625	Bumper Bolt			5	
3	AHA5675	Bumper Spring-Rear			2	
4	11B5721	Bumper Spacer			9	
5	AHA5677	RH	Bumper Iron-Rear		1	
	AHA5678	LH				
6	AHA5679	Finisher			2	
7	14B2685	Nut			2	
8	0209	Override Seal			A/R	
9	AHA5696	Bumper Spring-Front			1	
10	AHA5521	RH	Bumper Mounting		1	
	AHA5522	LH				
11	AAA1645	Seal-Bumper Mounting			2	
1970-75 Split Rear Bumper Cars						
12	AHA9458	RH	Rear Bumper		1	
	AHA9459	LH				
13	AHA9633	Override Front/Rear			4	
14	AHA9465	Bumper Spring-Rear			1	
15	CZJ334	RH	Bracket-Outer		1	
	CZJ335	LH				
16	CZJ336	RH	Bracket-Inner		1	
	CZJ337	LH				
17	AHA9468	Bumper Bracket			4	
18	BHA4991	Bolt			4	
19	AHA9453	Front Bumper			1	
20	CHA42	Front Bumper Spring			1	
21	AHA6498	Towing Eye			2	
22	AHA5521	RH	Bumper Mounting	1970-Aprx. '73	up to c#138800	1
	AHA5522	LH		Aprx. 1973-75	from c#138801 to 154100	
	CHA182	RH				
	CHA183	LH				
23	AAA1645	Seal-Bumper Mounting			2	
24	209	Override Seal			A/R	
1975-80 Rubber Bumper Cars						
25	BHM539	Rear Bumper			1	
26	CHA536	Bumper Armature-Rear			1	
27	CHA252	Clamping Plate-Upper			1	
28	CHA253	Clamping Plate-Lower			1	
29	CHA307	Rivet-Front and Rear			A/R	
30	BHM538	Front Bumper			1	
31	BHM534	Bumper Armature-Front			1	
32	CHA254	Clamping Plate			1	
33	CHA298	RH	Bumper Bracket		1	
	CHA299	LH				
34	CHA250	Bumper Bracket-Outer			2	
35	CHA321	Bumper Support			1	
36	CHA365	Rivet-Bumper Support			4	

BODY

**MIDGET
DOOR FITTINGS, BODY MOULDINGS & LOCKS**



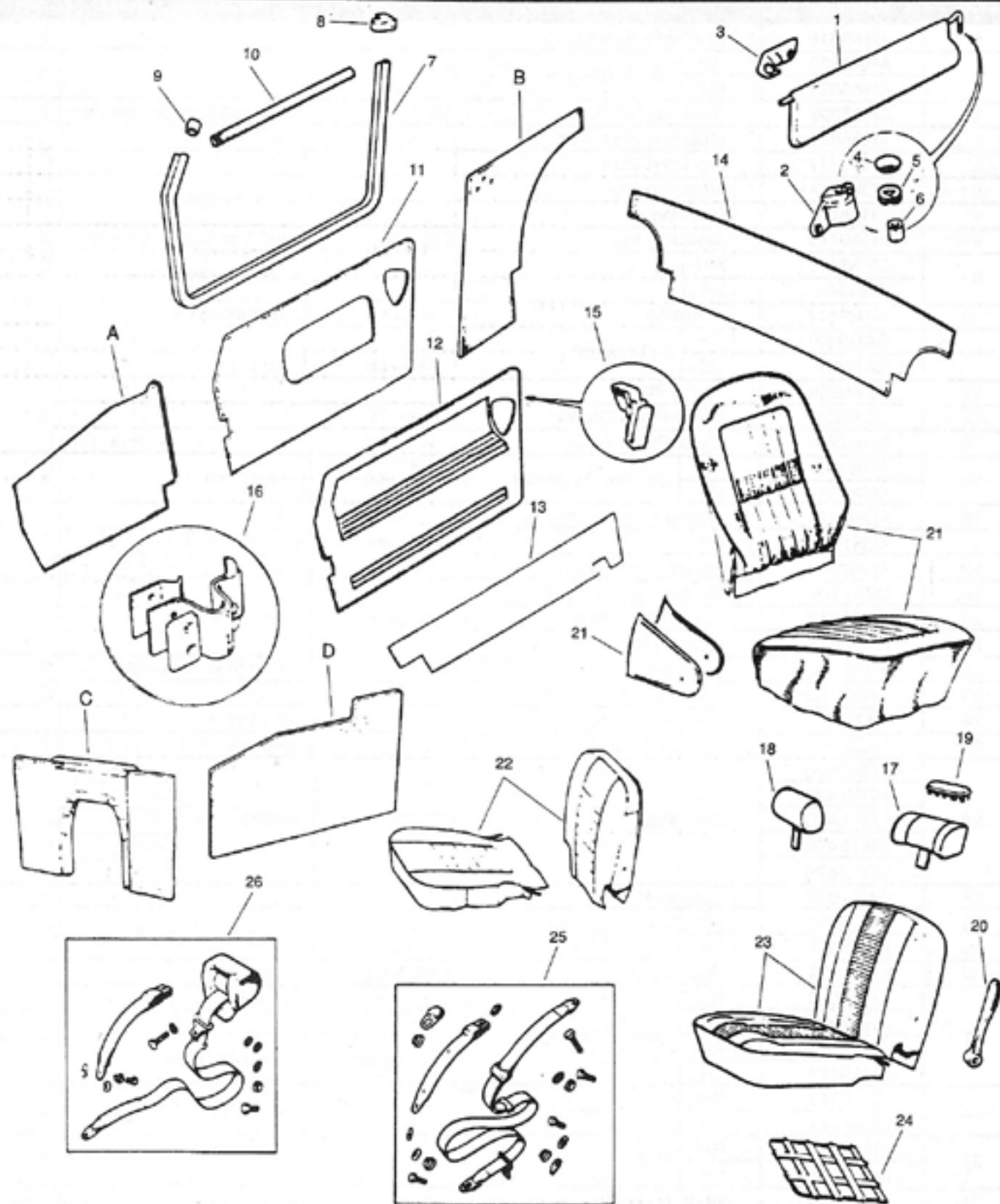
BODY

**MIDGET
DOOR FITTINGS, BODY MOULDINGS AND LOCKS**

Ill No.	Part No.	Description	Year	Remarks	Qty.	
1	AHA5818	Moulding-Rear Fender			2	
2	AHA5823	RH Moulding-Door			1	
	AHA5824	LH				
3	AHA5822	Moulding "A" Post	1962-70	up to Split Rear Bumper Cars	2	
4	AHA5825	Moulding-Front Fender			2	
5	AHA5817	Moulding Stud				
6	ALA3647	Moulding Clip		for all Mouldings	A/R	
7	GHF600	Pop Rivet				
8	AHA9440	Moulding-Sill	1970-80	Split Rear Bumper Onward	2	
9	CHA347	RH Moulding-Rear Fender	1975-80	Rubber Bumper Cars	1	
	CHA348	LH				
10	AHA9447	Moulding Stud		Fits AHA9440 & CHA347/8	4	
11	GAM217	RH Door Mirror			1	
	GAM218	LH				
12	DZB5208	Fixing Plate			2	
13	CZJ3521	Mirror Plinth-Chrome				
14	CHA176	Mirror Plinth-Plastic				
15	AHA8533	RH Window Regulator	Aprx. 1966 on	c#60460 on	1	
	AHA8534	LH				
16	ADH5481	Winder Handle-Chrome				
17	ALH1527	Pin	1962-Aprx. '66	up to c#60459	2	
18	ADB709	Escutcheon-Chrome				
19	CZA7109	Winder Handle-Plastic				
20	AHA8517	Escutcheon-Plastic	Aprx. '66-80	from c#60460 on	2	
21	ZKC3317	Flanged Screw				
22	AHA8530	Handle-Outer for AHA9173/4		will fit AHA7033/4 if striker plate is extended	2	
23	14G2792P	Gaskets-Door Handle-Pair			2	
24	4B3479	Door Pull-Chrome	Aprx. to'67	up to c#60459	2	
25	GLZ118	Door Pull-Plastic	1967-72	from c#60460 to 105500	2	
26	RGA6476	Door Pull	1972-80	c#105501 on	Black	2
	RGN6476				Navy	
	RGK6476				Aut.Leaf	
	RGT6476				Ochre	
	RGX6476				Beige	
27	GHF1029	Locknut-Plastic			4	
28	AHA8531	RH Door Lock		Available as Match Pr. also	1	
29	AHA8532	LH				
30	AFH1684	Door Catch	1962 MK I		2	
31	AHA7033	Latch Mechanism	Aprx. to'66	up to c#60459	1	
	AHA7034					LH
	AHA9173		RH	Aprx. '66-80		from c#60460 on
	AHA9174		LH			
32	CZA3310	RH Lock Striker		use w/AHA9173/4	1	
	CZA3311	LH				
33	AHA7040	RH Bezel			1	
	AHA7041	LH				
34	AHA8433	Handle-Chrome			2	
35	AHA7144	RH Locking Mechanism			1	
	AHA7145	LH				

BODY

**MIDGET
INTERIOR TRIM**



BODY

**MIDGET
INTERIOR TRIM**

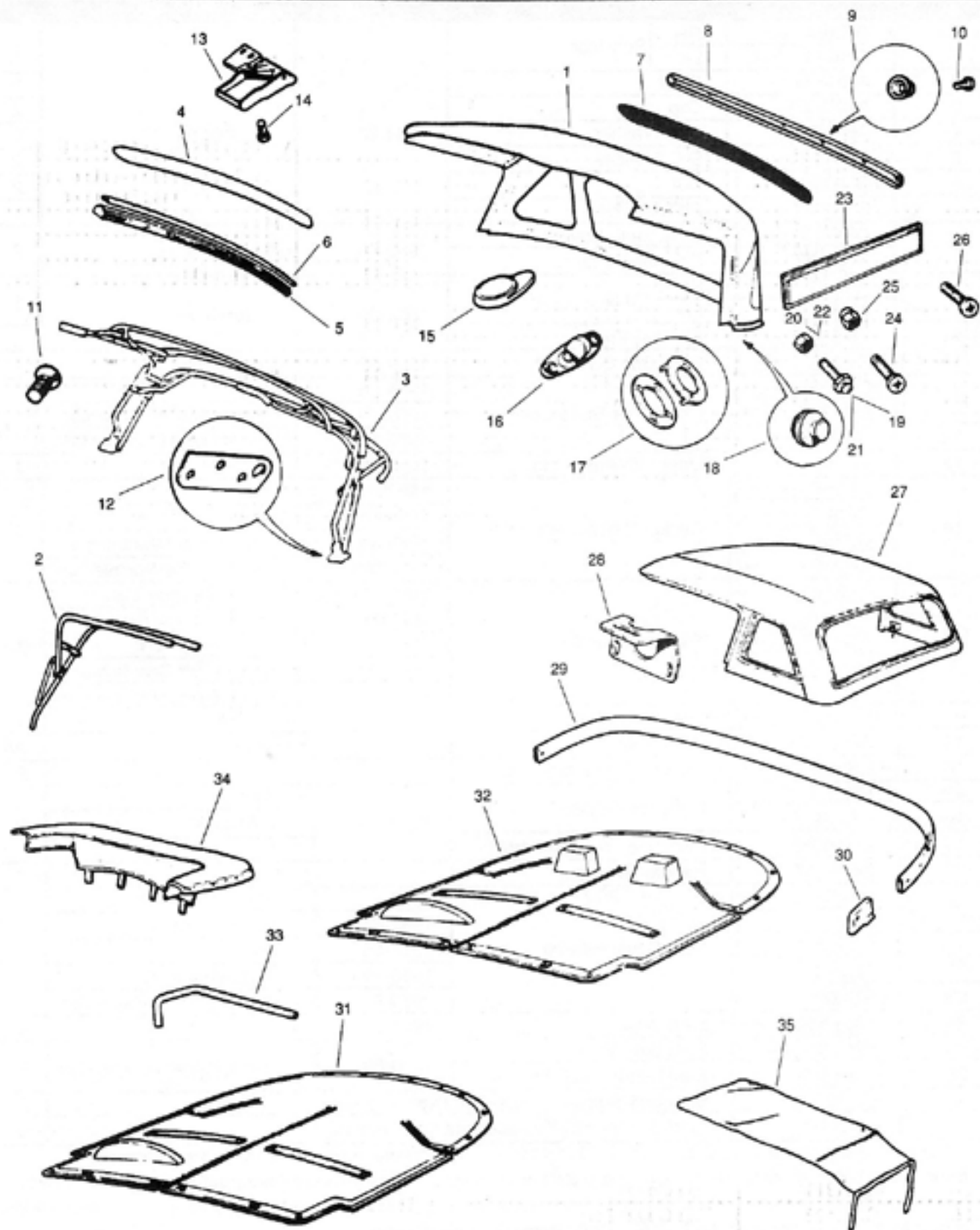
Ill No.	Part No.	Description	Year	Remarks	Qty.	
1	CHA64	RH Sunvisor	1964-80	c#25788 on	1	
	CHA65	LH				
2	AHH8758	Pivot				2
3	AHH9838	Clip				2
4	AHH8799	Cup Washer				2
5	AJD7721	D C Washer				2
6	GHF220	Nut				2
--	SVK645	Sunvisor Kit				1
7	DSW101	Door Seal-Wover	1962-80	State Color	2	
	XGA3223	Door Seal-Plastic				
8	AHA8162	RH Finisher-Rear	1964-80	c#25788 on	1	
	AHA8163	LH				
9	AHB9656	Finisher-Front			2	
10	DC245	Door Cap Cover Kit	1964-69	c#25788 on	1	
11	DP222	Liner-Door-State Color	1964-66	MK II	1	
	DP223		1966-70	1275 to Split Rear Bumper		
	DP224		1970-80	Split & Rubber Bumper Cars		
12	SL250	Liner Sill-State Color	1962-80		1	
14	CP236	Cockpit Liner-State Color	1962-64	MK I	1	
	CP237		1964-66	MK II		
	CP238		1966-70	1275 to Split Rear Bumper		
	CP239		1970-80	Split & Rubber Bumper Cars		
--	TK212*	Trim Kit-State Color	1962	MK I Front Drum Cars	1	
	TK213*		1962-64	MK I Front Disc Brakes		
	TK214*		1964-66	MK II		
	TK215*		1966-70	1275 to Split Rear Bumper		
	TK216*		1970-80	Split & Rubber Bumper Cars		
	--		TSK101**	Trim Screw Kit		
15	ADA1874	Panel Clip			A/R	
16	CS252	Check Strap-State Color			2	
17	HB253	Head Rest-State Color	1970-80	*D* Type	2	
18	HR254			Late Type		
19	BHA4985	Plug-Used If no Headrest			2	
20	24B4057	Handle-Reclining				
21	SC202	Seat Cover Kit-Pair	1962	948 Bucket Seat	1	
	SC203		1962-64	MK I early MK II		
	SC204		1964-68	Late MK II, III		
22	SC205	Seat Cover Kit-Pair	1968-70	MK III-Black w/ Black Piping	1	
	SC206		1970-80	Split & Rubber Bumper Cars		
24	AHA9928	Seat Web	1964-80		2	
25	CHA38	Seat Belt-Static	1970-80	Split & Rubber Bumper Cars	2	
26	BHH721	Seat Belt-Inertial Reel				
--	BSB300	Seat Belt-Static-Replacement (Not Original)			2	
--	BSB001	Seat Belt-Inertial-Replacement (Not Original)			2	

* A trim kit contains items A, B, C, D, 11 or 12, 13 and 14. **Contains 50 screws and cup washers.

Note: When ordering trim by part number please state color desired. Please use the following suffixes at the end of part number being ordered: Black=A, Red=M, Green=G, Blue=L, Autumn Leaf (Tan) = K, Navy=N and Ochre=T. For Example-A trim kit in Blue for a 1974 Midget would be TK216N. Order Piping Color if applicable

MIDGET

CONVERTIBLE TOPS, HARDTOPS & TONNEAU COVERS

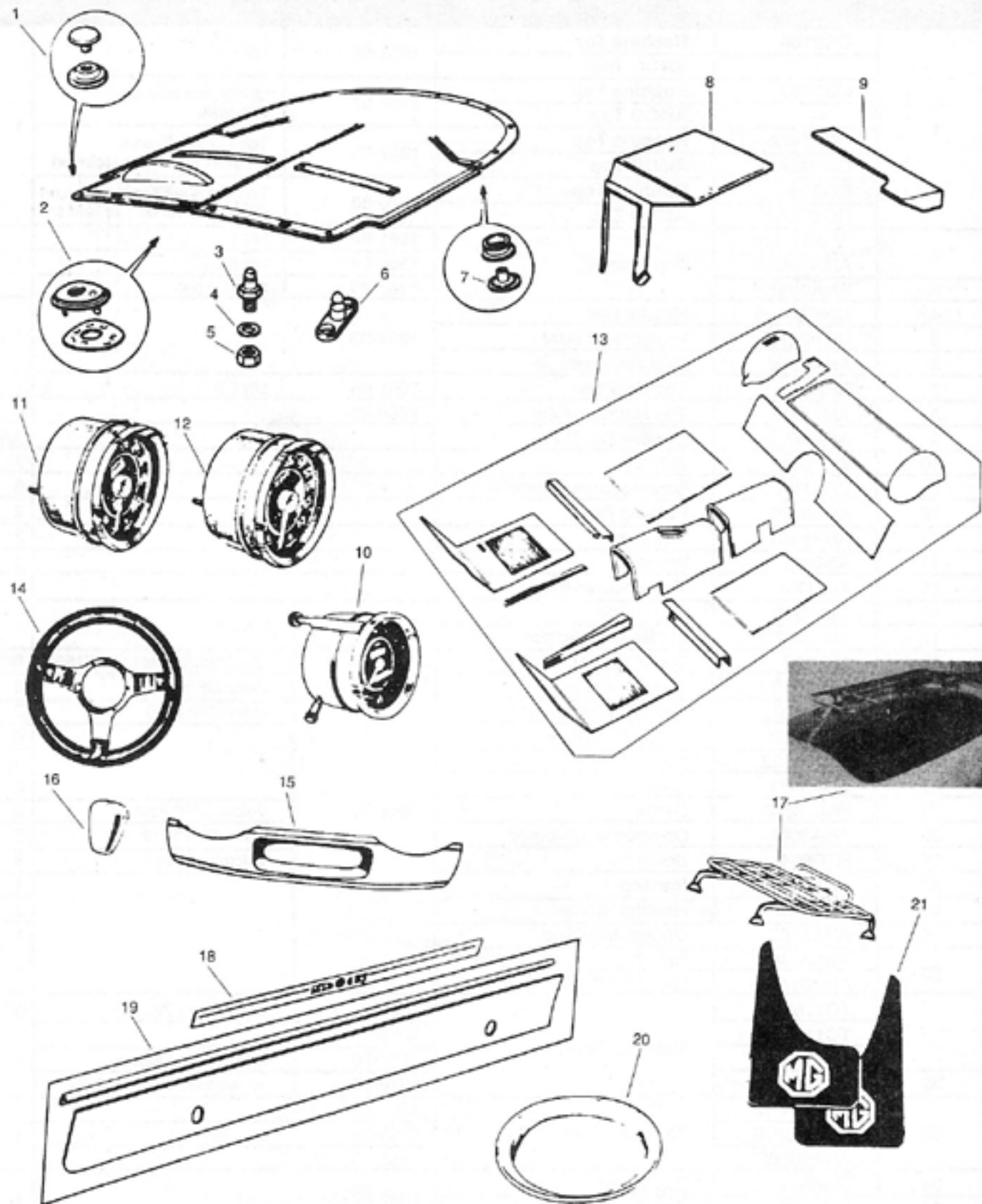


MIDGET

CONVERTIBLE TOPS, HARDTOPS AND TONNEAU COVERS

Ill No.	Part No.	Description	Year	Remarks	Qty.
1	CG2166	Robbins Top	1961-64	MK I	1
	---	AMCO Top			
	CG2167	Robbins Top	1964-67	MK II-Cars w/Roll Up Windows	
	---	AMCO Top			
	CG2167A	Robbins Top	1967-70	Top Folds w/Frame 8-Tenax Fasteners Included	
	CGV1222	AMCO Top			
CG2168	Robbins Top	1970-80	Top Folds w/Frame-Velcro on Corners-6-Tenax Fasteners		
CGV1242	AMCO Top				
2	AHA5768/9	Top Frames	1961-64	MK I	1
	AHA7645/6		1964-66	MK II	
	AHA9051		1966-80	MK III, 1500	
3	AHA9051	Header Rail			
4	MHR86	Header Rail Seal	1964-80		1
5	BHH2273	Header Rail Seal			
6	AHA7350	Seal Retainer			
7	BHH101	Top Back Bar	1961-66	MK I, II	1
8	AHA8185	Top Retainer-Rear	1966-80		1
9	ADB4811	Durable Dot-Male			A/R
10	ZCT605	Screw			7
11	SF604061	Screw-Frame-Header Rail			6
12	AHA8295	Packing Piece			2
13	AHA8491	Top Catch			2
14	53K126	Screw			4
15	14B1730	Top Retainer-Rear			2
16	14A6536	Turnbutton	1961-66	MK I, II	2
17	14A6537S	Eyelet and Washer			
18	TFS106	Tenax Socket	1966-80	Qty. Reduce- late 1275/1500	8/6
19	TFP1010	Tenax Peg-Long		Early 1275 only	2
20	14B7889	Domed Nut-Chromed		use w/TFP1010	2
21	AHA8369	Tenax Peg-Short			6
22	AJD8012Z	Nut			6
23	AHA9054	Velcro			2
24	RMP1212	Screw		Velcro & "B" Post	2
25	AHA9061	Domed Nut-Chromed		use w/RMP1212	2
26	RTP604	Screw		Velcro to Body-Rear	2
27	MGH002	Hardtop			1
28	AHA8082	Hardtop Bracket		2	
29	AHA9167	Cockpit Moulding		1	
30	AHA8140	RH	Finisher		1
	AHA8141	LH			
32	TC1166	Tonneau Cover	1962-65	w/(SZ) Side Zippers	67
	TC1167		1965-67		
	TC1167A		1967-70	w/(SZ) Side Zippers	
	TC1168		1970-80	w/Headrest, Pockets & SZ	
33	AHA6011/2	Tonneau Rails	1962-64		1
	AHA7701/2		1964-66		
	AHA9086/7		1966-80		
34	CHA811	Top Cover	1966-80		1
35	CHA128	Top Cover Bag			

**MIDGET
CONVERTIBLE TOP HARDWARE**



**MIDGET
CONVERTIBLE TOP HARDWARE**

Ill No.	Part No.	Description	Year	Remarks	Qty.
1	7H9866S	Durable Dot Female			A/R
2	LFS100S	Lift the Dot Fastener			A/R
3	97H717	Lift the Dot Peg			3 or 4
	BHA5009	Smaller Peg			
4	WL700101	Washer			3 or 4
5	GHF206	Nut			3 or 4
6	LFP116	Lift the Dot Peg			A/R
7	7H9868	Durable Dot Base			A/R
8	CHA127	Tonneau Bag	1966-80		1
9	AHA9160	Tonneau Rail Bag			1

GAUGES

10	BF2226/00	Fuel Gauge	1972-78	1
	BF2239/01		1978-80	
11	SN5226/06	Speedometer	1969-72	1
	SN5234/00		1978-11/78	
	SN5234/02		12/78-80	
12	RVI1439/01	Tachometer	1972-10/72	1
	RVC1410/01F		11/72-6/75	
	RVC1410/00F		7/75-78	
	RVC1414/00F		1978-11/78	
--	BHA4900	Safety Gauge-Temp. & Oil Pressure	1972 On	1

CARPET KITS (MADE IN USA)

13	MID1601*	Carpet Kit (Cut Pile)	1961-68	Black	1
	MID1621*			Saddle	
	MID2801		1968-76	Black	
	MID2820			Saddle	
	MID3801		1976-80	Black	
	MID3820			Saddle	

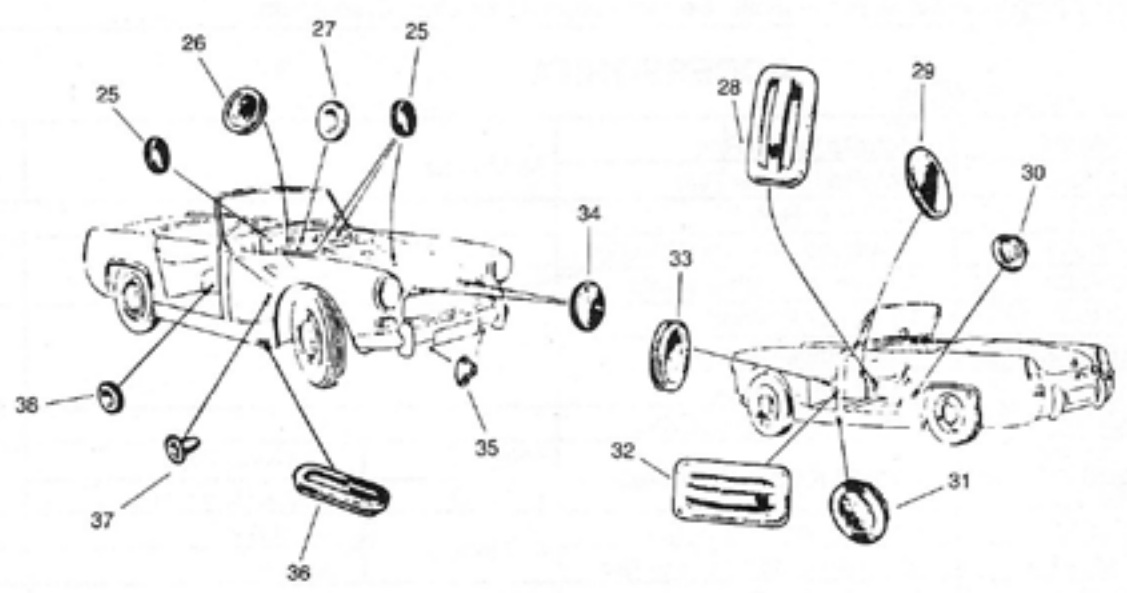
*Manufactured in loop material as per original. See also page 93 for other Carpet Kits.

ACCESSORIES

14	MSW001	Motalita Wood Rim	All Models	1	
	MSW002	Motalita Leather Rim			
15	MGM3	Spoiler-G.R.P.		1	
16	MGK001	Gearknob-Wood w/MG Logo		1	
	MGK002	Gearknob-Leather w/MG			
17	MBR001	Trunk Rack-Wood		1	
	MBR002	Trunk Rack-Chrome			
	MBR003	Trunk Rack-Black			
18	AKP102	Kick Plate-Stainless Steel	Pair	1	
19	ASC101	Oversill Kit-Stainless Steel	1962-75	Single Hole-Pair	1
	ASC102		1975-80	Double Hole-Pair	
20	MWE002	Wheel Trim Kit-Stainless		Set of Four	1
21	SCM101	Mudflaps-Raised Logo-Pair	All Models	Rubber	2
---	MRC003	Alloy Rocker Cover	1975-80	1500	1

BODY

**MIDGET
STICKERS-DECALS, GROMMETS**



BODY

**MIDGET
STICKERS-DECALS, GROMMETS**

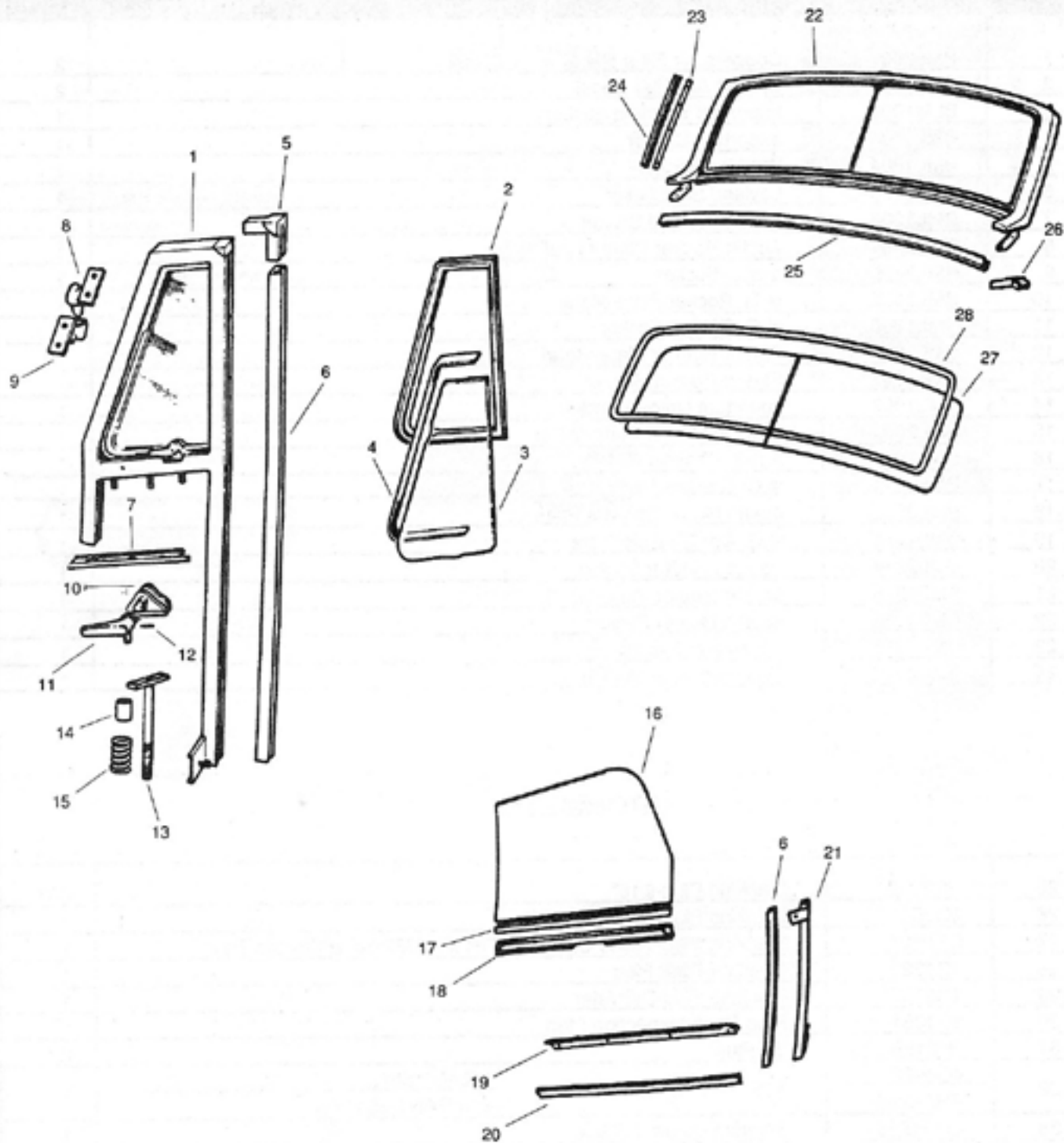
Ill No.	Part No.	Description	Year	Remarks	Qty.
1	BML2001	Coopers Air Filter Decal	1962	MK I	2
2	BML1013	Unipart Air Filter Decal			2
3	BLM1009	Important Warning Sticker			1
4	BML1008	Important Sticker			1
5	BML1004	Warning Sticker			1
6	BML2003	Leyland S/T Sticker			1
7	BML1006	British Leyland Sticker			1
8	BML2004	Austin-Rocker Plate-Metal			1
9	BML2005	Austin-Sticker			1
10	BML2006	M.G. Rocker Plate-Metal			1
11	BML1005	M.G. Rocker Sticker			1
12	BML2007	Patent-Rocker Plate-Metal			1
13	BML1007	Patent-Rocker Sticker			1
14	BML1003	Important Unipart Sticker			1
15	BML2009	Caution-Heater Plate-Metal			1
16	BML2010	Austin Chassis Plate			1
17	BML2011	M.G. Chassis Plate			1
18	BML2012	Austin Morris Chassis Plate			1
19	BML1011	M.G. Car Chassis Plate			1
20	BML2014	Caution-Heater Sticker			1
21	BML2015	Smiths Heater Plate-Metal			1
22	BML2016	Smiths Heater Sticker			1
23	BML2017	S.I. Heater Sticker			1
24	BML2018	This Plug Must Not Be			1

GROMMETS

25	RFR210	Blanking Plug-9/16"			A/R
26	4G2541	Blanking Plug			1
27	CFP625	Blanking Plug-Tacho Cable	Fits MK I Midget w/Electric Tach		1
28	4G4920	Gearbox Filler Plug			1
29	4G9763	Blanking Plug-Demister			1
30	4G1851	Prop Shaft Inspection Plug			1
31	2H8198	Sill Plug			2/4
32	4G4920	Toe Box Plug	to GAN1-6643		1
	AHA6296		from GAN1-6644 on		
33	BHA4536	Steering Column Blank			1
34	RFN216	Mudshield Grommet			2
35	AAA1645	Bumper Iron Grommet			2
36	4G6957	Sill/Slingsing Plug			2
37	ADA2493	Blanking Plug-Footwell	When Heater or Fresh Air Unit not Fitted		A/R
38	RFN207	Blanking Plug-Seat Belt	When Seat Belts not Fitted		2

BODY

**MIDGET
GLASS & RUBBER SEALS ECT.**



BODY

**MIDGET
GLASS & RUBBER SEALS ECT.**

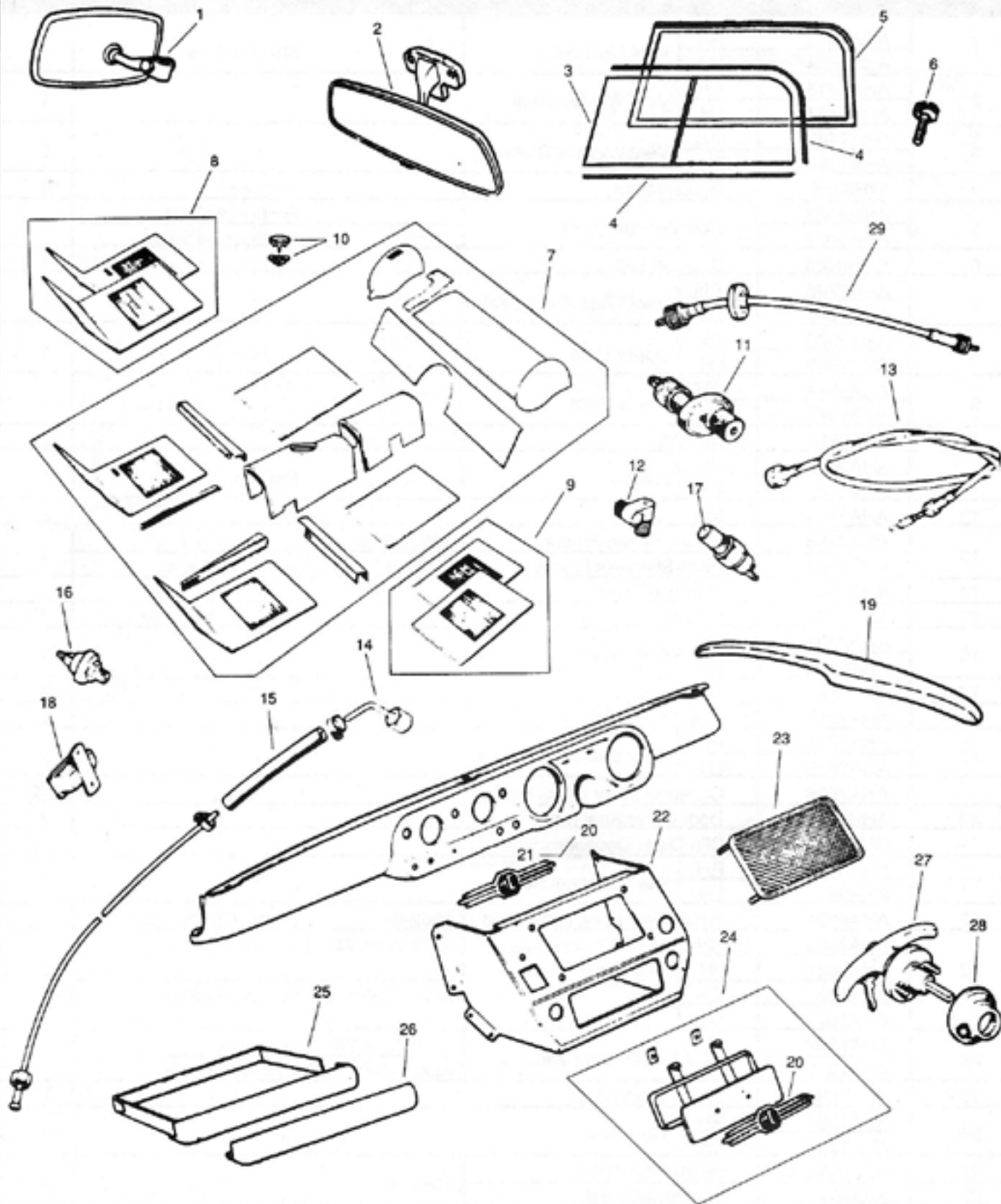
Ill No.	Part No.	Description	Year	Remarks	Qty.
1	AHA9973	RH		Stainless Only	1
	AHA9974	LH			
2	AHA7416	RH			1
	AHA7417	LH			
3	AHA7482	RH			1
	AHA7483	LH			
4	27H8705	Glazing Seal		19" Long	2
5	AHH8935	Vent Window Block		For Chrome Vent	2
	AHH9986			For Stainless Vent	
6	AHH8405	Channel Felt			4
7	AHA7746	RH			1
	AHA7747	LH			
8	AHA9982	RH			1
	AHA9983	LH			
9	AHA9984	RH			1
	AHA9985	LH			
10	37H4347	Bracket			2
11	AHA8446	RH		Flat Type	1
	AHA8447	LH			
12	AHA7474	Pin			2
13	AHA7468	Pivot-Chrome Frame	1962-721/2	up to c#121649	1
	AHA9981	Pivot-Stainless Frame	19721/2-80	from c#121650 on	
14	AHA7467	Distance Tube			2
15	AHA7544	Spring			2
16	AHA8431	RH			1
	AHA8432	LH			
17	37H4297	Glazing Seal			2
18	AHA7042	Lower Channel			2
19	AHA7634	RH			1
	AHA7635	LH			
---	AHA7838	Clip-Inner Door Glass Seal			12
20	AHH7848	Door Glass Seal-Inner			2
---	GHF1560	Clip-Outer Doorglass Seal			14
21	AHA8405	RH			1
	AHA8406	LH			
22	AHA9681	Windshield Assy. Laminated	1962-64	(FCW79CL Glass Only)	1
23	AHA7080	RH	1962-Aprx.'75	to c#201652	1
	AHA7081	LH			
	CHA666	RH	Aprx. '75-80	from c#201653 on	
	CHA667	LH			
24	AHA7092	Seal Screen Vent Wind.	1962-Aprx.'75	to c#201652	1
	27H4300		Aprx. '75-80	from c#201653 on	
25	AHA7698	Seal Frame/Body			1
26	AHA7093	RH			1
	AHA7094	LH			
27	FCW170SX	Windshield-Tinted			1
28	88G455	Windshield Seal	1964-80		

Note: If no year or model is mentioned part number fits all Midgets from 1962-80.

BODY

MIDGET

GLASS, RUBBER SEALS, CARPET KITS, DASHBOARDS, TRUNK LOCKS



BODY

MIDGET

GLASS, RUBBER SEALS, CARPET KITS, DASHBOARDS, TRUNK LOCKS

Ill No.	Part No.	Description	Year	Remarks	Qty.
1	BHA4806	Interior Mirror	1964-70		1
2	BHA4960		1970-80		
3	AHA6509 AHA6510	RH LH	Plexi-sliding	(Sold as Pair)	1
4	AHA5420	Felt Track		1962	
5	AHA6505 AHA6506	RH LH	Outer Seal	To suit AHA6509 To suit AHA6510	1
6	AHA5263	Clamping Screw			
7	CK202	Carpet Kit-State Color	1962-64	MK I	1
	CK203		1964-66	MK II	
	CK204		1966-80	1275/1500	
8	CK206	Footwell Only-State Color	1962-80	Sold as Pair	1
9	MHM003	Footwell Mats-Rubber			
10	2H8445S	Carpet Clip			A/R

*When ordering carpets by number please state color. The colors available for the models and the suffix to add are as follows. Midget MK I, II-Black = A, Red = M, Green = G and Blue = L. The colors available for 1275/1500 are Black = A, Navy = N, Autumn Leaf = K, Ochre = T, and Beige = X. The footwell carpets are sold as a pair, available in all the above colors the suffix as above. An order for a carpet kit for a MK II in Blue becomes CK203L. An order for a pair of footwell carpets in Red becomes CK206M.

NOTE: Also on page 86

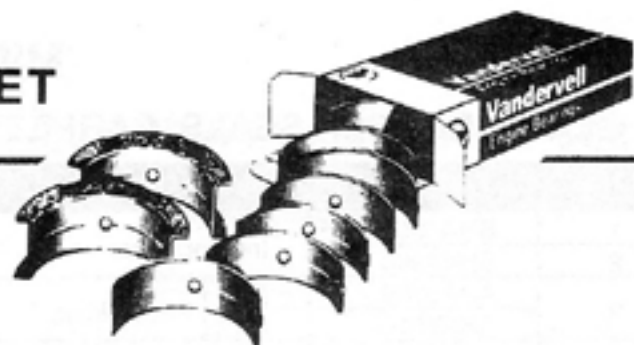
Dashboards, Cables and Trunk Locks

11	13H632	Gear Box			1
12	BHA4794	Speedo Angle Drive	1975-78	up to c#200000	1
	GSD145	Speedo Cable-3'11"	1962-75	to c#154100	
	BHA5370	Speedo Cable-GBX to Interval Counter-3'9"	1975-77	c#154101 to 188000 (except Calif.)	
	BHA5373	Speedo Cable-Interval Counter to Speedo-1'4"			
	AAU3499	Speedo Cable-6'3"	1977	from c#188001 to 200000 (Except Calif.)	
	GSD338	Speedo Cable	1978 on 1979 on	USA c#212001 on (Except Calif.)	
14	AHA6392	Oil Pipe Connection			1
15	CHA600	Oil Hose			1
16	GPS101	Oil Pressure Sender		1500 from c#200001 on	1
17	GTR108	Temperature Sender			1
18	BHA4602	Voltage Stabilizer	1966-80	from c#60459 on	1
19	19-750*	Coverlay-Dash Top	1968-80		1
20	AHH5258	Dashboard Emblem			1
21	ADB509	Clip-Emblem			2
22	CHA59	Radio Console	1973-80		1
23	BHA4823	Bezel			1
24	ARH59A	Radio Blank Assy.			1
25	AHA8275	Parcel Shelf			1
26	AHA7541	Parcel Shelf Moulding			1
27	AHA6357	Trunk Lock			1
28	ALA2466	Trunk Lock Gasket			1
29	BHA4086	Tacho Cable 25"			1

*Coverlays are contoured dash covers made of molded plastic and are designed to be quickly installed on top of your original dash. Easy to follow instructions make it possible for car owners to install Coverlays without special tools or mechanical skills. Since the Coverlay fits over the original dash, instrument removal is not required. Coverlays come complete with instructions and glue.

QUICK REFERENCE

MIDGET



ENGINE BEARINGS & THRUST WASHERS

Model & Year	Mfg.	Rod Bearings	Main Bearings	Cam Bearings	Thrust Washers
Midget 1961-62 948	Vandervell	VPR572	VPM592	VPC956	VPW151STD
	AE	B4302SA	---	C3063S	---
Midget 1963-64 1098	Vandervell	VPR572	VPM733	VPC956	VPW81STD
	AE	B4302SA	M3314LC	C3063S	W2122LCSTD
Midget 1965-74 1098 & 1275	Vandervell	VPR572	VPM91120	VPC956	VPW41STD
	AE	B4302SA	M3337SA	C3063S	W2136LCSTD
Midget 1975-79 1500	Vandervell	VPR91611	VPM91612	---	VPW12STD
	AE	B4511SA	M3385SA	---	W2171SSTD

Rod and Main Bearings are available in Std., .010, .020, .030, .040.



PISTONS & RINGS



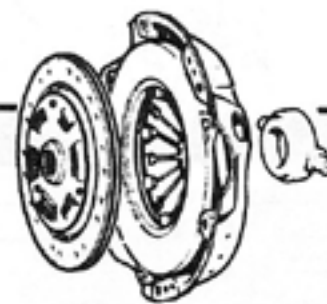
Model & Year	Compression Ratio	Piston Part No.	No. Rings Per Piston	Ring Set
Midget MK I 1961-62 948cc	9.0:1	18519/KR	---	---
Midget MK I, II 1098cc 1963-66	9.5:1	18520/KR	4	RA33136/K
Midget MK I, II 1098cc 1963-66	8.9:1	16179/PEP	5	RA17927
Midget MK III 1275cc 1967-74	8.8:1	21251	3	RA33146/K
Midget MK III 1275cc 1967-74	9.7:1	20747/KR	4	RA21576/VI
Midget 1500 (Non-Calif) 1975-79	9.0:1	20139	3	RA33196/K
Midget 1500 (Calif) 1975-79	7.5:1	19708	3	RA28656

GASKETS

Model & Year	Head Gasket	Head Set	Conversion Set	Oil Pan Gasket	T/C Gasket	V/C Gasket	Intake Exhaust Gasket
948cc 1961-62	TAF070	TCF070	TEF070	THC048	12A956	AJM401	TJA439
1098cc 1963-64	TAF070	TCF070	TEF070	THC048	12A956	AJM401	TJA439
1098cc 1965-66	TAF070	TCF070	TEF070	THC048	12A956	AJM401	TJA439
1275cc 1967-74	TAF470	TCF473	TEF460	THC063	12A956	AJM401	TJA439
1500cc 1975-79	TAK260	TCK261	TEG091	TJH445	TJR147	TJM261	TJA502

QUICK REFERENCE

MIDGET



CLUTCH (INDIVIDUAL PIECES AND KITS)



Model & Year	Quinton Hazel 3-Pieces Listed Separately	Quinton Hazel Kit	Borg & Beck Kit	Laycock Kit
Midget 1098 cc 1962-67	Q60007	---	---	---
	C394S	---	---	---
	CC82	---	---	---
Midget 1275 1967-75	Q10005	---	---	---
	C801S	QKT186	---	---
	CC82	---	---	---
Midget 1500 1975-80	Q10024	---	---	---
	C878S	QKT187	HK4978	---
	CCT70	---	---	---

Note: Kits include all three pieces, clutch cover, plate & throw-out bearing.

TECHNALON CAR COVER



- Protect your fine car finish from the blistering sun; from dust, dirt, tree droppings and industrial pollutants. Minimize fading of upholstery.
- Hi-tech 3-ply polypropylene Evolution "3" fabric — the most rain-resistant "breathable" car cover on the market.

Polycotton CAR COVER

- Mildew resistant fabric breathes to allow moisture to evaporate
- Double-stitched seams
- Neoprene elastic in hems hold car cover in place
- Folds compact for easy storage

CABLE & LOCK Protects your car and cover from theft.



CAR COVERS

Model	Year	Polycotton	Technalon	Lock On	Bag
MGA, MGB, MGC, Midget	All	C50001	C80001	ZCBL	ZBAG

SEAT SAVERS

Model & Year	Description	Color	Part No.	Qty.
Midget 1970-79	Seat Savers	Dark Blue	SS42PCBL	1
		Tan	SS42PCTAN	
		Black	SS42PCBK	

WINDSHIELDS

Model & Year	Description	Part No.
Midget MK I 1961-65	Windshields	FCW79CL
Midget 1965-80		FCW170SX

QUICK REFERENCE

MIDGET CARB KITS



Model & Year	Carb Model	Part No.	Qty.
MGTC, TD, TF 1949-53	SU H2	SU851	2
MGA 1500 1955-59	SU H4	SU132	2
MGA 1600 1959-62	SU H4	SU664	2
Midget 948cc 1961-63	SU HS2	SU764	2
Midget 1098cc 1963-65	SU HS2	SU332	2
Midget 1098 & 1275cc 1965-68	SU HS2	SU800	2
Midget (AUD328, 404 Carbs) 1968-71	SU HS2	SU17	2
Midget (AUD502, 549 Carbs) 1971-75	SU HS2	SU18	2
Midget 1500 (Zenith CD-4T) 1975-80	Zenith 150CD-4T	ZE14K	1
MGB 1962-68	SU HS2	SU554	2
MGB/GT 1800 1968-71	SU HS4	SU864	2
MGB (AUD326,405 Carbs) 1968-72	SU HS4	SU13	2
MGB (AUD465 Carb) 1972	SU HS4	SU14	2
MGB (AUD493 Carb) 1972	SU HIF4	SU15	2
MGB (AUD550 Carb) 1972-75	SU HIF4	SU16	2
MGB1975-80	Zenith 150CD-ST	ZE15K	1
MGC 1967-69	SU HD8	SU324	2



Lucas Electrical

UNIPART

WIRE SETS

Model & Year	Lucas	Unipart
Midget 1962-75	HP752	---
Midget 1975-80	HP745	GHT152

SHOCK ABSORBERS



KONI



Model	Year	Front	Rear	Bracket
Midget	1965-75	---	80-1696	5-332A

Note: A bracket kit is required for all rear shocks.

LITERATURE

MIDGET



X023..... Midget 948cc & 1098cc Workshop Manual

X027..... Midget 1275cc Workshop Manual 1967-75

X131..... Midget 1500 Workshop Manual 1975-80

YMP3..... Midget Mk 2 & Mk 3 Parts Catalog

Robert Bentley is the factory authorized publisher of British Leyland Service and Repair Manuals in the United States and Canada. Each publication includes the Workshop Manual, the Drivers Handbook, and substantial additional information collected and organized by Robert Bentley automotive engineers, including emission control supplements and special tuning manuals when applicable and available.

SENDING UNITS



Application & Year	Oil Pressure Transmitter for Oil Gauge	Oil Pressure Switch for Warning Light	Oil Pressure Switch for Anti-run on Valve	Water Temperature Transmitter
Midget to 19761/2	N/R Models Have Safety Gauge	N/R Models Have Safety Gauge	N/R	N/R Models Have Safety Gauge
Midget 19761/2-78			GPS114	
Midget 1978-80	N/R No Gauge	MOS125	GPS120	MTS140

Safety Gauges can be identified by having no electrical connections. They give direct readings of oil pressure and water temperature via capillary tubes.
N/R = Not Required.

INDEX

Accelerator Pedal.....	43-44	Door Filings.....	81
Accessories.....	87	Drive Shaft.....	23
Air Pump.....	50	EGR Valve.....	50
Air Pump Belt.....	50	Emblems.....	75
Alternator.....	59	Emission Control.....	50
Anti-Backfire Kit.....	49	Engine Mounts.....	14
Anti-Roll Bar.....	29	Exhaust.....	51
Badge.....	75	Exhaust Manifold.....	49, 51
Battery.....	67	Expansion Tank.....	53, 54
Bearings, Engine.....	3, 94	Fan Belt.....	53
Bearings, Wheel.....	23	Fan Blade.....	53, 54
Body Moulding.....	81	Fan Clutch.....	54
Body Panels.....	73, 75	Fender.....	73
Brake Drum.....	39, 41	Filter, Air.....	47
Brake Fluid.....	98	Filter, Fuel.....	17
Brake Master Cylinder.....	35, 37	Filter, Oil.....	3, 9, 17
Brake Pads.....	39	Flange, Driveshaft.....	23
Brake Rotor.....	39	Flywheel.....	11
Brake Shoes.....	39, 41	Fuel Pump.....	45
Brake Tools.....	98	Fuel Tank.....	45
Bumpers.....	79	Fuse Box.....	59, 63
Cable, Accelerator.....	43	Gaiter, Gearshift.....	21
Cable, Battery.....	67	Gas Cap.....	45
Cable, Choke.....	43-44	Gasket, Exhaust Manifold.....	94
Cable, Speedo.....	93	Gasket, Head.....	9, 11, 94
Caliper Assy.....	35, 37, 39	Gasket, Intake.....	94
Cam Gear.....	5, 7	Gasket, Manifold.....	47
Camshaft.....	7, 11	Gasket, Oil Pan.....	3, 9, 11, 94
Car Covers.....	95	Gasket, Timing Cover.....	94
Carb. Kits.....	96	Gasket, Valve Cover.....	94
Carbon Canister.....	50	Gauges.....	87
Carburetors.....	47, 49	Gearbox.....	18-21
Carpet Kits.....	87, 93	Gearbox Mounts.....	14
Check Valve.....	50	Gearshift Knob.....	21
Cigar Lighter.....	63	Generator.....	59
Clutch.....	16, 95	Glass.....	91, 93
Clutch Master Cylinder.....	33	Grille.....	75
Clutch Slave Cylinder.....	33	Grommets.....	60, 89
Coil.....	65	Groze Jet.....	49
Condenser.....	65	Handbrake.....	42
Connecting Rod.....	5	Hardtop.....	85
Contact Set.....	65	Head Assy.....	13
Convertible Top.....	85	Head Stud.....	5, 9
Convertible Top\ Hardware.....	87	Headlamp Assy.....	69
Courtesy Lamp.....	71	Heater Assy.....	57
Crank Gear.....	7	Heater Motor.....	57
Crankshaft.....	13	Heatshield.....	47
Crankshaft Gear.....	5	Hood.....	75
Damper Assy.....	49	Horn Push.....	25
Dashboards.....	93	Hose, Brake.....	35, 37, 39
Decals.....	89	Hose, Clutch.....	33
Dipstick.....	5, 11	Hose, Heater.....	57
Distributor.....	65	Hose, Radiator.....	53

INDEX

Hub Assy.....	29	Seat Cover.....	83
Hub Caps.....	24	Seat Savers.....	95
Ignition Switch & Lock Assy.....	25	Sending Units.....	97
Inlet Manifold.....	49	Shocks.....	27, 31, 96
Intake Manifold.....	47, 49	Sill, Rocker Panel.....	77
Interior.....	83	Spark Plugs.....	13, 65
Interior Mirrors.....	93	Speedo Gear.....	19
King Pin.....	27	Starter.....	59
Lamps.....	69, 71	Steering Wheel.....	25
Laygear.....	19	Stickers.....	89
Layshaft.....	19, 21	Sun Visors.....	83
Lenses.....	69, 71	Switches.....	61, 63
License Plate Lamp.....	71	Synchro Rings.....	19, 21
Lifter.....	3, 7	Tappet, Lifter.....	3, 7
Literature.....	97	Temperature Sender.....	93
Lock Tab.....	7	Thermostat.....	54
Locks.....	81	Thrust Washers, Engine.....	94
Lumenition Kits.....	60	Tie Rod Ends.....	25
Mainshaft.....	19	Timing Chain.....	3, 7, 11
Metering Needle.....	49	Tonneau Covers.....	85
Mirrors.....	81	Tools.....	24
Number Plate Panels.....	77	Trunk Lamp.....	71
Oil Cooler.....	15	Trunk Lid.....	75
Oil Cooler Pipes.....	15	Trunk Locks.....	93
Oil Pan.....	11	Trunnion.....	27
Oil Pump.....	3, 7, 11	U-Joint.....	23
Oil Relief Valve.....	7, 11	Valance.....	77
Oil Seal, Timing Cover.....	3	Valve Guides.....	3
Oil Sender.....	93	Valve Springs.....	3
Overrides.....	79	Valves, Engine.....	3, 9, 11
Pilot Bushings.....	3	Valves, Heating.....	57
Pistons.....	94	Warning Lights.....	63
Push Rod.....	5, 7	Washer Bottle.....	67
Rack & Pinion.....	25	Washer Pump.....	67
Radiator.....	53-54	Waterpump.....	53-54
Radiator Cap.....	53	Wheel Arch.....	77
Radius Arm.....	31	Wheel Bearings.....	23
Regulator.....	59	Wheelbox.....	67
Relays.....	63	Windshield Wipers.....	67
Relief Valve.....	3	Windshield Washers.....	67
Repair Panels.....	77	Windshield Wiper Motor.....	67
Ring & Pinion.....	23	Windshields.....	95
Ring Gear.....	3, 5	Wiper Arm.....	67
Rings.....	3, 94	Wiper Blade.....	67
Road Wheels.....	24	Wire Sets.....	65, 96
Rocker Arm.....	11	Wiring Harnesses.....	60
Rocker Panel.....	77		
Rocker Shaft.....	9, 11		
Rod Bolt.....	7		
Rod Nut.....	7		
Rotor.....	65		
Rubber Seals.....	91, 93		
Seat Belts.....	83		