

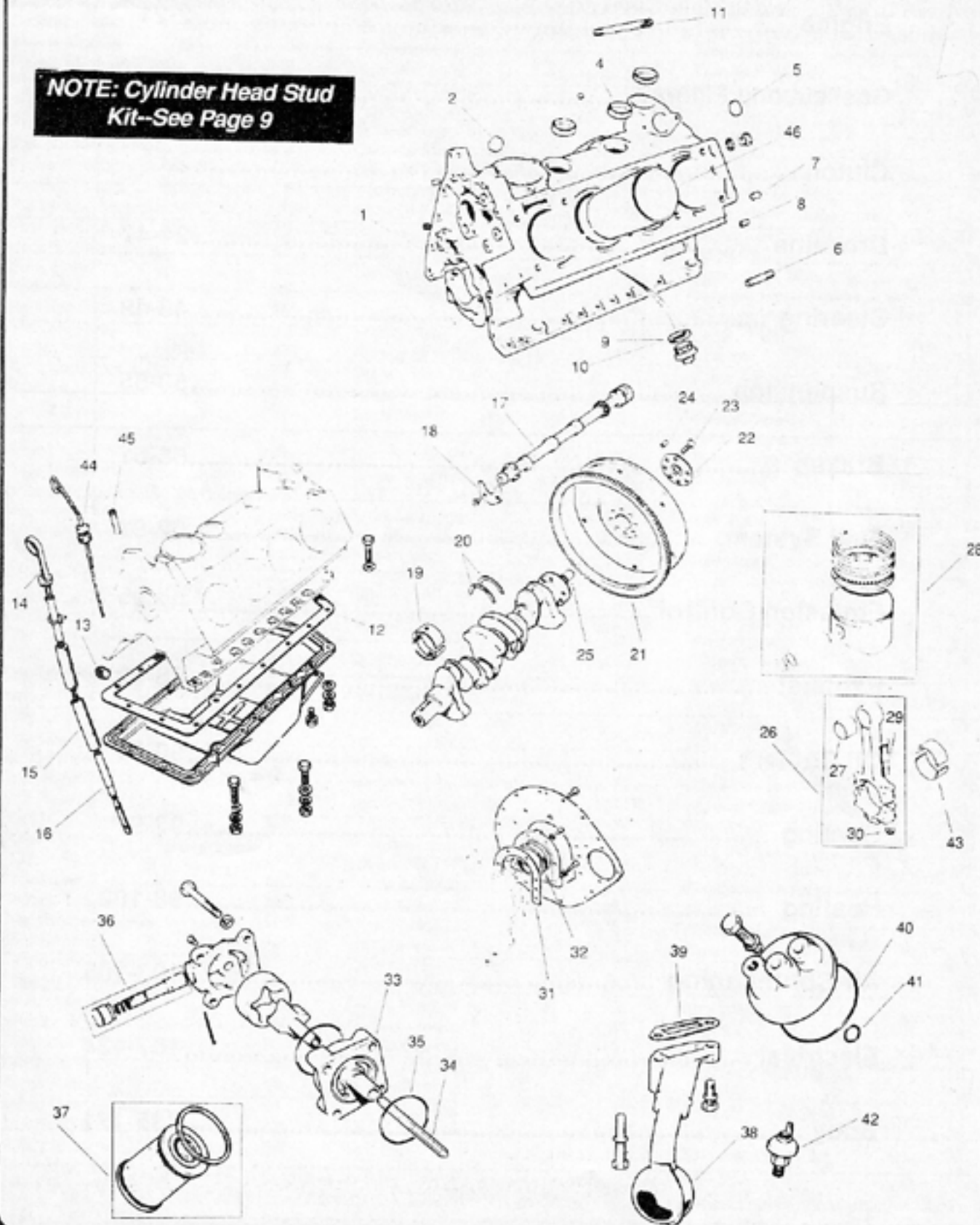
## TABLE OF CONTENTS

Engine .....	2-21
Gaskets and Filters .....	22
Clutch .....	23
Driveline .....	24-47
Steering .....	48-49
Suspension .....	50-55
Brakes .....	56-61
Fuel System .....	62-81
Emission Control .....	82-87
Exhaust .....	88-89
Oil Coolers .....	90-91
Cooling .....	92-97
Heating .....	98-102
Air Conditioning .....	103-106
Electrical .....	107-134
Body .....	135-171
Addendum.....	172
INDEX.....	173-175

ENGINE

TR7  
ENGINE BLOCK DETAILS

**NOTE: Cylinder Head Stud Kit--See Page 9**



ENGINE

TR7  
ENGINE BLOCK DETAILS

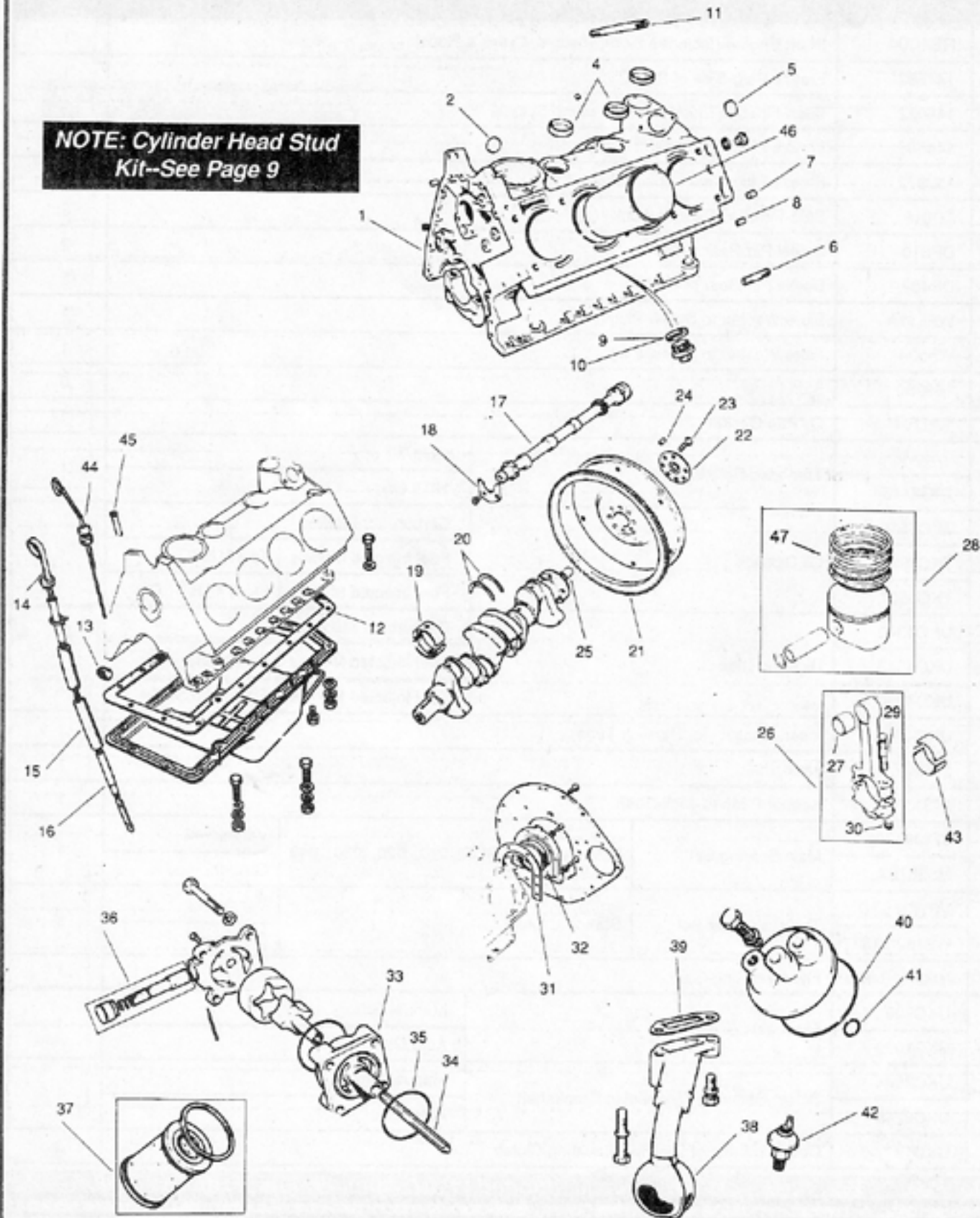
Ill. No.	Part No.	Description	Qty. Req'd	
1	RB1004	Short Engine-(Includes Block, Pistons, Crank & Rods)	1	
2	144687	Freeze Plug-Side of Block	1	
-	145022	Bush-Fitted in Block for Waterpump Spindle	1	
4	144688	Freeze Plug-Top Face of Block	3	
5	153972	Freeze Plug-Rear Face of Block	1	
6	TD818	Stud-Fitted to Rear of Block	2	
7	DP610	Dowel Pin-Rear of Block	2	
8	DP408	Dowel Pin-Rear of Block	2	
9	WF511A	Fibre Washer to Screw Plug	1	
10	WF534	Fibre Washer to Screw Plug	1	
11	159080	Stud	5	
12	TJH104	Oil Pan Gasket	1	
13	----- 22G2115	Threaded Plug In Block	1975-79 1979 On	1
14	TKC5515 TKC5655 TKC6507	Oil Dipstick	Carburettor Models Fuel Injected Models To 401630 Fuel Injected Models From 401631 On	1
15	UKC4348 UKC4349 UKC4350	Dipstick Tube	Carburettor Models Fuel Injected Models To 401630 Fuel Injected Models From 401630 On	1
16	UKC4763	Insert (Plastic) for Dipstick Tube		1
17	215207	Jack-Shaft		1
18	143139	Keeper Plate to Jack-Shaft		1
19	VPM91308 M5267SA	Main Bearing Set	Sizes Available-STD, .010, .020, .030, .040 Vandervell Glacier	1
20	VPW24STD W2182SASTD	Thrust Washer Set	Standard Only Vandervell Glacier	8
21	N142/12/14NER	Flywheel Ring Gear		1
22	UKC998 UKC1099	Flywheel Lockplate	Manual Gbx. Auto Gbx.	1
23	UKC3044 UKC6269	Screw-Securing Flywheel to Crankshaft	Manual Gbx. Auto Gbx.	1
24	UKC1937	Dowel in Face of Flywheel Locating Clutch		3

*If No Year, Engine #, or VIN # is Mentioned, Part Number Fits From 1975 thru 81.*

# ENGINE

## TR7 ENGINE BLOCK DETAILS

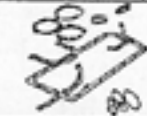
**NOTE: Cylinder Head Stud Kit--See Page 9**



# ENGINE

## TR7 ENGINE BLOCK DETAILS

Ill. No.	Part No.	Description	Qty. Req'd.
25	150763	Pilot Bushing	To Eng. # CG8894, CL36771, CV10
	UKC8154		Manual Gbx. From Eng# CG8895, CL36772, CU11 On
26	157874	Connecting Rod	4
27	157873	Small End Bush in Rod	4
28	19906	Piston-(Comes Complete W/Rings, Wrist Pin & Circlips)	8:1 9.25:1
	19985V1		Sizes available-STD, .010, .020*, .040
29	146034	Rod Bolt	8
30	EAC5541A	Rod Nut	8
31	143845	Gasket-Block to Rear Main Seal Housing	1
32	143148	Rear Main Seal	1
33	POL705	Oil Pump	1
34	144764	Shaft-Driving Oil Pump	1
35	145861	"O" Ring to Oil Pump	1
36	RTC2157	Oil Relief Valve Kit	1
37	GFE103	Oil Filter	Unipart
	FP3320		TJ
38	156859	Oil Suction Pipe	1
39	147458	Gasket to Oil Suction Pipe	1
40	144958	Large "O" Ring to Oil Transfer Adaptor	1
41	144959	Small "O" Ring to Oil Transfer Adaptor	1
42	MOS126	Oil Pressure Switch	1
43	VPR91307	Rod Bearing Set	Vandervell AE
	B4490SA		Sizes Available-STD, .010, .020, .030 Sizes Available-STD, .010, .020
44	UKC180	Dipstick (Short Style)	To Eng #CL28290 1
45	32307	Grommet	2
46	158700	Piston Liner	4
47	RA27466STD	Ring Set	1
See Below	TEB610	Lower Gasket Set	1

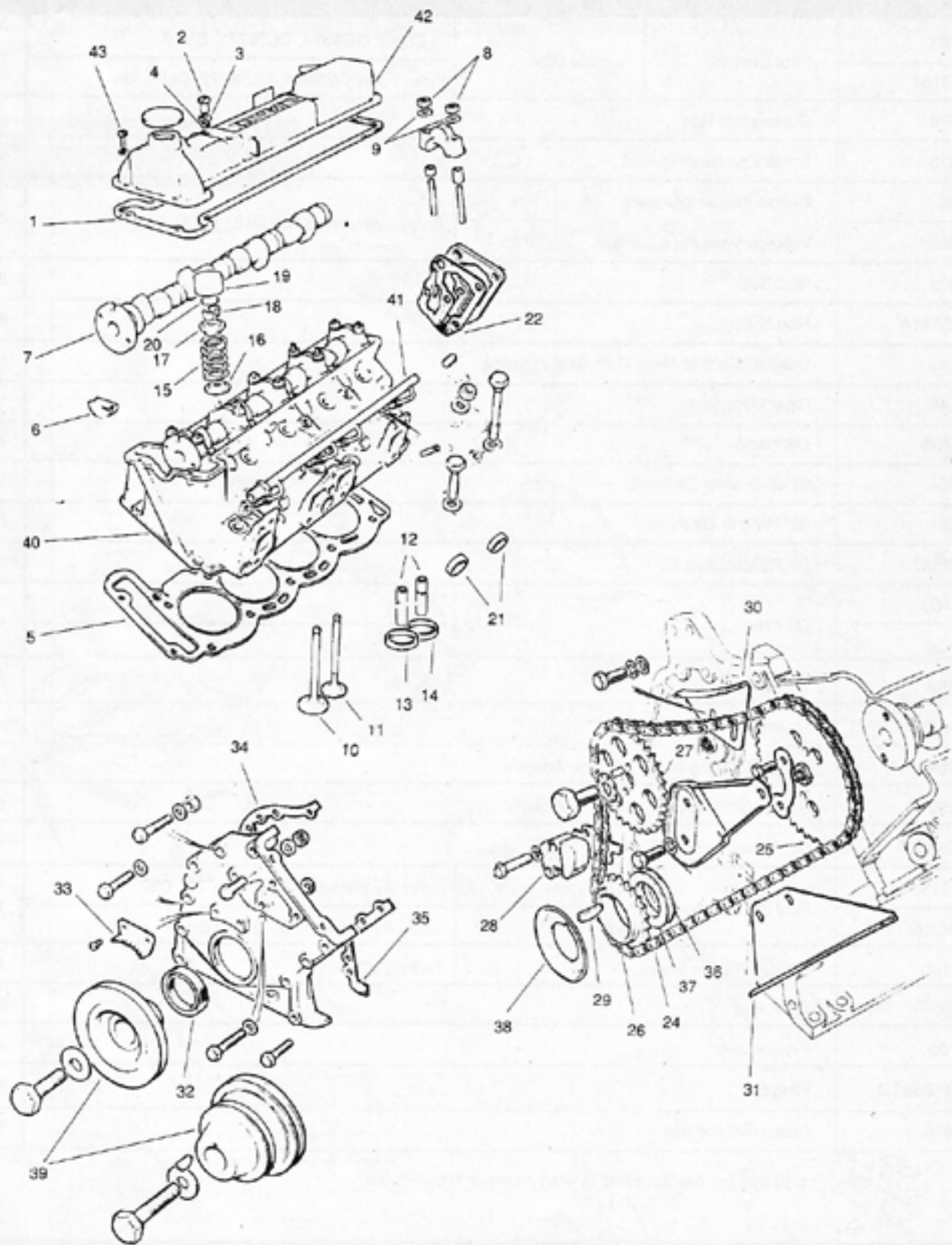


\*.030 Pistons Are Supplied By Part Number 19985/K.030

If No Year, Engine #, or VIN # Is Mentioned, Part Number Fits From 1975 Thru 1981.

**ENGINE**

**TR7  
CYLINDER HEAD & TIMING DETAILS**



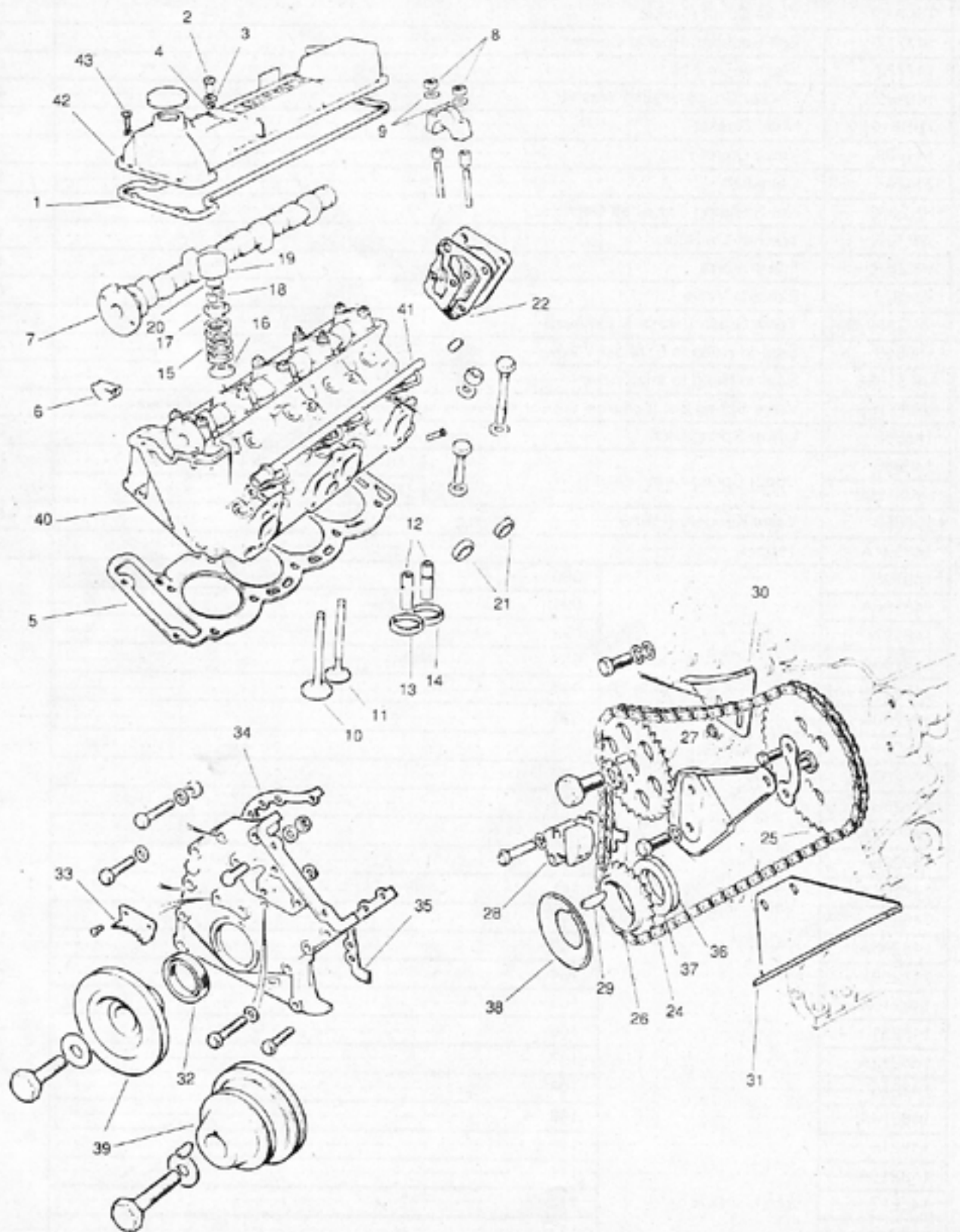
**ENGINE**

**TR7  
CYLINDER HEAD & TIMING DETAILS**

Ill. No.	Part No.	Description	Qty. Req'd.	
1	TJM552	Valve Cover Gasket	1	
2	147737	Bolt-Securing Rocker Cover	4	
3	147738	Washer-On Bolt	4	
4	148090	Rocker Cover Sealing Washer	4	
5	TBB610	Head Gasket*	1	
6	144488	Valve Cover Plug	2	
7	214643	Camshaft	1	
8	HN2008	Nut-Securing Camshaft Caps	10	
9	WP107	Washer-On Nuts	10	
10	V35058	Intake Valve	4	
11	V34377	Exhaust Valve	4	
12	VAG50998	Valve Guide-(Intake & Exhaust)	8	
13	150863	Seat-In Head to Exhaust Valve	4	
14	UKC1856	Seat-In Head to Inlet Valve	4	
15	VSP716S	Valve Spring Set (Complete Set Contains All Inner & Outer Springs Necessary for 1 Head)	8	
16	148885	Lower Spring Seat	8	
17	148886	Upper Spring Seat	1975-79	8
	UKC1902		1979 On	
18	106663	Valve Keepers-(Pairs)	8	
19	146594A	Tappet	8	
	148195		.090	A/R
	148196A		.091	
	148197		.092	
	148198A		.093	
	148199		.094	
	148200A		.095	
	148201		.096	
	148202A		.097	
	148203		.098	
	148204A		.099	
	148205		.100	
	148206A		.101	
20	148207	Valve Adjusting Shim	.102	
	148208A		.103	
	148209		.104	
	148210A		.105	
	148211		.106	
	148212A		.107	
	148213		.108	
	148214A		.109	
	148215		.110	
	148216A		.111	
	148217		.112	
	148218A		.113	

**ENGINE**

**TR7  
CYLINDER HEAD & TIMING DETAILS**



**ENGINE**

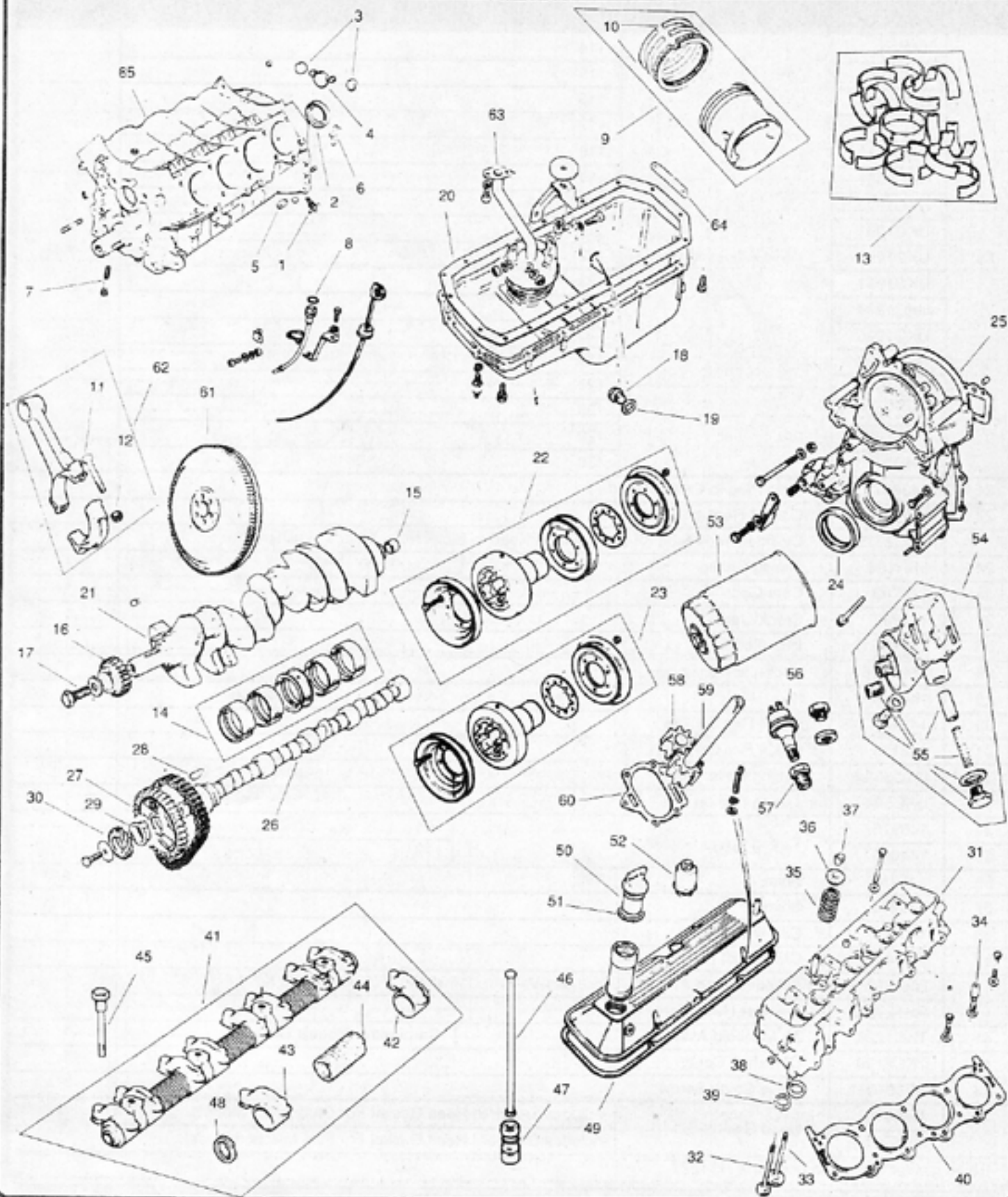
**TR7  
CYLINDER HEAD & TIMING DETAILS**

Ill. No.	Part No.	Description	Qty. Req'd.
20	148219	Valve Adjusting Shim	.114
	UKC1985		.115
	UKC1986		.116
	UKC1987		.117
	UKC1988		.118
	UKC1989		.119
	UKC1990		.120
	UKC1991		.121
	UKC1992		.122
	UKC1993		.123
	UKC1994		.124
	UKC1995		.125
	UKC1996		.126
	UKC1997		.127
UKC1998	.128		
UKC1999	.129		
UKC2000	.130		
21	143867	Core Plug In Side of Head	2
22	UKC3195B	Gasket-Rear of Head	1
--	RTC2375	Cylinder Head Stud Kit-(Contains all Head to Block Nuts, Bolts & Washers)	1
24	3SR106	Timing Chain	1
25	149789	Cam Gear	1
26	143257	Crank Gear	1
27	144895	Idler Gear	1
28	A623806	Hydraulic Tensioner	1
29	144948	Key	1
30	147907	Guide Rail On Top	1
31	148115	Guide Rail On Side	1
32	UKC3344	Timing Cover Seal	1
33	UKC5446	Timing Pointer	1
34	145916	Timing Cover Gasket	RH
35	144666		LH
36	145276	Shim	.006"
37	145275	Shim	.004"
38	143311	Oil Thrower	1
39	TKC47	Crankshaft Pulley	1
40	RB1010	Cylinder Head Assy.	Includes-Valves, Camshafts, Ect...Ready To Fit
	RB1225	Cylinder Head-Bare	
41	TKC1228	Air Manifold Assy.	Carburettor Models Only
42	TKC2199	Camshaft Cover	1
43	SE504051	Valve Cover Screw	2
--	TDB610	Head Gasket Set	Includes Standard Head Gasket For Carburettor Models
	MDS215		Includes Standard Head Gasket For Fuel Injection Models

\*Head gasket-thick style use part# RB1227.

ENGINE

TR8  
ENGINE & CYLINDER HEAD COMPONENTS



ENGINE

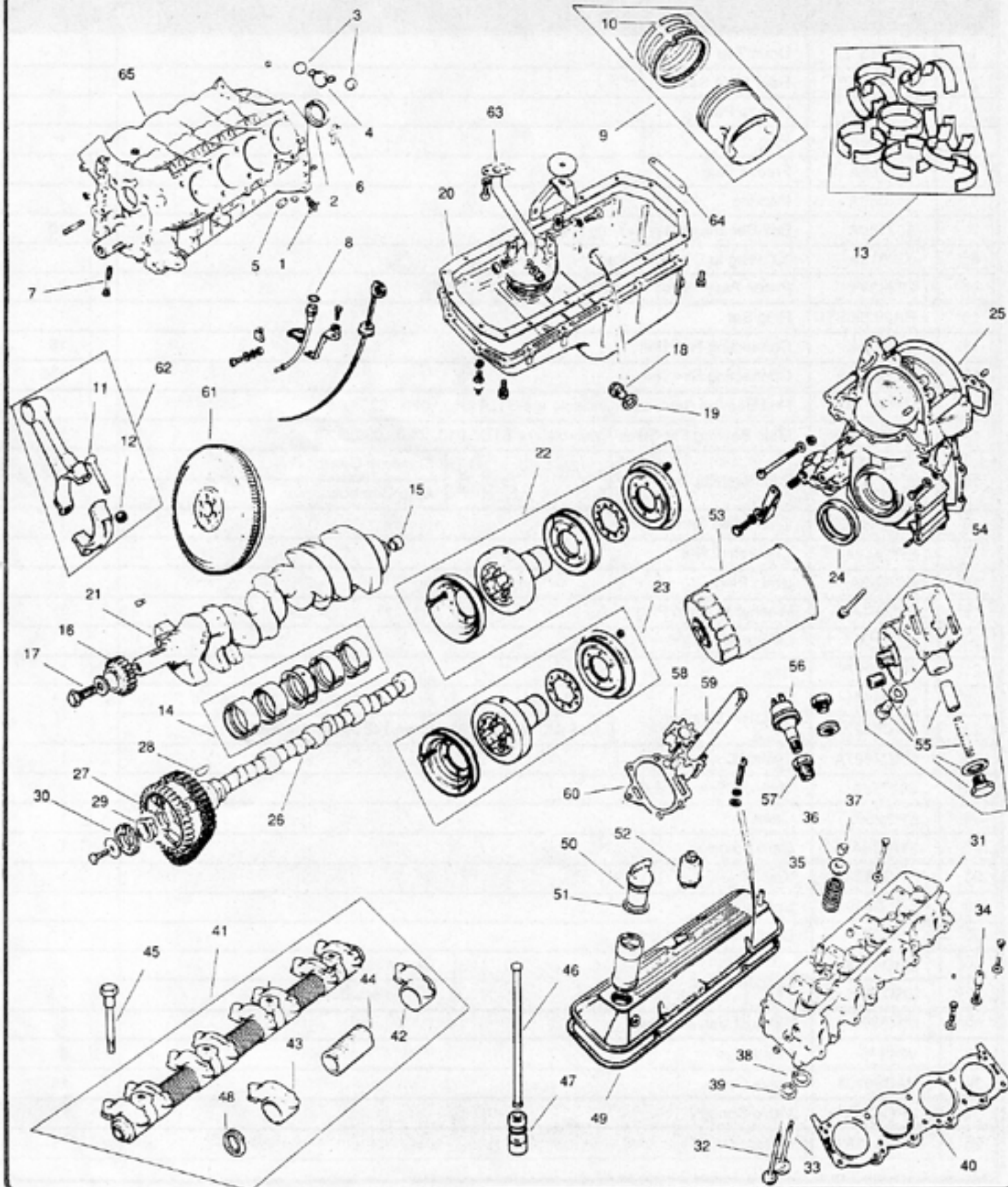
TR8  
ENGINE & CYLINDER HEAD COMPONENTS

Ill. No.	Part No.	Description	Qty. Req'd.
1	302915	Drain Tap	1
2	611409A	Rear Main Seal	1
3	602152A	Freeze Plug	8
4	602146A	Plug	1
5	603152A	Freeze Plug	1
6	611089A	Packing	2
7	602130A	Bolt-Securing Main Bearing Caps	10
8	532319A	"O" Ring to Dipstick Tube	1
9	20265V1	Piston Assy.-Sizes Available are STD, .020, .040	8
10	RA29296STD	Ring Set	1
11	602609A	Connecting Rod Bolt	16
12	602061A	Connecting Rod Nut	16
13	VPR91242	Rod Bearing Set-Sizes Available are STD, .010, .020, .030, .040	1
14	VPM91243	Main Bearing Set-Sizes Available are STD, .010, .020, .030, .040	1
15	614263	Pilot Bushing	Standard Gearbox
	610196		Auto Gearbox
16	90-602372A	Crankshaft Sprocket	1
17	ERC417A	Crankshaft Nut	1
18	603659A	Drain Plug	1
19	213961A	Washer to Drain Plug	1
20	AJM539	Oil Sump Gasket	1
21	90-602075	Key	1
22	ERC6521	Vibration Damper	A/C Models From 14E00407 & 15E00006 On
23	ERC6427		Non-A/C Models From 14E00407 & 15E00006 On
24	ERC7987A	Timing Cover Seal	1
25	603775A	Timing Cover Gasket	1
26	ERC2003	Camshaft	1
27	610289A	Cam Sprocket	1
28	ERC2836A	Key	1
29	ERC2839A	Spacer	1
30	614188A	Distributor Drive Gear	1
31	ERC676A	Cylinder Head	Carburettor Models
	ERC3346		Fuel Injected Models
32	V34377	Exhaust Valve	8
33	V34376	Inlet Valve	8
34	VAG50998	Valve Guide	16
35	ERC1309	Valve Spring	16
36	ERC573A	Collar	16

NOTE: A/C=Air Conditioning

# ENGINE

## TR8 ENGINE & CYLINDER HEAD COMPONENTS



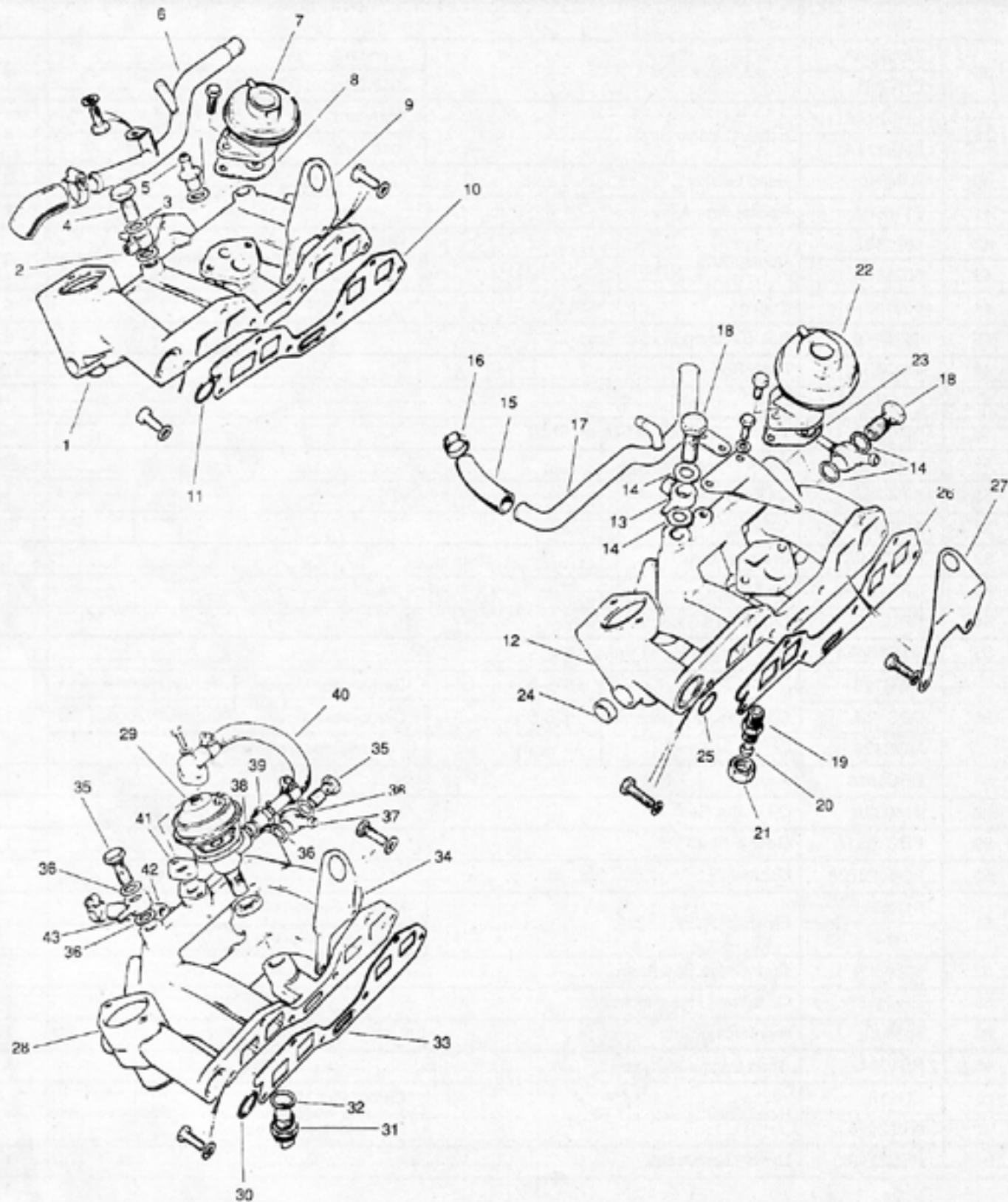
# ENGINE

## TR8 ENGINE & CYLINDER HEAD COMPONENTS

Ill. No.	Part No.	Description	Qty. Req'd.		
37	ERC1637A	Cotter	32		
38	ERC224A	Intake Valve Seat	Standard		
	ERC225		.010 Over		
39	ERC210A	Exhaust Valve Seat	Standard		
	ERC211A		.010 Over		
40	AJM340	Head Gasket	2		
41	611660A	Rocker Arm Assy.	2		
42	602153A	Rocker Arm	RH		
43	602154A		LH		
44	602143	Spring	6		
45	602097A	Bolt-Securing Rocker Assy.	8		
46	603378A	Push Rod	16		
47	ERC4949A	Lifter	16		
48	602148A	Spring Clip-Ends of Rocker Shaft	4		
49	AJM436B	Valve Cover Gasket	2		
50	625038A	Oil Filler Cap	1		
51	564258A	"O" Ring	2		
52	ERC248A	Breather Cap	1		
53	GFE187	Oil Filter	1		
54	ERC577	Oil Pump & Filter Head Assy.	1		
55	RTC2044A	Oil Pressure Relief Valve Kit	1		
56	MOS126	Oil Pressure Switch	1975-80	Carburettor Models	To VIN200001
	GPS123		1980 On	Carburettor Models	From VIN200001 On
	MOS126		All Years	Fuel Injected Models	
57	ERC1508	Adaptor	1		
58	614037A	Oil Pump Gear	1		
59	ERC1351A	Gear & Shaft	1		
60	90-602072A	Gasket	1		
61	612368	Flywheel Assy.	Manual Gearbox		
	603341		Automatic Gearbox		
62	602082A	Connecting Rod Assy.	1		
63	ERC1585	Oil Screen Housing Assy.	1		
64	603943	Reinforcing Strip	1		
65	RB1004	Short Engine-Rebuilt	1		
--	CG913	Head Gasket Set	Carburettor Models		
	RTC2576		Fuel Injected Models		
--	RTC2104	Lower Gasket Set	1		

**ENGINE**

**TR7  
INTAKE MANIFOLDS**



**ENGINE**

**TR7  
INTAKE MANIFOLDS**

Ill. No. Part No. Description Qty. Req'd.

**TR7 1975-77 California Models**

1	RKC704	Intake Manifold	1
2	159892	Banjo Bolt	1
3	WF524	Washer	1
4	148515	Banjo Bolt	1
5	159942	Adaptor	1
6	TKC1631	Pipe	1
7	TKC1670	Gulp Valve	1
8	UKC708	Gasket	1
9	153768	Lifting Eye	1
10	GEG679	Intake Manifold Gasket	1
11	TRS2024	O-Ring	1

**TR7 1975-77 Federal**

12	UKC1636	Intake Manifold	1
13	UKC2678	Banjo Connector	1
14	WF524	Washer	1
15	UKC4457	Hose	1
16	UKC6724	Clip	1
17	TKC1241	Pipe	1
18	148515	Banjo Bolt	1
19	153198	Connector	1
20	TL11	Sleeve	1
21	153199	Nut	1
22	TKC307	Gulp Valve	1
23	UKC708	Gasket	1
24	138380	Plug	1
25	TRS2024	O-Ring	1
26	GEG679	Intake Manifold Gasket	1
27	153768	Lifting Eye	1

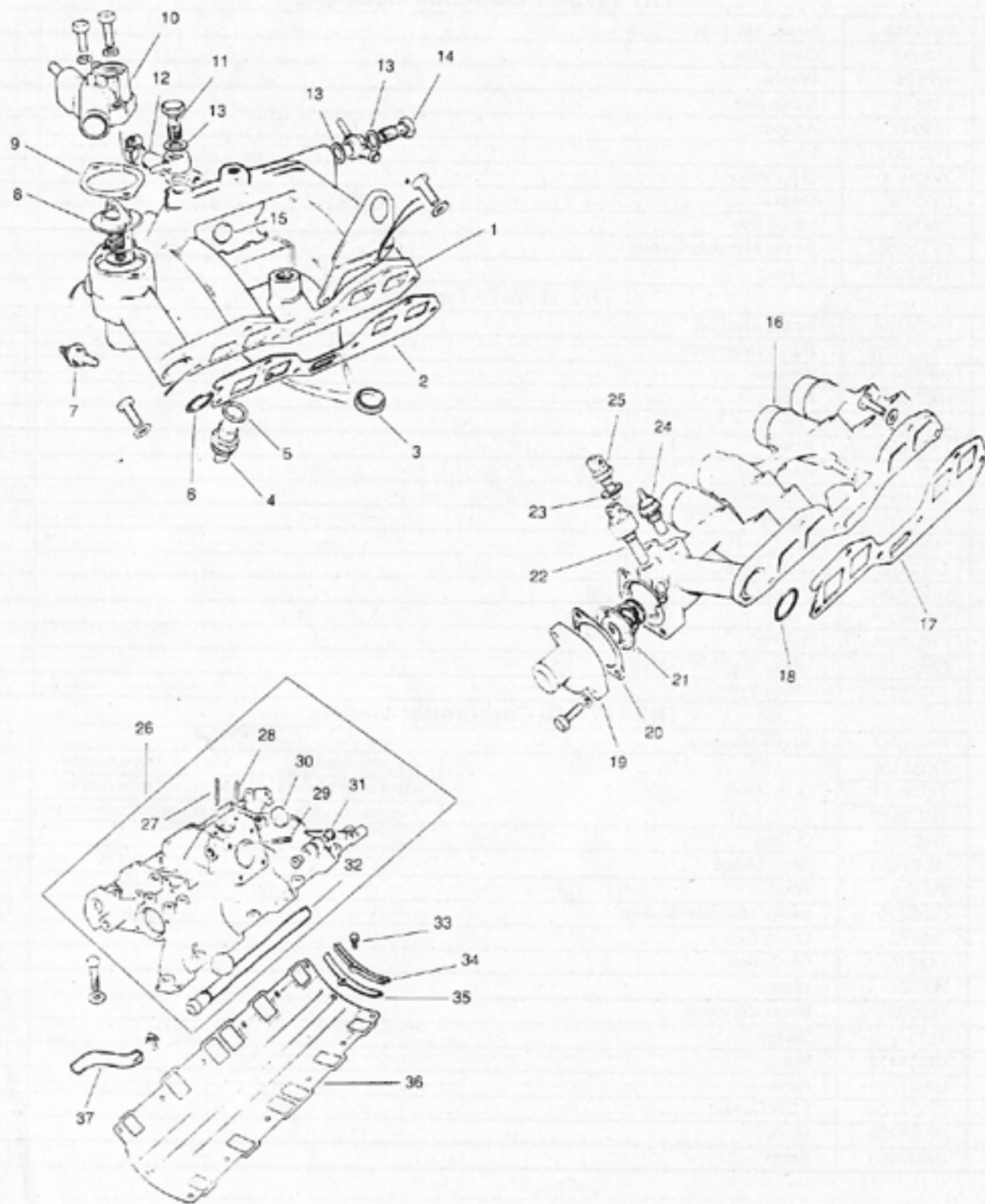
**TR7 1977-79 Carburettor Models**

28	TKC3248	Intake Manifold	1		
29	TKC3306	Gulp Valve	Federal Models	Manual Transmission	1
	TKC3523		California Models	Manual Transmission	
	TKC3523		Federal Models	Automatic Transmission	
30	TRS2024	O-Ring	1		
31	UKC7953	Otter Switch	1		
32	WF415	Washer	1		
33	GEG679	Intake Manifold Gasket	1		
34	153768	Lifting Eye	1		
35	148515	Banjo Bolt	1		
36	WF524	Washer	1		
37	159892	Banjo Connector	1		
38	TL11	Sleeve	1		
39	UKC1413	Nut	1		
40	UKC7701	Hose	1		
41	UKC7704	EGR Gasket	1		
42	UKC8232	Hose	1		
43	UKC7653	Banjo	1		



# ENGINE

## TR7 & TR8 INTAKE MANIFOLDS

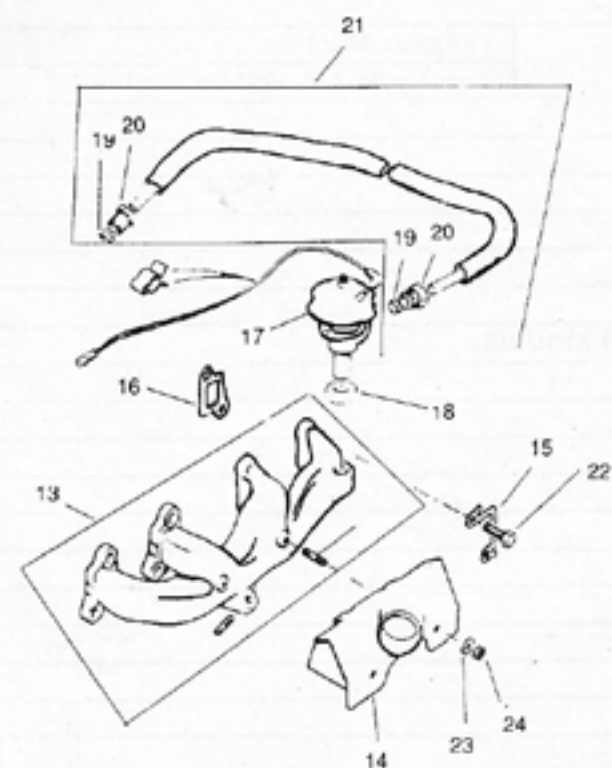
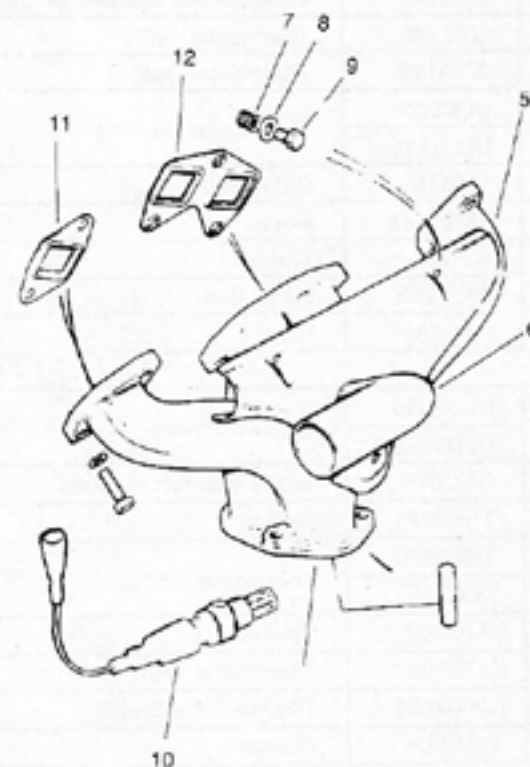
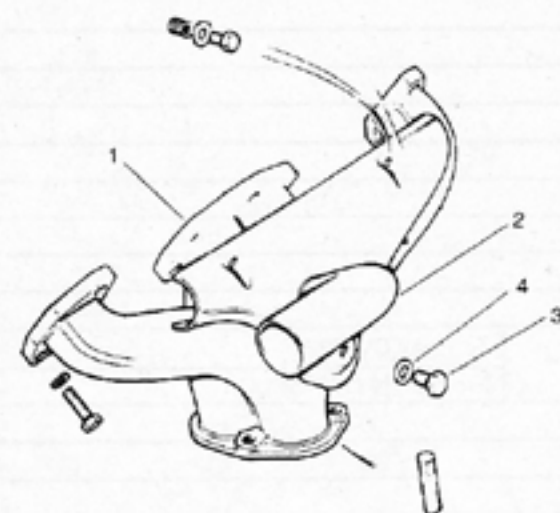


# ENGINE

## TR7 & TR8 INTAKE MANIFOLDS

Ill. No.	Part No.	Description	Qty. Req'd.
<b>TR7 1979 On To VIN# 401629 Carburettor Models</b>			
1	TKC3248	Intake Manifold	1
2	GEG679	Intake Manifold Gasket	1
3	144686	Plug	2
4	UKC7953	Otter Switch	1
5	WF415	Washer	1
6	TRS2024	O-Ring	1
7	MTS140	Temperature Transmitter Switch	1
8	GTS108	Thermostat 190°	1
9	GTG103	Thermostat Gasket	1
10	ULC2000	Thermostat Housing	To Eng# CV27371
	ULC2111		From Eng# CV27371 On
11	148515	Banjo Bolt	1
12	UKC7946	Hose	1
13	WF524	Washer	2
14	534156A	Banjo Bolt	1
15	UKC7846	Plug	1
<b>TR7 1979 On Fuel Injected Models</b>			
16	ULC2085	Intake Manifold	To Approx May 1981
	ULC3855		From Approx. May 1981 On
17	GEG679	Intake Manifold Gasket	1
18	TRS2024	O-Ring	1
19	TKC5510	Thermostat Housing	To Approx. May 1981
	ULC3453		From Approx. May 1981 On
20	GTG103	Gasket	1
21	GTS108	Thermostat 190°	1
22	UKC2532	Thermo-Time Switch	1
23	WF511A	Washer	1
24	MTS140	Temperature Transmitter Switch	1
25	0280130023	Thermo Fan Switch	1
<b>TR8 All Models</b>			
26	ERC3437	Intake Manifold	1
27	252501A	1/4" UNF Stud	1
28	252497	Stud	1
29	252514A	5/16" UNF Stud	1
30	ERC256A	Plug	1
31	522932A	Bushing	1
32	90-64532	Pipe	1
33	602236A	Bolt	2
34	602076A	Clamp	2
35	AJM645	Gasket	1
36	GEG665	Intake Manifold Gasket	1
37	ERC2278	Hose	1

TR7 & TR8  
EXHAUST MANIFOLDS



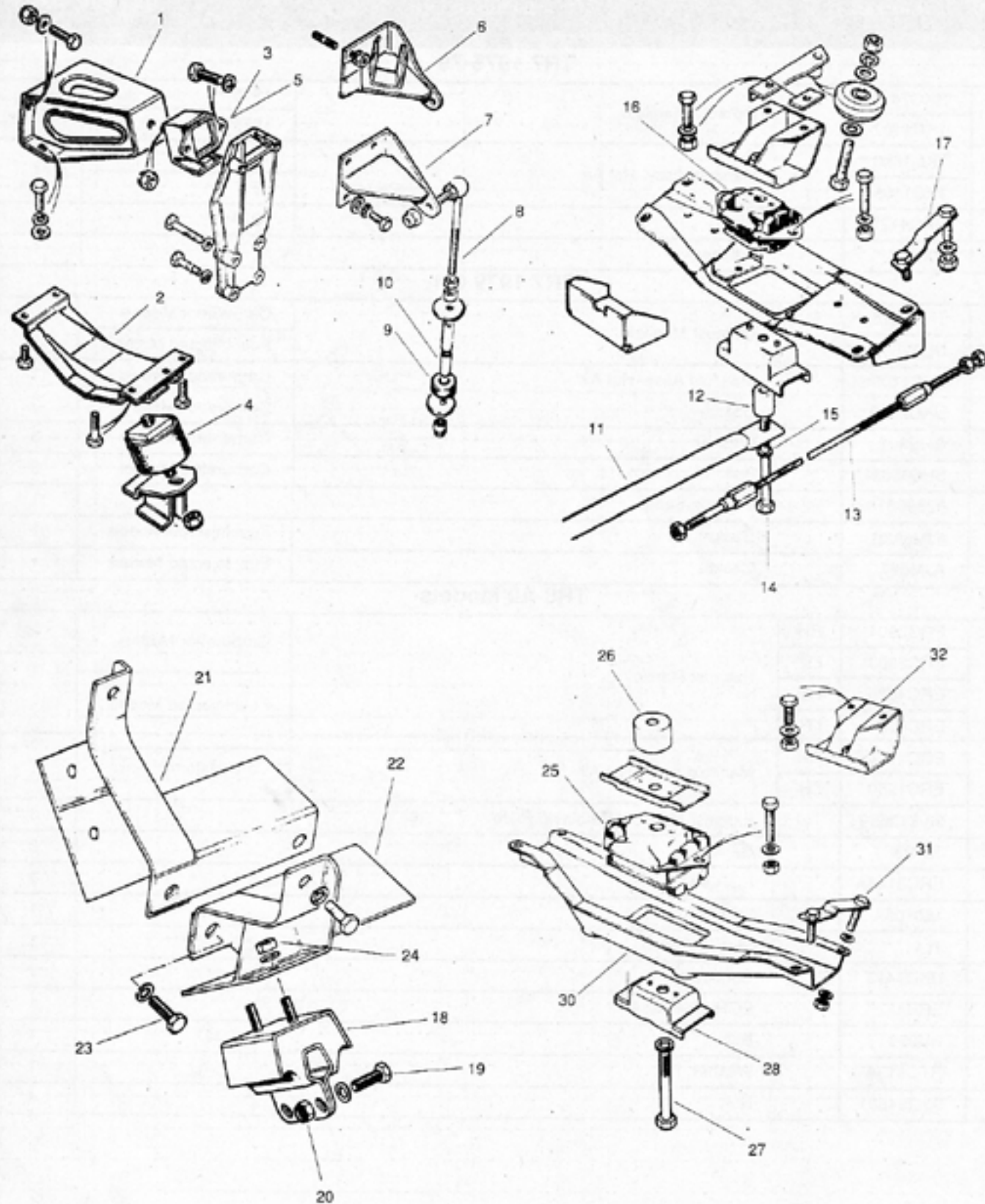
ENGINE

TR7 & TR8  
EXHAUST MANIFOLDS

Ill. No.	Part No.	Description	Qty. Req'd.
<b>TR7 1975-79</b>			
1	RKC74	Exhaust Manifold	1975-77
	TKC1102		1977 On
2	TKC1650	Manifold Assy.-Hot Air	1975-77
	TKC1105		1977 On
3	UKC4127	Plug	1975-77
4	500464	Washer	1
<b>TR7 1979 On</b>			
5	TKC2816	Exhaust Manifold	Carburettor Models
	ULC2596		Fuel Injected Models
6	TKC1105	Manifold Assy.-Hot Air	Carburettor Models
7	UKC2330	Coil	Carburettor Models
8	GHF301	Washer	Carburettor Models
9	SH605031	Bolt	Carburettor Models
10	0258001026	Lambda Sensor	
11	AJM698B	Gasket	Fuel Injected Models
12	AJM697	Gasket	Fuel Injected Models
<b>TR8 All Models</b>			
13	ERC2901	RH	Exhaust Manifold
	ERC2903	LH	
	ERC4020	RH	Fuel Injected Models
	ERC4021	LH	
14	ERC1954	RH	Manifold Assy.-Hot Air
	ERC1950	LH	
15	90-613659	Exhaust Manifold Retaining Plate	8
16	JB792	Gasket	8
17	ERC3143A	EGR Valve	1
18	160108A	Lock Nut	1
19	TL11	Sleeve	1
20	UKC1413	Connector	1
21	ERC4320	EGR Pipe Assy.	1
22	HU959	Bolt	1
23	RTC613A	Washer	1
24	90-254801	Nut	4

**ENGINE**

**TR7 & TR8  
ENGINE & GEARBOX MOUNTS**



**ENGINE**

**TR7 & TR8  
ENGINE & GEARBOX MOUNTS**

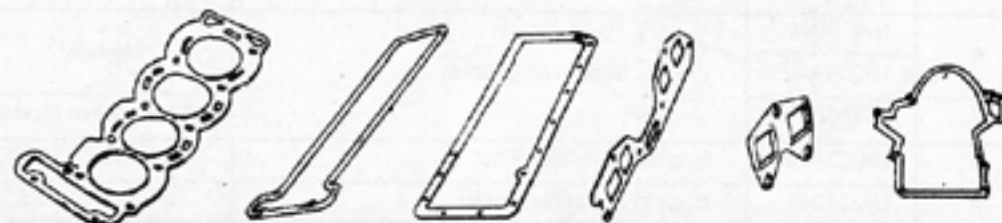
Ill. No.	Part No.	Description		Qty. Req'd.		
<b>TR7</b>						
1	TKC4447	Engine Mounting Bracket	RH	Fuel Injection Models	1	
	TKC883			Carburettor Models		
2	TKC1436	Engine Mounting Bracket	LH	To Eng# CL20327	1	
	TKC2766			From Eng# CL20328 On		
3	UKC6710	Rubber Mounting	RH	To Eng# ACL31813	1	
	UKC3325			From Eng# ACL31814 On		
4	UKC6710	Rubber Mounting	LH	To Eng# CL20327	1	
	UKC5842			From Eng# CL20328 On		
6	UKC5842	Engine Stabilizer Bracket		A/C Models	To Eng# CL4456	1
	UKC6799			From Eng# CL4457 On		
7	UKC3821	Engine Stabilizer Bracket		Carburettor Models	To Eng# CL20327	1
	UKC3789			Engine Stabilizer Rod	To Eng# CL20327	
9	UKC4043	Engine Stabilizer Bush		To Eng# CL20327	1	
10	UKC5978	Sleeve	Long	To Eng# CL20327	1	
	UKC5977		Short			
11	UKC5670	Engine Tie Rod			1	
12	UKC5345	Spacer			1	
13	UKC5479	Engine Restraint Cable		To VIN202093	1975-(Early) 80	1
	TKC5560			From VIN202094 On	(Early) 1980 On	
14	BH112201	Bolt			1	
15	WL112001	Washer			1	
16	TKC1044	Gearbox Rubber Mounting-(Can Substitute TKC2642-TR8 Mount)			1	
17	UKC4343	Stud Plate			2	
<b>TR8</b>						
18	UKC8330	Front Rubber Mountings			2	
19	SH110301	Bolt			4	
20	GHF233	Nyloc Nut			4	
21	UKC4227	Mounting Bracket	RH		1	
			LH		1	
22	UKC4231	Mounting Bracket			1	
23	HU1058	Bolt			4	
24	NZ606041	Nut			4	
25	TKC2642	Rear Engine Mount			1	
26	UKC1744	Steady Rod Bush		Manual Gearbox Only	1	
27	BH112181	Steady Rod Bolt			1	
28	UKC2209	Steady Rod Bracket			1	
30	RKC488	Crossbrace			1	
31	UKC4343	Crossbrace Mounting Bolt			2	
32	UKC1187	Bracket		Auto Gearbox Only	1	

# FILTERS

## TR7 & TR8 GASKETS & FILTERS



Model		Head Set	Lower Gasket Set
TR7	1975-81	Carburetor Models	TDB610
	1980-81	Fuel Injection Models	MDS215
TR8		Carburetor Models	CG913
		Fuel Injection Models	RTC2576



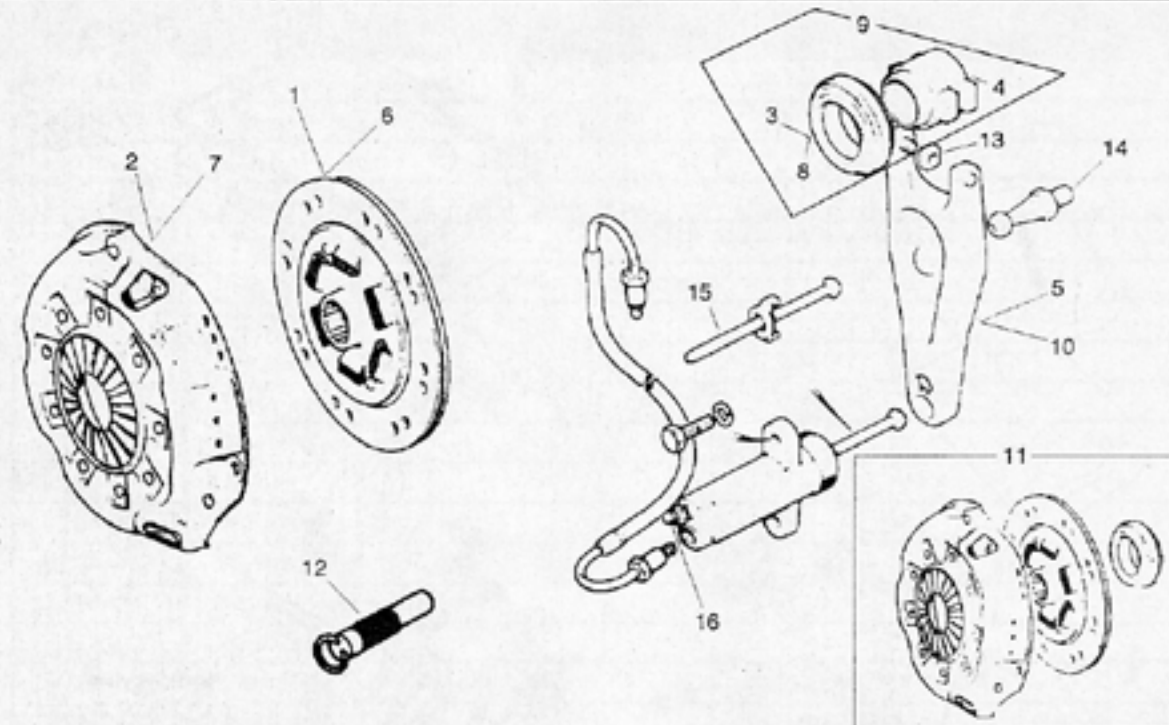
Model	Head Gasket	Cam Cover Gasket	Oil Pan Gasket	Intake Gasket	Exhaust Gasket	Timing Cover Gasket		
TR7	1975-81	Carburetor Models And Fuel Injected Models	TBB610 (Standard Thickness)	TJM552	AJM539	AJM679B	See Page 19	145916 RH
			RB1227 (Thick Style)				144666 LH	
TR8		Carburetor Models Fuel Injected Models	AJM840	AJM436B	AJM539	GEG665	See Page 19	603775A



Model	Oil	Air	Fuel	
TR7	1975 thru 81	Carb. (California)	GFE1065	0986450999
		Carb. (Except California)	GFE1040	
	1980 thru 81	Fuel Inject. (Federal & Calif. Models)	GFE1093	0450905030
TR8	Carbs.	GFE187	GFE1124	0986450999
	Fuel Inject.	GFE187 (1980-81)	GFE1093	0450905030

# CLUTCH

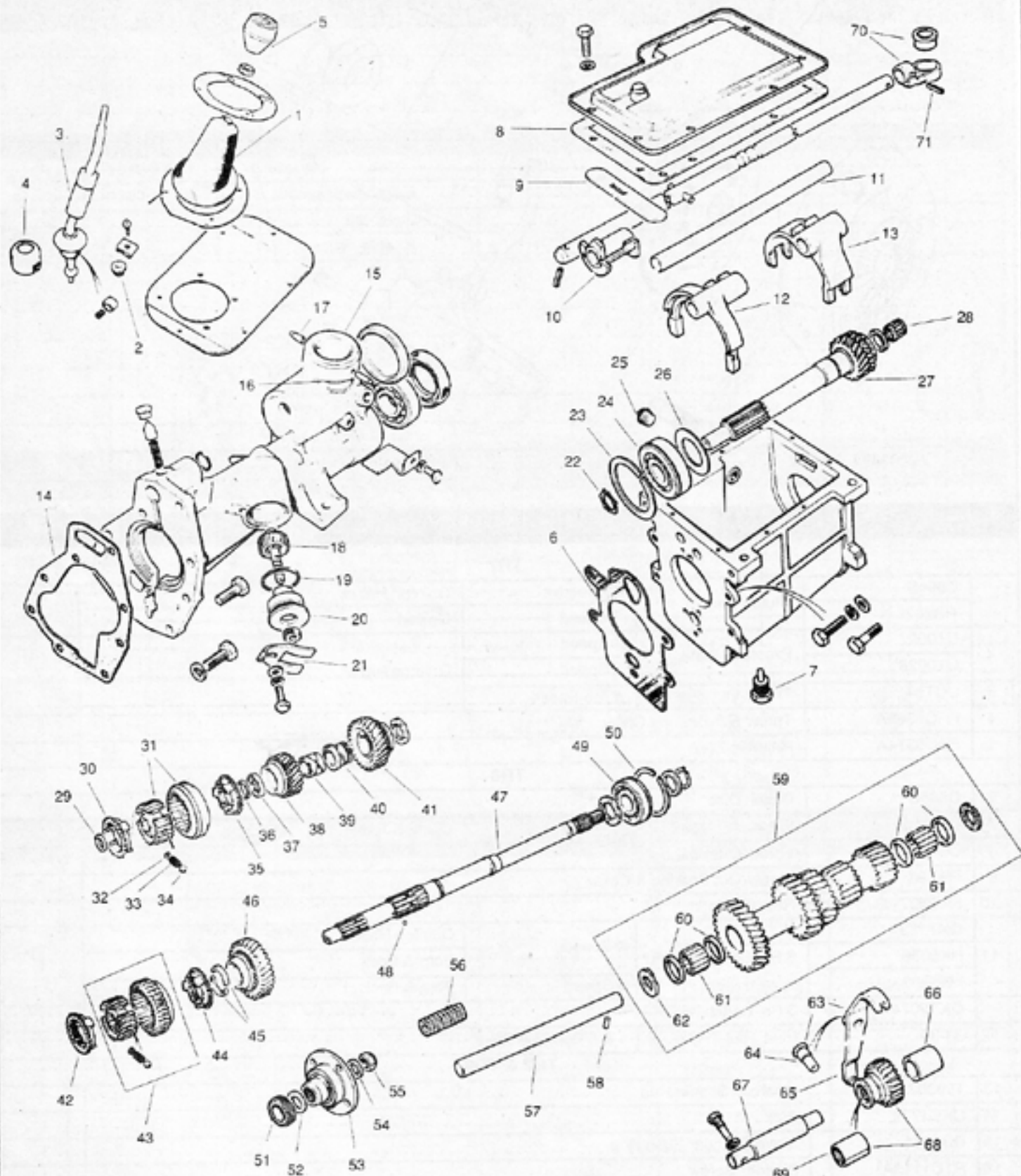
## TR7 & TR8 CLUTCH & MISCELLANEOUS COMPONENTS



Ill. No.	Part No.	Description	Qty. Req'd	
<b>TR7</b>				
1	C894S	Clutch Disc	4 Speed	1
	HB2628		5 Speed	
2	Q10027	Pressure Plate	4 Speed	1
	Q10028		5 Speed	
3	CCT54	Throw-Out Bearing	4 & 5 Speed	1
4	FRC5369A	Throw Out Bearing Collar		1
5	FRC5374A	Release Fork		1
<b>TR8</b>				
6	C886S	Clutch Disc		1
7	Q10022	Pressure Plate	Quinton Hazel	1
8	CCT54	Throw-Out Bearing		1
9	FRC93	Throw-Out Bearing & Collar		1
10	FRC5374A	Release Fork		1
11	QKT189	3 Pc. Clutch Kit-TR7	4 Speed	Quinton Hazel
	HK5036		5 Speed	Borg & Beck
	HK5037		5 Speed	Borg & Beck
	QKT207AF	3 Pc. Clutch Kit-TR8		1
12	33-32	Pilot Tool-TR7/8	4 & 5 Speed Models	1
<b>TR7 &amp; TR8</b>				
13	159003A	Gearbox Slipper Pad		2
14	UKC1774	Fork Pin		1
15	RB1084	Slave Cylinder Push Rod		1
16	RTC1115A	Bleeder Screw		1

# DRIVELINE

## TR7 4 SPEED GEARBOX & MISCELLANEOUS COMPONENTS



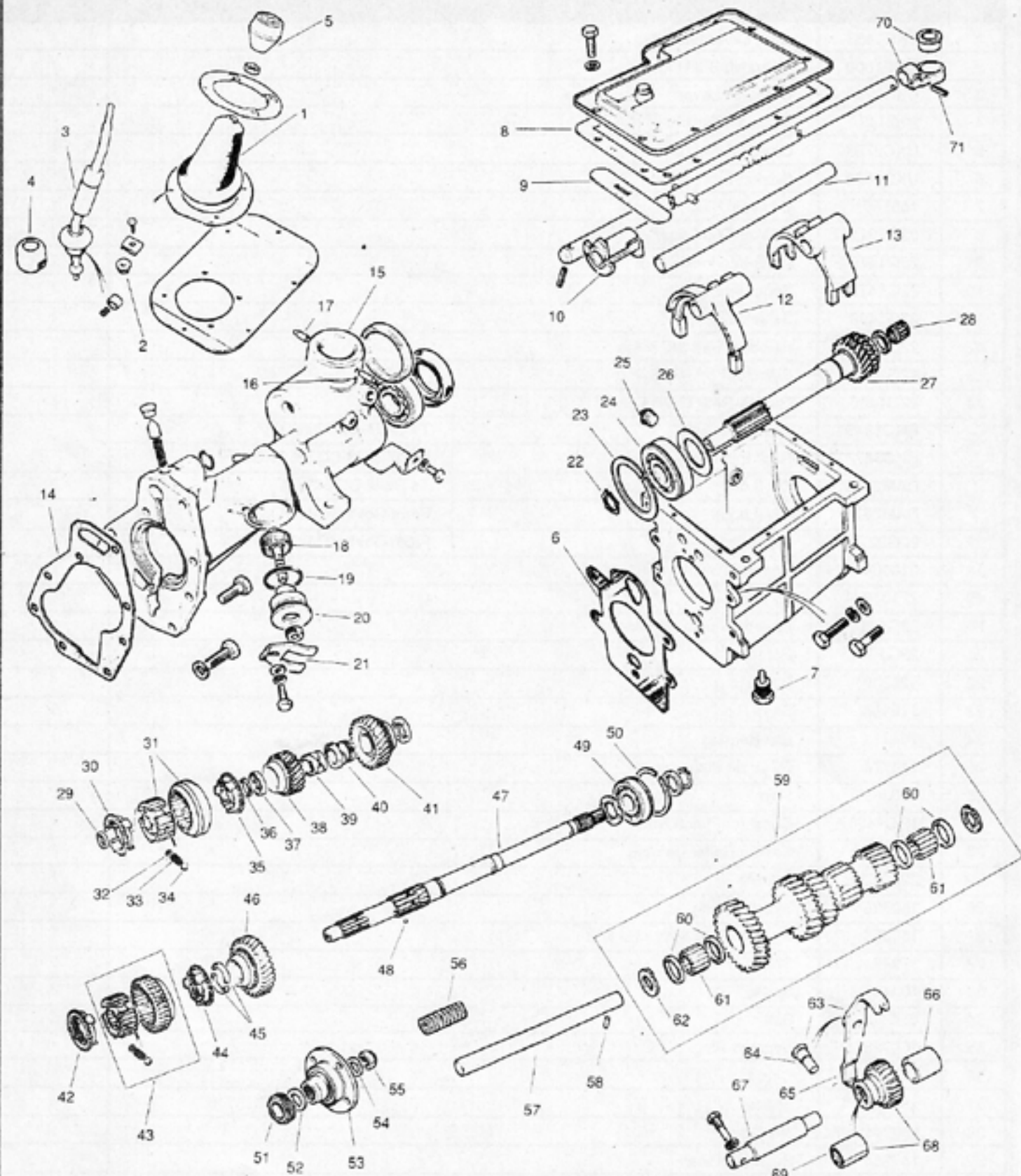
# DRIVELINE

## TR7 4 SPEED GEARBOX & MISCELLANEOUS COMPONENTS

Ill. No.	Part No.	Description	Qty. Req'd.
1	YKC1453	Gear Lever Grommet	1
2	GHF1000	Gearshift Bushing	1
3	UKC3248	Gearshift Lever	1
4	22G1434	Gearshift Retainer	1
5	UKC2793	Gearshift Knob	1
6	UKC4128	Gasket-Front Cover	1
7	155660	Oil Drain Plug	1
8	22G1911	Gasket-Top Cover	1
9	22G1419	Plate-Interlock Spool	1
10	22G1418	Spool-Interlock	1
11	22G1408	Selector Shaft	1
12	22G1584	Selector Fork-3rd & 4th	1
13	22G1406	Selector Fork-1st & 2nd	1
14	22G1420	Gasket-Rear Extension	1
15	RKC1846	Rear Extension	To Gbx# CG52530
	RKC3477	Rear Extension	From Gbx# CG52530 On
16	DAM2670	Pin (Long)	To Gbx# CG443
	DAM2670	Pin (Long)	From Gbx# CG443 On
17	22G2277	Pin (Short)	From Gbx# CG443 On
18	219004	Speedo Pinion	1
19	271013A	"O" Ring	1
20	22G1486	Speedo Pinion Housing	1
21	22G1711	Retainer	1
22	129839	Circlip	1
23	112654	Snap Ring	1
24	104433	Ball Bearing	1
25	114774	Oil Drain Plug	1
26	106365	Shim	1
27	TKC1490	Constant Pinion Shaft	1
28	13H9513	Needle Roller Bearing	1
29	22G2839	Spacer	1
30	150328	Synchro Ring	1
31	156968	Synchro Hub Assy.-3rd & 4th	1
32	37948	Shim	1
33	104445	Spring	3
34	BLS108	Ball	3
35	150328	Synchro Ring	1
36	TKC6444	Circlip	1
37	159978	Spacer	1
38	UKC4454	3rd Gear	1
39	147354	Bush-3rd Gear	1

# DRIVELINE

## TR7 4 SPEED GEARBOX & MISCELLANEOUS COMPONENTS



# DRIVELINE

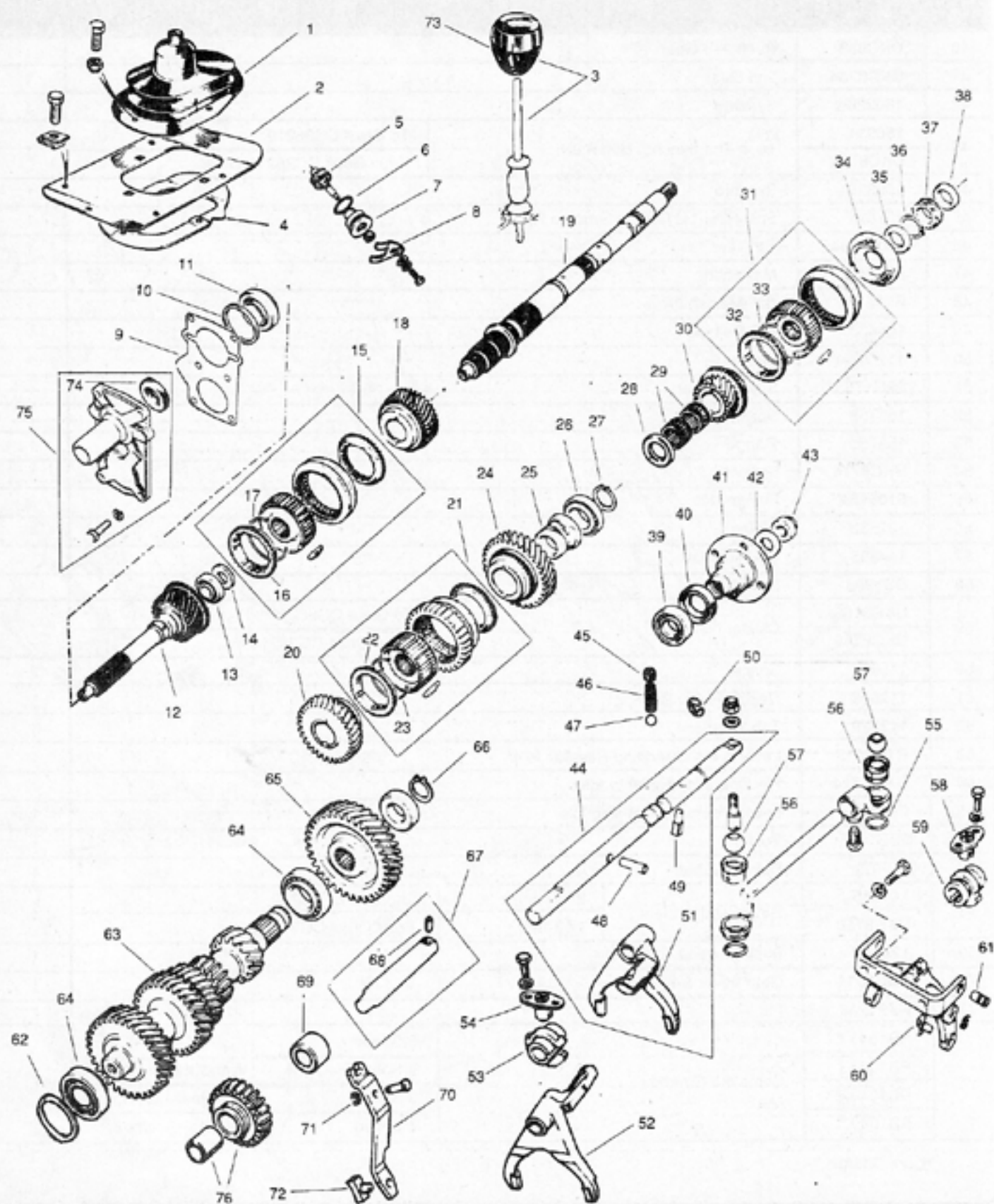
## TR7 4 SPEED GEARBOX & MISCELLANEOUS COMPONENTS

Ill. No.	Part No.	Description	Qty. Req'd.
40	UKC933	Bush-2nd Gear	1
41	UKC3364	2nd Gear	1
42	150328	Synchro	1
43	156911	1st & 2nd Synchro Hub Assy.	To Gbx# CG36219
	UKC8748		From Gbx# CG36219 On
44	150328	Synchro	1
45	137834	Split Ring-1st Gear & Synchro Hub	1
46	UKC3394	1st Gear	1
47	RKC722	Mainshaft	1
48	BL12	Ball-Mainshaft	1
49	104433	Ball Bearing	1
50	112654	Circlip	1
51	22G1753	Speedo Gear	1
52	155756	Spacer	1
53	155755	Flange	1
54	UKC8714	Spacer	1
55	510618A	Flange Nut	2
56	137532	Spring	3
57	144595	Countershaft	1
58	DS1908	Dowel	1
59	UKC3196	Cluster Gear	To Gbx# CG36219
	UKC8749		From Gbx# CG36219 On
60	119891	Spacer	2
61	119893	Needle Roller Bearing	50
62	113229	Tab Washer	1
63	RTC2015	Lever & Pin Operating Reverse Idler	1
64	DAM1714	Pin Operating Reverse Idler	1
65	CHM63	Lever Operating Reverse Idler	1
66	22G1435	Bushing	1
67	113071	Reverse Shaft	1
68	144580	Reverse Idler Gear	21 Teeth To Gbx# CG36219
	UKC8750		17 Teeth From Gbx# CG36219 On
69	129862	Bush-Reverse Idler Gear	1
70	UKC6511	Gear Lever & Seat	1
71	RZS1216	Pin	1
..	RB1041 *	Complete Gearbox	5 Speed
	RB1043 *		4 Speed Without Bell Housing
	RB1044 *		3 Speed Automatic Gearbox
	RB1049 *		4 Speed Manual Gearbox

\*Core Charge

# DRIVELINE

## TR7 & TR8 5 SPEED GEARBOX & MISCELLANEOUS COMPONENTS



# DRIVELINE

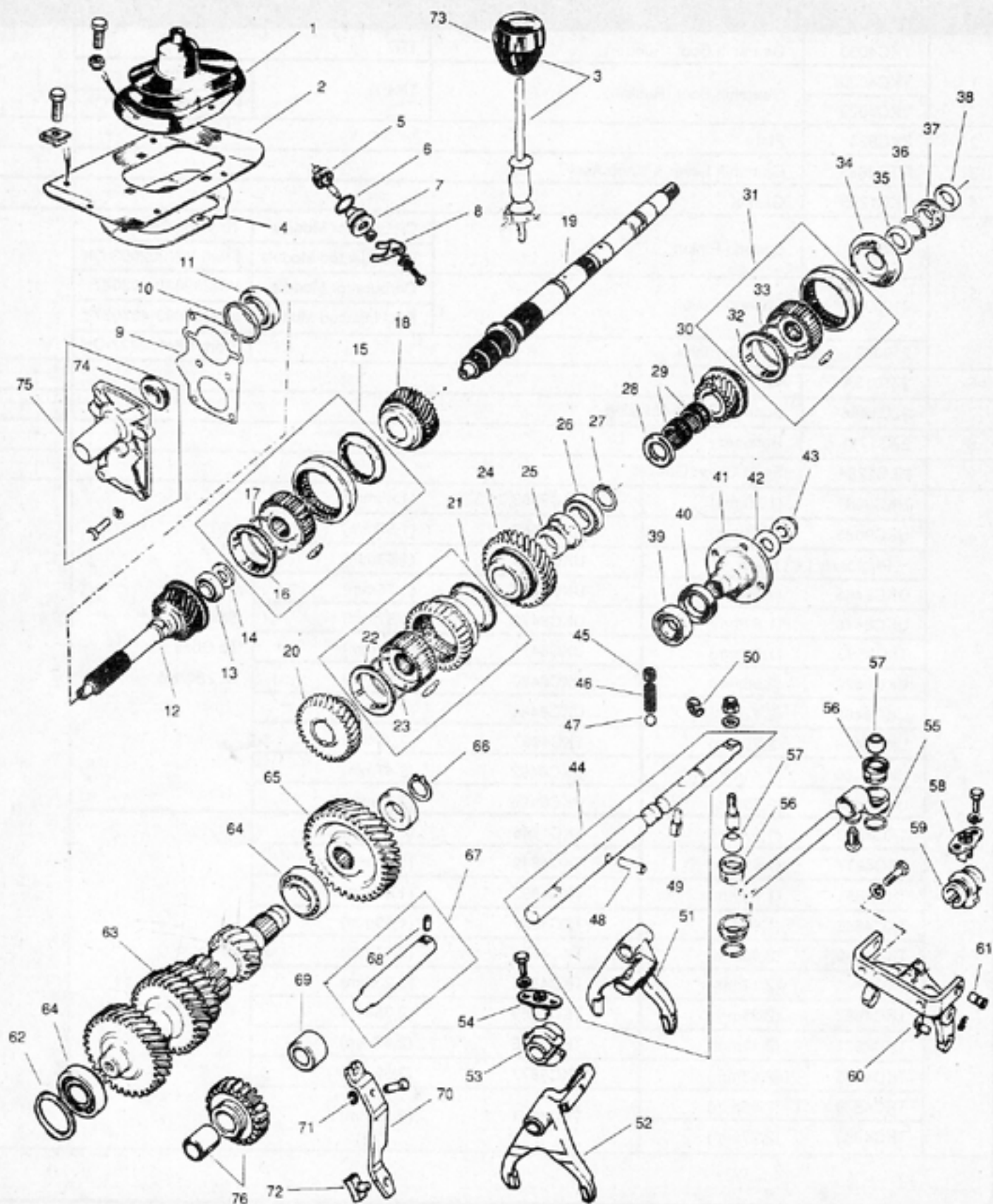
## TR7 & TR8 5 SPEED GEARBOX & MISCELLANEOUS COMPONENTS

Ill. No.	Part No.	Description	Qty. Req'd.
1	YKC4030	Gearshift Boot (Rubber)	TR7
	YKC4030	Gearshift Boot (Rubber)	TR8 To VIN201504
	YKC4029		TR8 From VIN201504 On
2	ZKC824	Plate	1
3	RTC2683	Gearshift Lever & Knob Assy.	1
4	TKC1235	Gasket	1
5	219004	Speedo Pinion	Carburettor Models To VIN202680
			Fuel Injected Models From VIN202093 On
	219005A	Speedo Pinion	Carburettor Models VIN202680-402027
			Fuel Injected Models VIN202093-402027
219002	Speedo Pinion	From VIN402027 On	
6	271013A	"O" Ring	1
7	22G1486	Speedo Pinion Housing	1
8	22G1711	Retainer	1
9	ULC1284	Front Cover Gasket	1
10	UKC9081 (1.39mm)	UKC9083 (1.45mm)	Shim To Gbx# CL22476C
	UKC9085 (1.51mm)	UKC9087 (1.57mm)	
	Purposely Left Blank	UKC9089 (1.63mm)	
	UKC8466 (1.69mm)	UKC8468 (1.75mm)	
	UKC8470 (1.81mm)	UKC8472 (1.87mm)	
	TKC4593 (1.93mm)	UKC8476 (1.99mm)	
	UKC8478 (2.05mm)	UKC8480 (2.11mm)	
	UKC8482 (2.17mm)	UKC8484 (2.23mm)	
	UKC8486 (2.29mm)	TKC4607 (2.35mm)	
	UKC8490 (2.41mm)	UKC8492 (2.47mm)	
	UKC8494 (2.53mm)	UKC8496 (2.59mm)	
	TKC4843 (1.57mm)	TKC4845 (1.63mm)	Shim From Gbx# CL22477C On
	TKC4847 (1.69mm)	TKC4849 (1.75mm)	
	TKC4851 (1.81mm)	TKC4853 (1.87mm)	
	TKC4855 (1.93mm)	TKC4857 (1.99mm)	
	TKC4859 (2.05mm)	TKC4861 (2.11mm)	
	TKC4863 (2.17mm)	TKC4865 (2.23mm)	
	TKC4867 (2.29mm)	TKC4869 (2.35mm)	
	TKC4871 (2.41mm)	TKC4873 (2.47mm)	
	TKC4875 (2.53mm)	TKC4877 (2.59mm)	
TKC4879 (2.65mm)	TKC4881 (2.71mm)		
TKC4883 (2.77mm)			

If No Year, Model, VIN # Or Gbx # Is Mentioned, Part Number Fits 1975 thru 81

# DRIVELINE

## TR7 & TR8 5 SPEED GEARBOX & MISCELLANEOUS COMPONENTS



# DRIVELINE

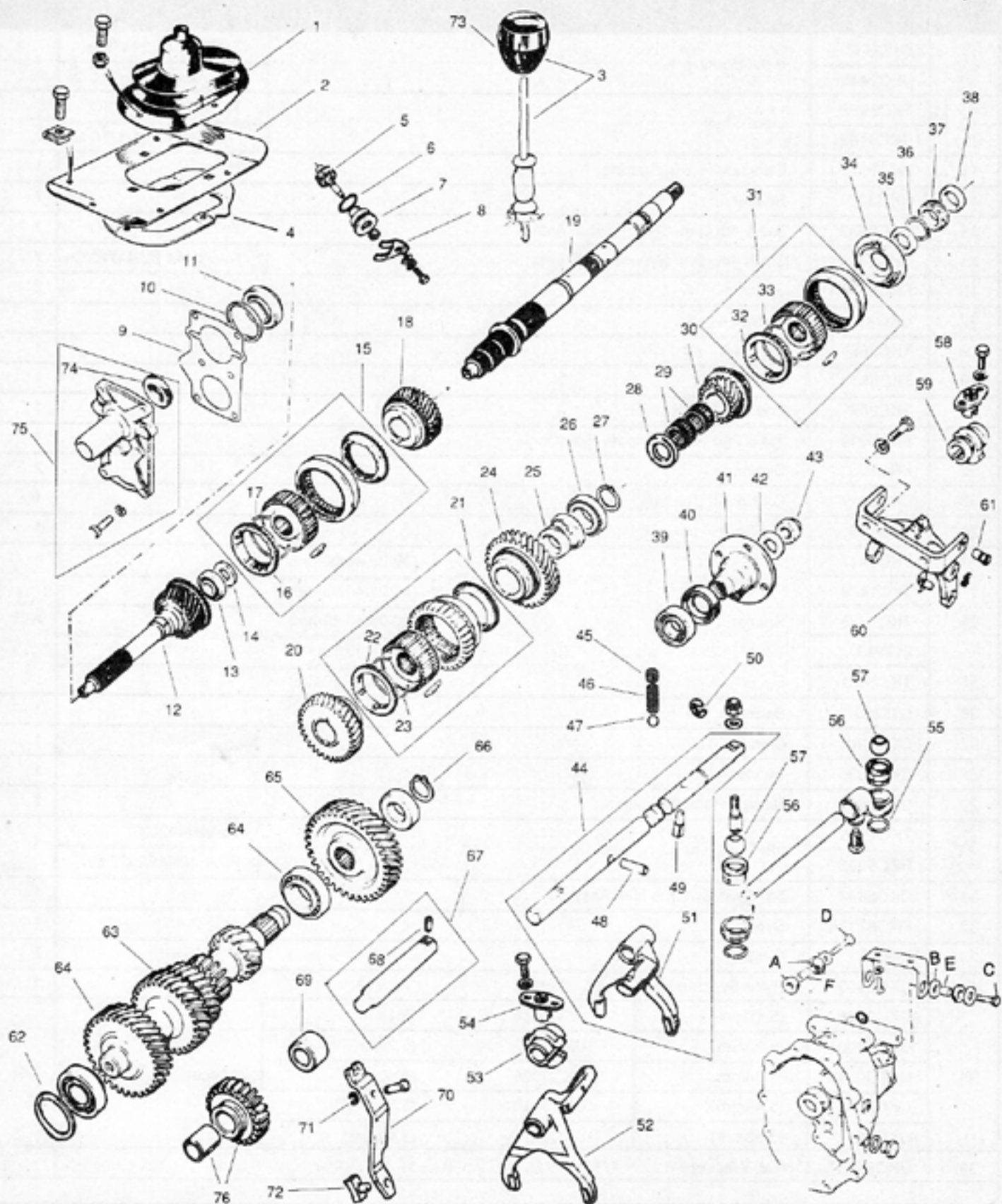
## TR7 & TR8 5 SPEED GEARBOX & MISCELLANEOUS COMPONENTS

Ill. No.	Part No.	Description	Qty. Req'd.			
11	C15351	Input Bearing	To Gbx# CL22476C			
	ULC2445		From Gbx# CL22477C On			
12	TKC3533	Input Shaft	To Gbx# CL22476C			
	RKC4168		From Gbx# CL22477C On			
13	UKC8	Constant Pinion Bearing	1			
14	UKC37	Spacer	1			
15	UKC5843	3rd & 4th Gear Synchro Hub Assy.	To Gbx# CL22476C			
15	UKC5843	3rd & 4th Gear Synchro Hub Assy.	From Gbx# CL22477C On			
16	FRC8232A	Synchro	2			
17	UKC31	Circlip	2			
18	TKC268	3rd Gear	1			
19	TKC3111	Mainshaft	1			
20	TKC267	2nd Gear	1			
21	FRC5319	1st & 2nd Gear Synchro Hub Assy.	1			
22	FRC8233J	Synchro	2			
23	UKC31	Circlip	1			
24	TKC735	1st Gear	1			
25	TKC1477	Spacer	(39.96/40.00mm)			
	TKC1478		(40.01/40.05mm)			
	TKC1479		(40.06/40.10mm)			
	217383		(40.11/40.15mm)			
	TKC1481		(40.16/40.20mm)			
26	C15351	Bearing	1			
27	CCN120	Circlip	1			
28	UKC3336	Spacer	1			
29	UKC2663	Needle Roller Bearing	2			
30	TKC1195	5th Gear	To VIN402027			
	RKC5098		From VIN402027 On			
31	UKC5844	5th Gear Synchro Hub Assy.	1			
32	FRC8232A	Synchro	1			
33	UKC31	Circlip	2			
34	UKC3903	Plate-Synchro Hub	1			
35	UKC8996	(5.10mm)	UKC8998	(5.16mm)	Spacer	A/R
	UKC9000	(5.22mm)	UKC9002	(5.28mm)		
	UKC9004	(5.34mm)	UKC9006	(5.40mm)		
	UKC9008	(5.46mm)	UKC9010	(5.52mm)		
	UKC9012	(5.58mm)	UKC9014	(5.64mm)		
36	UKC6540	Tab Washer	1			



# DRIVELINE

## TR7 & TR8 5 SPEED GEARBOX & MISCELLANEOUS COMPONENTS



# DRIVELINE

## TR7 & TR8 5 SPEED GEARBOX & MISCELLANEOUS COMPONENTS

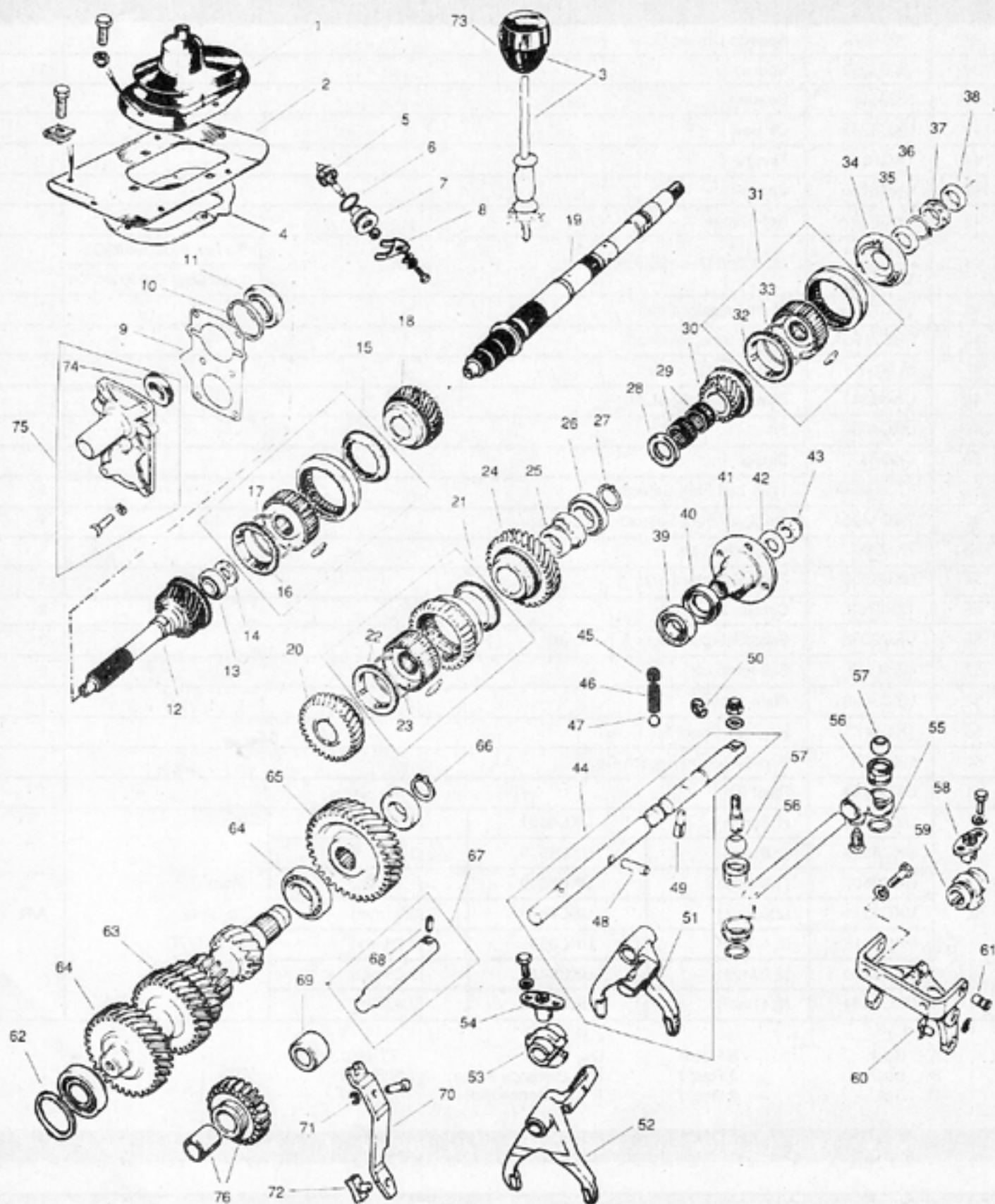
Ill. No.	Part No.	Description	Qty. Req'd.			
37	TKC1273	Speedo Driving Gear	1			
38	UKC7252	Spacer	1			
39	533360	Bearing	1			
40	UKC3949	Oil Seal	1			
41	TKC1676	Flange	1			
42	UKC8120	Spacer	1			
43	UKC6797	Nut-Flange	1			
44	TKC2684	1st & 2nd Gear Selector Shaft	To Gbx# CL39000C			
	TKC4010		From Gbx# CL39000C On			
45	UKC75	Shim-Selector Shaft	1			
46	FRC7195A	Spring-Selector Shaft	1			
47	BLS112	Ball-Selector Shaft	1			
48	UKC6347	Dowel-Selector Shaft	1			
49	UKC4030	Pin	1			
50	UKC73	Circlip	1			
51	FTC1489A	1st & 2nd Fork Selector	1			
52	FTC1490A	3rd & 4th Fork Selector	1			
53	TKC290	Interlock Spool	1			
54	UKC3650	Plate-Selector Fork	1			
55	13H6762	Circlip	2			
56	UKC9338	Seal-Gearbox Lever & Selector	2			
57	42H1112	Ball-Interlock	2			
58	UKC3696	Plate Assy.	1			
59	TKC1413	Interlock Spool-5th Gear	1			
60	532943A	Pad-Selector Fork-5th Gear	1			
61	UKC2089	Pivot Pin	1			
62	UKC8499	(1.69mm)	UKC8501	(1.75mm)	Shim To Gbx# CL22477C	A/R
	UKC8503	(1.81mm)	UKC8505	(1.87mm)		
	UKC8507	(1.93mm)	UKC8509	(1.99mm)		
	UKC8511	(2.05mm)	UKC8513	(2.11mm)		
	UKC8515	(2.17mm)	UKC8517	(2.23mm)		
	UKC9420	(2.29mm)	UKC9422	(2.35mm)		
	UKC9424	(2.41mm)	UKC9426	(2.47mm)		

A	Bush	6 Req'd	D	Bolt	2 Req'd
B	Bush	2 Req'd	E	Distance Piece	2 Req'd
C	Bolt	2 Req'd	F	Distance Piece	2 Req'd

*If No Year Or Model Is Mentioned, Part Number Fits Both TR7 & TR8.*

# DRIVELINE

## TR7 & TR8 5 SPEED GEARBOX & MISCELLANEOUS COMPONENTS



# DRIVELINE

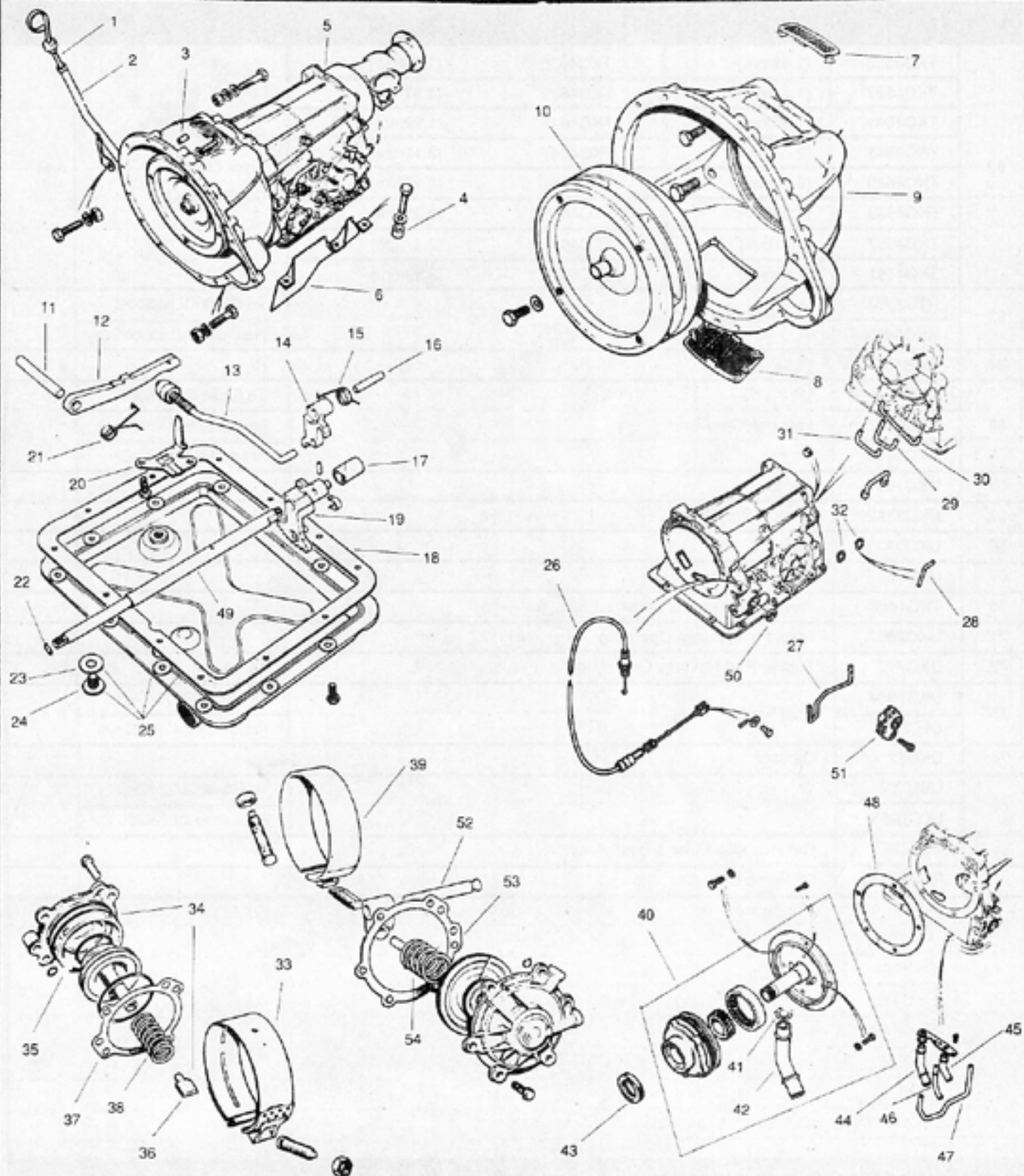
## TR7 & TR8 5 SPEED GEARBOX & MISCELLANEOUS COMPONENTS

Ill. No.	Part No.	Description	Qty. Req'd.	
62	TKC4633	(1.69mm)	Shim From Gbx# CL22477C On	A/R
	TKC4635	(1.75mm)		
	TKC4637	(1.81mm)		
	TKC4639	(1.87mm)		
	TKC4641	(1.93mm)		
	TKC4643	(1.99mm)		
	TKC4645	(2.05mm)		
	TKC4647	(2.11mm)		
63	TKC4649	(2.17mm)	To Gbx# CL45500C From Gbx# CL45500C On	1
	TKC4651	(2.23mm)		
	TKC4653	(2.29mm)		
	TKC4655	(2.35mm)		
	TKC4657	(2.41mm)		
	TKC4659	(2.47mm)		
	TKC4661	(2.53mm)		
63	RKC5415	Layshaft Cluster Gear	To Gbx# CL45500C From Gbx# CL45500C On	1
	RTC2562	Layshaft Cluster Gear	To Gbx# CL45500C From Gbx# CL45500C On	1
64	GHB101	Roller Bearing		2
65	TKC63	Layshaft Gear-5th	To Gbx# CL45500C	1
	TKC5317		Gbx# CL45500C-VIN402027	
	RKC5099		From VIN402027 On	
66	UKC1690	Circlip		1
67	UKC3152	Shaft & Pin Assy.		1
68	UKC18	Dowel		1
69	UKC683	Bush		1
70	TKC1428	Reverse Operating Lever		1
71	UKC2662	Pivot Pin-Reverse Operating		1
72	UKC772	Slipper Pad-Reverse Operating		1
73	UKC3004	Shift Knob	To VIN# 403723	1
	ULC3209		From VIN# 403723 On	
74	UKC12	Oil Seal		1
75	UKC166	Front Cover	To Gbx# CL22476C	1
	ULC1283		From Gbx# CL22476C On	
76	ULC4099	Reverse Idler Gear & Bush Assy.		1
--	RTC2057J	Oil Pump Gear Kit		1

If No Year Or Model Is Mentioned, Part Number Fits Both TR7 & TR8.

# DRIVELINE

## TR7 & TR8 AUTOMATIC GEARBOX & COMPONENTS



# DRIVELINE

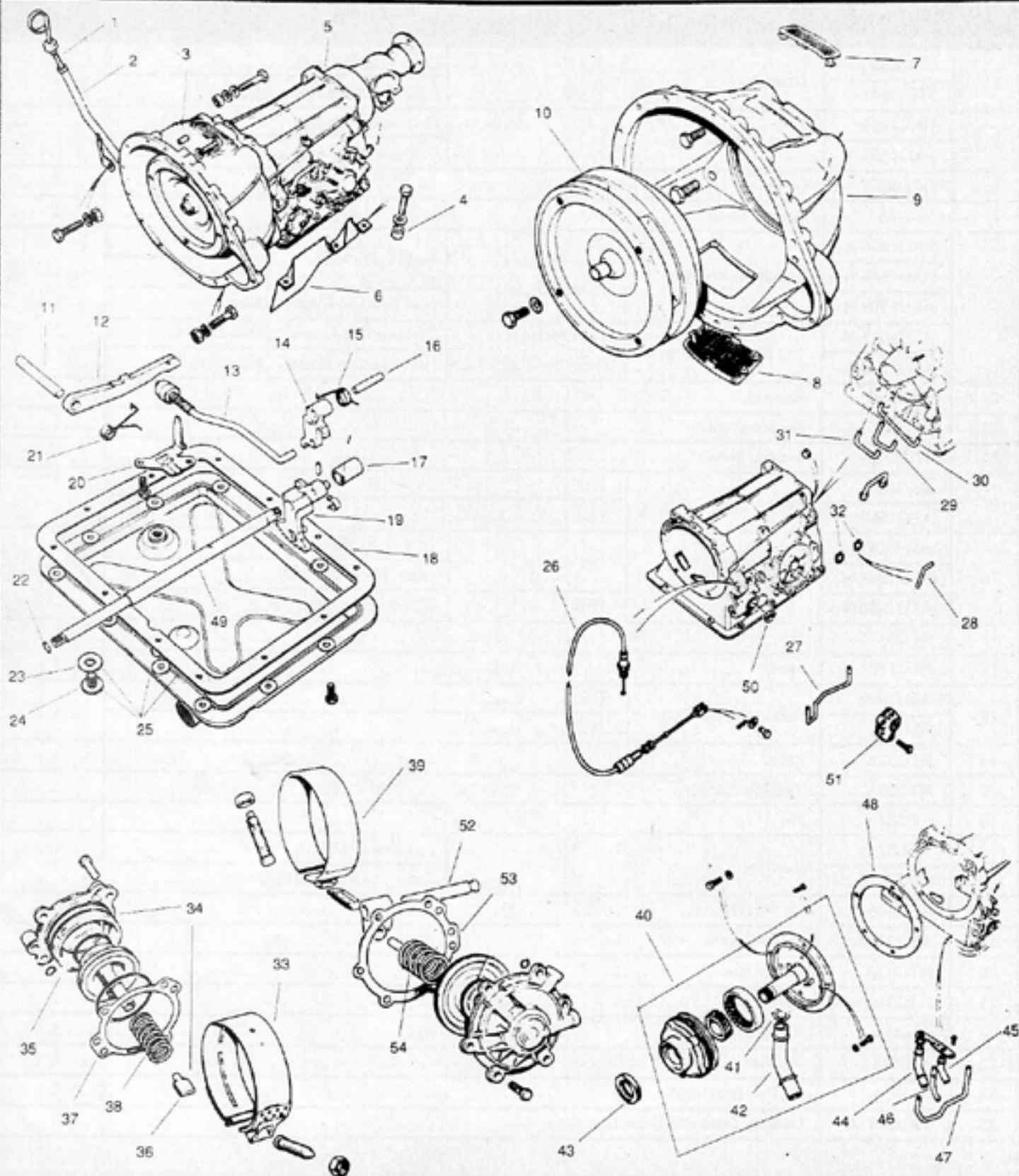
## TR7 & TR8 AUTOMATIC GEARBOX & COMPONENTS

Ill. No.	Part No.	Description	Qty. Req'd.		
1	UKC5590	Dipstick	Carburettor Models		
	FRC3541		Fuel Injection Models		
2	RKC1899	Dipstick Tube	Carburettor Models		
	PKC1335		Fuel Injection Models		
3	DP608	Dowel	1		
4	160283	Spacer-Bush	3		
5	AAU1899/N	Tail Shaft Housing	Type 65 Units	Carburettor Models	New Unit
	AAU1889/R		To VIN 402027	Fuel Injection Models	Rebuilt Unit
	AEU1509/N	Tail Shaft Housing	Type 66 Units	Carburettor Models	New Unit
	AEU1611/N		From Vin 402027 On	Fuel Injection Models	New Unit
AEU1612/N					
6	UKC798	Bracket	1		
7	C39246	Access Plate	1		
8	37H3728	Access Plate	1		
9	RKC45	Bell Housing	TR7	1	
	AEU1353		TR8		
10	601000RA	Torque Converter	To VIN 402027	1	
	AEU1637/N		TR7		From VIN 402027 On
	AEU1286/N		TR8		All Models
11	RTC30	Pin	1		
12	RTC177	Lever	1		
13	AEU1902	Parking Brake Rod	TR7	1	
	RTC82		TR8		
14	RTC32A	Lever	1		
15	RTC33A	Tension Spring	1		
16	RTC34	Pin	1		
17	RTC87	Bushing	To Gbx# 27M6915	1	
	AEU1072		From Gbx# 27M6915 On		
18	AAU8434A	Oil Pan Gasket	1		
19	AEU1070	Lever-Detent	1		
20	RTC83A	Cam Plate	1		
21	RTC31A	Spring	1		
22	RTC9A	"O" Ring	1		
23	37H555	Washer	1		
24	520654	Oil Pan Drain Bolt	1		
25	AAU2717A	Oil Pan, Gasket & Drain Bolt Assy.	1		

If No Year Or Model Is Mentioned, Part Number Fits Both TR7 & TR8

# DRIVELINE

## TR7 & TR8 AUTOMATIC GEARBOX & COMPONENTS



# DRIVELINE

## TR7 & TR8 AUTOMATIC GEARBOX & COMPONENTS

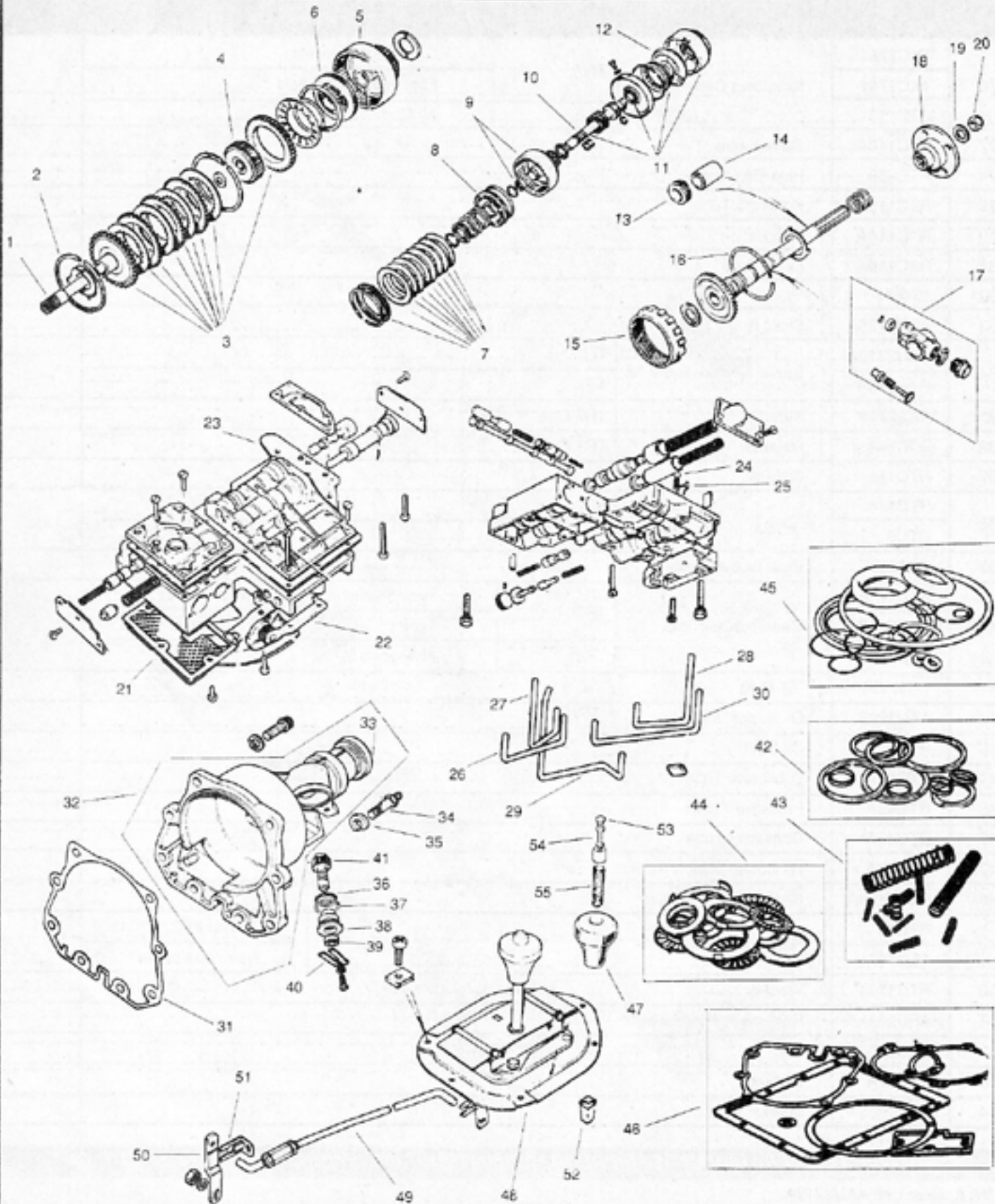
Ill. No.	Part No.	Description	Qty. Req'd.			
26	TKC3760	Kickdown Cable	TR7	Carburettor Models	1	
	TKC3761			Fuel Injection Models		
	RTC117		TR8	All Models		
27	RTC110A	Tube-Servo		1		
28	RTC458	Pipe-Oil Cooler		1		
29	RTC115A	Pressure Tube		1		
30	RTC116A	Lubrication Tube		1		
31	RTC114A	Feed Tube		1		
32	154865	Union		1		
33	AEU4128A	Front Brake Band		1		
34	AAU2719A	Servo & Brake Band Kit	TR7	1		
	RTC246A		TR8			
35	AAU2719*	Servo	TR7 Only	1		
36	RTC243	Retainer	TR7 Only	1		
37	RTC11A	Gasket		1		
38	RTC176	Spring	TR7	1		
	RTC8		TR8			
39	JLM247	Rear Brake Band		1		
40	BAU1710A	Gearbox Oil Pump	TR7	Type 65 Unit	To VIN 402027	1
	AEU2492A			Type 66 Unit	From Vin 402027 On	
	AEU2492A		TR8	All Models		
41	17H3309	"O" Ring		1		
42	AAU3208	Oil Supply Pipe		1		
43	RTC39	Oil Seal		1		
44	RTC47A	Lubricator Tube		1		
45	RTC48A	Pressure Tube		1		
46	RTC49A	Converter Tube		1		
47	RTC50A	Oil Cooler Supply Tube		1		
48	RTC1196A	Gasket-Pump Adaptor		1		
49	RTC86	Rod		To Gbx# 027M6915	1	
	AEU1071			From Gbx# 027M6915 On		
50	RTC1704	Washer		1		
51	AEU1101	Reverse Inhibitor Switch		1		
52	RTC28	Rod		1		
53	RTC19A	Gasket		1		
54	RTC17	Spring		1		

*If No Year Or Model is Mentioned, Part Number Fits Both TR7 & TR8.*

\*NLA, Must Use AAU2719A

# DRIVELINE

## TR7 & TR8 AUTOMATIC GEARBOX & COMPONENTS



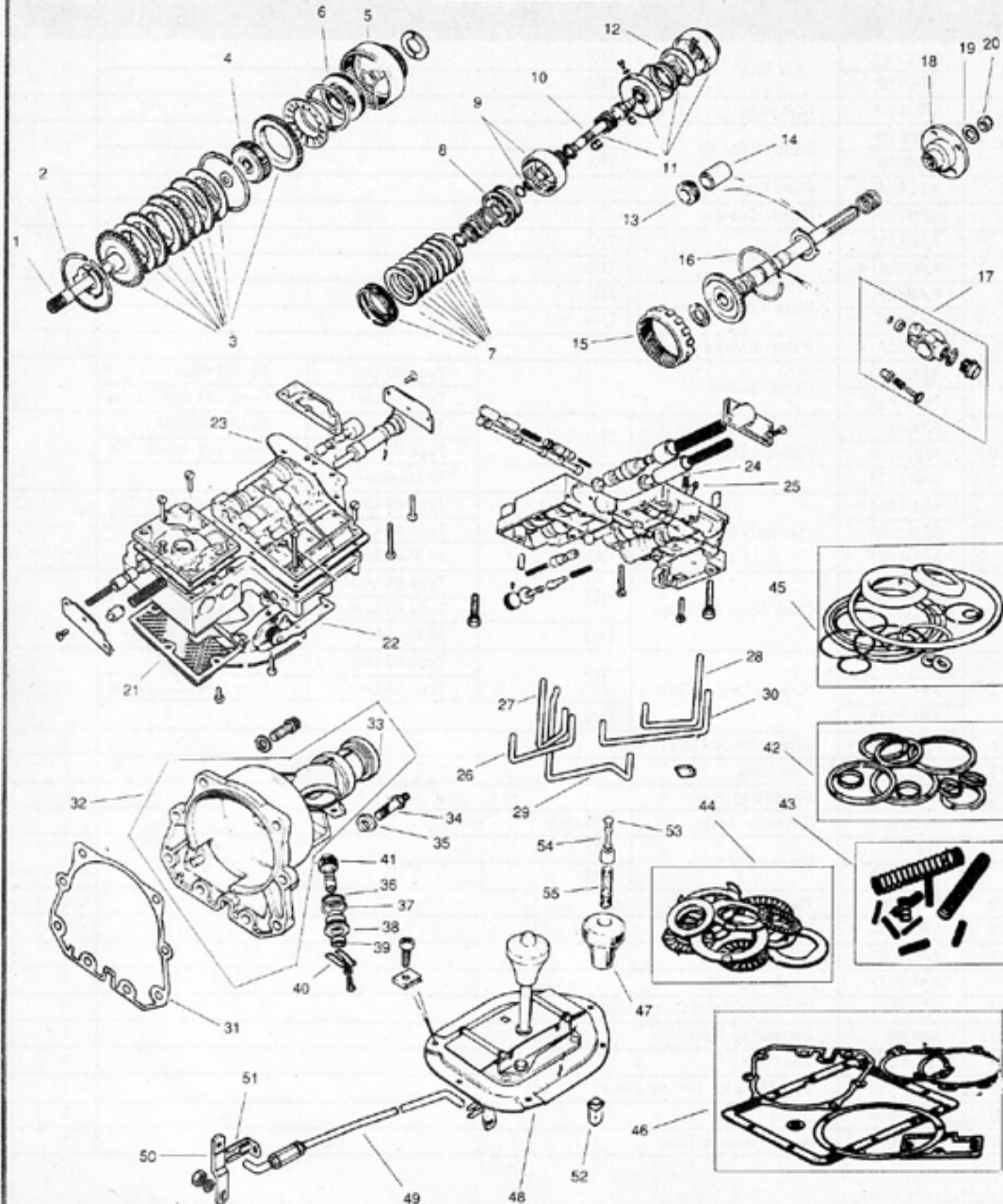
# DRIVELINE

## TR7 & TR8 AUTOMATIC GEARBOX & COMPONENTS

Ill. No.	Part No.	Description	Qty. Req'd.	
1	601028	Input Shaft	TR7	1
	RTC178		TR8	
2	RTC59	Split Ring		1
3	GAB505	Clutch Plate Kit	TR7	1
	GAB506		TR8	
4	RTC57A	Front Clutch Hub		1
5	AEU2801	Clutch Cylinder		1
6	AAU8082	Piston & Valve Assy.	TR7	1
	AAU8081A		TR8	
7	GAB607	Plate Kit	TR7	1
	GAB505		TR8	
8	RTC60A	Piston & Valve-Rear Clutch		1
9	AEU1073	Clutch Basket	Type 65 Unit	To VIN 402027
	AEU1600		Type 66 Unit	From VIN 402027 On
10	RTC45	Forward Gear	TR7	1
	AEU1639		TR8	
11	AAU2074	Planetary Set	All Models	1
	AEU1964A		Type 65 Unit	
12	AEU1599	Outer Race & Circlip	Type 66 Unit	From NIM 402027 On
	AEU1287		All Models	
13	RTC537A	Speedo Driving Gear	TR7	1
	AEU1615		TR8	
14	22G1753	Spacer for Speedo Wheel	Type 65 Unit	To VIN 402027
	AEU1713		Type 66 Unit	From VIN 402027 On
15	AEU1515	Ring Gear	TR7	1
	22G1704		TR8	
16	RTC75A	Snap Ring		1
17	607448	Governor Assy.	TR8 Only	1
18	155755	Mainshaft Flange	TR7	1
	AAU6467		TR8	
19	PWZ110	Washer		1
20	510618A	Nyloc Nut		1
21	AAU7085A	Filter		1
--	AAU2073A	Gasket for Filter		1
22	RTC99	Downshift Valve Cam Assy.		1
23	520635	Separating Plate		1
24	BLS108	Steel Ball		1
25	AEU1053	Stop Plate for Throttle Valve		1
26	RTC108A	Servo Tube		1
27	RTC109A	Servo Release Tube		1

# DRIVELINE

## TR7 & TR8 AUTOMATIC GEARBOX & COMPONENTS



# DRIVELINE

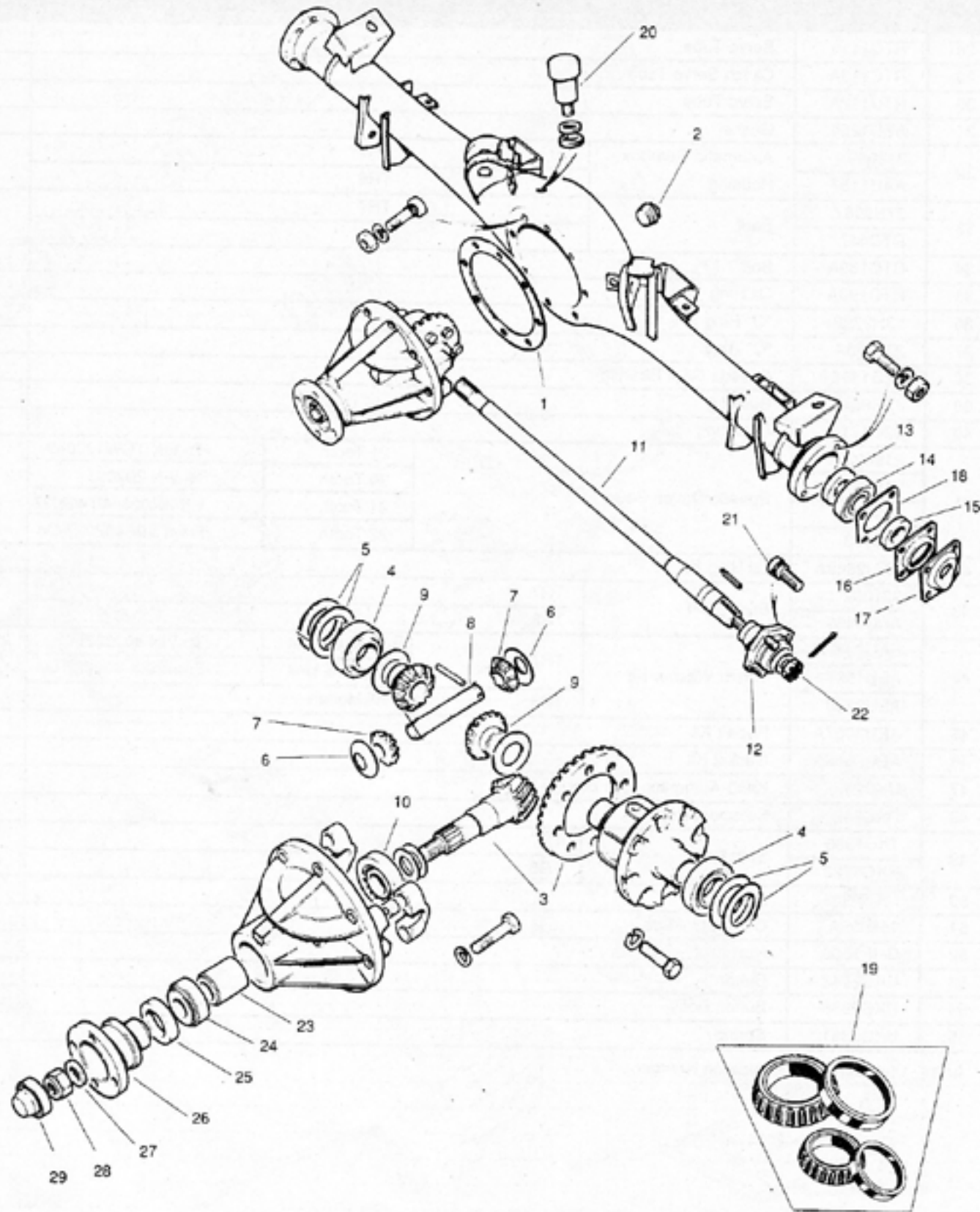
## TR7 & TR8 AUTOMATIC GEARBOX & COMPONENTS

Ill. No.	Part No.	Description	Qty. Req'd.		
28	RTC111	Servo Tube	1		
29	RTC113A	Clutch Servo Tube	1		
30	RTC112A	Servo Tube	1		
31	AEU1264	Gasket	1		
32	312039	Automatic Gearbox	TR7	1	
	AAU1157	Housing	TR8		
33	37H6987	Seal	TR7	1	
	RTC447		TR8		
34	RTC189A	Bolt	2		
35	RTC190A	Oil Ring	2		
36	13H2792	"O" Ring	1		
37	271013A	"O" Ring	1		
38	22G1486	Speedo Gear Bearing	1		
39	13H6044	Bushing	1		
40	22G1711	Retaining Plate	1		
41	219002	Speedo Driven Gear	21 Tooth	To VIN TCW100049	1
	219001		20 Tooth	To VIN 202093	
	219002		21 Tooth	VIN 202093-VIN 402027	
	219003		22 Tooth	From VIN 402027 On	
42	AEU2868A	Oil Ring Kit	1		
43	521052	Spring Set	TR7	1	
	AAU9435		TR8		
44	BAU2042A	Thrust Washer Kit	Type 65 Unit	To VIN 402027	1
	AEU1597		Type 66 Unit	From VIN 402027 On	
	AEU2730		All Models		
45	AEU3007A	Repair Kit	1		
46	AEU3008A	Gasket Kit	1		
47	UKC2986	Knob-Automatic Gearbox	1		
48	RKC818	Selector Assy.	1		
49	TKC1380	Shift Rod	TR7	1	
	RKC3723		TR8		
50	UKC9955	Lever	1		
51	155455A	Clip for Linkage	1		
52	GHF1000	Nut	1		
53	UKC2942	Button	1		
54	UKC2936	Button Body	1		
55	UKC2381	Spring	1		

NOTE: VIN=Vehicle Identification Number.

# DRIVELINE

## TR7 4 SPEED MANUAL & AUTOMATIC TRANSMISSION REAR AXLE & DRIVESHAFT



# DRIVELINE

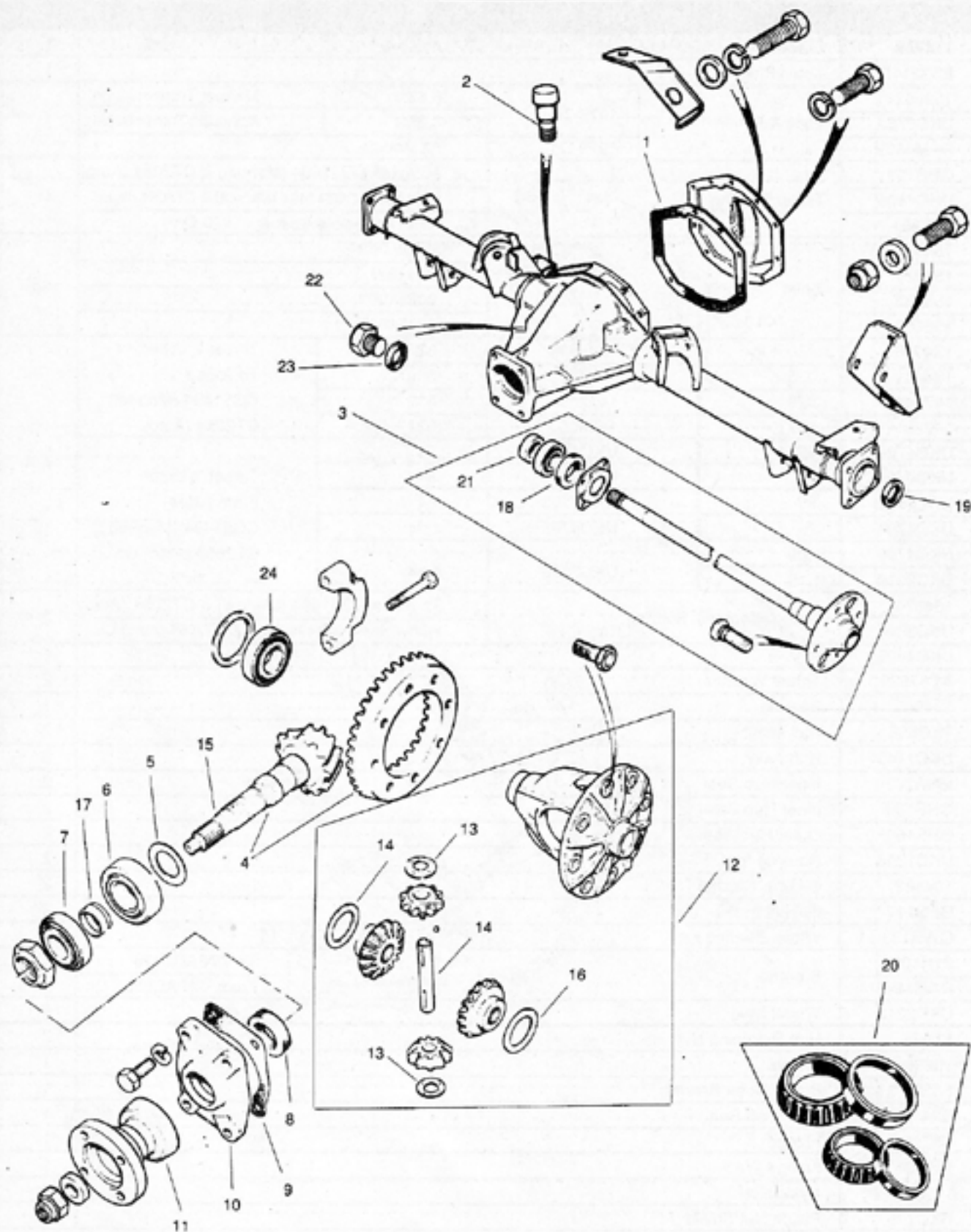
## TR7 4 SPEED MANUAL & AUTOMATIC GEARBOX REAR AXLE & DRIVESHAFT

Ill. No.	Part No.	Description	Qty. Req'd.			
1	114749	Gasket	1			
2	22G2115	Drain Plug	1			
3	159802	Ring & Pinion	3.63:1 Manual Transmission			
	UKC6733		1975-79 3.27:1 Automatic Transmission			
	DAM4589		1979 On All Models			
4	GHB104	Roller Bearing	To Axle# CG51494 (Manual) & CT2054 (Auto)			
	UKC4805		From Axle# CG541494 (Manual) & CT2054 (Auto)			
	C15351		Non-Collapsible Spacer 1979 On			
5	154921	Shim	.0092/.009			
	154925		.019/.021			
	156082		.0025/.003			
	156083		.0045/.005			
6	134076	.030	138440	.027	Thrust Washer To Axle # CG51494 (Manual) CT2054 (Auto)	A/R
	138441	.035	138442	.039		
	147249	.029	147250	.033		
	147251	.037	148805	.014		
	UKC4786	.69	UKC4789	.74	Thrust Washer From Axle# CG51494 (Manual) CT2054 (Auto) On	
	UKC4790	.79	UKC4791	.84		
	UKC4792	.89	UKC4793	.94		
	UKC4794	.99	UKC4795	1.04		
	UKC4796	1.09	UKC2029	1.14		
	UKC2030	1.19				
7	134074	Gear-Differential Bearing	To Axle# CG51494 (Manual) & CT2054 (Auto)	2		
	UKC3365		From Axle# CG51494 (Man) & CT2054 (Auto) On			
8	UKC4493	Pin	1			
9	ATA7039	Thrust Washer	2			
10	134065	Bearing	1			
11	TKC558	Half shaft	2			
12	UKC1343	Hub Assy.	2			
13	MNA203	Inner Hub Seal	2			
14	GHB180	Inner Hub Bearing	2			
15	GHS184	Outer Hub Seal	2			
16	UKC1218	Housing for Oil Seal	2			
17	104582	Oil Drip Catcher	2			
18	GFG117	Gasket	2			
19	QWB133C	Wheel Bearing Kit	Includes Ill.# 13, 14, 15 2			
20	21H6060	Breather	To VIN ACL338	1		
	DAM1695		From VIN ACL338 On			
21	UKC2213	Wheel Stud	8			
22	21A79	Hub Retaining Nut	2			
23	156903	Sleeve	1			
24	BTB440	Pinion Nose Bearing	1			
25	DAM5079	Oil Pinion Seal	1			
26	UKC764	Flange	1			
27	142333	Flange Washer	1			
28	159394	Nyloc Nut	1			
29	UKC725	Pinion Nut Shield	1			

NOTE: VIN=Vehicle Identification Number Manual=Manual Transmission (4 Speed or 5 Speed). Auto=Automatic Transmission

# DRIVELINE

## TR7 & TR8 5 SPEED GEARBOX & AUTOMATIC GEARBOX FROM VIN 402001 ON REAR AXLE & DRIVESHAFT



# DRIVELINE

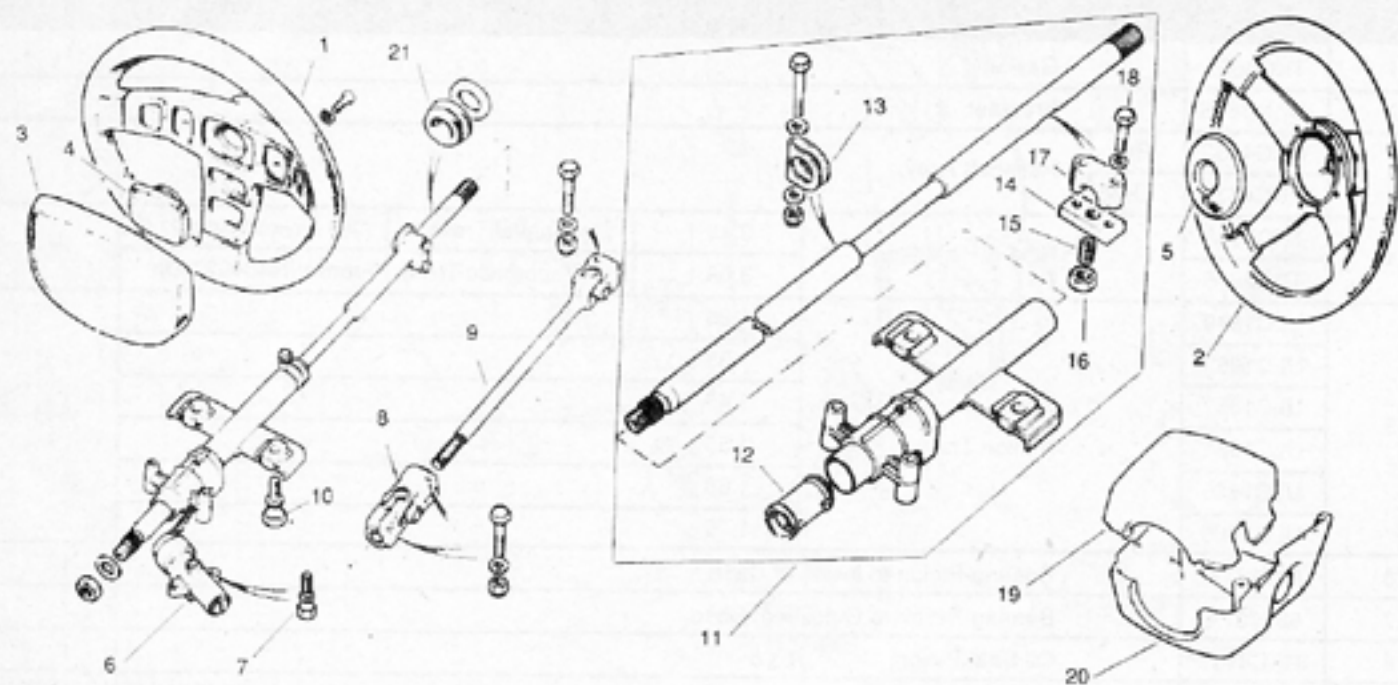
## TR7 & TR8 5 SPEED GEARBOX & AUTOMATIC GEARBOX FROM VIN 402001 ON REAR AXLE & DRIVESHAFT

Ill. No.	Part No.	Description	Qty. Req'd.			
1	TKC456	Gasket	1			
2	DAM1695	Breather	1			
3	RKC4632	RH	Halfshaft Assy.	1		
	RKC4633	LH				
4	TKC2946	Ring & Pinion	3.45:1	Manual Trans.	1980 From VIN402027 On	1
	TKC2945		3.08:1	Automatic Trans.		
5	ULC1849	Shim (Pinion Thrust)	1.25	A/R		
	ULC1853		1.35			
	ULC1857		1.45			
	ULC1861		1.55			
	ULC1865		1.65			
	ULC1869		1.75			
6	607181A	Bearing-Pinion to Inside of Case	1			
7	539707A	Bearing-Pinion to Outside of Case	1			
8	UKC4995	Oil Seal-Pinion <i>3650</i>	1			
9	UKC2940	Gasket-Housing	1			
10	TKC302	Oil Seal Housing	1			
11	UKC3877	Flange	1			
12	RTC2061	Differential Case & Gear Kit	1			
13	102801	Thrust Washer	2			
14	ULC1116	Pin	1			
15	UKC976	Pinion	2			
16	UKC964	Thrust Washer	1.17/1.22 mm	A/R		
	UKC965		1.24/1.30 mm			
	UKC966		1.30/1.35 mm			
	UKC967		1.35/1.40 mm			
	UKC968		1.40/1.45 mm			
	UKC969		1.45/1.50 mm			
	UKC970		1.50/1.55 mm			
	UKC971		1.55/1.60 mm			
	UKC972		1.60/1.65 mm			
17	UKC979	Collapsible Spacer Between Pinion Bearings	1			
18	GHS187	Inner Seal	2			
19	GHS188	Outer Seal	2			
20	BK201	Rear Wheel Bearing Kit	Includes Inner & Outer Seal, Bearing & Circlip	2		
21	ULC2350	Spacer	2			
22	UKC26	Drain Plug	1			
23	WF513	Fiber Washer	1			
24	UKC981	Roller Bearing	1			



# STEERING

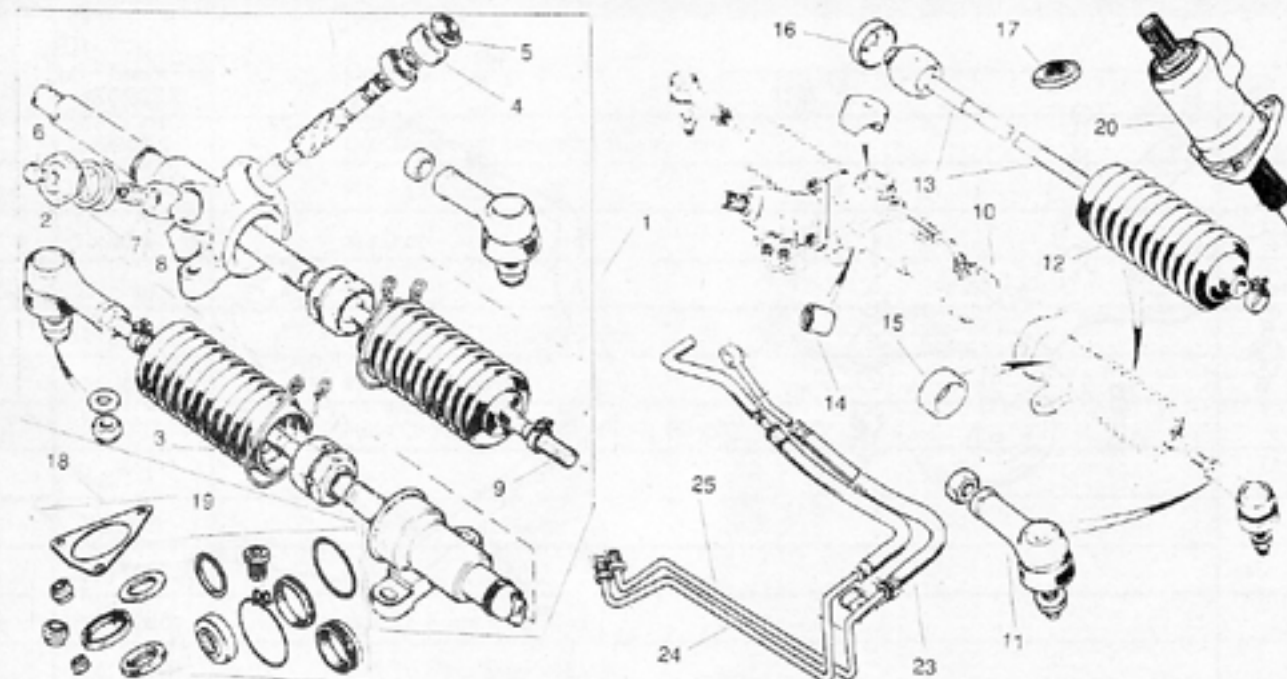
## TR7 & TR8 STEERING COLUMN & COMPONENTS



Ill. No.	Part No.	Description	Qty. Req'd.
1	RKC509	Steering Wheel	TR7
	RKC2110	Steering Wheel	TR8
2	PKC1295	Steering Wheel Pad	To VIN 200001
			From VIN 200001 On
3	RKC82	Steering Wheel Pad	TR7
4	UKC3016	Steering Wheel Pad	To VIN 200001
			From VIN 200001 On
5	ULC2999	Steering Wheel Pad	TR8
6	TKC2308	Steering Column Switch	TR7
	BAU4944		TR8
7	152597	Bolt	2
8	UKC2449	Upper Steering Knuckle	1
9	TKC1084	Lower Steering Shaft	TR7
	UKC7951		TR8
10	UKC3010	Bolt	TR7
	TKC5780		TR8
11	RKC552	Upper Column	1
12	34G120	Sleeve	2
13	UKC2323	Clamp	1
14	125782	Clamp-Bottom	1
15	125781	Screw	1
16	JN2110	Adjusting Nut	1
17	122669	Clamp-Top	1
18	BH604101	Bolt	2
19	XKC593	Plastic Cover-Top	1
20	XKC594	Plastic Cover-Bottom	1
21	UKC2322	Steering Shaft Bushing	1

# STEERING

## TR7 & TR8 STEERING RACK & COMPONENTS

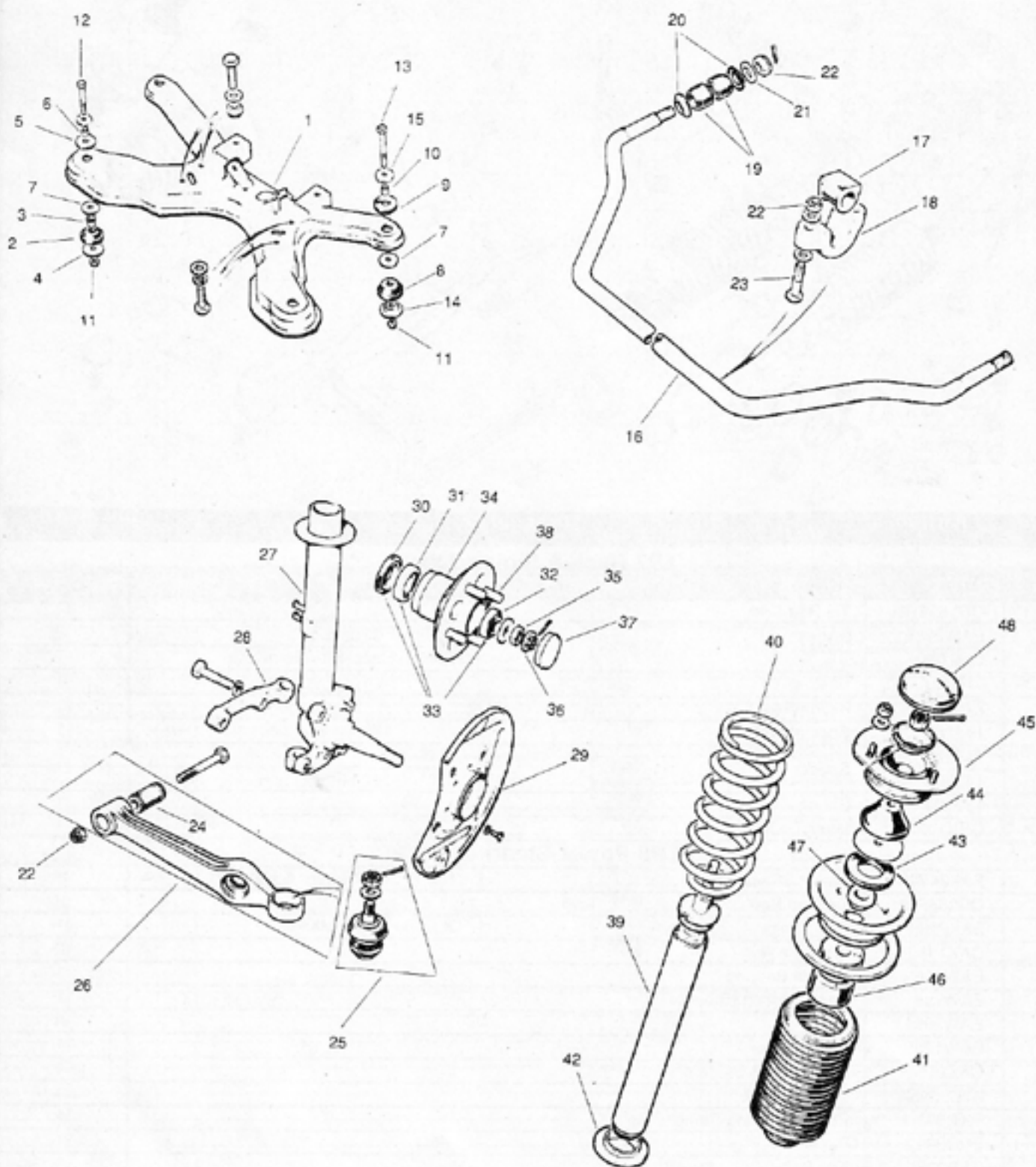


Ill. No.	Part No.	Description	Qty. Req'd.
<b>TR7 Rack &amp; Pinion Assy.</b>			
1	BAU5275	Rack & Pinion	1
2	QR1556RH	Tie Rod End	2
3	EAW2255	Gaiter	Original Equipment
			Quinton Hazel Kit-Aftermarket
4	514903	Bearing	1
5	EAW1381	Pinion Seal	1
6	133103	Special Bolt	1
7	143822	Spacer	.004"
			.010"
8	139129	Spring	1
9	GSV1032	Inner Tie Rod	1
<b>TR8 Power Steering Rack</b>			
10	BAX2170R	Power Steering Rack	*R & R Only (Return & Rebuild)
11	QR1556RH	Tie Rod End	2
12	BAX2189	Rack Gaiter-Original	OG1000 After Market
13	CAX1489	Inner Tie Rod	2
14	EAW3059	Needle Bearing	1
15	EAW799	Rack Bearing (Sleeve)	1
16	EAW2951	Cup	2
17	EBW1135	Valve Cover	1
18	CAX2190	Pinion Head Seal Kit	1
19	RTC2393A	Rack Seal Kit	1
20	RKC971	Power Steering Pump	1
21	ERC2312	Pulley	1
22	GFB20864	Fan Belt	1
23	TKC4123	Hose-Pump To Rack	High Pressure
24	TKC3655	Hose-Rack To Hose	High Pressure
25	UKC8617	Hose-Attached To High Press. Hose	Low Pressure

\*R & R-Return & Rebuild. Send old rack to us and we will rebuild and return it to you. There is no core charge

# SUSPENSION

## TR7 & TR8 FRONT SUSPENSION



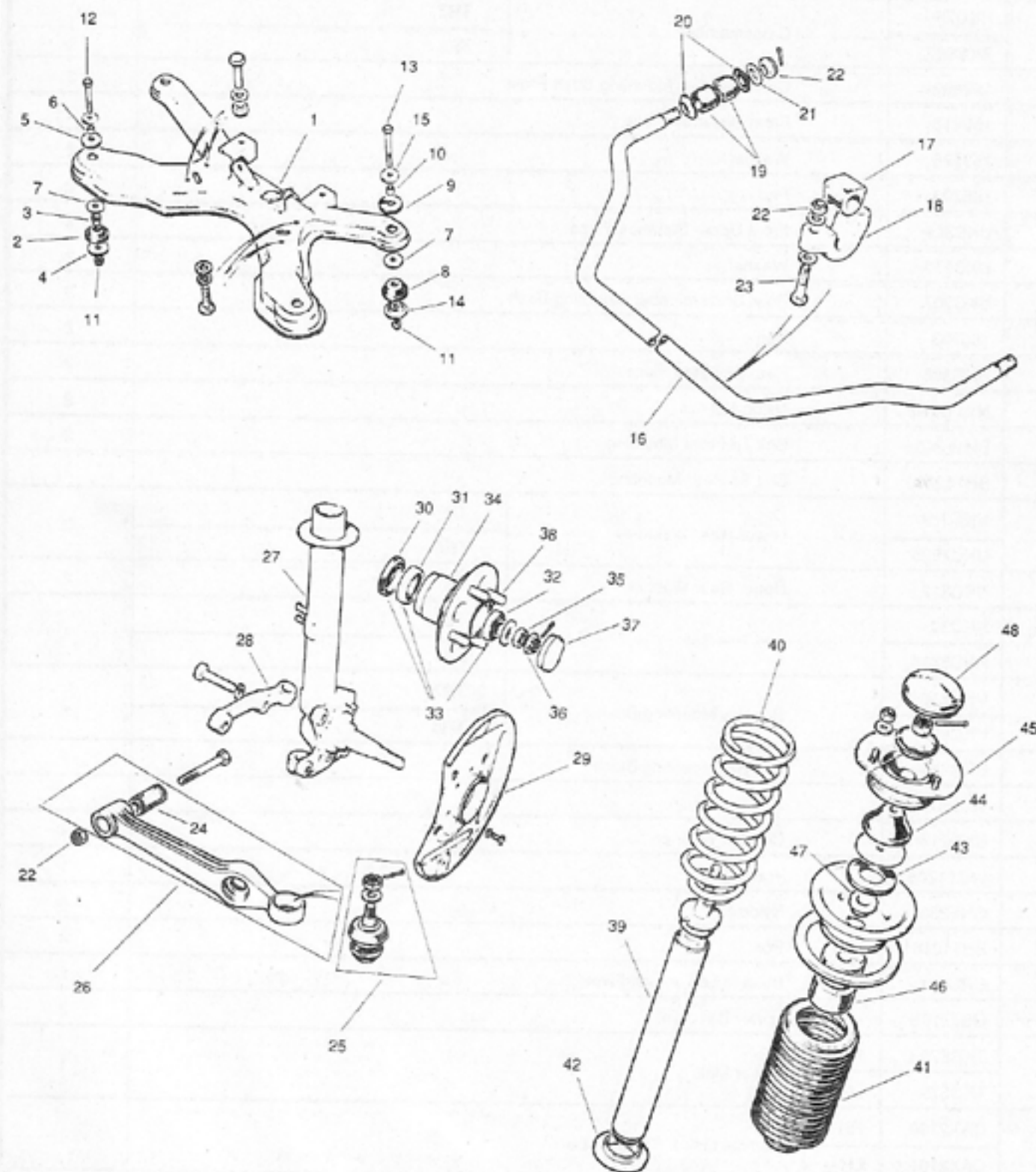
# SUSPENSION

## TR7 & TR8 FRONT SUSPENSION

Ill. No.	Part No.	Description	Qty. Req'd.
1	RKC75	Crossmember	TR7
	RKC927		TR8
2	159209	Crossmember Mounting Bush-Front	2
3	159212	Front Distance Piece	2
4	159798	Washer	2
5	155793	Pad	2
6	UKC308	Front Upper Distance Piece	2
7	UKC670	Washer	2
8	UKC307	Rear Crossmember Mounting Bush	2
9	155793	Pad	2
10	UKC308	Rear Distance Piece	2
11	NY112041	Nyloc Nut	2
12	BH112401	Bolt To Front Mounting	2
13	BH112281	Bolt To Rear Mounting	2
14	UKC310	Lower Rear Washer	TR7
	UKC7925		TR8
15	UKC312	Upper Rear Washer	TR7 Only 2
16	RKC30	Anti-Roll Bar	TR7
	RKC3310		TR8 1
17	UKC210	Roll Bar Mounting Bush	TR7
	UKC8917		TR8 2
18	UKC3059	Roll Bar Mounting Block	2
19	TKC6097	Link End Bush	4
20	UKC214	Cupped Washer	4
21	WC112081	Washer	1
22	GHF233	Nyloc Nut	4
23	BH110161	Bolt	4
24	CRC307	Bush In Lower Link Pivot	2
25	QSJ718S	Lower Ball Joint	2
26	TKC878	RH	Lower Link
	TKC879	LH	
27	CAX2100	RH	Vertical Link & Shock Tube
	CAX2101	LH	
28	TKC3776	RH	Steering Arm
	TKC3777	LH	

# SUSPENSION

## TR7 & TR8 FRONT SUSPENSION



# SUSPENSION

## TR7 & TR8 FRONT SUSPENSION

Ill. No.	Part No.	Description	Qty. Req'd.	
29	RKC802	Brake Disc Dust Shield	TR7	2
	TKC3084	RH	TR8	1
	TKC3085	LH		
30	GHS126*	Inner Wheel Bearing Seal		2
31	GHB101*	Inner Wheel Bearing		2
32	GHB107*	Outer Wheel Bearing		2
33	QWB191C	Front Wheel Bearing Kit	Includes Ill. # 30 through 32	2
34	UKC7310	Front Hub		2
35	21H5128	Nut		2
36	21H5129	Slotted Keeper		2
37	2A4067	Grease Cap		2
38	UKC2213	Stud-Front Hub		8
39	GDA3000	Strut Cartridge	TR7	2
	AAU7176		TR8	1
40	GSV1029	Spring	A/C Models	TR7 & TR8
	TKC1328	Spring	Non-A/C Models	
	TKC3088			
41	UKC4981	Dust Boot		2
42	UKC628	Seal		2
43	ULC2043	Rubber Washer	TR7	2
			TR8	
44	UKC7495	Cone Shaped Packing Piece	TR7	2
			TR8	
45	TKC1205	Upper Strut Mounting		2
46	UKC1101	Insulator		2
47	UKC329	Distance Piece		2
48	ZKC804	Dust Cap		2

\*See Ill. # 33 for kit.

NOTE: A/C=Air Conditioning

### COIL SPRING COMPRESSOR Part Number KP150

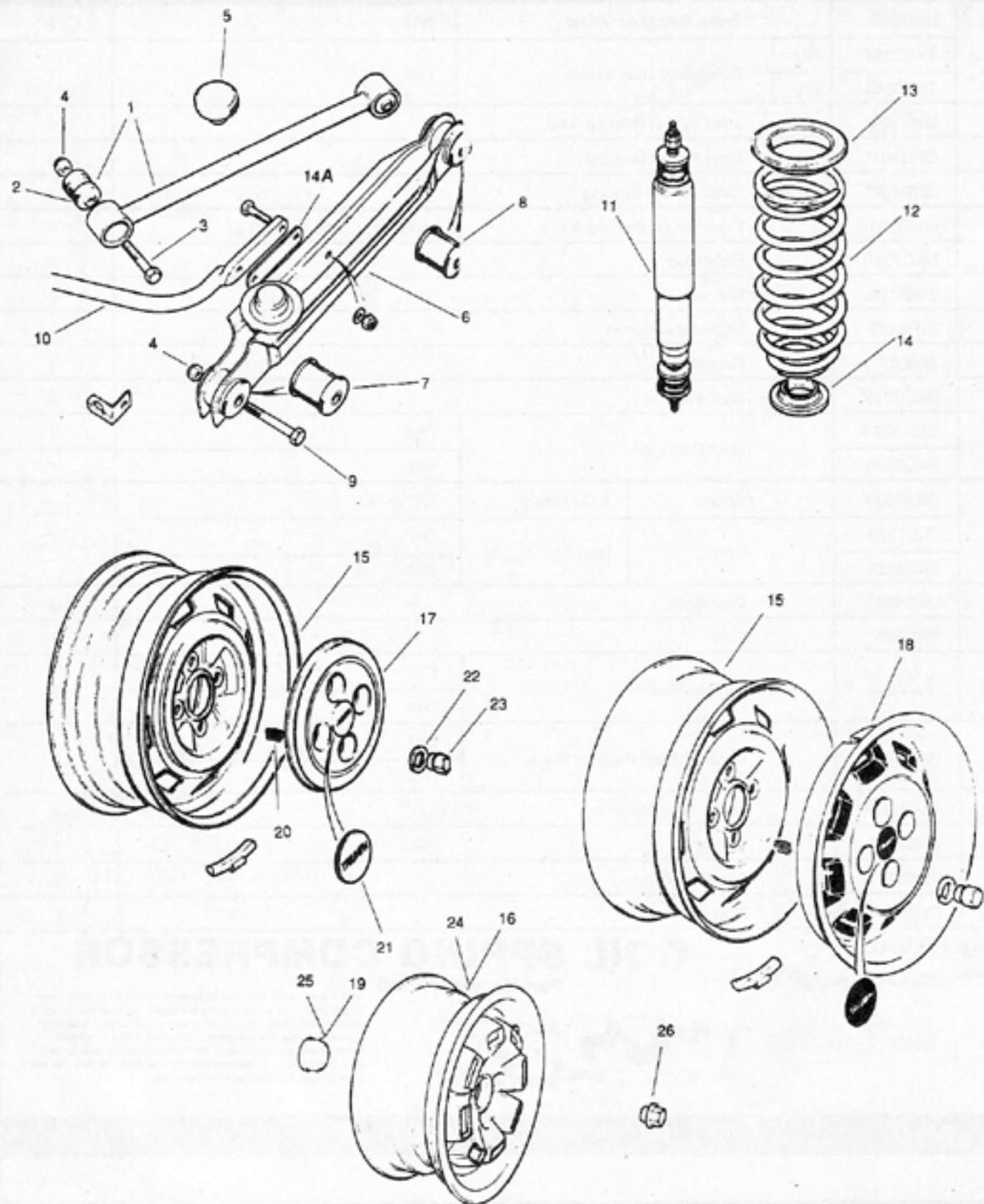


Sold in pairs, each individual compressor is on a 9 1/2" long, heat-treated stud. The gripping hooks are forged and then coated with a red, non-slip, plastic. Each hook is also slightly sloped to allow for the natural slope of a coil spring. The compressors come with comprehensive instructions for their use and can be used on any type of coil springs or coil over MacPherson Strut provided, the coil to be gripped is not too large for the hooks.

If No Year Or Model Is Mentioned, Part Number Fits Both TR7 & TR8

# SUSPENSION

## TR7 & TR8 REAR SUSPENSION



# SUSPENSION

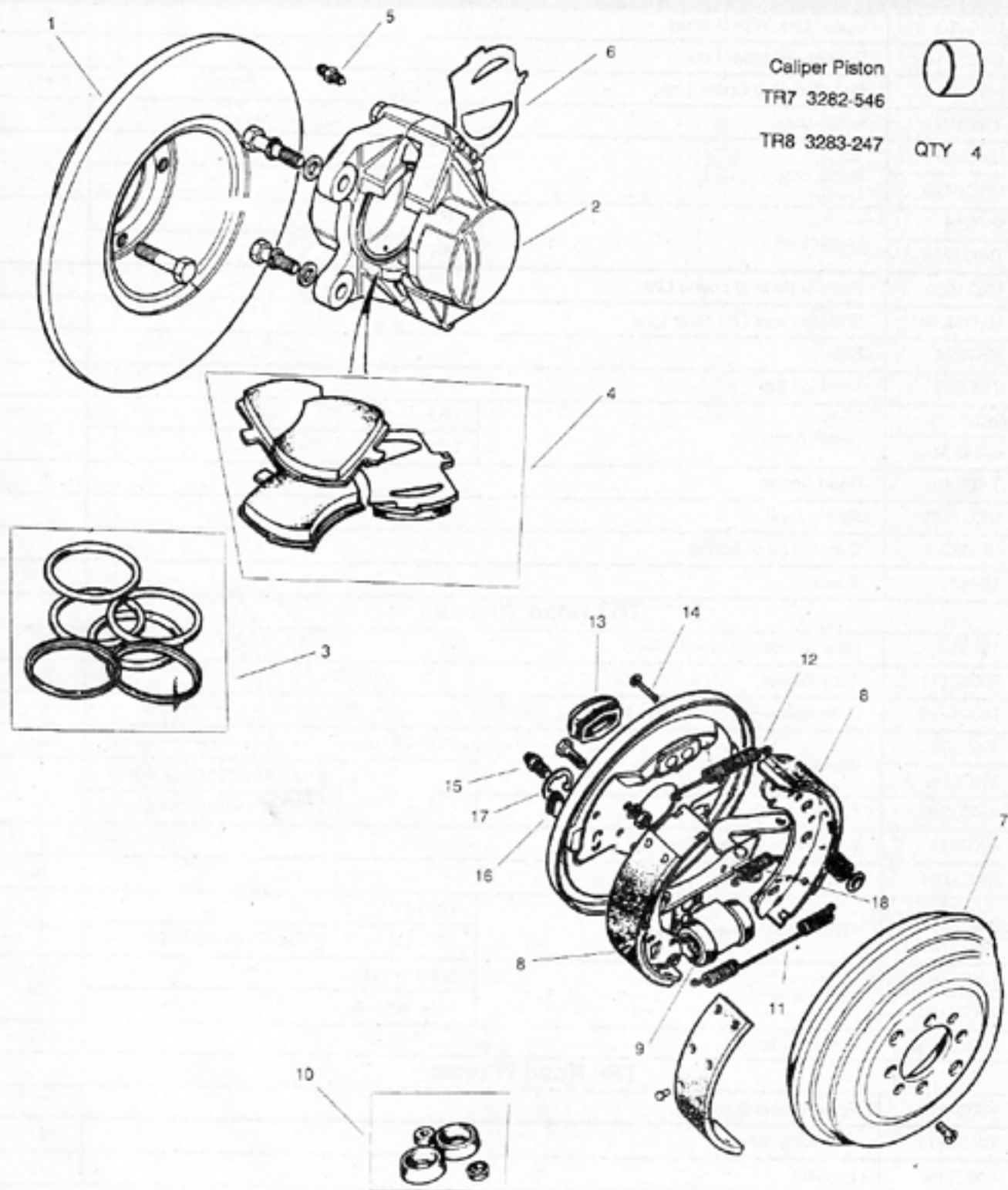
## TR7 & TR8 REAR SUSPENSION

Ill. No.	Part No.	Description	Qty. Req'd.
1	UKC703	Upper Link With Bushes	2
2	UKC5514	Bushes-In Upper Link	4
3	HB1022	Bolt-Securing Upper Link	4
4	YN2910	Nyloc Nut	4
5	UKC2377	Bump Stop	TR7
	UKC6729		TR8
6	RKC15	Lower Link	TR7
	RKC4238		TR8
7	ULC1580	Bush In Rear of Lower Link	2
8	ULC1579	Bush In Front Of Lower Link	2
9	HB1024	Bolt	4
10	TKC253	Anti-Roll Bar	1
11	GSA71111	Shock Absorber	TR7
	GSA374		TR8
12	TKC2404	Road Spring	2
13	UKC1108	Spring Seat	2
14	UKC82	Cup At Top of Spring	2
14A	15447	Spacer	A/R
<b>TR7 Road Wheels</b>			
15	151550	Road Wheel (Pressed Steel)	5
16	RKC2111	Alloy Wheel	5
--	RKC5210	Convertible-Special Edition Wheels	5
17	YKC555	Wheel Cover	1975-77
	YKC554		1977 On
18	XKC3296	Full Wheel Cover	VIN ACW7001-VIN 402001 From VIN 402001 On
19	UKC6877	Alloy Wheel Center Cap	4
20	ZKC2234	Anti-Rattle Spring	16
21	ZKC475	"TRIUMPH" Wheel Badge	1975-77
	ZKC3120		1977 On
22	UKC2198	Lug Nut	Steel Wheels
	UKC7197		Alloy Wheels
23	UKC2199	Washer-Lug Nut	16
<b>TR8 Road Wheels</b>			
24	RKC2111	Road Wheel (Alloy)	5
25	UKC6877	Cap-Alloy Wheel	5
26	UKC7197	Lug Nut	16

If No Year Or Model Is Mentioned, Part Number Fits Both TR7 & TR8.

# BRAKES

## TR7 & TR8 FRONT & REAR BRAKES



# BRAKES

## TR7 & TR8 FRONT & REAR BRAKES

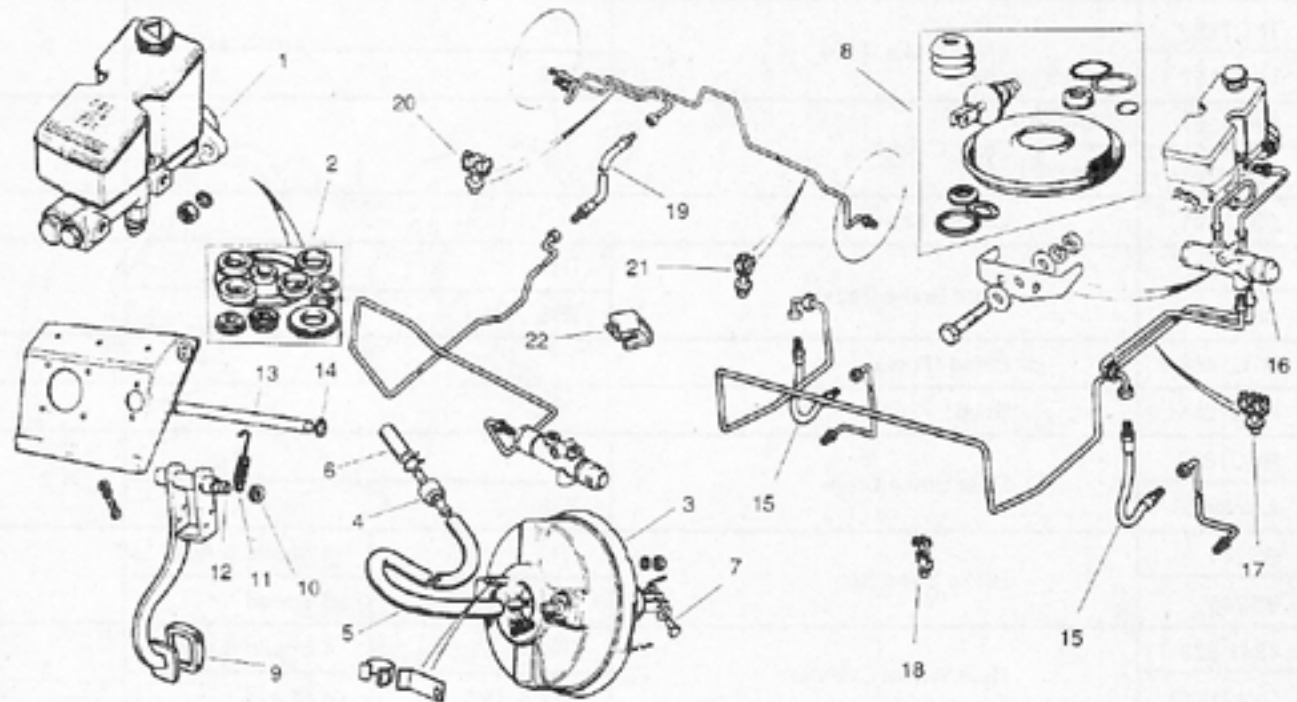
Ill. No.	Part No.	Description	Qty. Req'd.
1	TKC780	Front Brake Rotor	TR7
	TKC3157		TR8
2	4264-267	RH	Front Caliper
	4264-268	LH	
3	SSB2601	Caliper Seal Kit	2
4	CS416S*	Front Brake Pads	TR7
	CS431S*		TR8
5	RTC1466A	Bleed Nipple	2
6	RTC1654	Shim	4
7	RKC1817	Rear Brake Drum	TR7
	AAW4655		TR8
8	BS244	Brake Shoe Set	TR7
	BS245		TR7 & TR8
9	4241-623	Rear Wheel Cylinder	4 Speed & Auto.
	GWC1212		5 Speed
10	SSB547	Wheel Cylinder Repair Kit	TR7
	SSB541		TR7 & TR8
11	RTC1461	Lower Tension Spring	4 Speed & Auto.
	AAU2210		5 Speed
12	RTC1460	Upper Tension Spring	TR7
	AAU6241		TR8
13	513117	Dust Boot	4 Speed & Auto.
	17H8057		5 Speed
14	RTC1459	Shoe Retaining Pin	TR7
	518724		TR8
15	RTC1526A	Bleed Nipple	1
16	RTC1462	Dust Cap	TR7 Only
17	513114	Wheel Cylinder Retaining Ring	TR7
	17H7949		TR8
18	RTC1455	Brake Adjuster Tension Spring	TR7
	RTC1456		TR8

\*The suffix "S" means standard and the suffix "M" means metallic. Auto.=Automatic Transmission  
Note: It is Highly Recommended To Use Castrol Hydraulic Fluid In TR7 & TR8 Brake & Clutch Hydraulic Systems.

If No Year Or Model Is Mentioned, Part Number Fits Both TR7 & TR8

# BRAKES

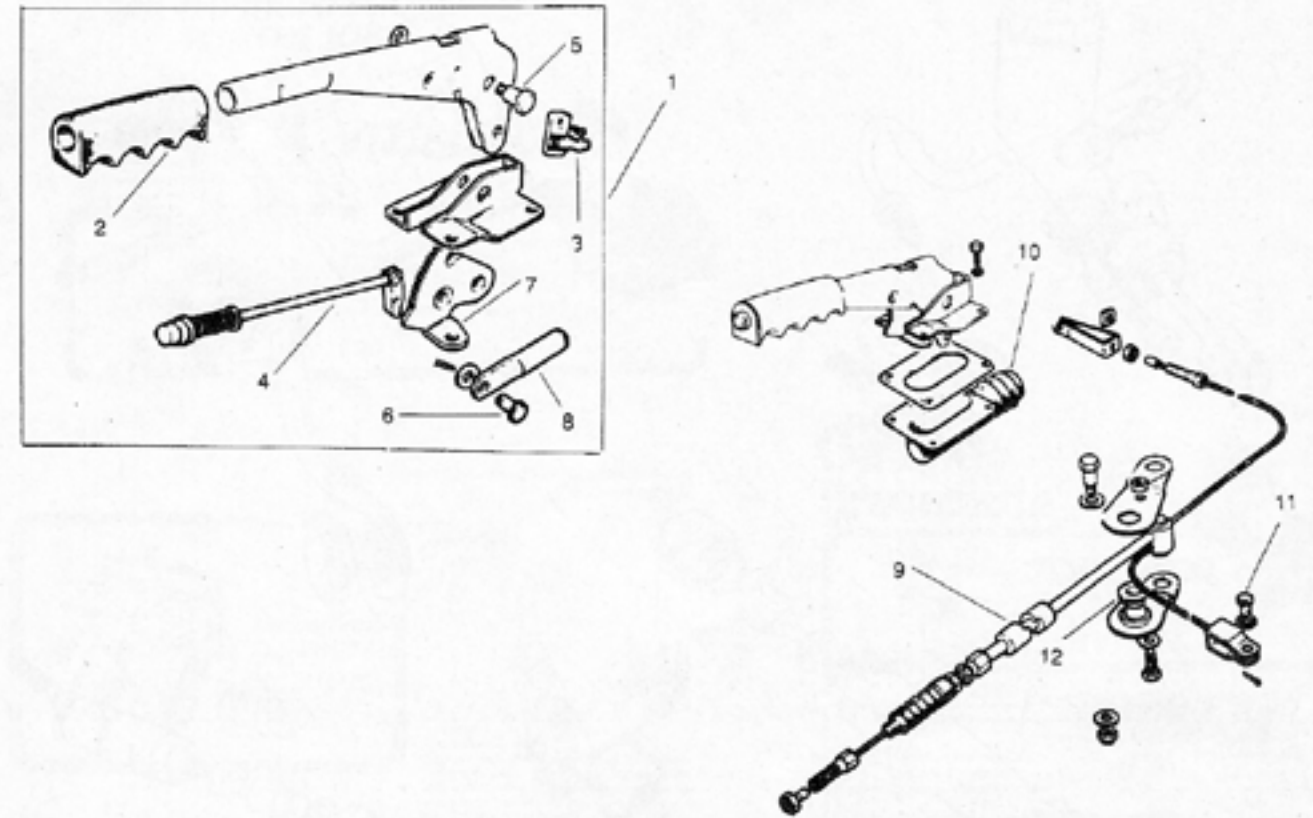
## TR7 & TR8 BRAKE & CLUTCH



Ill. No.	Part No.	Description	Qty. Req'd.
1	4224-946PT3	Brake Master Cylinder	1
2	SSB1217	Repair Kit	2
3	SSB80018	Brake Servo	1
4	148479	Check Valve	TR7
	AAU3821A		TR8
5	UKC2948	Vacuum Hose-Servo To Check Valve	TR7
	37H8863		TR8
6	UKC2949	Vacuum Hose	TR7 Only
7	PJ8810	Pin	1
8	RTC1374	Brake Servo Repair Kit	1
9	150881	Brake Pedal Pad	4 & 5 Speed Transmission
	152091		Automatic Transmission
10	44630	Special Spring On Pedal Shaft	2
11	UKC113	Brake Pedal Return Spring	1
12	UKC101	Bush-Brake Pedal To Shaft	2
13	UKC104	Pivot Shaft-Brake & Clutch Pedal	1
14	506542	Circlip-Retaining Shaft In Housing	2
15	BH108	Front Brake Hose	1
16	4317-055	Pressure Proportioning Valve-(Brake Pressure Equalizer)	1
17	625521	Brake Pipe Mounting Clip	TR7
	AAU7807		TR8
18	GHF1192	Brake Pipe Mounting Clip	TR7
	AFU1297		TR8
19	BH260	Rear Brake Hose	1
20	625521	Brake Pipe Mounting Clip	A/R
21	GHF1192	Brake Pipe Mounting Clip	1
22	ZKC925	Brake Pipe Clip	TR7
	ZKC924		TR8

# BRAKES

## TR7 & TR8 HANDBRAKE & COMPONENTS

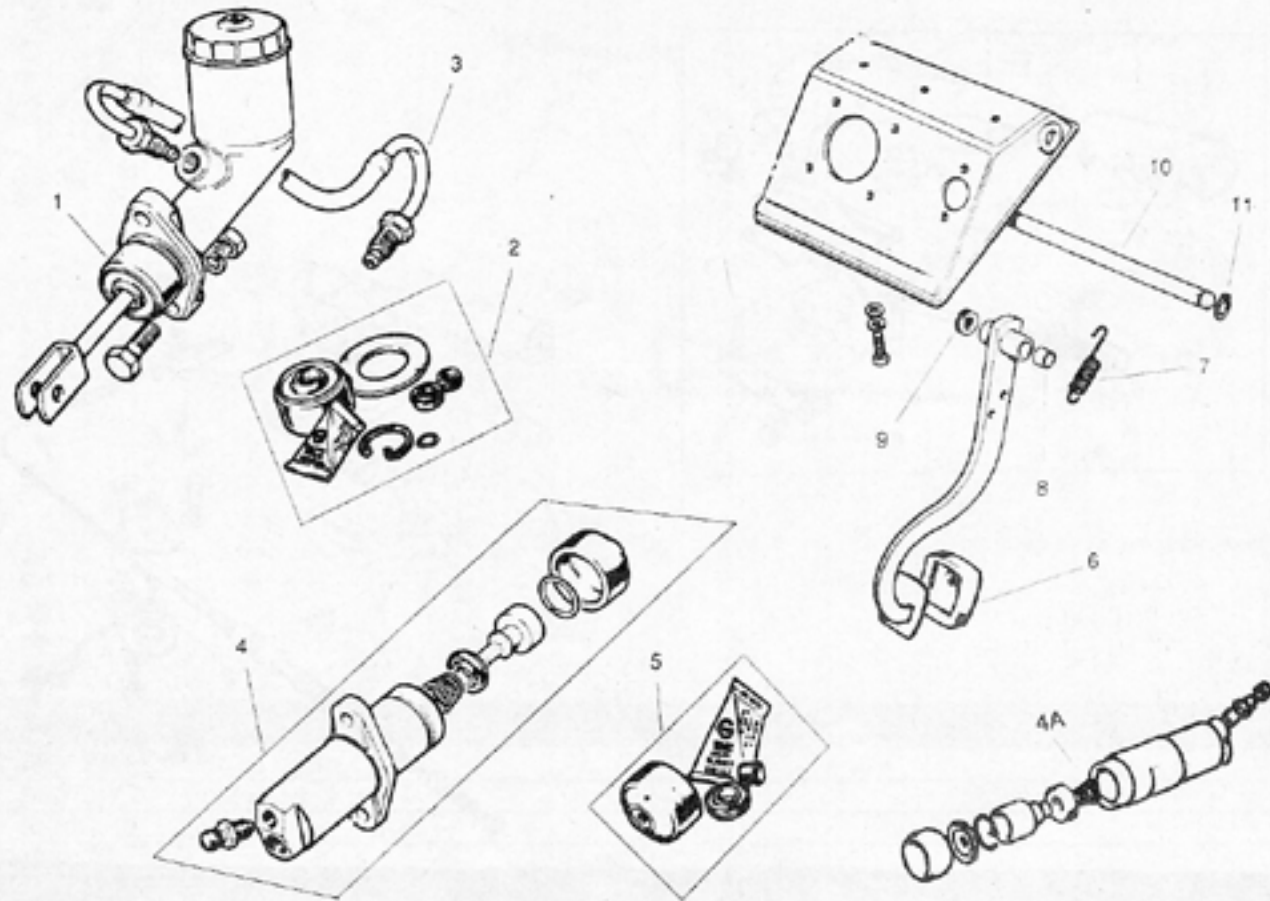


Ill. No.	Part No.	Description	Qty. Req'd.
1	UKC3740	Handbrake Mechanism	1
2	UKC3918	Handbrake Grip	1
3	35624	Handbrake Switch	1
4	UKC2544	Button & Pawl Assy.	1
5	UKC2059	Pivot Pin-Handbrake Lever	1
6	PJ8806	Pivot Pin-Cable Attachment	1
7	UKC2055	Ratchet	1
8	UKC89	Attachment-Cable to Handbrake Mechanism	1
9	GVC1026	Handbrake Cable	4 Speed Transmission
	MBC6211		5 Speed Transmission
10	UKC5278	Dust Boot	1
11	PJ8805	Pin-Attaching Cable to Rear Brakes	2
12	ACH5103	Bush-At Fulcrum Between Rear Brakes	1

*If No Year Or Model Is Mentioned, Part Number Fits Both TR7 & TR8.*

# BRAKES

## TR7 & TR8 CLUTCH HYDRAULICS



Ill. No.	Part No.	Description	Qty. Req'd.	
1	64066614	Clutch Master Cylinder	1	
2	SP1963	Repair Kit for Clutch Master Cylinder	1	
3	74046017	Clutch Hose	1	
4	74967528	Clutch Slave Cylinder (To 1978)	4A 311140 (1978 On)	1
5	M4190	Repair Kit for Clutch Slave Cylinder	1	
6	150881	Clutch Pedal Pad	1	
7	UKC113	Pedal Return Spring	1	
8	UKC101	Bush-Pedal Pivot on Shaft	2	
9	44630	Special Spring On Pedal Shaft	2	
10	UKC104	Pedal Pivot Shaft	1	
11	506542	Circlip-Retaining Shaft In Housing	2	

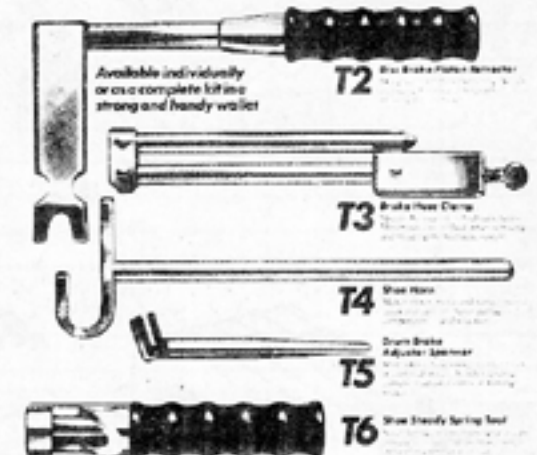
If No Year Or Model Is Mentioned, Part Number Fits Both TR7 & TR8.

# BRAKES

## TR7 & TR8 TOOLS

Lucas Girling

USE THE RIGHT TOOLS  
FOR THE JOB



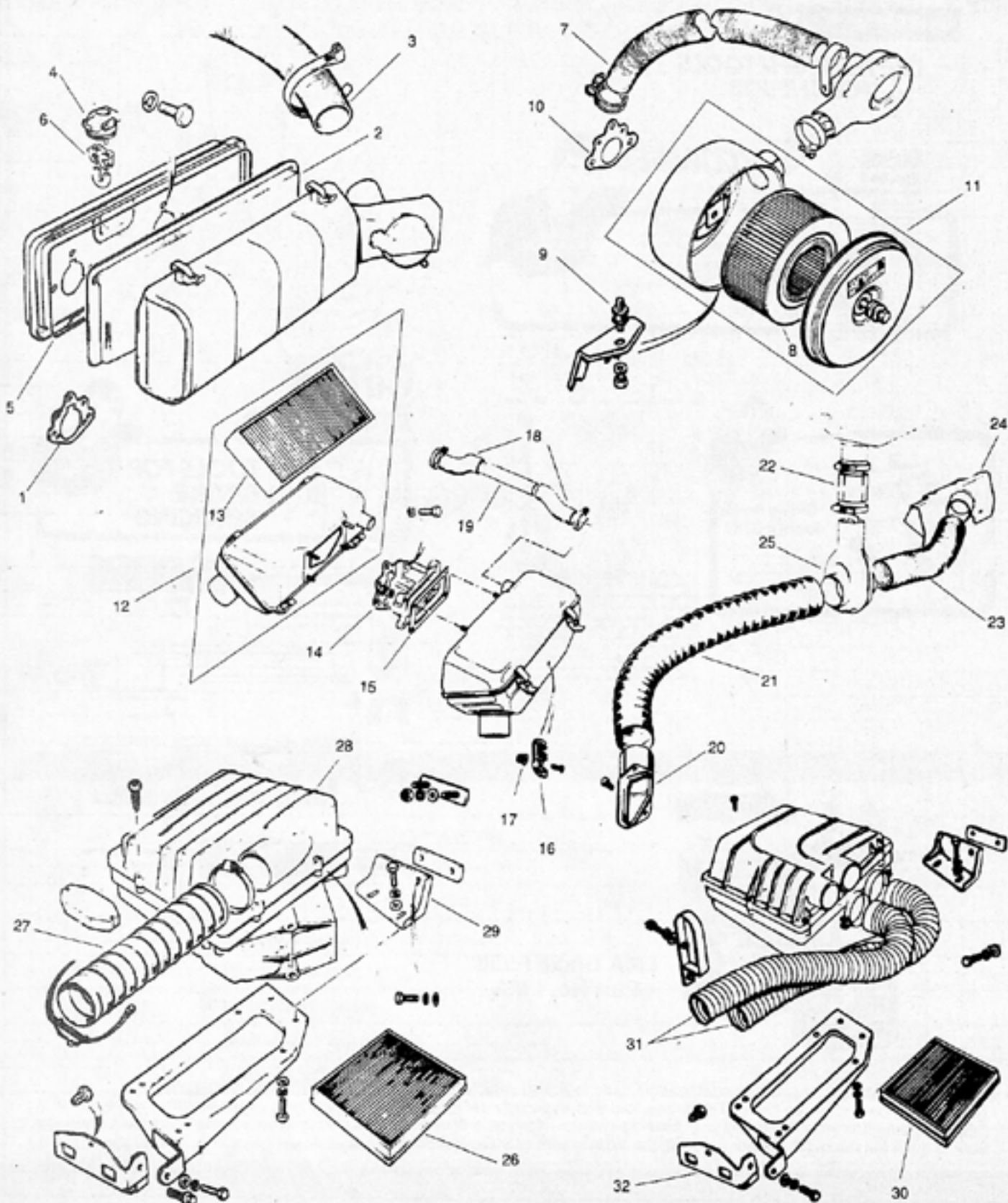
LMA Brake Fluid  
Part No. LMA

Please note: Many of the rubber components used in British vehicles are made of non-synthetic rubber. We recommend Castrol Brake Fluid. This brake fluid was especially designed for these vehicles. We recommend the use of Castrol Brake Fluid when restoring your braking system. If the type of brake fluid currently in your car is not known it is advisable to flush out the old fluid and replenish the system with only Castrol Brake Fluid.

If No Year Or Model Is Mentioned, Part Number Fits Both TR7 & TR8.

# FUEL SYSTEM

## TR7 & TR8 AIR CLEANER & COMPONENTS



# FUEL SYSTEM

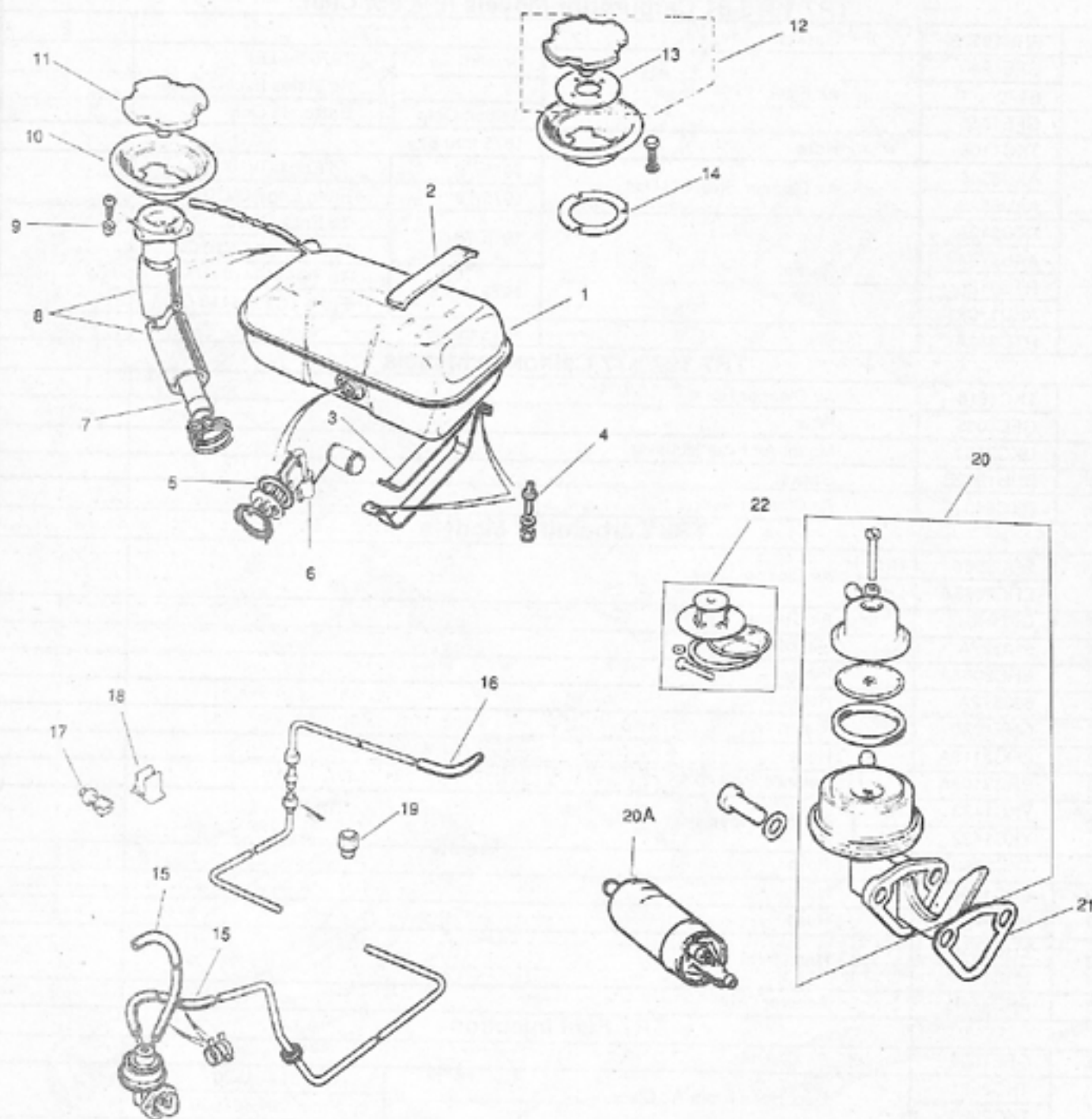
## TR7 & TR8 AIR CLEANER & COMPONENTS

Ill. No.	Part No.	Description	Qty.	Req'd.
<b>TR7 1975-81 Carburettor Models (Except Calif.)</b>				
1	BHH1992B	Gasket		2
2	GFE1040	Air Filter	Unipart	1975 thru 81
	B170		TJ	All States Except Calif.
	GFE1065		Unipart Only	California Only
3	TKC1106	Hose	1975 thru 81	1
4	AAU8346	Air Cleaner Solenoid Unit	1975-79	To Eng# CV10
	AAU8528		1975-79	From Eng# CV10 On
5	RTC312A	Gasket	1975-79	To Eng# CV10
	AAU8794		1975-79	From Eng# CV10 On
	RTC312A		1979 thru 81	To TCT115410
	AEU1704		1979 thru 81	From TCT115410 On
6	RTC311A	Clip	1975 thru 81	4
<b>TR7 1975-77 California Models</b>				
7	TKC1816	Air Cleaner Hose		1
8	GFE1065	Filter		1
9	UKC2451	Mount-Air Filter Housing		1
10	BHH1992B	Gasket		1
11	RKC840	Air Cleaner Assy.		1
<b>TR8 Carburettor Models</b>				
12	ERC2066	RH	Air Cleaner Assy.	1
	ERC2065A	LH		
13	CA2640	Air Cleaner Element		1
14	610327A	Gasket		2
15	ERC2068A	Gasket		2
16	603672A	Retainer		1
17	GHF1030	Plastic Nut		1
18	ERC2113A	Hose		1
19	ERC3108A	Balance Pipe		1
20	YKC1433	RH	Air Intake Moulding	1
	YKC1432	LH		
21	TKC2980	Hose		2
22	ERC1899	Hose		2
23	ERC3826	Hose		2
24	ERC1954	RH	Heatshield	1
	ERC1950	LH		
25	ERC4170	Adaptor		2
<b>TR7 Fuel Injection</b>				
26	GFE1093	Air Cleaner		1
27	TKC2981	Duct Hose From Air Cleaner	To VIN 401630	1
	TKC2980		From VIN 401630	
28	PKC1230	Air Cleaner Assy.		1
29	TKC5244	Air Cleaner Bracket		1
<b>TR8 Fuel Injection</b>				
30	GFE1093	Air Cleaner Element		1
31	RKC4249	Hose		1
32	TKC3954	Bracket		1



# FUEL SYSTEM

## TR7 & TR8 FUEL TANKS, PIPES & FUEL PUMPS



# FUEL SYSTEM

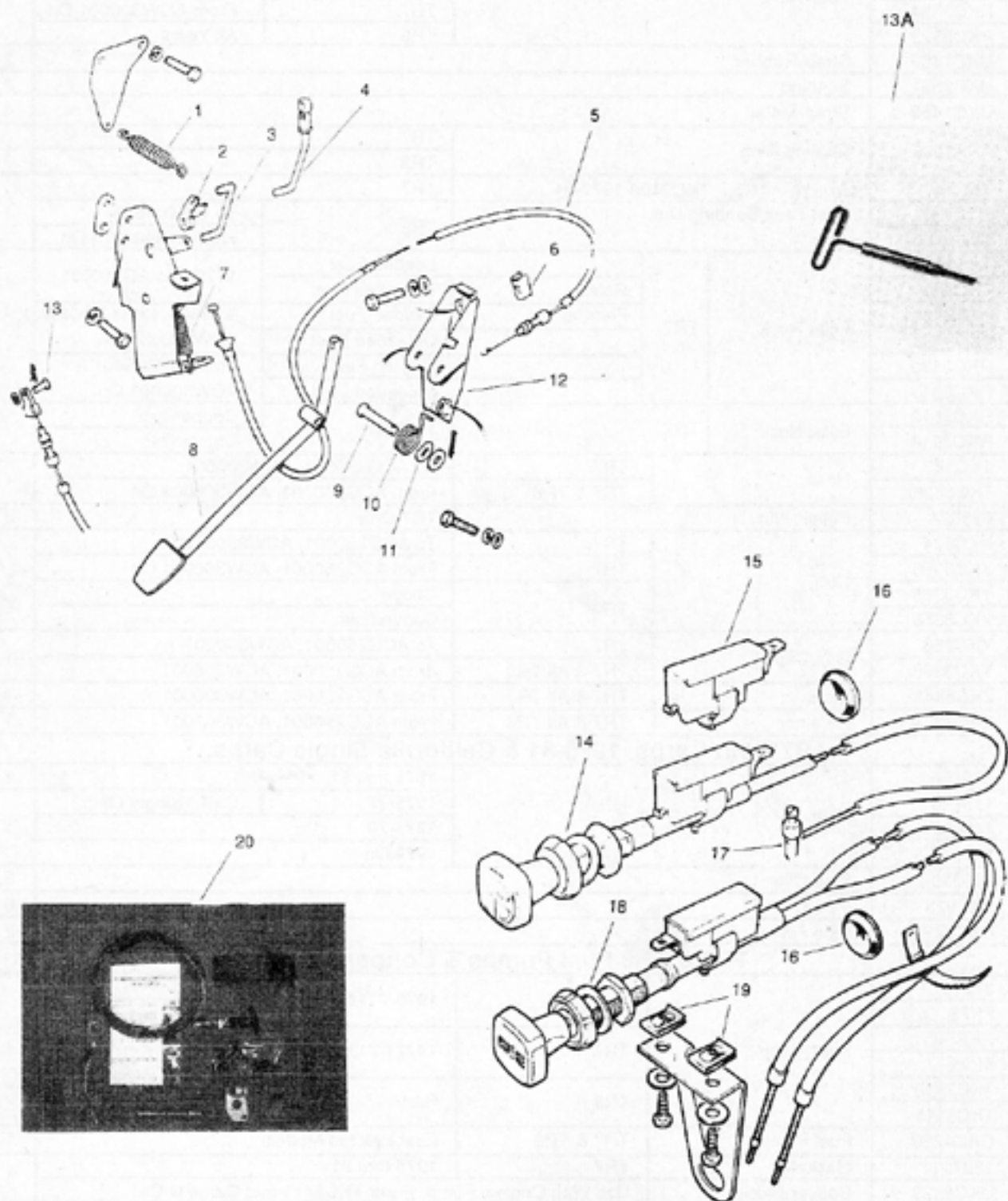
## TR7 & TR8 FUEL TANKS, PIPES & FUEL PUMPS

Ill. No.	Part No.	Description	Qty. Req'd.			
1	RKC68	Fuel Tank	TR7 To 1977			
	RKC3294		TR7 1977 VIN ACW1-ACW300001			
	RKC3554		TR7 From ACW300001 On			
	RKC3523		TR8 All Years			
2	UKC1469	Strap-Rubber	2			
3	UKC255	Bushing	2			
4	UKC1468	Strap-Metal	4			
5	ARA1502	Seating Ring	TR7			
			TR8			
6	TKC147	Fuel Tank Sending Unit	TR7			
	MTU132		TR8 To VIN404879			
	TKC6256		TR8 From VIN404879 On			
7	TKC1667	Filler Neck	TR7	Leaded Fuel	1975 To ACL10001	
				TKC1851		Calif. Unleaded Fuel
				TKC3701		Federal Leaded Fuel
				TKC3698		Unleaded Fuel
	RKC3533	Leaded Fuel	From ACL10001-ACG250001, ACW300001 On			
	RKC3513	Unleaded Fuel				
	RKC3513	Filler Neck	TR8	1979 On	Coupe	
RKC3514	Convertible					
8	TKC383	Hose	TR7	To ACG250001, ACW300001		
	TKC3728		TR7 & TR8	From ACG250001, ACW300001 On		
9	625624	Plastic Nut	TR7 Only	3		
10	XKC534	Cup	TR7	To ACG250001, ACW300001		
	YKC3365		TR7	From ACG250001, ACW300001 On		
	YKC3365		TR8	Coupe		
	YKC3355			Convertible		
11	YKC266	Gas Cap	TR7	To ACG250001, ACW300001		
12	YKC3398	Gas Cap	TR7 & All TR8	From ACG250001, ACW300001		
13	ZKC3541	Plate	TR7 & All TR8	From ACG250001, ACW300001		
14	ZKC3334	Retainer	TR7 & All TR8	From ACG250001, ACW300001		
<b>TR7 Twin Carbs. 1975-81 &amp; California Single Carbs.</b>						
15	159425	Hose	1975 thru 81		1	
	115784		1975-77	Calif. (Single Carb.)		
	149607					
	149614					
17	150930	Pipe Clip		6		
18	ZKC923	Pipe Clip		6		
19	UKC3776	Pipe Fitting		2		
<b>TR7 &amp; TR8 Fuel Pumps &amp; Components</b>						
20	312167	Fuel Pump	TR7	1975-77 1/2	Original	
	FP78				Repro.	
	RKC5051		TR8	Carbs.	Original	
	FP79				Repro.	
	TKC3410				To 404879	
TKC5115	From 404880 On					
20A	CAC4269	Fuel Pump	TR7 & TR8	Fuel Injected Models	1	
21	138791	Gasket	TR7	1975 thru 81	1	
	UKC8523	Spacer Block	Use With Original Pump, Part# TKC3419 that Came w/Car			
21	ARA1502	Gasket	TR8		1	
22	ARA1501	Lock Ring	TR8		1	
23	37H7281	Filter Kit	Fitted To TKC3419 Only (Pump that Came w/Car)			1

If No Year Or Model Is Mentioned, Part Number Fits Both TR7 & TR8

# FUEL SYSTEM

## TR7 & TR8 ACCELERATOR PEDAL, CABLE & CHOKE CABLES



# FUEL SYSTEM

## TR7 & TR8 ACCELERATOR PEDAL, CABLE & CHOKE CABLES

Ill. No.	Part No.	Description	Qty. Req'd
1	145197	Spring	1
2	153957	Clip	2
3	UKC595	Throttle Rod	1
	UKC7618		
4	UKC3899	Throttle Rod	1
	UKC5830		
5	UKC3664	Accelerator Cable	1
	RTC2922		
	UKC9515		1
	UKC5876		
	UKC6482 ULC2360		
6	153041	Clip	1
7	UKC1624	Accelerator Spring	1
8	UKC429	Accelerator Pedal	1
9	153675	Clevis Pin	1
10	153661	Spring	1
11	550026	Washer	1
12	UKC433	Bracket	1
13	PJ8504	Clevis Pin	1
13A	0006	Stromberg Carburettor Adjusting Tool	1

### Choke Cables

#### TR7 Carburettor Models Only

14	TKC2773	Choke Cable	1
15	137607	Switch-Choke Warning	1
16	61917	Grommet	1
17	AUE34	Adjustment Screw	1
18	UKC5240	Choke Cable	1
19	FF2544/8	Clip	1

#### Automatic Choke

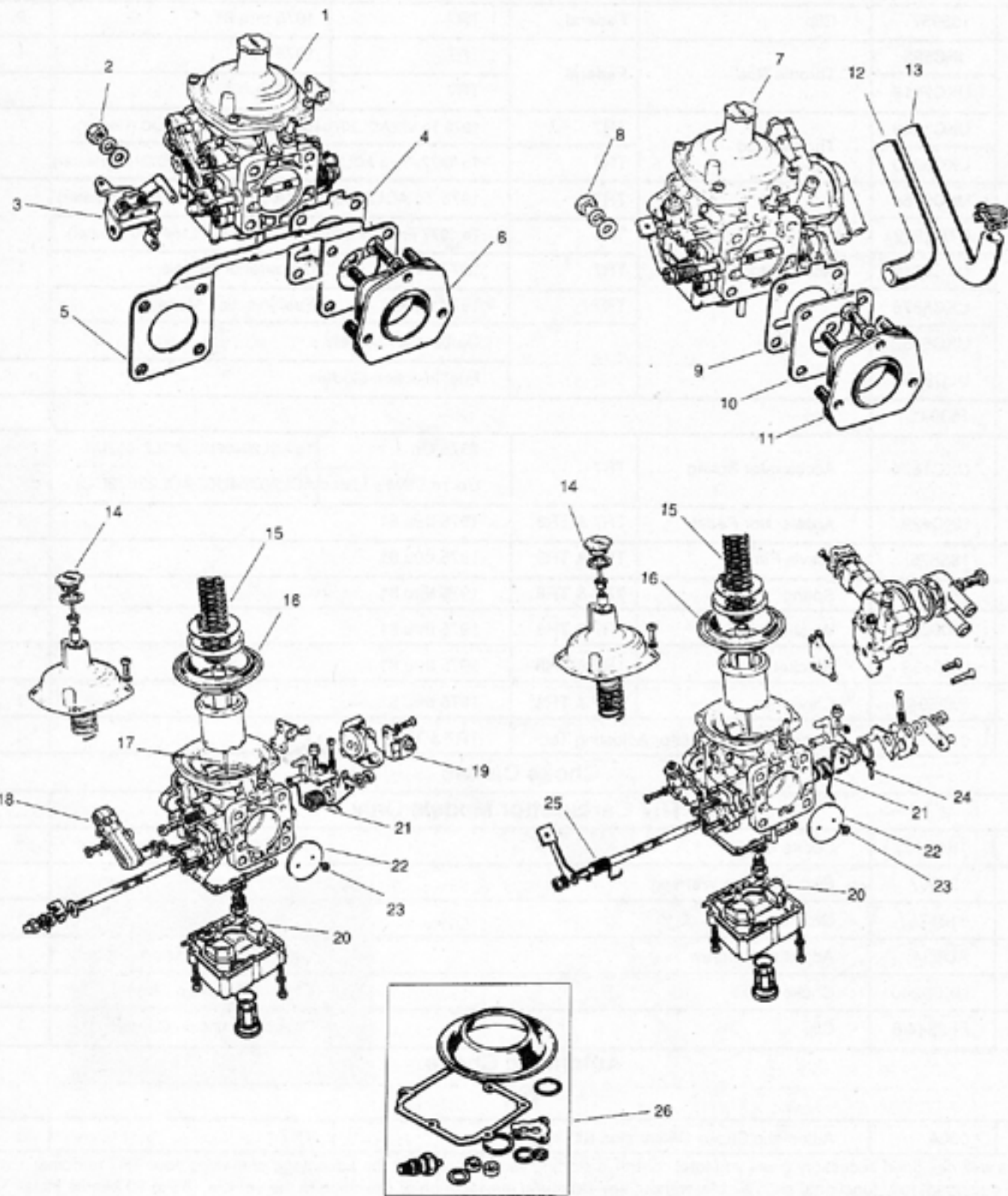
##### TR7

20	0004	Automatic Choke Conversion Kit*	1
----	------	---------------------------------	---

\*This well-designed accessory gives you total control in starting your engine, with the advantage of making your TR7 (automatic choke equipped) fully functional and reliable, without any structural modification or alteration to the vehicle. (45 to 60 Minute Installation) NOTE: Legal in California Only for racing vehicles which may never be used upon a highway.

# FUEL SYSTEM

## TR7 CARBURETTOR & COMPONENTS



# FUEL SYSTEM

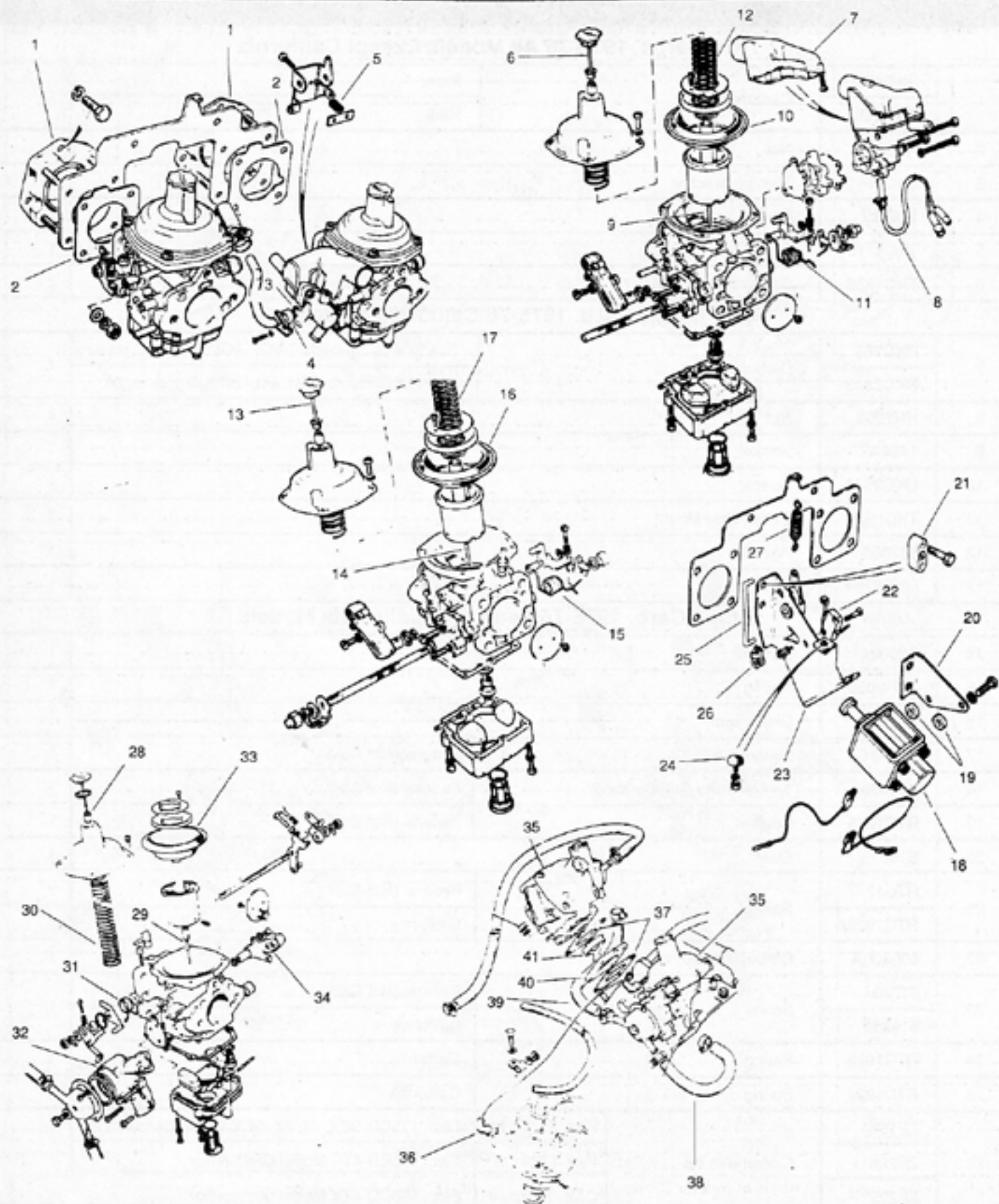
## TR7 CARBURETTOR & COMPONENTS

Ill. No.	Part No.	Description	Qty. Req'd
<b>Twin Carbs. 1975-76 All Models Except California</b>			
1	RKC623	Carburettor	Front
	RKC949		Rear
2	HN2008	Nut	8
3	UKC5610	Throttle Bracket	1
4	148035	Gasket	2
5	TKC1718	Flange	1
6	TKC1338	Carburettor Mount	2
<b>Single Carb. 1975-76 California Models</b>			
7	RKC769	Carburettor	To VIN ACL20704UC (A/C), ACL22079UC (Heater)
	RKC2843		From ACL20704UC (A/C), ACL22079UC (Heater) On
8	HN2008	Nut	4
9	148035	Gasket	1
10	UKC3548	Spacer	1
11	TKC1338	Carburettor Mount	1
12	627053	Hose	1
13	UKC5794	Hose	1
<b>Single Carb. 1975-76 Federal &amp; California Models</b>			
14	B20044	Damper	1
15	131-8030	Spring	1
16	CD201PP	Diaphragm	1
17	B23561	Metering Needle	Federal (Not Calif.) 1
18	B19656	Temperature Compensator	Federal (Not Calif.) 1
19	RTC1275	Bracket	Federal (Not Calif.) 1
20	B18613	Float	1
21	RTC1277	Spring	Federal (Not Calif.) 1
	RTC1925A		California 1
22	605800A	Carburettor Butterfly	1
23	512284	Screw	Federal (Not Calif.) 1
	516952		California 1
24	RTC1926	Spring	California 1
25	RTC1924	Spring	California 1
26	ZE15K*	Carburettor Kit	Fed. 1975-79 Fits: 175CD-SZX, SEVX, SFX Model Carburettors
	ZE22K*		Fed. 1979 On Fits: 175CD-4TV Model Carburettor
	ZE225*		Calif. 75 thru 81 Fits: 175CD-4TV Model Carburettor

\*Models are stamped on carburettor. NOTE: Federal means all states except for California.

# FUEL SYSTEM

## TR7 & TR8 CARBURETTOR & COMPONENTS



# FUEL SYSTEM

## TR7 & TR8 CARBURETTORS & COMPONENTS

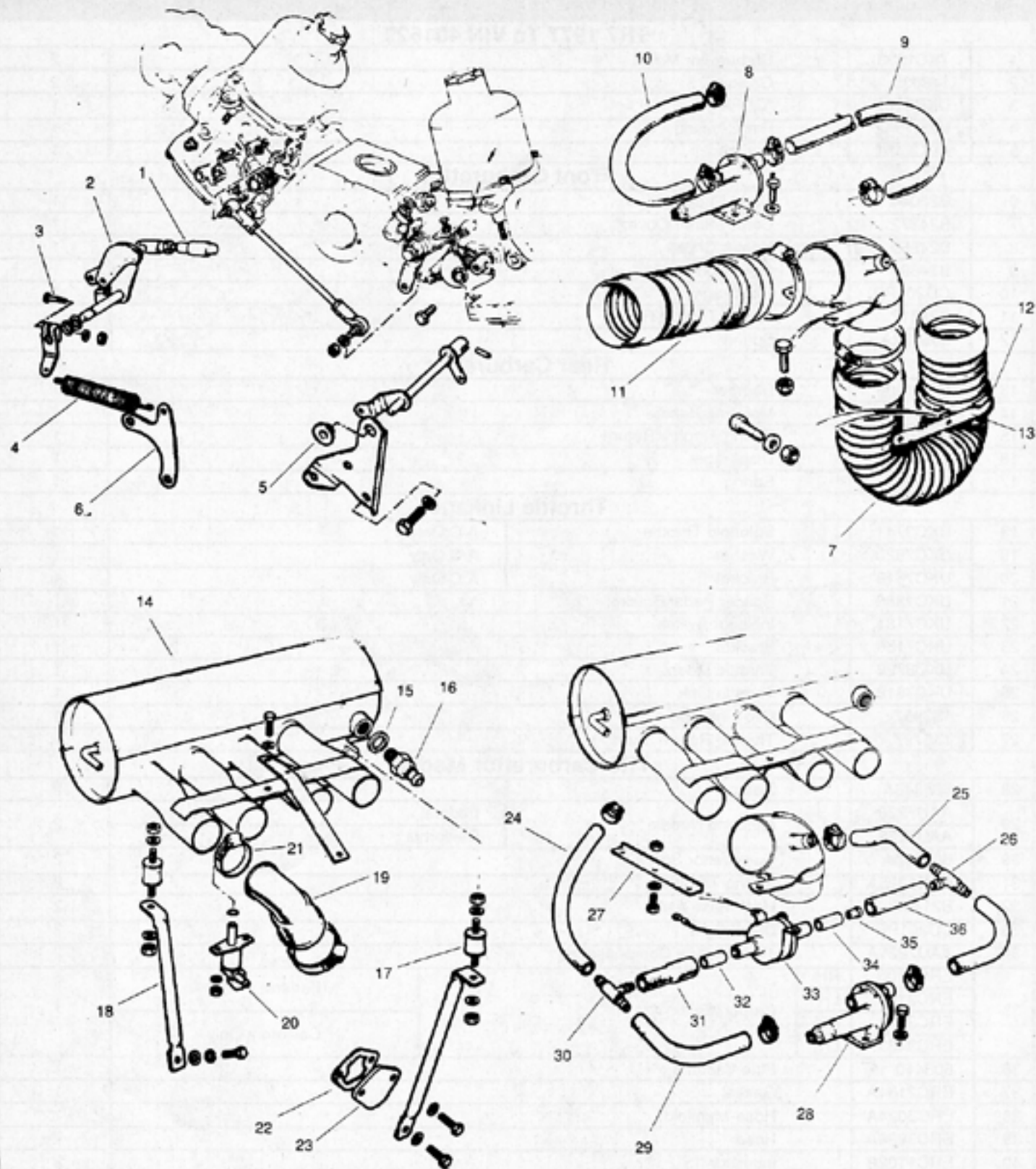
Ill. No.	Part No.	Description	Qty. Req'd.
<b>TR7 1977 To VIN 401629</b>			
1	TKC1338	Carburettor Mount	2
2	148035	Gasket	2
3	UKC8702	"O" Ring	1
4	UKC7942	Ring Sealing	1
5	AUC2451	Spring	1
<b>Front Carburettor</b>			
6	B20044	Carb. Damper	1
7	B24272	Carb. Starter Cover	1
8	B24559	Heater Choke	1
9	B24399	Metering Needle	1
10	CD201PP	Diaphragm	1
11	B23312	Spring Throttle Return	1
12	606792A	Spring	1
<b>Rear Carburettor</b>			
13	RTC1909	Damper	1
14	B24399	Metering Needle	1
15	B23312	Spring Throttle Return	1
16	CD201PP	Diaphragm	1
17	606792A	Spring	1
<b>Throttle Linkage</b>			
18	UKC3741	Solenoid Throttle	A/C Only 1
19	UKC7620	Washer	A/C Only 1
20	UKC7619	Bracket	A/C Only 1
21	UKC1380	Spacer Pedal Bracket	1
22	UKC7181	Inhibitor Switch	1
23	UKC7156	Bracket	1
24	UKC8728	Throttle Mount	1
25	UKC7618	Throttle Link	1
26	153957	Clip-Link Rod	1
27	145197	Throttle Return Spring	1
<b>TR8 Carburettor Models</b>			
28	605848A	Damper	2
29	AAU7220	Metering Needle	Federal
	AAU7268		California
30	606792A	Carburettor Spring	2
31	RTC1925A	Spring Throttle	2
32	B21492	Heat Mass Assy.	2
33	CD201PP	Diaphragm	2
34	AAU7221A	Temperature Compensator	2
35	ERC2105	RH	Federal
	ERC2104	LH	
	ERC3432	RH	California Only
	ERC3433	LH	
36	603410	Pipe Vacuum	1
37	ERC2154A	Gasket	1
38	ERC3024A	Hose Manifold	1
39	ERC3028A	Hose	1
40	ERC1102B	Insulator	2
41	ERC2741A	Liner-Carburettor Mount	2

NOTE: Federal means all states except for California.

NOTE: A/C=Air Conditioning

# FUEL SYSTEM

## TR7 & TR8 CARBURETTOR COMPONENTS & FUEL INJECTION COMPONENTS



# FUEL SYSTEM

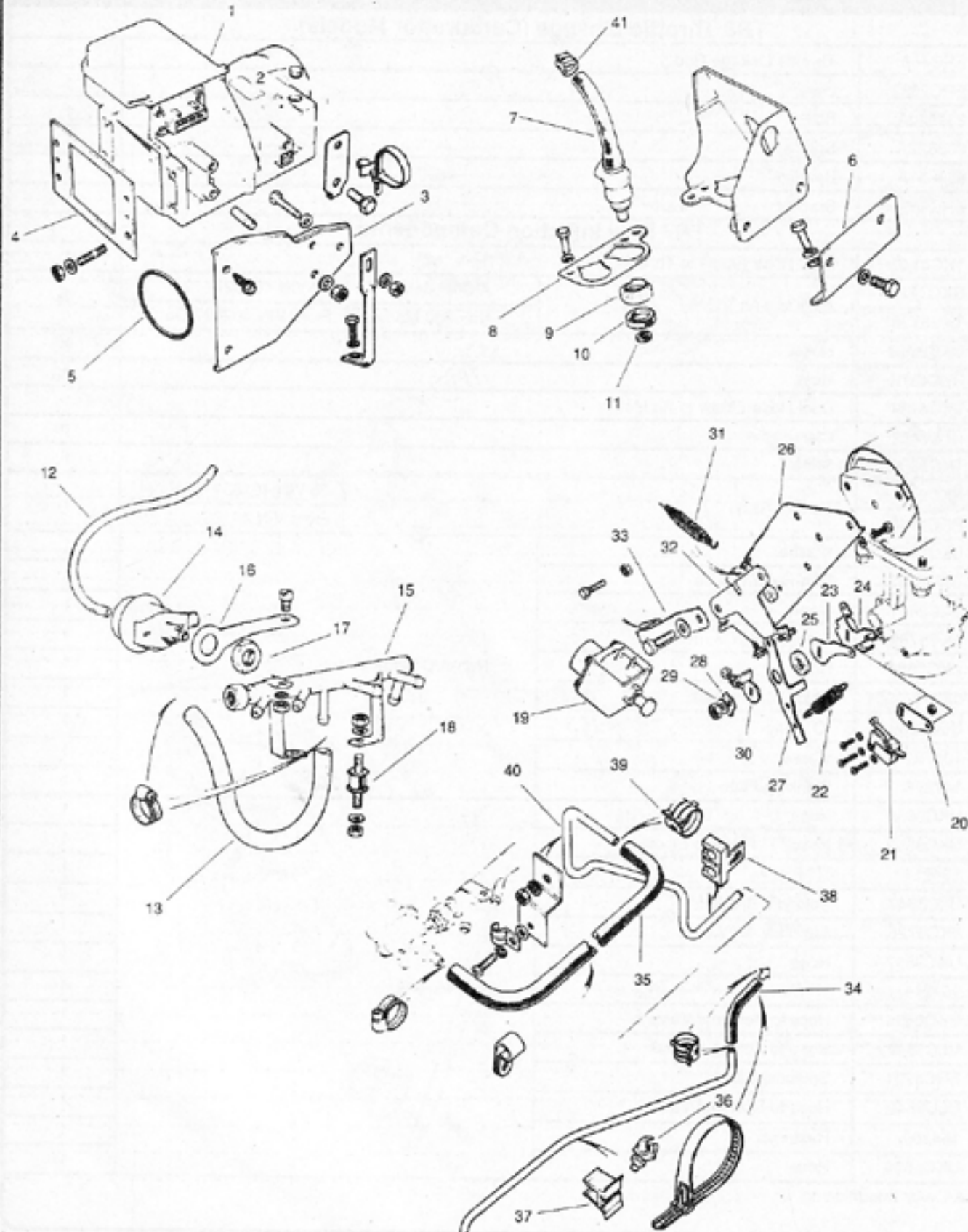
## TR7 & TR8 CARBURETTOR COMPONENTS & FUEL INJECTION COMPONENTS

Ill. No.	Part No.	Description	Qty. Req'd.	
<b>TR8 Throttle Linkage (Carburettor Models)</b>				
1	ERC466	Throttle Linkage Rod	1	
2	ERC2632	Lever	1	
3	257020A	Bolt	1	
4	603622A	Spring	1	
5	553851A	Bearing	1	
6	ERC4096	Bracket	1	
<b>TR7 Fuel Injection Components</b>				
7	TKC4140	Duct Hose-Elbow to Throttle	1	
8	UKC7115	Auxilliary Air Valve	A/C Models To VIN 402027	1
	TKC6726		Non-A/C Models From VIN 402027 On	
9	UKC9652	Hose	1	
10	ULC4373	Hose	1	
11	TKC4139	Duct Hose-Elbow to Air Meter	1	
12	ULC2452	Clamp	1	
13	TKC5806	Strap	1	
14	PKC341	Air Box Assy.	To VIN 401630	1
	PKC1640		From VIN 401630	
15	ULC2451	Washer	1	
16	UKC6033	Non-Return Valve	1	
17	ULC2611	Mount	1	
18	TKC5789	Front Air Box Strut	1	
19	UKC6988	Hose	1	
20	0280170031	Cold Start Injector	1	
21	ULC2859	"O" Ring	1	
22	138791	Gasket	1	
23	147876	Blanking Plate	1	
24	UKC9655	Hose	1	
25	UKC9653	Hose-"T" Piece to Elbow	1	
26	154211	"T" Piece	1	
27	ULC3547	Solenoid Bracket	1	
28	TKC6726	Auxilliary Air Valve	1	
29	UKC9657	Hose	1	
30	154211	"T" Piece	1	
31	UKC9656	Hose to Solenoid Valve	1	
32	ULC3549	Hose to Solenoid Valve	1	
33	ERC4991	Solenoid Valve	1	
34	ULC3549	Hose to Solenoid Valve	1	
35	154209	Restrictor	1	
36	UKC9656	Hose	1	

NOTE: A/C=Air Conditioning

# FUEL SYSTEM

## TR7 FUEL INJECTION COMPONENTS



# FUEL SYSTEM

## TR7 FUEL INJECTION COMPONENTS

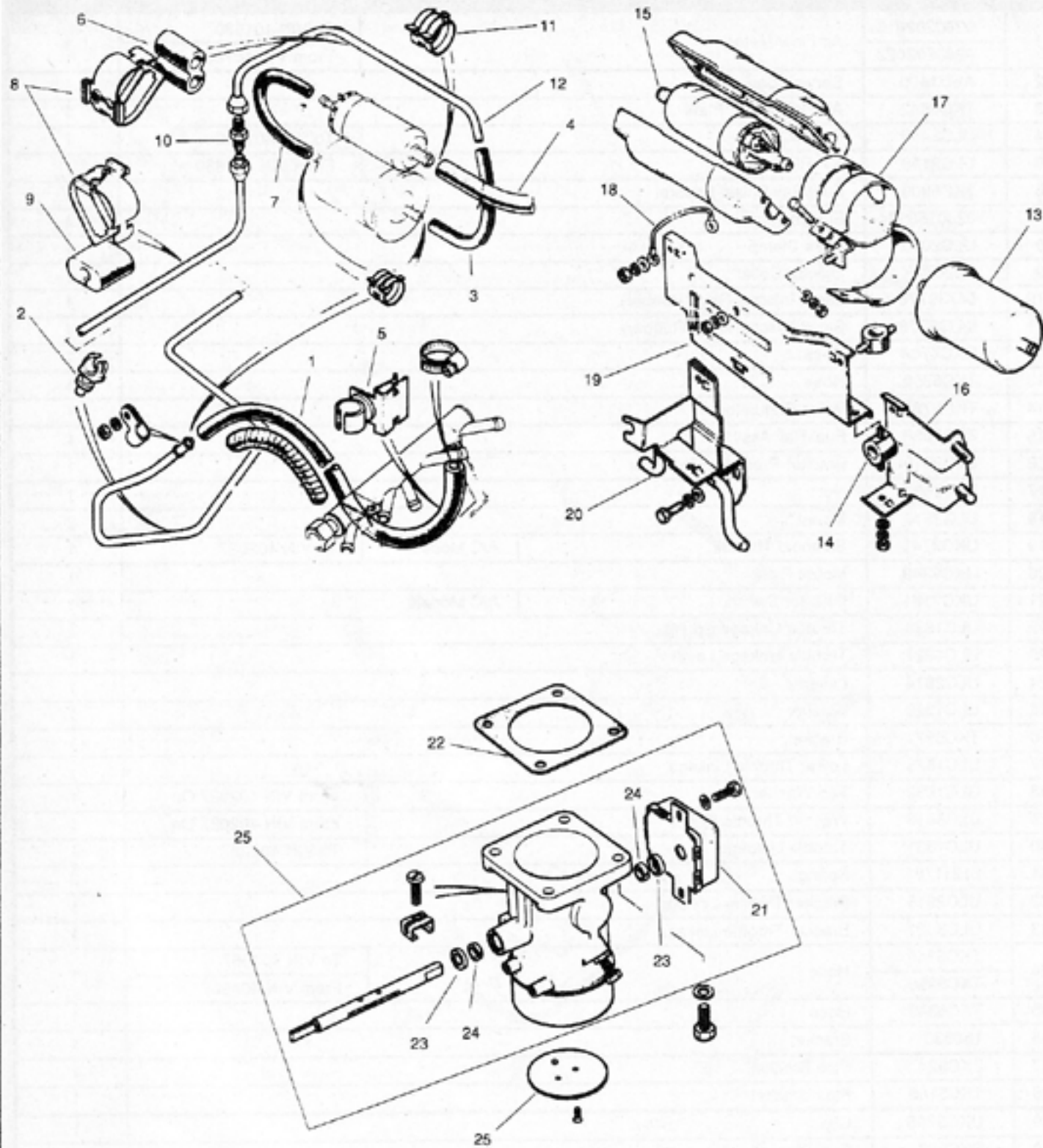
Ill. No.	Part No.	Description	Qty. Req'd.
1	0280202016	Air Flow Meter	To VIN 401630
	0280202022		From VIN 401630
2	AEU1490	Service Cap	1
3	TKC6542	Air Flow Meter Plate	1
4	ULC3443	Gasket	To VIN 401630
5	ULC2119	"O" Ring	From VIN 401630
6	TKC5908	Fuel Rail Shield Bracket	1
7	0280150124	Fuel Injector	4
8	ULC2035	Plate Clamp	1
9	C42077A	Injector Collar	4
10	54739776	Large Injector Ring (Rubber)	4
11	54739778	Small Injector Ring (Rubber)	4
12	UKC4704	Hose	1
13	TKC6350	Hose	1
14	TKC5764	Valve Regulator	1
15	TKC5936	Fuel Rail Assy.	1
16	ULC2519	Bracket-Pressure Regulator	1
17	ULC2629	Nut	1
18	ULC2516	Mount	2
19	UKC3741	Solenoid Throttle	A/C Models To VIN 402027
20	UKC9349	Mount Plate	1
21	UKC7181	Inhibitor Switch	A/C Models
22	ULC1830	Throttle Linkage Spring	1
23	ULC1827	Throttle Linkage Lever	1
24	ULC2914	Lever	1
25	ULC1829	Washer	1
26	TKC5871	Bracket	1
27	ULC1828	Lower Throttle Linkage	1
28	ULC1832	Tab Washer	From VIN 402027 On
29	ULC3613	Washer Throttle Rod	From VIN 402027 On
30	ULC1831	Throttle Linkage	To VIN 402027
31	BHH1781	Spring	3
32	ULC2915	Bracket Throttle Linkage	1
33	ULC3021	Bracket-Throttle Linkage	1
34	TKC6348	Hose	To VIN 404967
	TKC6355		From VIN 404967 On
35	TKC6349	Hose	1
36	150930	Bracket	1
37	ZKC924	Pipe Bracket	1
38	TKC5168	Pipe Bracket	1
39	UKC3795	Clip	1
40	PKC386	Fuel Pipe	1
41	ULC3235	Clip	1

NOTE: Federal means all states except for California.

NOTE: A/C=Air Conditioning

# FUEL SYSTEM

## TR7 FUEL INJECTION COMPONENTS



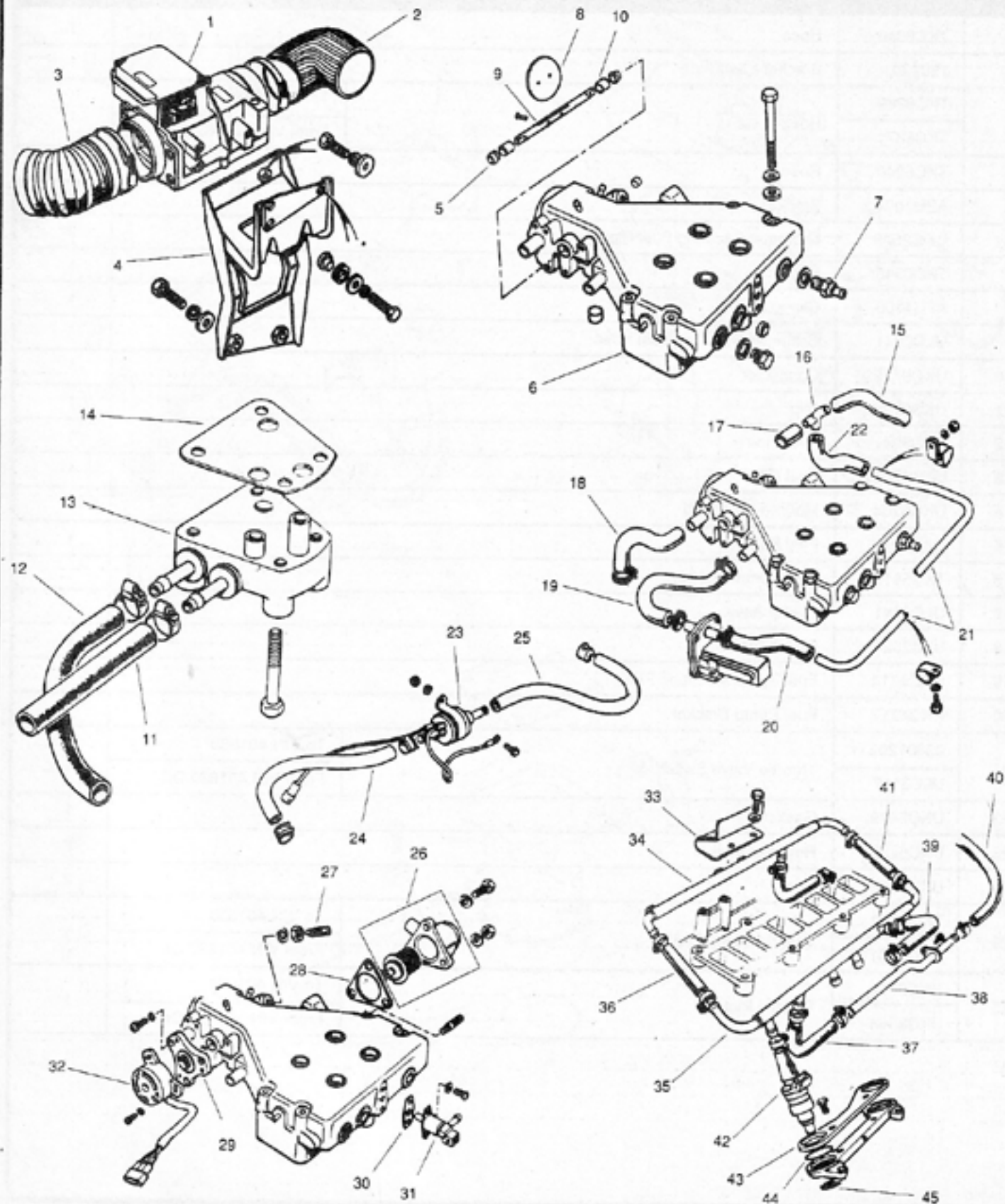
# FUEL SYSTEM

## TR7 FUEL INJECTION COMPONENTS

Ill. No.	Part No.	Description	Qty. Req'd.
1	TKC6349	Hose	1
2	150930	Bracket-Feed Pipe	1
3	TKC6369	Hose	To VIN 404967
	TKC6371		From VIN 404967 On
4	TKC6340	Hose	1
5	AEU1091	Bracket	1
6	CRC2549	Grommet Securing Fuel Pipe	2
7	TKC6348	Hose	1
8	AFU1106	Clip	1
9	ULC2241	Grommet Securing Fuel Hose	5
10	UKC3775	Connector	1
11	UKC3799	Clip	1
12	PKC394	Fuel Pipe	1
13	0450905030	Fuel Filter	1
14	UKC9754	Mount-Fuel Pump	4
15	CAC4269	Fuel Pump	1
16	TKC5819	Fuel Pump Bracket	1
17	ULC2841	Clamp Assy.	1
18	ULC2524	Check Strap	1
19	RKC4714	Fuel Pump Mounting Plate	1
20	RKC4717	Fuel Pump Bracket	1
21	0280120211	Throttle Valve Switch	To VIN 401630
	ULC3117		From VIN 401630 On
22	UKC2489	Gasket	1
23	UKC5299	Retainer Seal	2
24	UKC5298	Seal	2
25	TKC3970	Throttle Valve Assy.	To VIN 401630
	RKC5081		From VIN 401630 On
26	UKC9715	Throttle Plate	To VIN 401630
	UKC3384		From VIN 401630 On

# FUEL SYSTEM

## TR8 FUEL INJECTION COMPONENTS



# FUEL SYSTEM

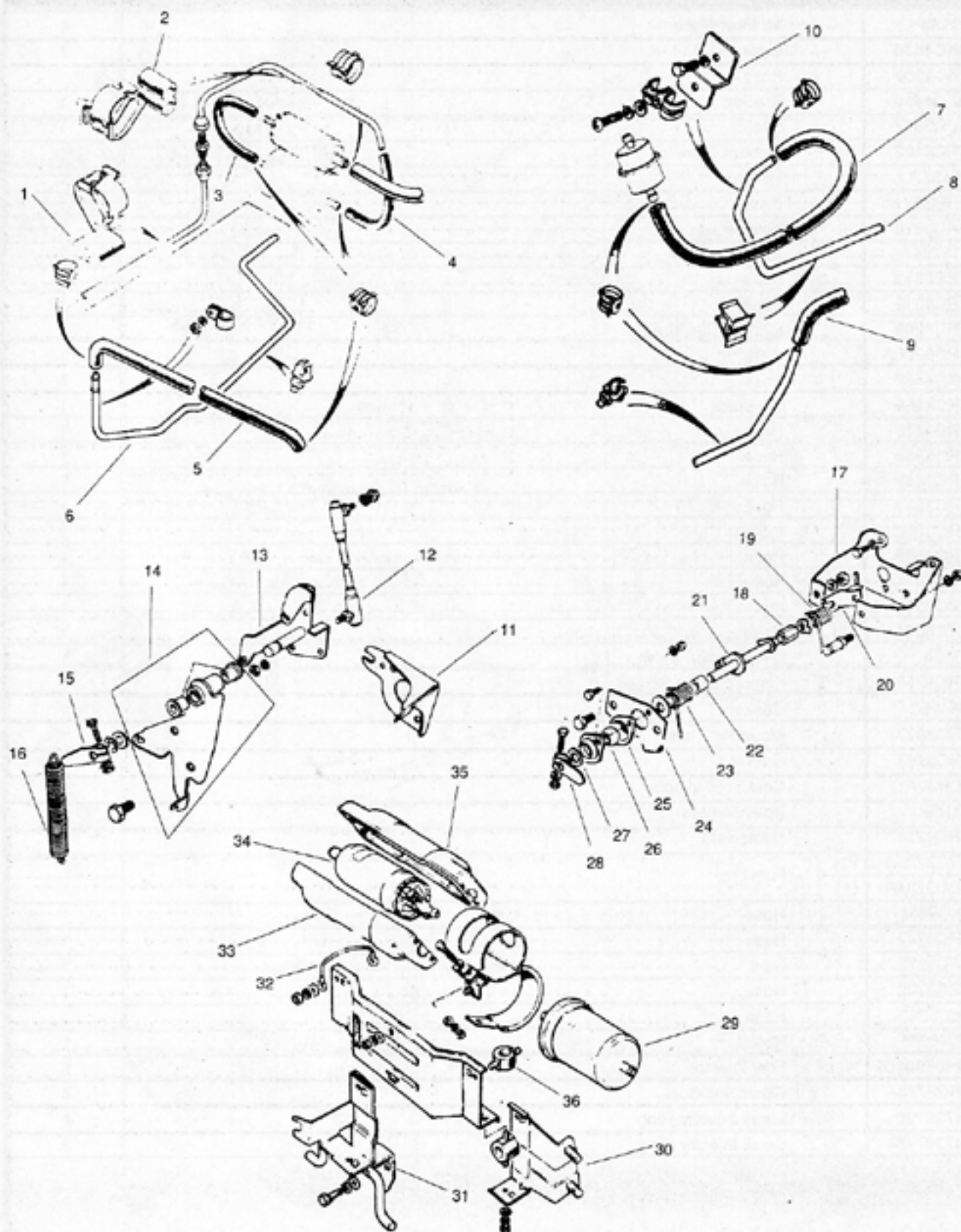
## TR8 FUEL INJECTION COMPONENTS

Ill. No.	Part No.	Description	Qty. Req'd.
1	73173	Air Flow Meter	1
2	RKC4636	Hose	1
3	TKC4000	Hose	1
4	RKC4410	Bracket	1
5	AUD3577	Seal	1
6	ERC6162	Plenum Tube	1
7	144373	Adaptor	1
8	ERC3671	Disc	1
9	ERC3672	Spindle	1
10	611795A	Bushing	2
11	ERC6312	Hose	1
12	ERC6311	Hose	1
13	ERC6206	Plenum Chamber	1
14	ERC6208A	Plate	1
15	ERC4467	Hose	1
16	ERC4469	"T" Union	1
17	ERC4466	Hose	1
18	ERC5988	Hose	1
19	ERC3857	Hose	1
20	ERC3849	Hose	1
21	ERC3858	Pipe	1
22	ERC4468	Hose	1
23	ERC4991	Solenoid	1
24	ERC6075	Hose	1
25	ERC6074	Hose	1
26	73194	Deceleration Valve	1
27	ERC3365	Slow Running Screw	1
28	C44190	Gasket	1
29	ERC3377	Mounting Plate	1
30	ERC3795	Gasket	1
31	FDB304	Cold Start Injector	1
32	73169	Potentiometer	1
33	ERC4214	Heatshield	1
34	ERC3735A	RH Fuel Rail	1
35	ERC3734A	LH Fuel Rail	1
36	TKC6351	Hose	1
37	ERC3742	Hose	1
38	ERC6272	Pipe	1
39	ERC3742	Hose	1
40	TKC6343	Hose	1
41	TKC6351	Hose	1
42	0280150105	Fuel Injector	8
43	ERC3774A	Clamp-Injectors	4
44	54739776	Large Injector Ring	8
45	54739778	Small Injector Ring	8



# FUEL SYSTEM

## TR8 FUEL INJECTION COMPONENTS



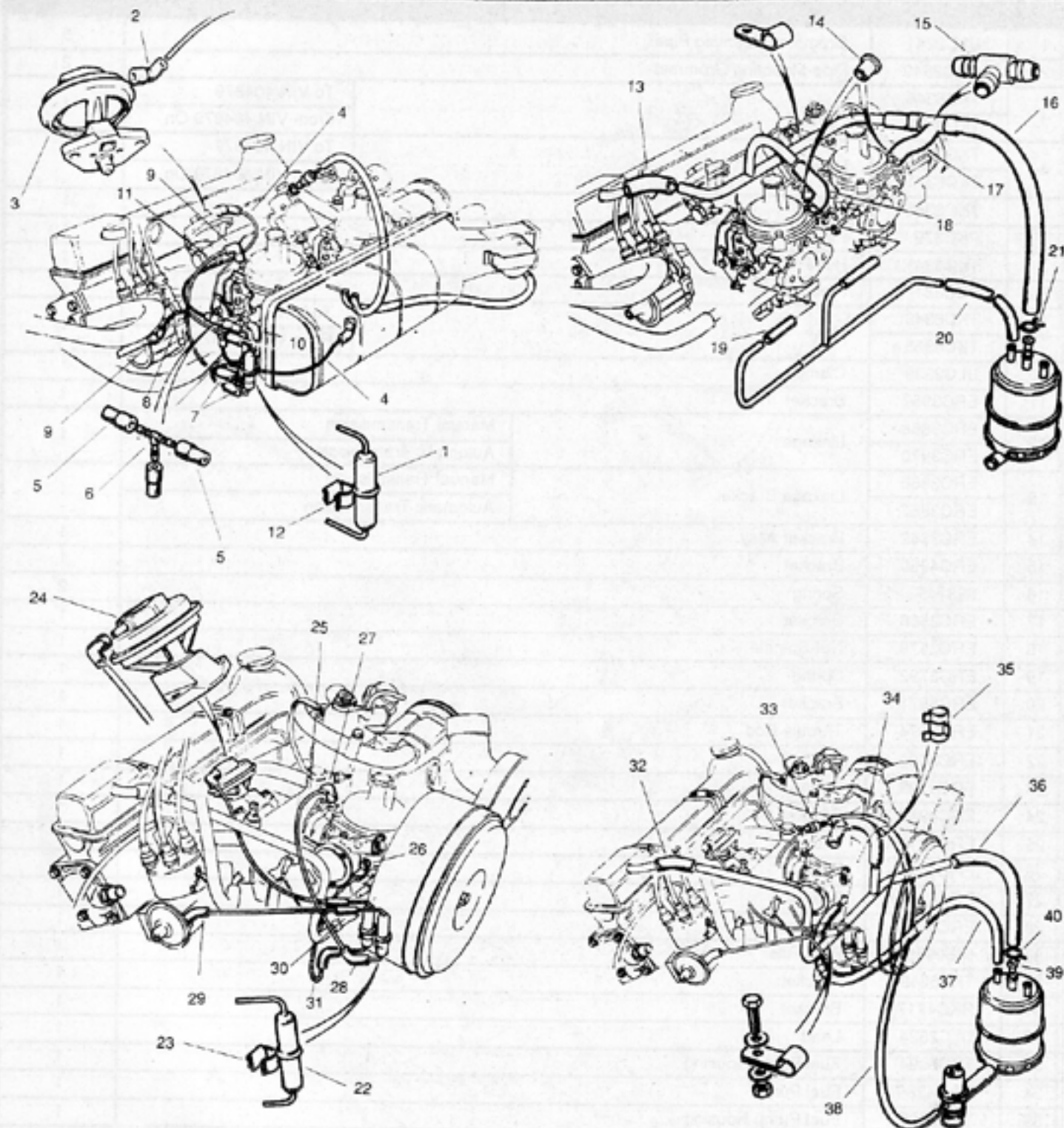
# FUEL SYSTEM

## TR8 FUEL INJECTION COMPONENTS

Ill. No.	Part No.	Description	Qty. Req'd.
1	ULC2241	Grommet-Mounting Pipe	5
2	CRC2549	Pipe-Mounting Grommet	2
3	TKC6348	Hose	To VIN 404879
	TKC6355		From VIN 404879 On
4	TKC6369	Hose	To VIN 404879
	TKC6371		From VIN 404879 On
5	TKC6343	Hose	1
6	PKC379	Pipe	1
7	TKC6341	Hose	1
8	PKC381	Pipe	1
9	TKC6348	Hose	To VIN 404879
	TKC6355		From VIN 404879 On
10	ULC2239	Clamp	1
11	ERC3957	Bracket	1
12	ERC3868	Linkage	Manual Transmission
	ERC3870		Automatic Transmission
13	ERC3866	Linkage Bracket	Manual Transmission
	ERC3867		Automatic Transmission
14	ERC3862	Bracket Assy.	1
15	ERC4950	Bracket	1
16	558145	Spring	2
17	ERC3566	Bracket	1
18	ERC3579	Nut-Spindle	1
19	ERC3792	Spring	1
20	ERC3571	Bracket	1
21	ERC3574	Throttle Rod	1
22	ERC3580	Bush	1
23	ERC3793	Spring	1
24	ERC4212	Bracket	1
25	ERC4211A	Flange	1
26	ERC4215A	Olive	1
27	ERC4211A	Flange	1
28	ERC3570	Bracket	1
29	0450905030	Fuel Filter	1
30	TKC5819	Bracket	1
31	RKC4717	Bracket	1
32	ULC2524	Lead	1
33	TKC6094	Fuel Pump Housing	1
34	CAC4269	Fuel Pump	1
35	TKC6093	Fuel Pump Housing	1
36	UKC9754	Fuel Pump Rubber Mount	4

# FUEL SYSTEM

## TR7 BREATHER DETAILS & CARBON CANNISTERS & COMPONENTS



# EMISSION CONTROL

## TR7 BREATHER DETAILS & CARBON CANNISTERS & COMPONENTS

Ill. No.	Part No.	Description	Qty. Req'd.
<b>TR7 Federal Models (Except California)</b>			
1	156607	Fuel Trap	1
2	152184	Elbow Connector	2
3	TKC307	EGR Valve	1
4	UKC2111	Vacuum Line-Fuel Trap to Front Carbs.	1
5	12B2095	Hose	2
6	UKC2130	Connector	1
7	156608	Straight Connector	3
8	UKC2116	Vacuum Line-Fuel Trap to Rear Carbs.	1
9	128262	Sleeve	2
10	149380	Vacuum Elbow	1
11	UKC2110	Vacuum Hose	2
12	156712	Bracket-Fuel Trap	1
13	154220	Hose	1
14	155148	Adaptor	2
15	154211	"T" Piece	1
16	157770	Hose-"T" Piece to Cannister	1
17	154220	Hose to "T" Piece	1
18	UKC4053	Hose-Elbow	1
19	156952	Hose	2
20	149615	Hose to Cannister	1
21	CC5009	Clamp	1
<b>TR7 California Models</b>			
22	156607	Fuel Trap	2
23	156712	Bracket-Fuel Trap	1
24	TKC1670	EGR Valve	1
25	UKC2110	Vacuum Hose	1
26	152184	Elbow Connector	1
27	128262	Sleeve	2
28	156608	Straight Connector	1
29	12B2095	Hose	1
30	149380	Vacuum Elbow	2
31	UKC2111	Vacuum Line-Fuel Trap to Front Carb.	2
32	154220	Hose	1
33	149487	Adaptor on Manifold	1
34	UKC4456	Hose	1
35	UKC3795	Clamp	1
36	154218	Hose-"T" Piece to Cannister	1
37	149609	Hose-"T" Piece to Cannister	1
38	159883	Hose-Manifold to Cannister	1
39	154209	Restrictor	1
40	CC5009	Clamp	1

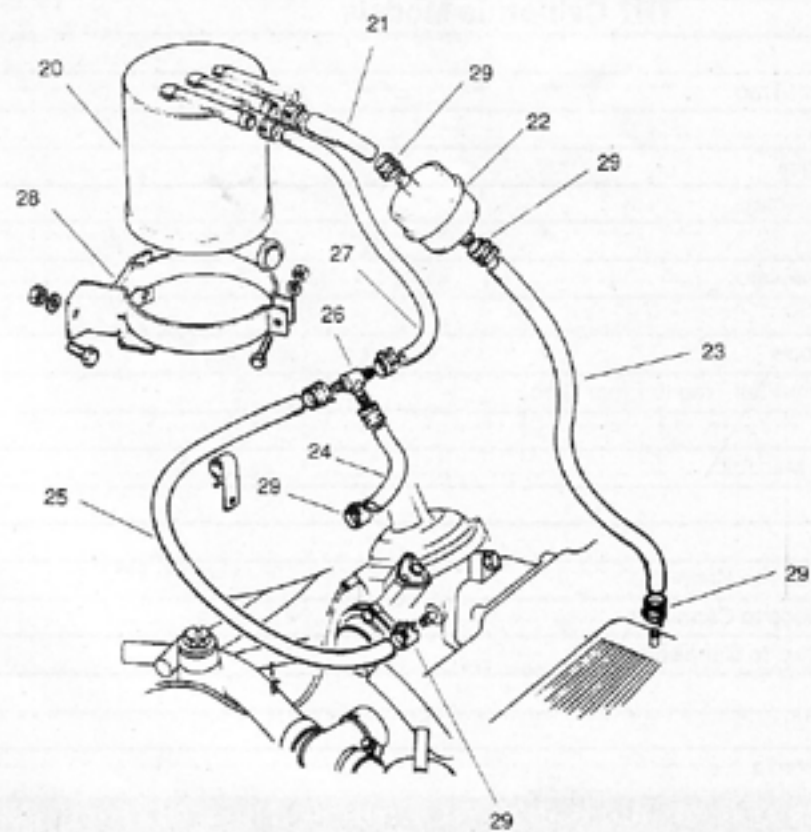
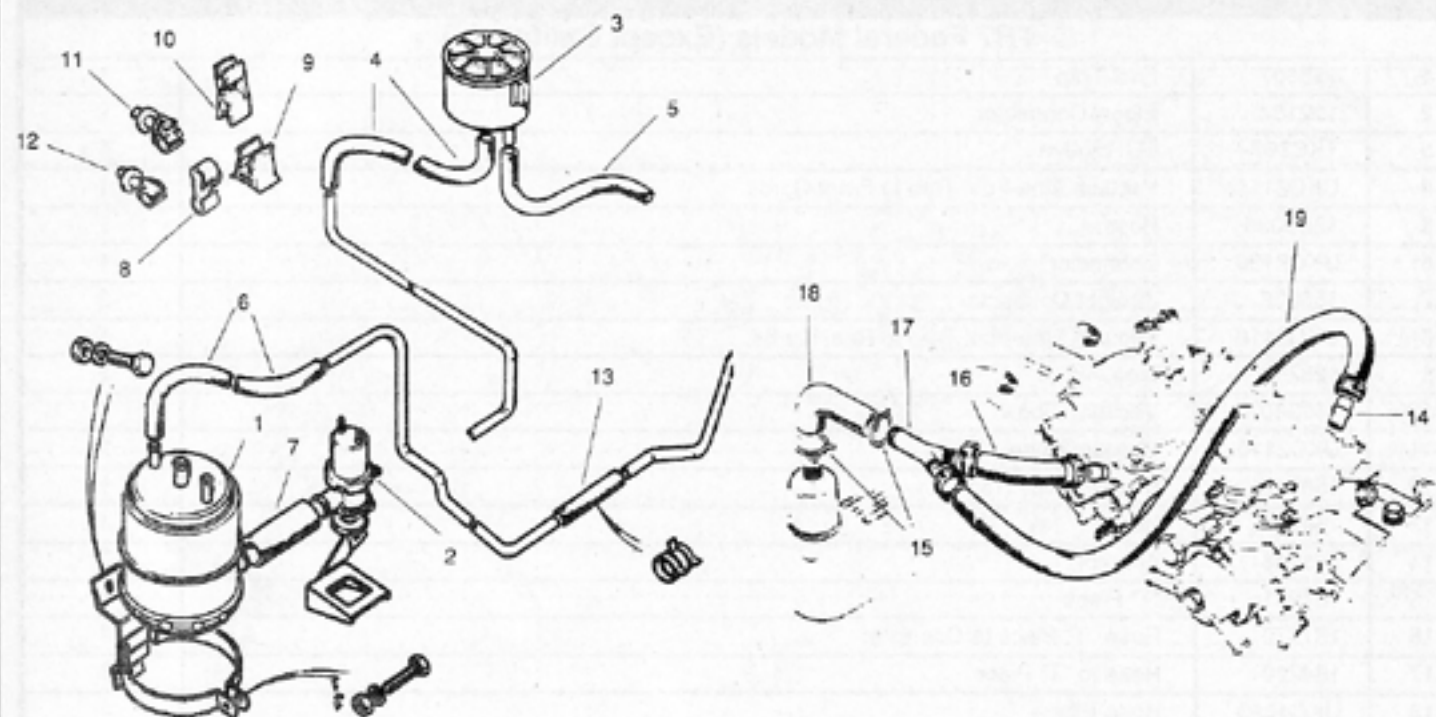
NOTE: Federal-All states except California

*Check All Vacuum Lines. It Is Advisable To Change Them If They Show Wear.*

# EMISSION CONTROL

TR7 & TR8

## EVAPORATIVE LOSS SYSTEM, ENGINE BREATHING & CARBON CANNISTERS



# EMISSION CONTROL

TR7 & TR8

## EVAPORATIVE LOSS SYSTEM, ENGINE BREATHING & CARBON CANNISTERS

Ill. No. Part No. Description Qty. Req'd.

### TR7 All Models

Ill. No.	Part No.	Description	Qty. Req'd.
1	218966	Carbon Canister	Alternatives
	TKC1331		
2	76568	Anti-Run Valve	1
3	UKC2257	Separator	1
4	159472	Hose	1
5	149615	Hose	1
6	159426	Hose	1
7	UKC2699	Hose	1
8	ZKC922	Clip	2
9	ZKC923	Clip	4
10	ZKC924	Clip	2
11	624155	Clip	3
12	150930	Clip	2
13	144938	Hose	1

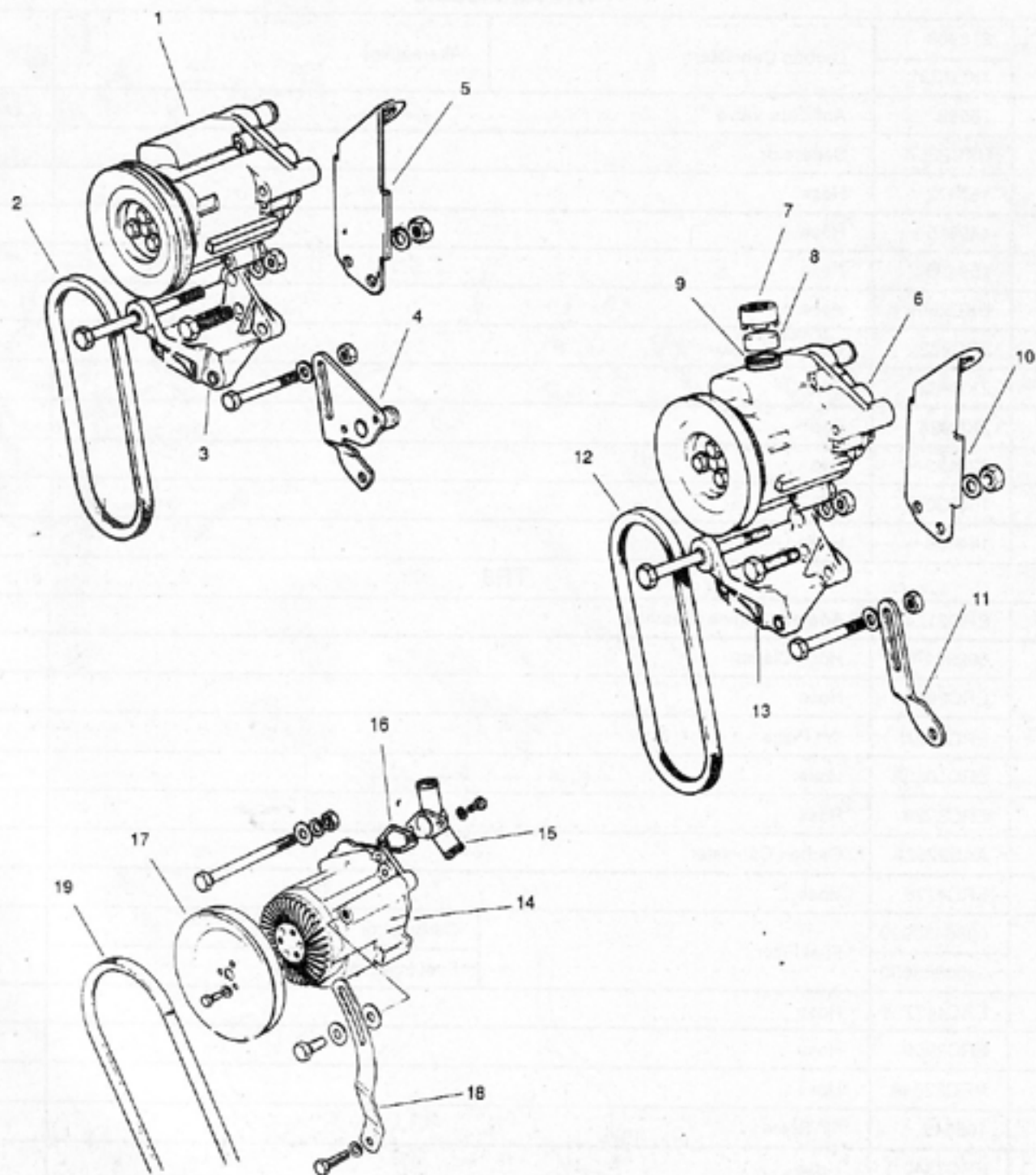
### TR8

14	ERC2124	Adaptor-Engine Breathing	1
15	602561A	Hose Clamp	2
16	ERC2988A	Hose	1
17	ERC882A	"Y" Piece	1
18	ERC1043A	Hose	1
19	ERC3223	Hose	1
20	AAU2252A	Carbon Canister	1
21	ERC4176	Hose	1
22	0986450999	Fuel Filter	Carburettor Models
	0450905030		Fuel Injection Models
23	ERC4177	Hose	1
24	ERC3959	Hose	1
25	NRC2284A	Hose	1
26	155645	"T" Piece	1
27	ERC3340	Hose	1
28	TKC3873	Bracket	1
29	UKC3794	Hose Clamp	4

Check All Vacuum Lines, It Is Advisable To Change Them If They Show Wear.

# EMISSION CONTROL

## TR7 & TR8 AIR PUMP & COMPONENTS



# EMISSION CONTROL

## TR7 & TR8 AIR PUMP & COMPONENTS

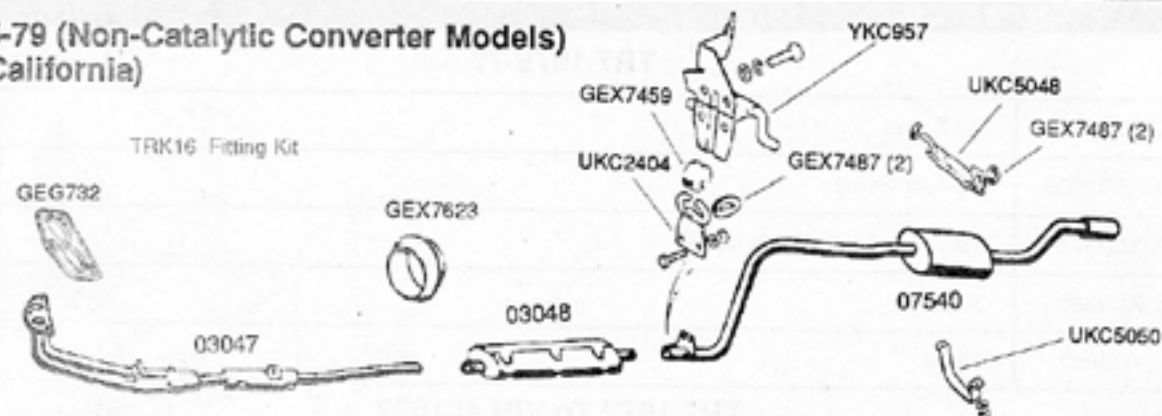
Ill. No.	Part No.	Description	Qty. Req'd.
<b>TR7 1975-77</b>			
1	RKC741	Air Pump	1
2	GCB10635	Belt-Air Pump	1
3	UKC3372	Air Pump Mounting Bracket	1
4	UKC4381	Adjuster	1
5	TKC3832	Plate	1
<b>TR7 1977 To VIN 401629</b>			
6	RKC3142	Air Pump	1
7	ERC3208A	Filter	1
8	ERC3209A	Element	1
9	UKC2595	Pulley	1
10	TKC3832	Plate	1
11	UKC7849	Adjuster	1
12	GFB263	Belt-Air Pump	1
13	UKC3372	Bracket Mounting Air Pump	1
<b>TR8</b>			
14	ERC1271	Air Pump	1
15	ERC1133	Adaptor	1
16	ERC1194A	Gasket	1
17	ERC3167	Pulley	1
18	ERC5490	Adjuster	1
19	ERC304	Belt-Air Pump	1

*NOTE: It Is Wise To Keep An Extra Set Of Formed Hoses & Driving Belts With You. Many Hoses & Belts Cannot Be Easily Purchased At Local Auto Parts Stores.*

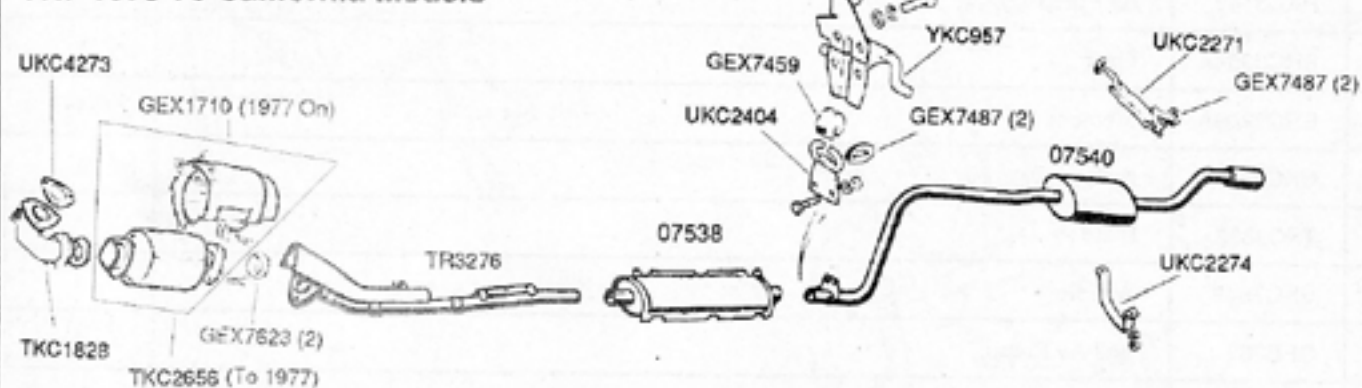
# EXHAUST

## TR7

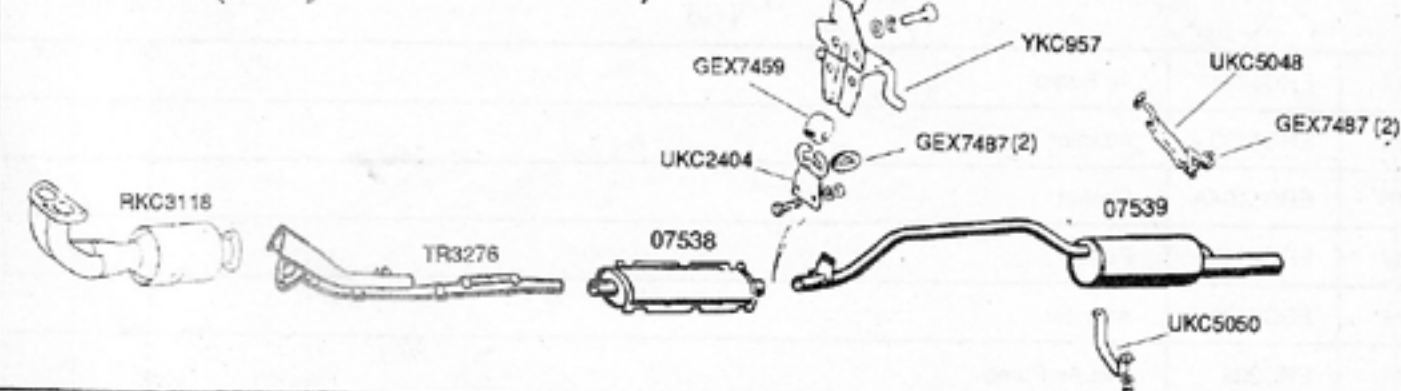
### TR7 1975-79 (Non-Catalytic Converter Models) (Except California)



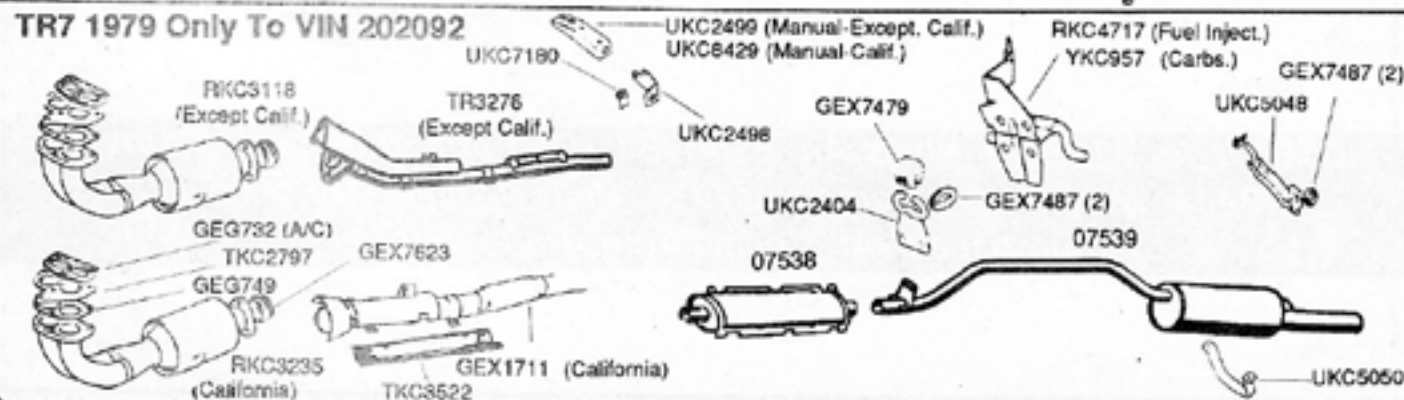
### TR7 1975-79 California Models



### TR7 1976-79 (Catalytic Converter Models)



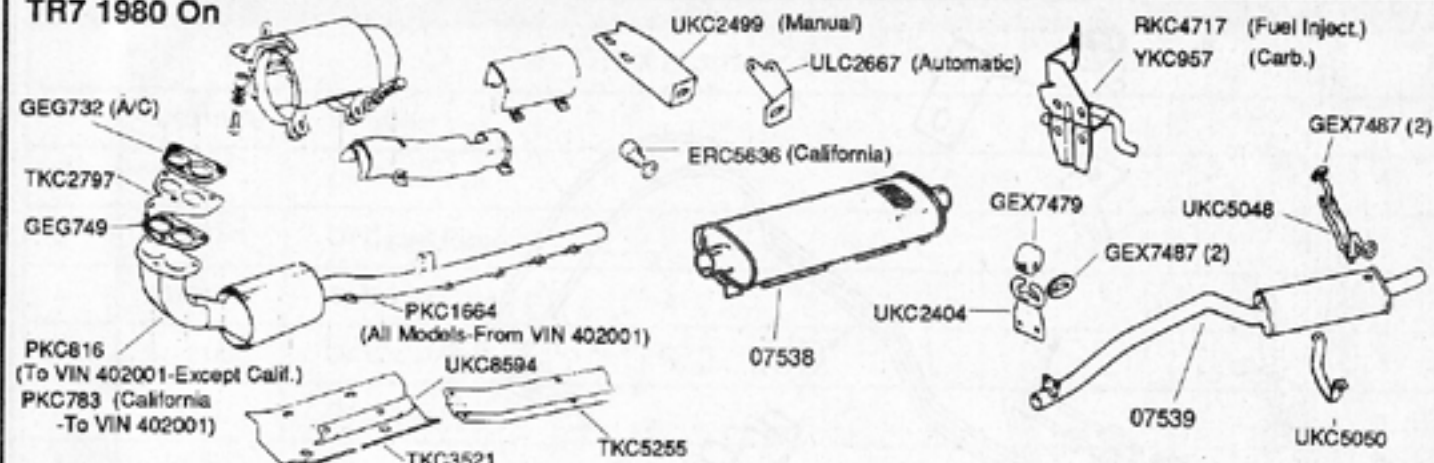
### TR7 1979 Only To VIN 202092



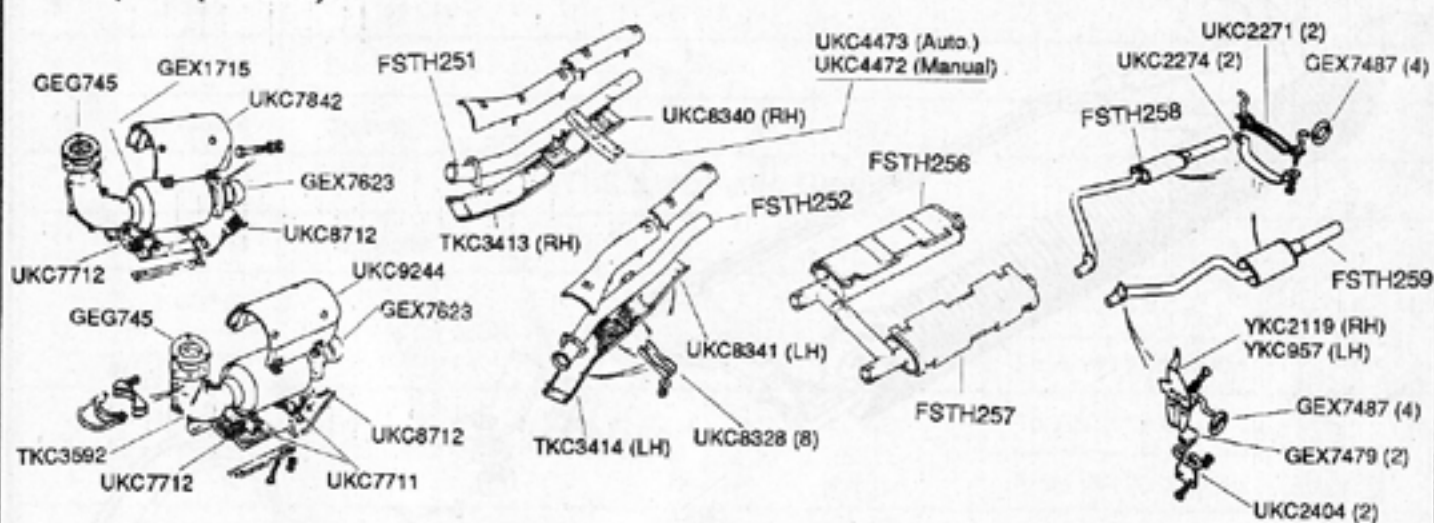
# EXHAUST

## TR7 & TR8

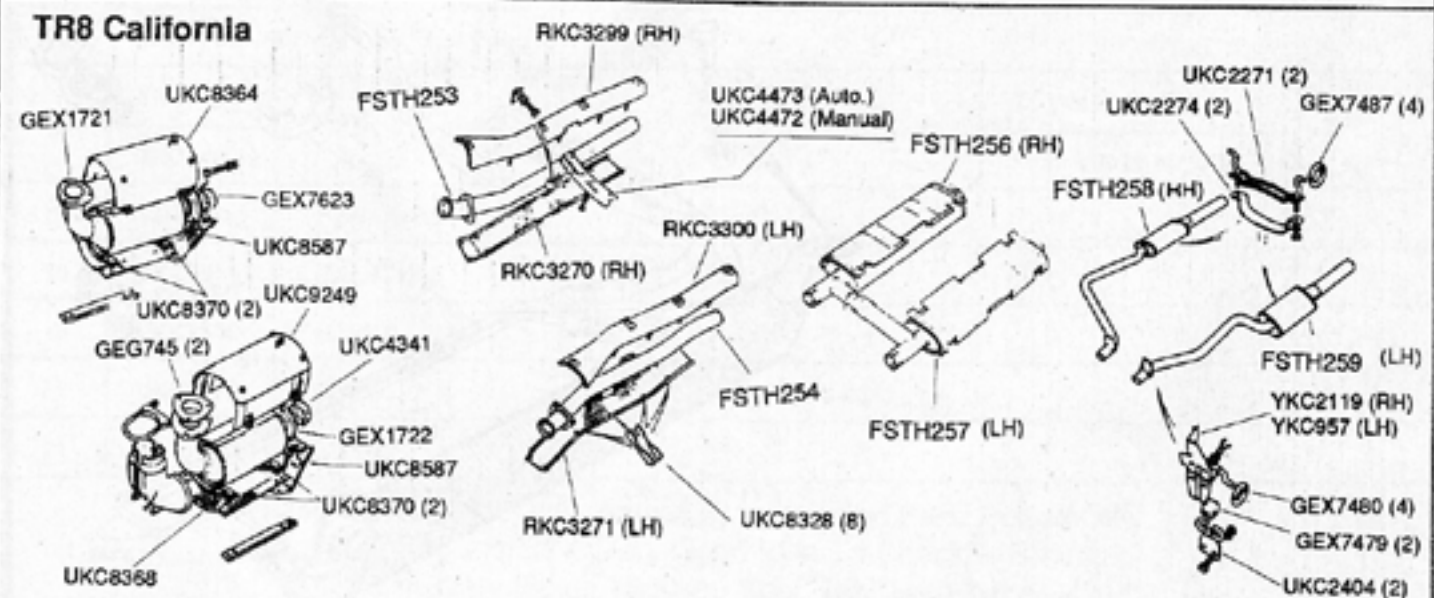
### TR7 1980 On



### TR8 (Except Calif.)

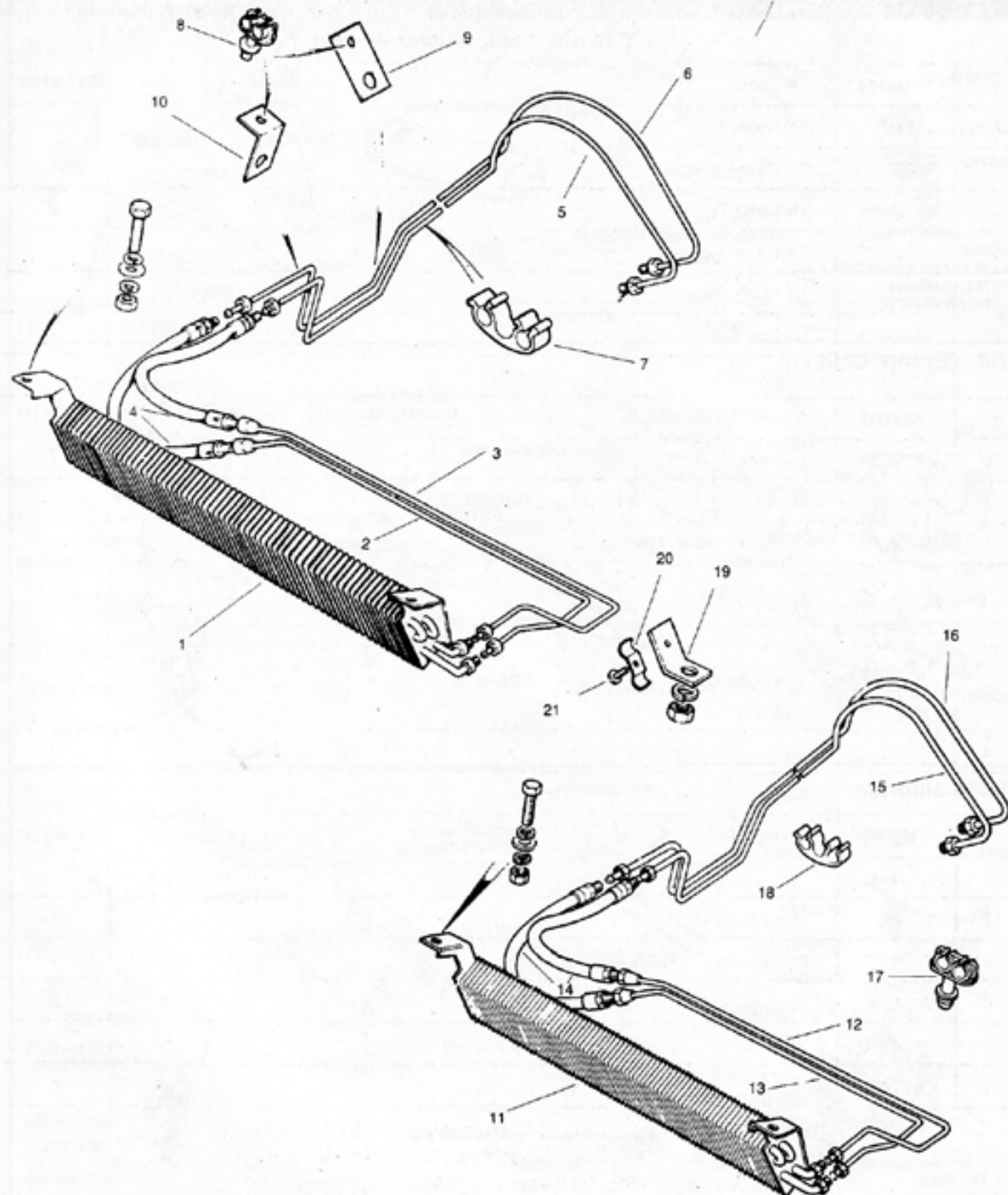


### TR8 California



# OIL COOLERS

## TR7 & TR7 OIL COOLERS & COMPONENTS



# OIL COOLERS

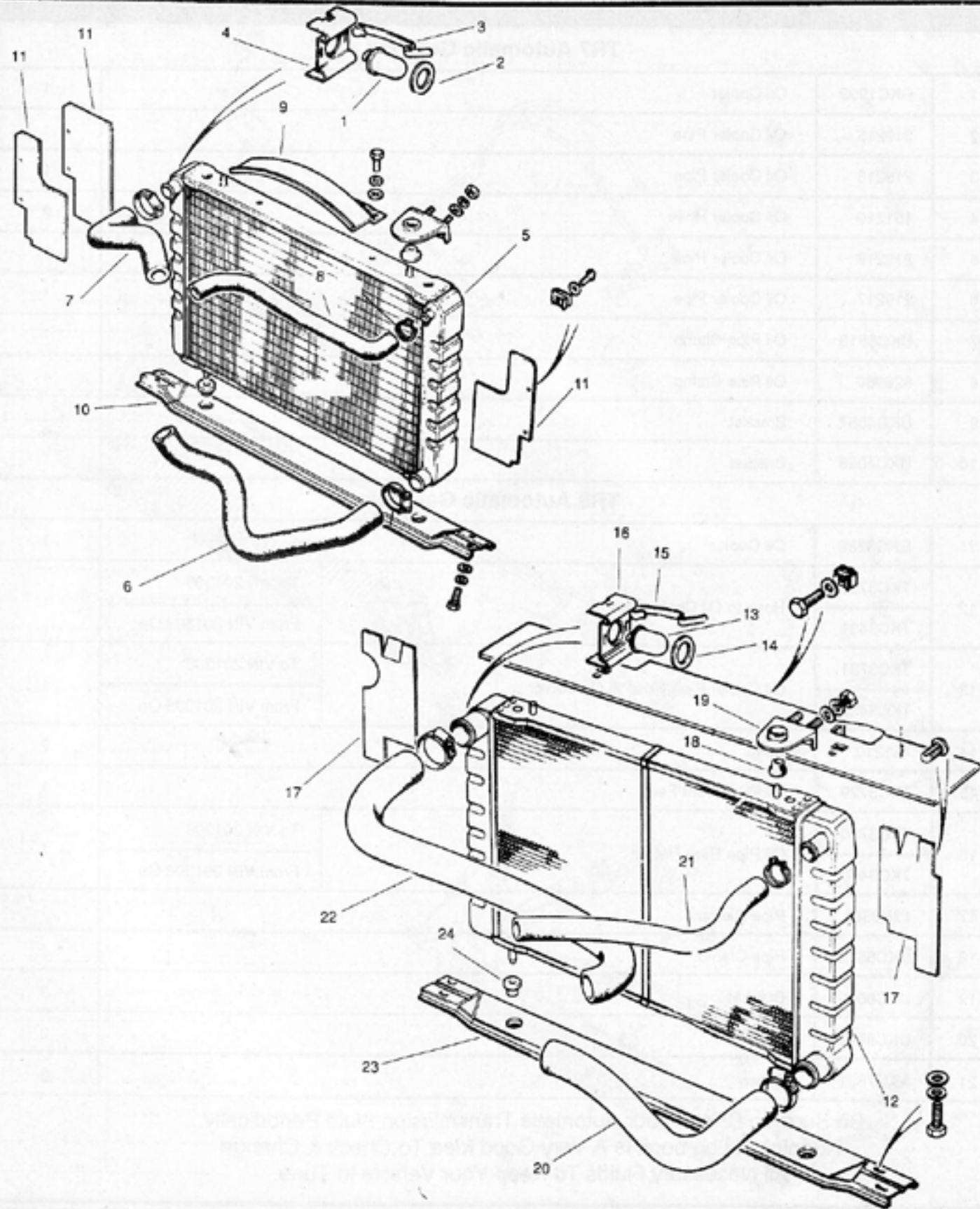
## TR7 & TR8 OIL COOLERS & COMPONENTS

Ill. No.	Part No.	Description	Qty. Req'd.
<b>TR7 Automatic Gearbox</b>			
1	RKC1909	Oil Cooler	1
2	219215	Oil Cooler Pipe	1
3	219216	Oil Cooler Pipe	1
4	151210	Oil Cooler Hose	2
5	219218	Oil Cooler Pipe	1
6	219217	Oil Cooler Pipe	1
7	UKC6519	Oil Pipe Clamp	1
8	626960	Oil Pipe Clamp	4
9	UKC4057	Bracket	1
10	UKC4058	Bracket	1
<b>TR8 Automatic Gearbox</b>			
11	RKC3288	Oil Cooler	1
12	TKC3732	Hose to Oil Cooler Pipe	To VIN 201308
	TKC3431		From VIN 201308 On
13	TKC3731	Oil Cooler Pipe-Hose to Oil Cooler	To VIN 201308
	TKC3432		From VIN 201308 On
14	151210	Hose	2
15	TKC3729	Oil Pipe Front Feed	1
16	TKC3730	Oil Pipe Rear Return	To VIN 201308
	TKC3430		From VIN 201308 On
17	13H8361	Pipe Clamp	1
18	UKC6519	Pipe Clamp	1
19	UKC8590	Bracket	3
20	UKC8572	Bracket	3
21	AAU7631	Screw	3

Be Sure To Check Your Automatic Transmission Fluid Periodically.  
Keeping A Log book Is A Very Good Idea To Check & Change  
All Necessary Fluids To Keep Your Vehicle In Tune.

# COOLING

## TR7 & TR8 RADIATORS & COMPONENTS



# COOLING

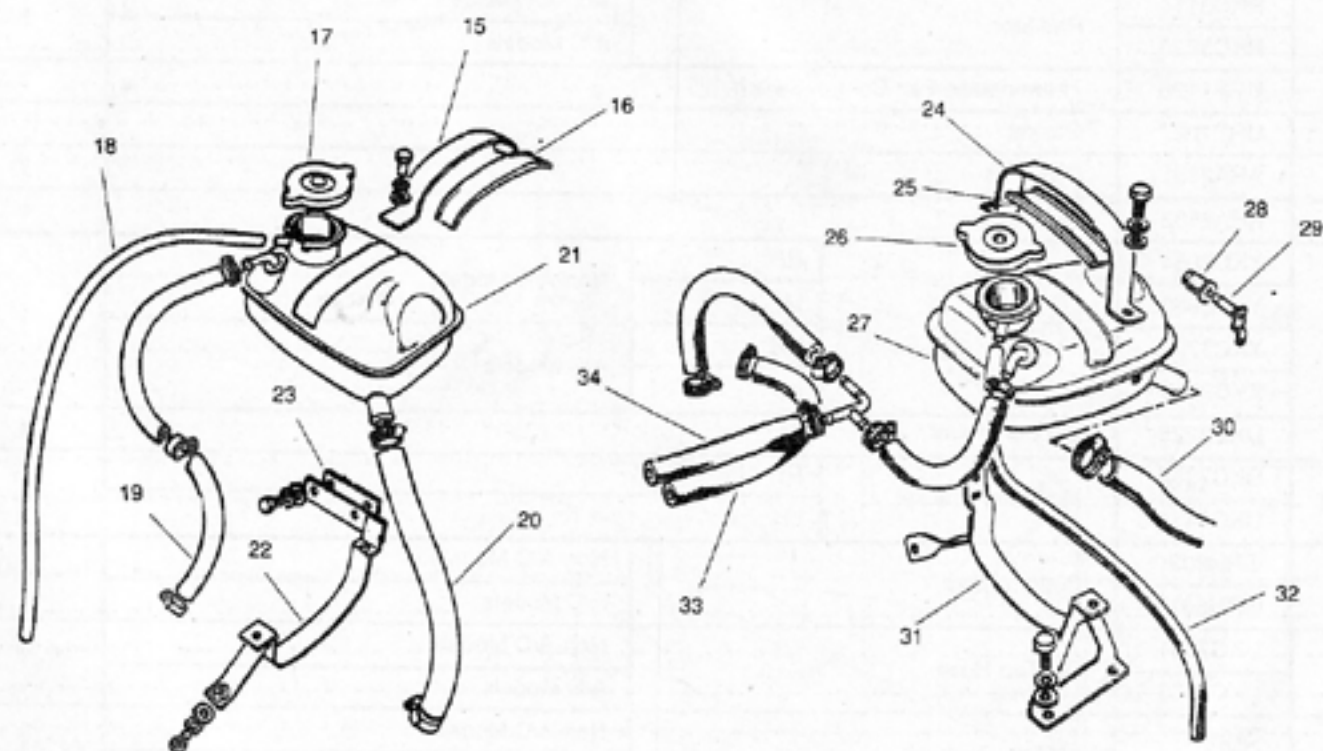
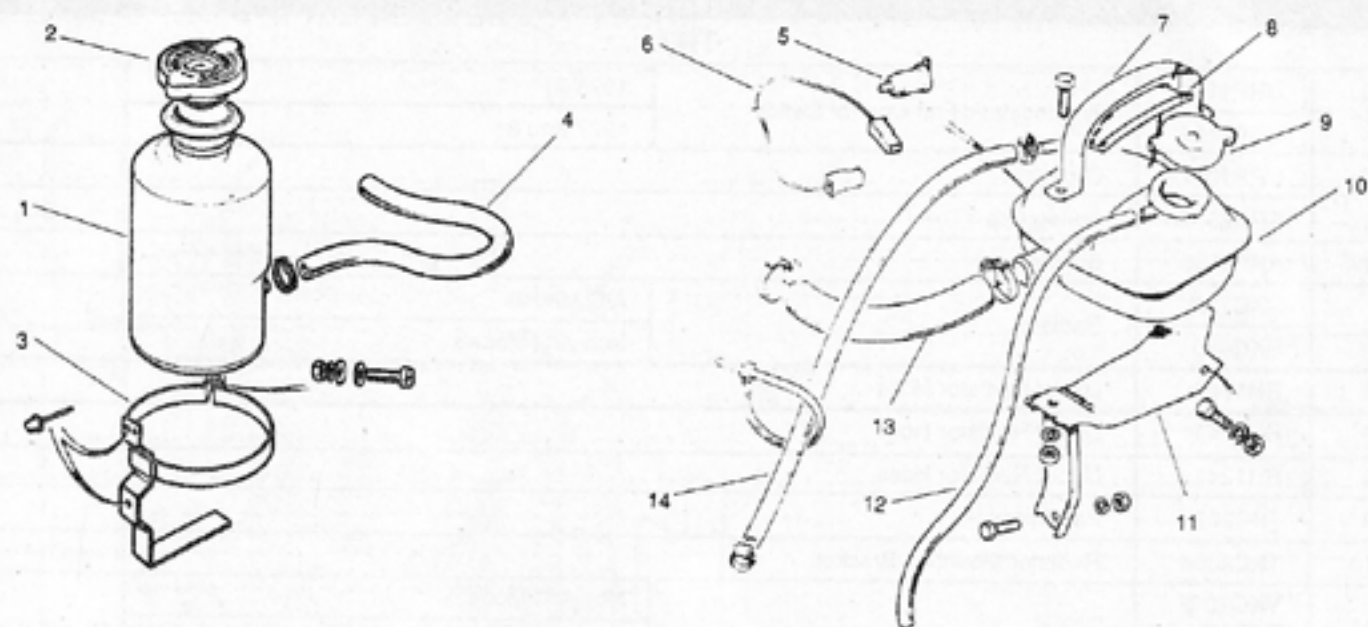
## TR7 & TR8 RADIATORS & COMPONENTS

Ill. No.	Part No.	Description	Qty. Req'd.
<b>TR7</b>			
1	URP1126	Thermostatic Fan Control Switch	1975-77
	URP1126		1977 thru 81
2	URP1027	Grommet	1
3	ARH2531	Spring Clip	1
4	ARA2535	Bracket	1
5	RKC137	Radiator	A/C Models
	RKC450		Non-A/C Models
6	RH1245	Lower Radiator Hose	1
7	RH1243	Upper Radiator Hose	1
8	RH1244	Upper Radiator Hose	1
9	TKC282	Fan Shroud	1
10	TKC4364	Radiator Mounting Bracket	1
11	YKC1002	Shield	Non-A/C Models
	YKC1001		A/C Models
<b>TR8</b>			
12	RKC3114	Radiator	Non-A/C Models
	RKC3220		A/C Models
13	URP1126	Thermostatic Fan Control Switch	1
14	URP1027	Gasket	1
15	ARA2531	Clip	1
16	ARA2532	Bracket	1
17	YKC2954	Baffle	RH Non-A/C Models
	YKC2953		LH Non-A/C Models
	XKC3724		RH A/C Models
	XKC3725		LH A/C Models
18	UKC2225	Rubber Mount	2
19	UKC7988	Mounting Bracket	RH
	UKC8459		LH
20	GRH603	Bottom Hose	Non-A/C Models
	GRH601		A/C Models
21	UKC7891	RH Top Hose	Non-A/C Models
	UKC7803		A/C Models
22	GRH602	LH Top Hose	Non-A/C Models
	GRH611		A/C Models
23	RKC532	Radiator Support	Non-A/C Models
	RKC3112		A/C Models
24	UKC2225	Bushing	2

NOTE: A/C=Air Conditioning

# COOLING

## TR7 & TR8 OVERFLOW BOTTLES



# COOLING

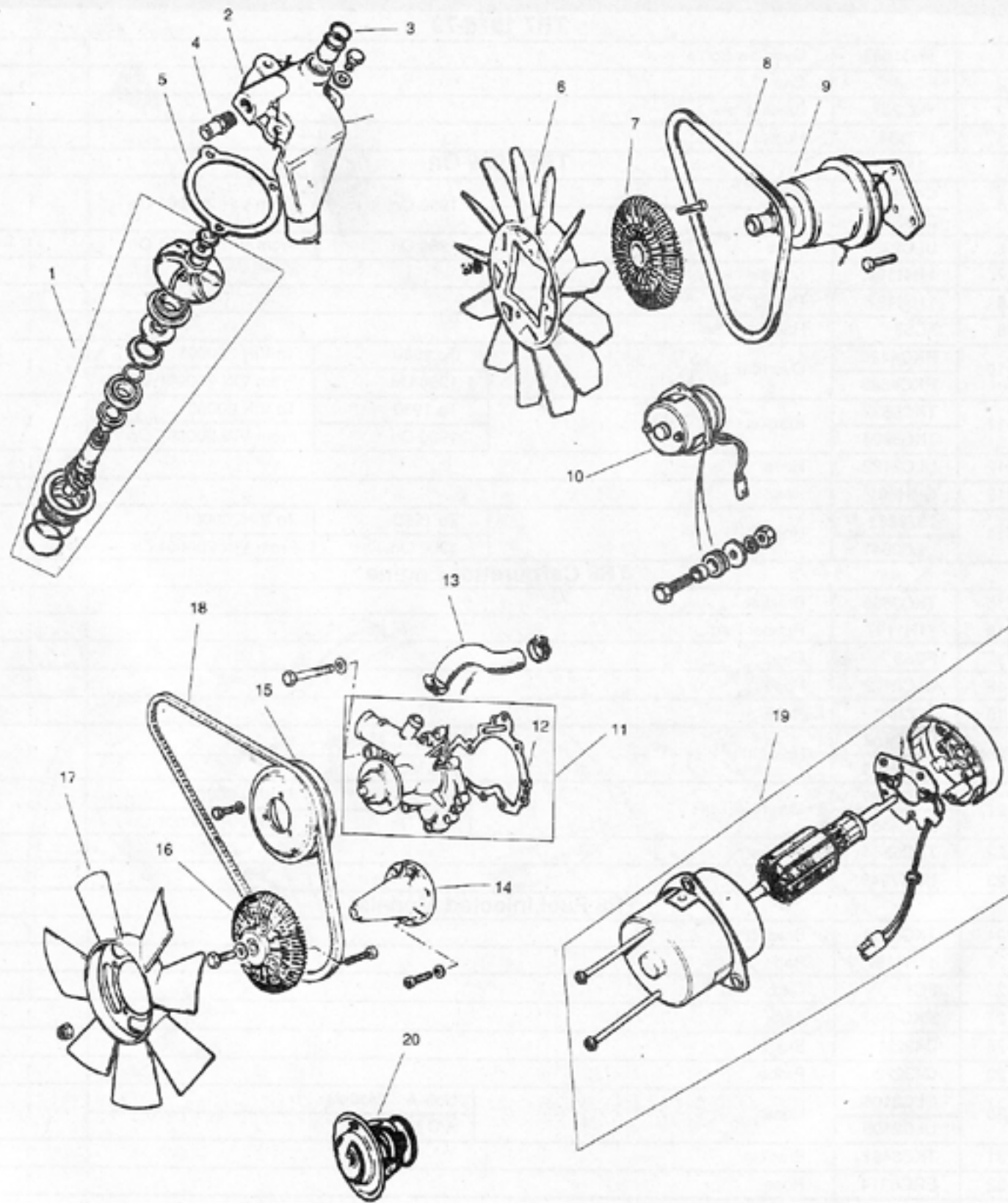
## TR7 & TR8 OVERFLOW BOTTLES

Ill. No.	Part No.	Description			Qty. Req'd.
<b>TR7 1975-79</b>					
1	TKC1887	Overflow Bottle			1
2	FC53	Cap			1
3	YKC267	Bracket			1
4	157384	Hose			1
<b>TR7 1979 On</b>					
5	C43221	Bush	1980 On	From VIN 200001 On	1
	C43222	Probe			
6	ULC2353	Lead	1980 On	From VIN 200001 On	1
7	11H1196	Bracket			1
8	11H1197	Rubber Pad			1
9	FC53	Radiator Cap			1
10	RKC4466	Overflow Tank	To 1980	To VIN 200001	1
	RKC4509		1980 On	From VIN 200001 On	
11	TKC5592	Bracket	To 1980	To VIN 200001	1
	TKC5604		1980 On	From VIN 200001 On	
12	ULC2122	Hose			1
13	GRH661	Hose			1
14	157388	Hose	To 1980	To VIN200001	1
	ULC2641		1980 On	From VIN 200001 On	
<b>TR8 Carburettor Engine</b>					
15	TKC5558	Bracket			1
16	11H1197	Rubber Pad			1
17	FC53	Cap			1
18	ULC2122	Hose			1
19	157387	Hose			1
20	ULC2104	Hose	Non-A/C Models		1
	ULC2103		A/C Models		
21	RKC4407	Overflow Tank	To 1980	To VIN 200001	1
	RKC4552		1980 On	From VIN 200001 On	
22	TKC5564	Bracket			1
23	UKC7948	Plate			1
<b>TR8 Fuel Injected Models</b>					
24	TKC5558	Bracket			1
25	11H1197	Pad			1
26	FC53	Cap			1
27	RKC4552	Tank			1
28	C43221	Bush			1
29	C43222	Probe			1
30	ULC2106	Hose	Non-A/C Models		1
	ULC2105		A/C Models		
31	TKC5481	Bracket			1
32	ERC6314	Hose			1
33	ERC6311	Hose-Manifold/Water			1
34	ERC6312	Hose-Water Jacket/"T" Piece			1



**COOLING**

**TR7 & TR8  
WATERPUMPS, FAN CLUTCH, FAN BLADES & MOTORS**



**COOLING**

**TR7 & TR8  
WATERPUMPS, FAN CLUTCH, FAN BLADES & MOTORS & THERMOSTATS**

Ill. No. Part No. Description Qty. Req'd.

**TR7**

1	GWP207	Waterpump*	Comes W/3 Different Gasket Sizes.	1975-77	1
	GWP206		12 Straight Vains On Impellor. Comes W/3 Different Gasket Sizes.	1977 thru 81	
2	RKC395	Waterpump Cover			1
3	TRS1114	"O" Ring			2
4	UKC1802	Adaptor			1
5	149852	Waterpump Gasket	.020		1
	149853		.030		
	145017		.010		
6	PKC1281	Fan Blade			1
7	T55C	Fan Clutch			1
8	GCB10900	Fan Belt			1
9	UKC1769	Fan Bearing & Pulley Assy.			1
10	78535	Electric Cooling Fan Motor			2

**TR8**

11	GWP204	Waterpump			1
12	610756	Waterpump Gasket			1
13	ERC2279	Hose from Waterpump			1
14	ERC1519	Hub-Fan Clutch	Non-A/C Models		1
15	ERC3166	Pulley			1
16	ERC94A	Fan Clutch	Non-A/C Models		1
17	614739A	Fan Blade			1
18	GCB51168	Fan Belt			1
19	78535	Electric Cooling Fan Motor			2

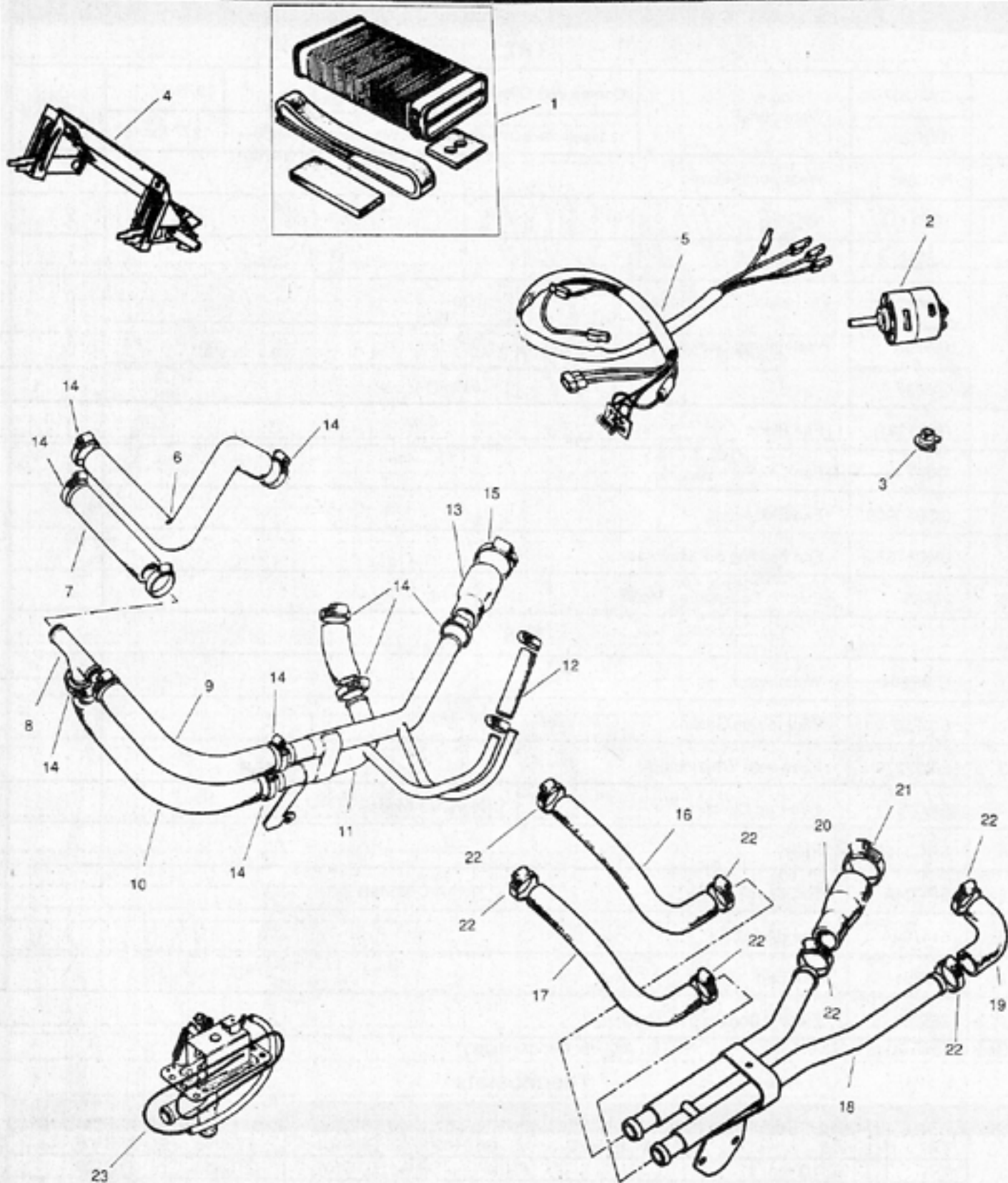
\*Gasket sizes listed in Ill# 5. NOTE: A/C=Air Conditioning

**Thermostats**

Ill. No.	Model	165	180	190	Gasket	
20	TR7 1975	To Eng# CL1467E	GTS103	GTS101	GTS280	GTG103
	TR7 1975 1/2 thru 81		-----	GTS101	GTS280	GTG103
	TR8 1979		-----	GTS104	-----	GTG125
	TR8 1980 thru 81		-----	-----	GTS106	GTG125

# HEATING

## TR7 & TR8 HEATER MATRIX, MOTOR, HOSES & COMPONENTS



# HEATING

## TR7 & TR8 HEATER MATRIX, MOTOR, HOSES & COMPONENTS

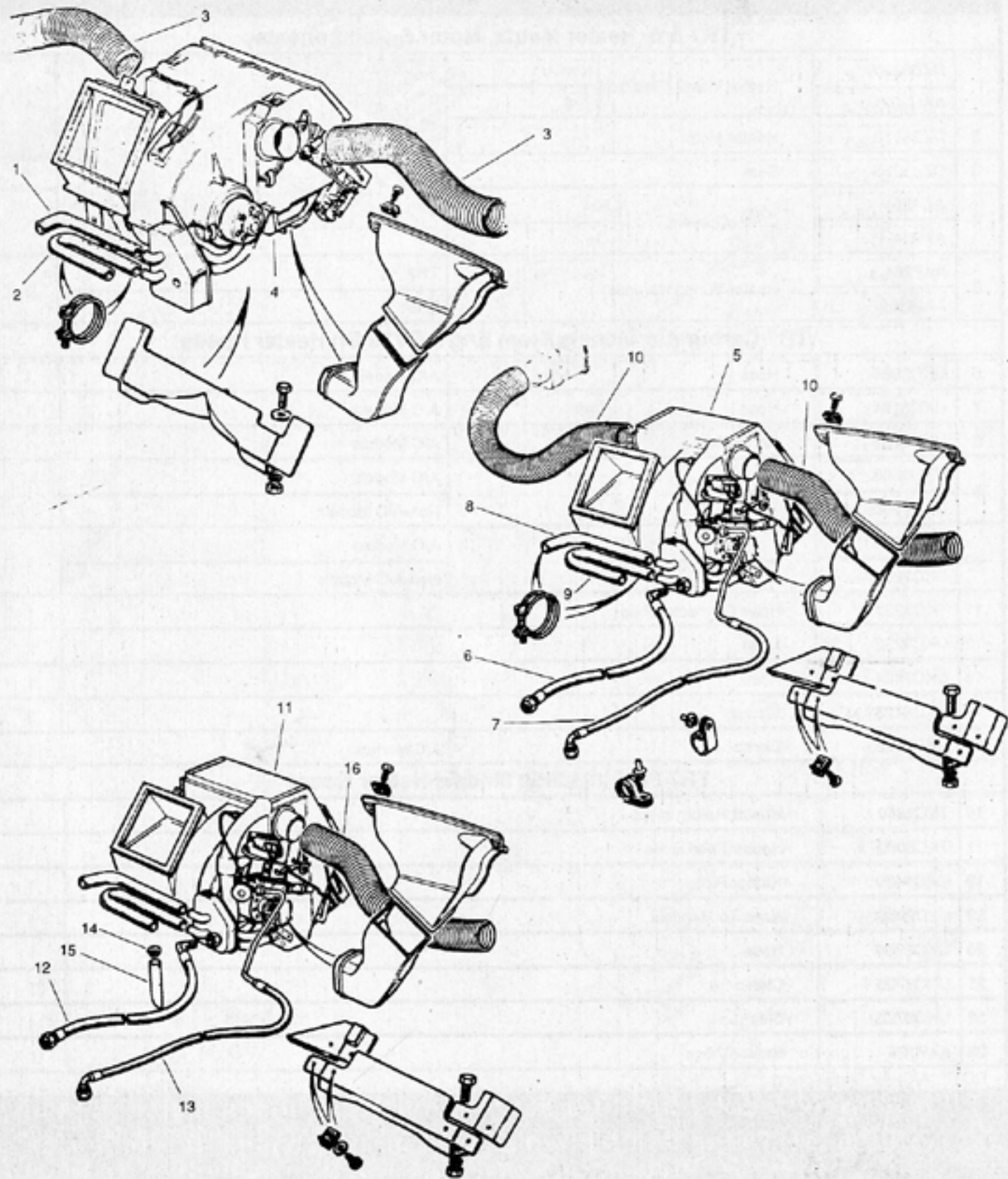
Ill. No.	Part No.	Description	Qty. Req'd.	
<b>TR7 &amp; 8 Heater Matrix, Motor &amp; Components</b>				
1	DZB3226	Heater Matrix (Radiator)	Non AC	
	AAU2021		A/C	
2	DZB3159	Heater Motor	Fits Both TR7 & 8	
3	DZB3255	Seal		
4	AAP25	Control Levers		RH
	AAP24			LH
5	AAP281	Heater Wiring Harness	TR7	
	AAP223		TR8	
<b>TR7 Carburetor Models From Eng # CV10 On Heater Hoses</b>				
6	UKC3894	Hose	A/C Models	
7	UKC8184	Hose	A/C Models	
8	UKC8186	Connctor	A/C Models	
9	UKC9563	Hose	A/C Models	
	UKC7950		Non-A/C Models	
10	UKC8183	Hose	A/C Models	
	UKC7950		Non-A/C Models	
11	TKC3223	Hose Connector Pipe		
12	UKC8232	Hose		
13	UKC7954	Hose		
14	UKC6723	Clamp		
15	UKC6726	Clamp	A/C Models	
<b>TR7 Fuel Injection Models Heater Hoses</b>				
16	TKC3950	Heater Return Hose		
17	TKC6069	Heater Feed Hose		
18	RKC4430	Heater Pipe		
19	ULC2033	Hose To Manifold		
20	UKC7954	Hose		
21	UKC6726	Clamp		
22	UKC6723	Clamp		
23	AAP128	Heater Valve		

NOTE: A/C=Air Conditioning

It is wise to carry an extra set of fan belts & hoses with you at all times. These items often cannot be purchased at a repair station or local parts store.

# HEATING

## TR7 & TR8 HEATER UNITS & HOSES



# HEATING

## TR7 & TR8 HEATER UNITS & HOSES

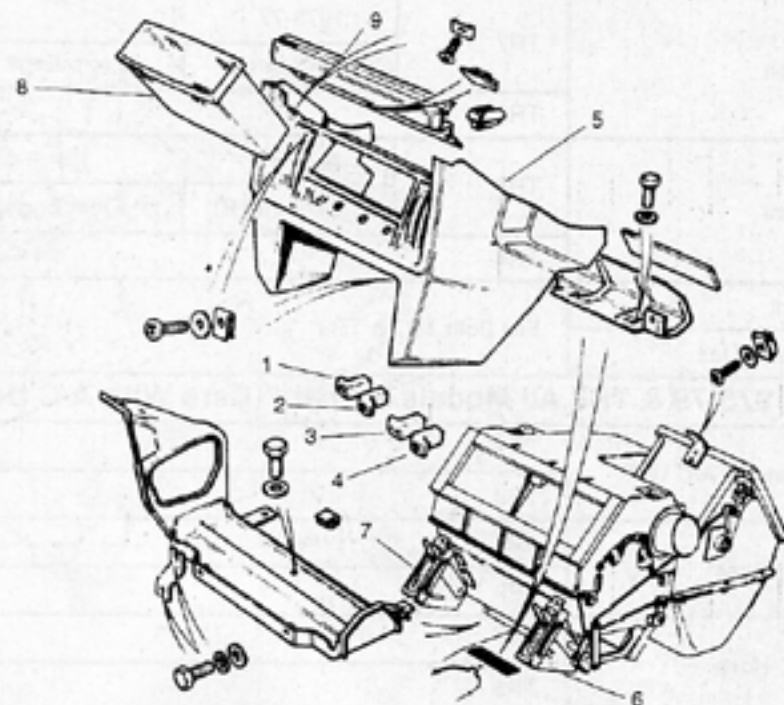
Ill. No.	Part No.	Description	Qty. Req'd.			
<b>TR7 &amp; TR8 With Heaters Only (Non-A/C Models)</b>						
1	UKC3895	Hose	TR7	1975-77	1	
	UKC7950			1977 thru 81		From Eng# CV10 On
	RKC4229		TR8			
2	UKC3894	Hose	TR7	1975-77	1	
	UKC7950			1977 thru 81		From Eng# CV10 On
	UKC7257		TR8			
3	715036	Vent	Fits Both TR7 & TR8		1	
4	AAP53	Heater Unit	Fits Both TR7 & TR8		1	
<b>TR7 1975-79 &amp; TR8 All Models &amp; Years (Cars With A/C Units)</b>						
5	AAP150	Heater & A/C Unit	TR7		1	
	AAP274		TR8			
6	UKC9914	A/C Hose	TR7		1	
	TKC3495		TR8			
7	RKC3850	A/C Hose	TR7		1	
	TKC3492		TR8			
8	UKC3895	Hose	TR7	1975-77	To Eng# CV10	1
			TR7	1977-79	From Eng# CV10 On	
	TR8					
9	UKC6775	Hose	TR7	1975-77	To Eng# CV10	1
	UKC3894			1977-79	From Eng# CV10 On	
10	715036	Vent Hose	TR7 & TR8	1975-79	1	
<b>TR7 1979 On</b>						
11	AAP273	Heater Unit	1979 On	Cars W/Heaters Only	1	
	AAP274	Heater A/C Unit		Cars W/Both Heater & A/C Units		
12	UKC9914	A/C Hose		A/C Models Only	1	
13	RKC3850	A/C Hose		A/C Models Only	1	
14	577771	Grommet		A/C Models Only	1	
15	154723	Drain Tube		A/C Models Only	1	
16	715036	Vent Pipe		Cars W/Both Heater & A/C Units	2	

NOTE: A/C=Air Conditioning

*It is wise to carry an extra set of fan belts & hoses with you at all times. These items often cannot be purchased at a repair station or local parts store.*

# HEATING

## TR7 & TR8 HEATING & AIR CONDITIONING KNOBS, MAP BOX, RADIO SUPPORT PAD & CONSOLE



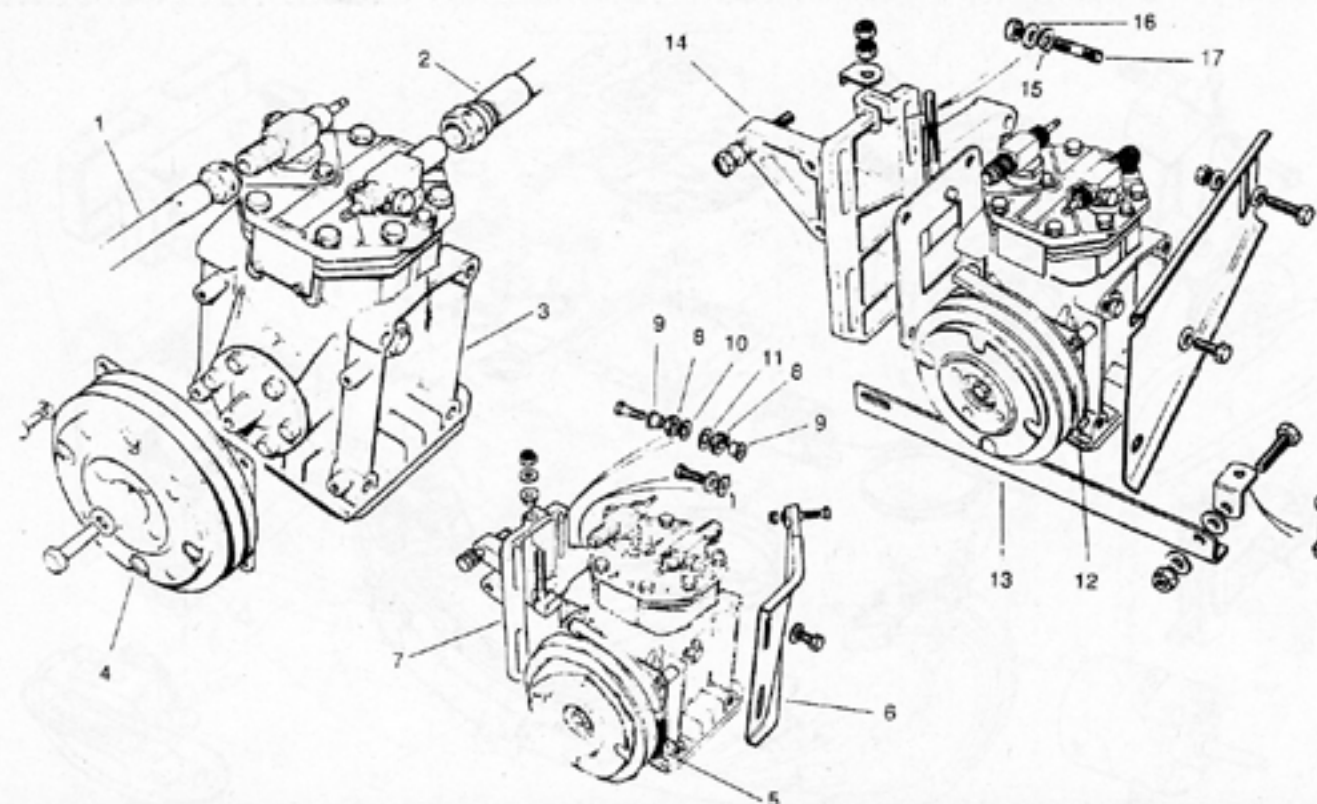
Ill. No.	Part No.	Description	Qty. Req'd
1	ZKC1222	Vent Knob	1
2	ZKC1220	LH Heater Knob	1
3	ZKC1221	Air Knob	To VIN 402001
	ZKC4011		From VIN 402001 On
4	ZKC1219	RH Heater Knob	1
5	YKC1859PA	Dash Panel (Black)	1975-80 Non-A/C Models To VIN 200001
	YKC1882PA		1980 On A/C Models To VIN 200001
6	AAP106	RH Vent Lever	Non-A/C Models
	AAP25		A/C Models
7	AAP105	LH Vent Lever	Non-A/C Models
	AAP24		A/C Models
8	XKC981PA	Tray (Black)	1975-79
9	YKC861PA	Top Dash Panel (Black)	1975-79
	XKC2902PA		1979-80 To VIN 200001

NOTE: A/C=Air Conditioning  
NOTE: "PA" Suffix is the color code for black.

*If Model Is Not Mentioned, Part Number Fits Both TR7 & TR8*

# AIR CONDITIONING

## TR7 COMPRESSOR & COMPONENTS

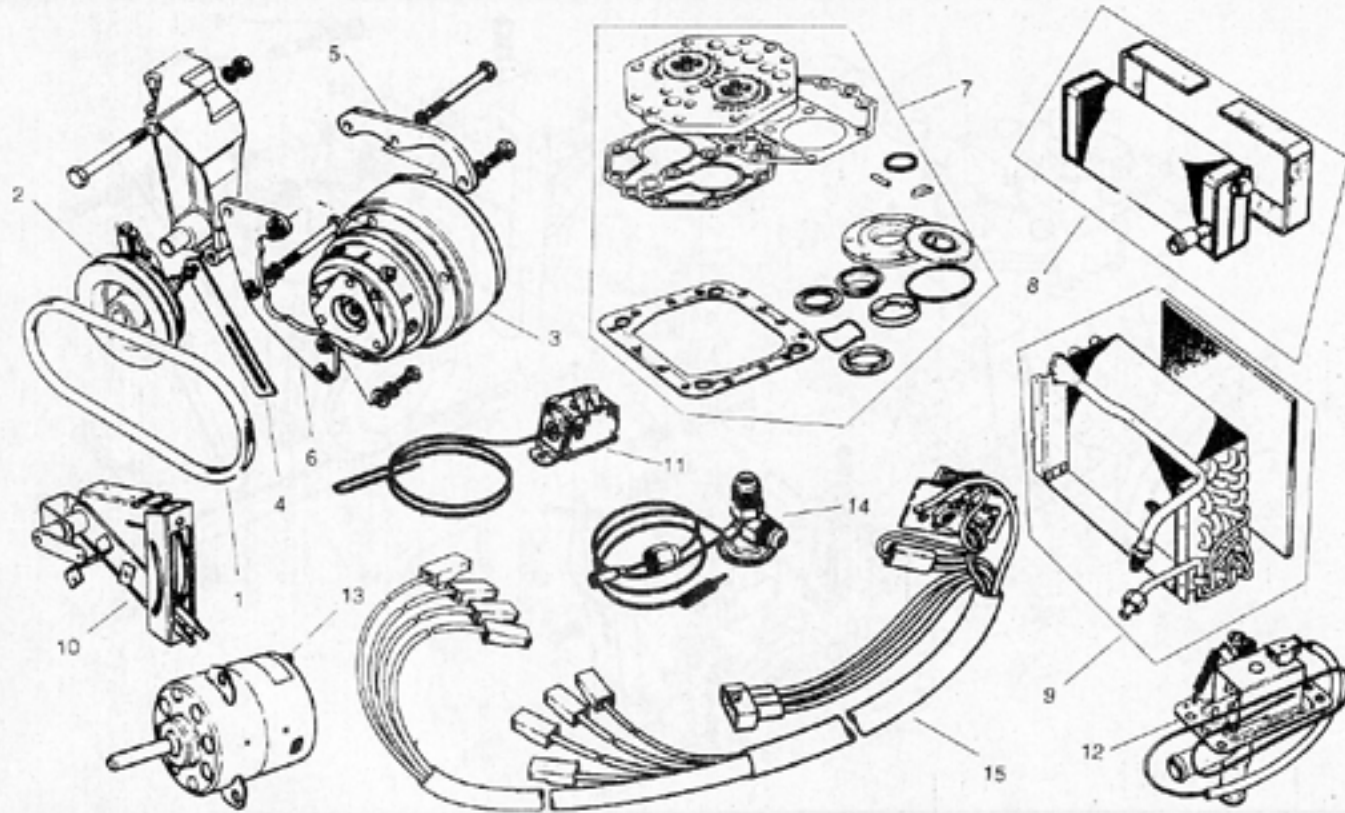


Ill. No.	Part No.	Description	Qty. Req'd
<b>TR7 Compressor &amp; Components</b>			
1	UKC3698	A/C Hose	1
2	UKC3699	A/C Hose	1
3	RKC3377	Compressor	1
4	BLM601026	Pulley	1
<b>TR7 To VIN ACL3681 (Federal) &amp; ACL3937 (Calif.) Compressor Mounting</b>			
5	TKC3290	Belt	1
6	UKC6015	Bracket	1
7	RKC117	Bracket	1
8	UKC5555	Rubber Bushing	4
9	UKC5554	Spacer Bush	4
10	UKC5809	Spacer	2
11	UKC5810	Washer	6
<b>TR7 From VIN ACL3682 (Federal) &amp; ACL3938 (Calif.) On Compressor Mounting</b>			
12	TKC3290	Belt	1
13	TKC2799	Bracket	1
14	UKC8990	Bracket	1
15	WM79	Spacer	2
16	UKC6911	"D" Washer	1
17	115696	Stud	3

It is wise to carry an extra set of fan belts & hoses with you at all times. These items often cannot be purchased at a repair station or local parts store.

# AIR CONDITIONING

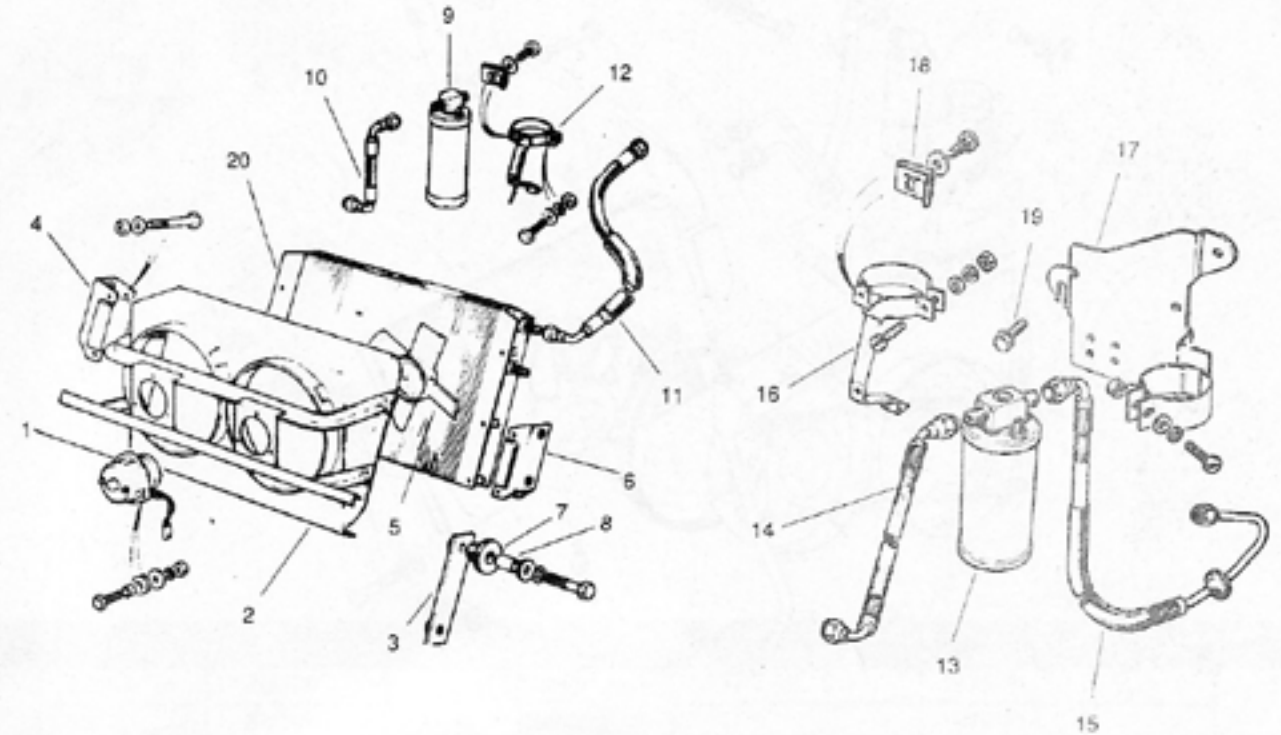
## TR7 & TR8 COMPRESSOR, RADIATOR, EVAPORATOR, CONTROL LEVERS, MOTORS & VALVES



Ill. No.	Part No.	Description	Qty. Req'd.	
<b>TR8 Compressor &amp; Components</b>				
1	GFB20768	Belt	1	
2	ERC2693	Pulley	1	
3	ERC3010	Compressor	1	
4	ERC3215	Adjustable Bracket	1	
5	ERC2931	Mounting Bracket	1	
6	ERC2930	Mounting Bracket	1	
7	AEU1154	Compressor Service Kit	1	
<b>TR7 &amp; TR8 Air Conditioning Radiator, Evaporator, Control Levers, Motors &amp; Valves</b>				
8	AAU2021	Radiator & Seal Kit	1	
9	AAP156	Evaporator Kit	1	
10	AAP106	RH	See Page 102 For Knobs	
	AAP105	LH		
11	AAP130	A/C Control Valve	Fitted to Cars With AAP274 A/C Unit	
12	AAP128	A/C Water Valve		
13	AAU2023	Motor		
14	AAP197	Expansion Valve		
15	AAP224	Harness & Thermo-Resistor		TR7
	AAP278			TR8

# AIR CONDITIONING

## TR7 CONDENSER, RECEIVER DRIER & COMPONENTS

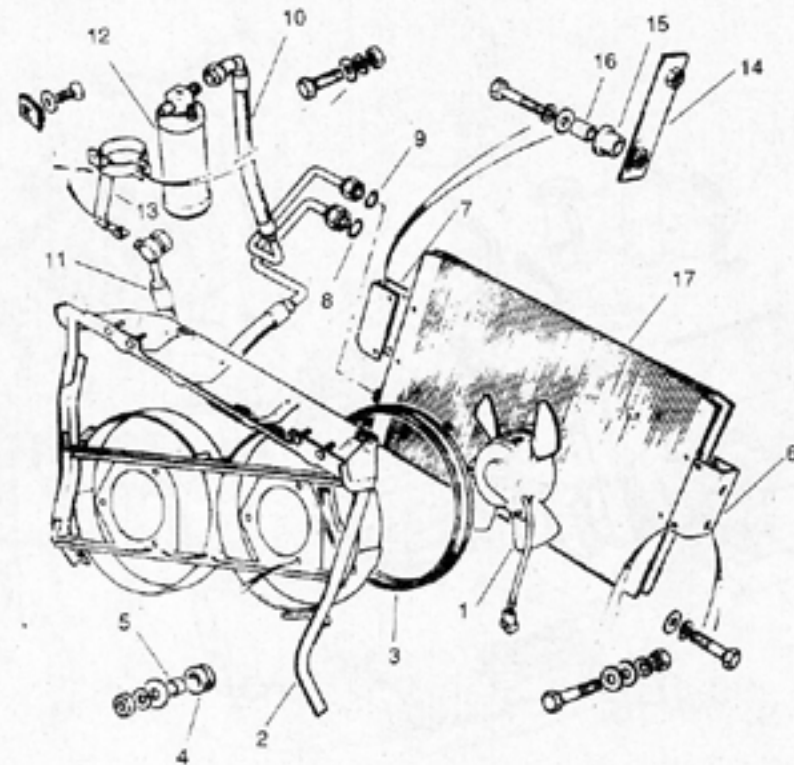


Ill. No.	Part No.	Description	Qty. Req'd.		
1	78535	Fan Motor	1		
2	PKC95	Fan Shroud	1		
3	UKC3266	LH Mounting Bracket	1		
4	UKC2583	RH Mounting Bracket	1		
5	13H8238	Fan Blade	2		
6	UKC3259	LH Mounting Bracket	1		
7	UKC3261	Bushing	1		
8	UKC3262	Tube	1		
9	TKC1605	Receiver Drier	1		
10	UKC3697	Hose-Receiver Drier	1		
11	UKC3698	A/C Hose	1		
12	UKC4809	Bracket	1		
13	TKC1605	Receiver Drier	1		
14	UKC3697	Hose to Condenser	1		
15	RKC3850	Hose to A/C Unit	1		
16	UKC4809	Bracket	To 1980	To VIN 200001	1
17	TKC4372	Bracket	1980 On	From VIN 200001 On	1
18	NKC490	Spire Nut	To 1980	To Vin 200001	1
19	AAU8606	Screw	1980 On	From VIN 200001 On	1
20	RKC609	Condenser			1

NOTE: A/C=Air Conditioning

# AIR CONDITIONING

## TR8 CONDENSER, RECEIVER DRIER & COMPONENTS

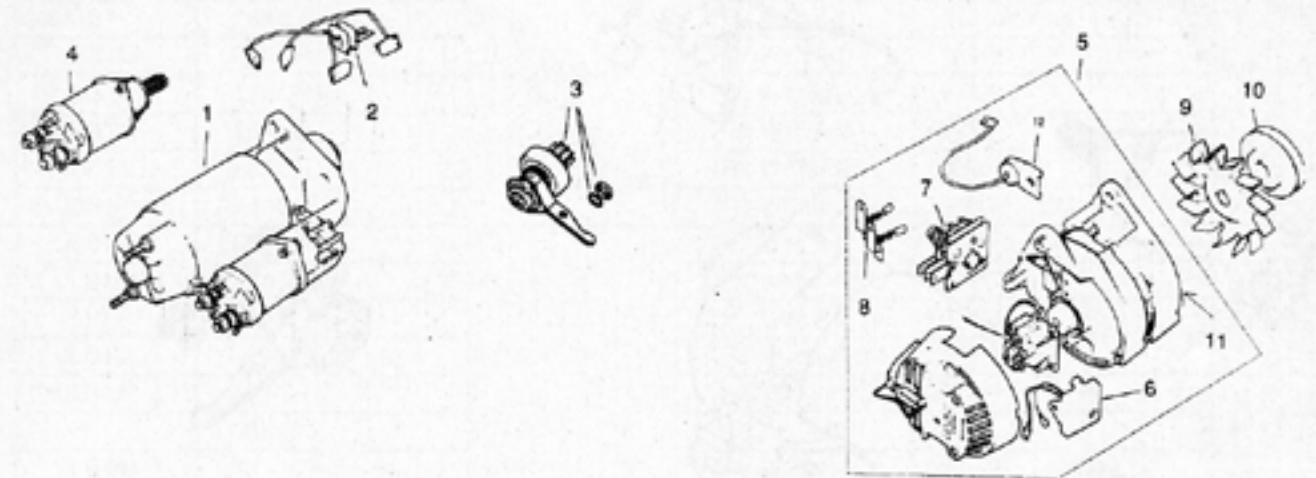


Ill. No.	Part No.	Description	Qty. Req'd.
1	RKC3107	Fan Motor	1
2	PKC249	Fan Shroud	1
3	YKC1771	Ring	1
4	UKC5480	Rubber Bushing	6
5	UKC5481	Tube	6
6	UKC7818	RH Bracket	1
7	UKC3259	LH Bracket	1
8	KRC1156	"O" Ring	1
9	KRC1154	"O" Ring	1
10	TKC3493	A/C Hose	1
11	TKC3494	A/C Hose	1
12	TKC1605	Receiver Drier	1
13	TKC4184	Bracket-Receiver Drier	1
14	UKC7798	Bracket Plate	1
15	UKC3261	Rubber Bushing	1
16	UKC3262	Tube	1
17	RKC3093	Condenser	1

NOTE: A/C=Air Conditioning

# ELECTRICAL

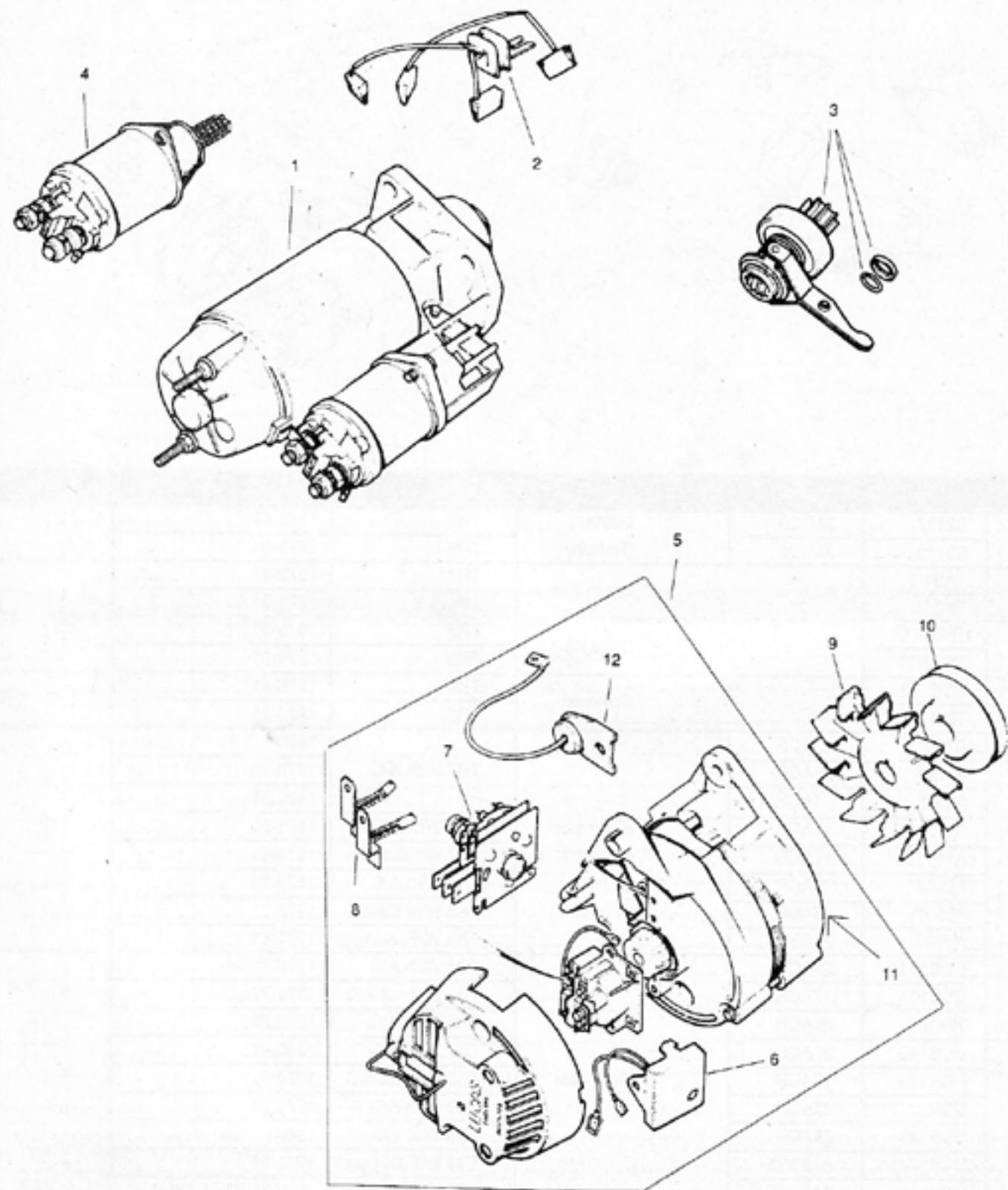
## TR7 & TR8 STARTERS, ALTERNATORS & COMPONENTS



Ill. No.	Part No.	Description	Qty. Req'd.
1	S2117	2M100 Starter	1
	S3119	3M100 (Rebuilt)	
2	TAB124	Brush Set	1
	TAB113		
3	TNB144	Drive Kit	1
	TNB152		
4	TOB159	Solenoid	1
	TOB142		
5	A2501	20ACR	1
	A2501	25ACR	
	A2506	25ACR	
	A1721	17ACR	
	A1611	17ACR	
	A2504	25ACR	
	A2507	25ACR	
	A2507	A133/75	
6	UCB104	20ACR	1
	UCB104	17ACR	
	37610	25ACR	
	UCB145	25ACR	
	UCB129	17ACR	
	UCB104	25ACR	
	UCB145	25ACR	
	UCB104	A133/75	
	UCB125	A133/75	
	Regulator		
Alternator (Rebuilt)			
Starter (Rebuilt)			
Brush Set			
Drive Kit			
Solenoid			
Fan Motor			
Fan Shroud			
Ring			
Rubber Bushing			
Tube			
RH Bracket			
LH Bracket			
"O" Ring			
"O" Ring			
A/C Hose			
A/C Hose			
Receiver Drier			
Bracket-Receiver Drier			
Bracket Plate			
Rubber Bushing			
Tube			
Condenser			

# ELECTRICAL

## TR7 & TR8 STARTERS, ALTERNATORS & COMPONENTS



# ELECTRICAL

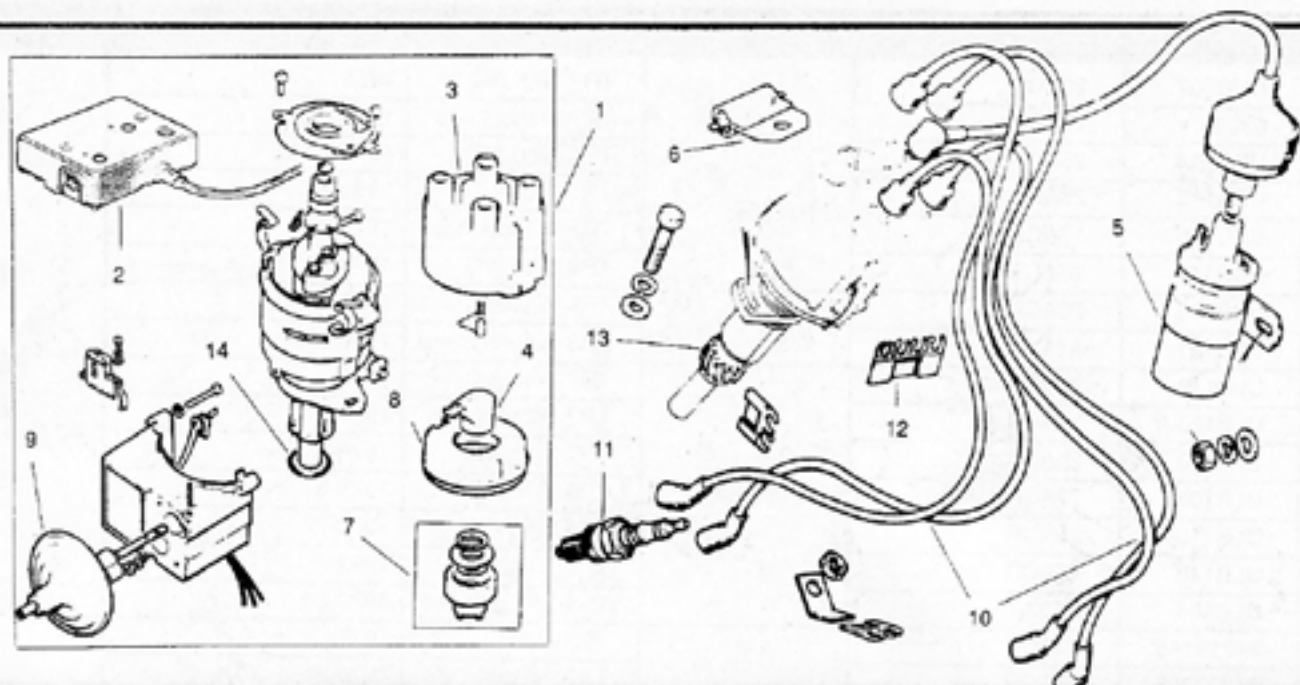
## TR7 & TR8 STARTERS, ALTERNATORS & COMPONENTS

Ill. No.	Part No.	Description	Qty. Req'd.
7	UUB107	20ACR	TR7 With A/C 1975
	83295	17ACR	TR7 Without A/C 1975-77
	UBB113	25ACR	TR7 With A/C 1976-79
	UBB113	25ACR	TR7 With A/C 1980-81
	UBB115	17ACR	TR8 Without A/C 1978-81
	UBB113	25ACR	TR8 With A/C 1978-79
	UBB113	25ACR	TR8 W/Carbs. 1980
	UBB131	A133/75	TR8 W/Fuel Inject. 1980-81
8	ULB110	20ACR	TR7 With A/C 1975
	ULB110	17ACR	TR7 Without A/C 1975-77
	ULB110	25ACR	TR7 With A/C 1976-81
	ULB105	17ACR	TR8 Without A/C 1978-81
	ULB110	25ACR	TR8 With A/C 1978-79
	ULB110	25ACR	TR8 W/Carbs. 1980
9	54216148	20ACR	TR7 1975
	54202055	17ACR	TR7 1975-81
	54216148	25ACR	TR7 1976-81
	54202055	17ACR	TR8 1977-81
	54216148	25ACR & A133/75	TR8 1980-81
10	54202785	17ACR	TR7 1975
	54202785	17ACR	TR7 1976
	157083	20ACR	TR7 1976
	54202785	25ACR	TR7 1976
	54202785	17ACR	TR7 1977-81
	54205091	25ACR	TR7 1980-81
	54202768	17ACR	TR8 1977-79
	54202785	25ACR & A133/75	TR8 19780-81
	11	UTB108	20ACR
UMB102		25ACR	TR7 With A/C 1976-81
UMB105		17ACR	TR7 Without /C 1975-81
UMB105		17ACR	TR8 Without A/C 1978-81
UMB102		25ACR & A133/75	TR8 With A/C 1978-81
12	UZB106	20ACR	TR7 With A/C 1975
	UZB106	17ACR	TR7 Without A/C 1976-81
	UZB106	25ACR	TR7 With A/C 1976-79
	UZB107	25ACR	TR7 With A/C 1980-81
	UZB109	25ACR	TR8 With A/C 1978-79
	UZB107	25ACR	TR8 Without A/C 1978-81
			TR8 W/Carbs. 1980
		TR8 W/Fuel Inject. 1980-81	

NOTE: It is advisable to disconnect your battery when changing electrical components.

# ELECTRICAL

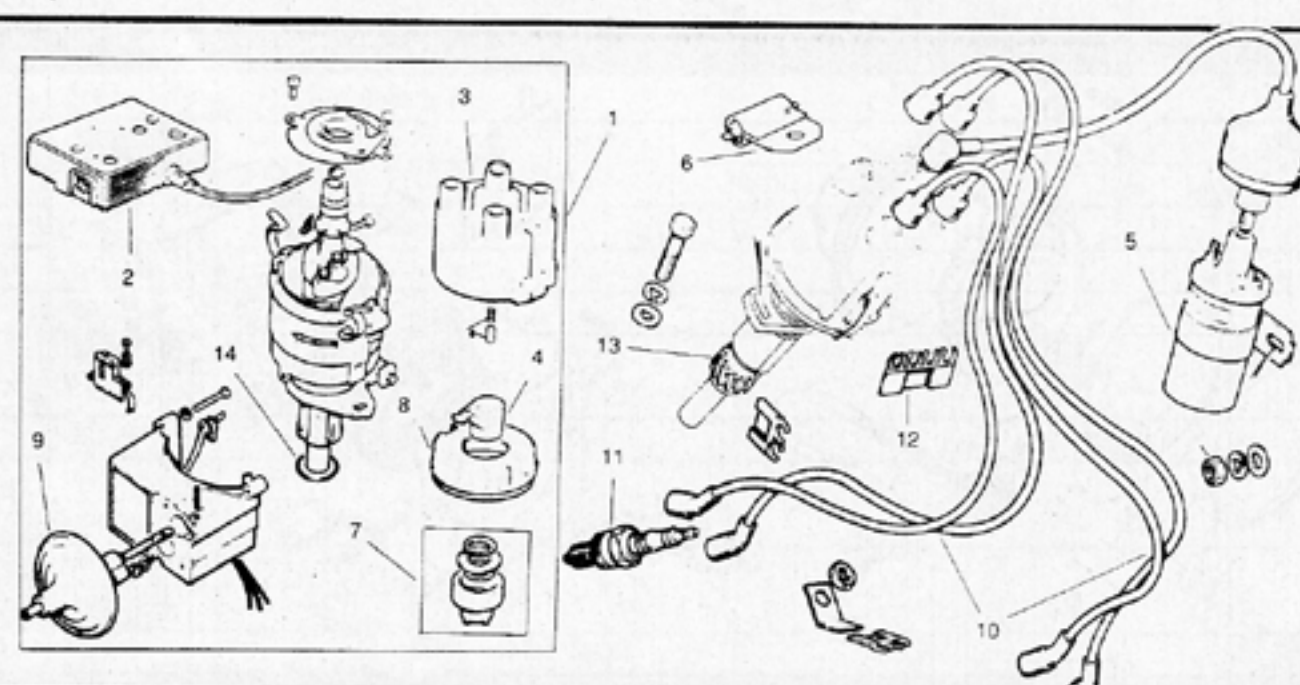
## TR7 & TR8 DISTRIBUTORS, COILS & RELATED



Ill. No.	Part No.	Description	Qty. Req'd.
1	41601*	Distributor	1
	TKC1689*		
	41812*		
	TKC1689*		
	41682		
	41794		
2	60600716*	CEI Kit-Comes W/ New Distrib. & Amplifier	1
	60600713*		
3	.....	Ignition Amplifier	1
	DAB111*		
	DAB114*		
	AEU1572*		
4	GDC136	Distributor Cap	1
	DDB700		
	DDB176		
5	DRB104	Rotor	1
	GRAN1		
	DRB195		
6	DLB102	Coil†	1
	PKC478		
	DLB193		
	DLB197		
7	UKC3908	Drive Resistor	1
	47246		
	47257		
8	54427060	Timing Rotor	1
	AAU2873		
	.....		
9	.....	Ignition Amplifier	1
	.....		
10	.....	Wire Set	1
	.....		
11	.....	Spark Plug	4
	.....		
12	.....	Wire Clip	2
	.....		
13	.....	Drive Gear	1
	.....		
14	.....	"O" Ring	1
	.....		
15	DPB104	Pick-up Module	1

# ELECTRICAL

## TR7 & TR8 DISTRIBUTORS, COILS & RELATED



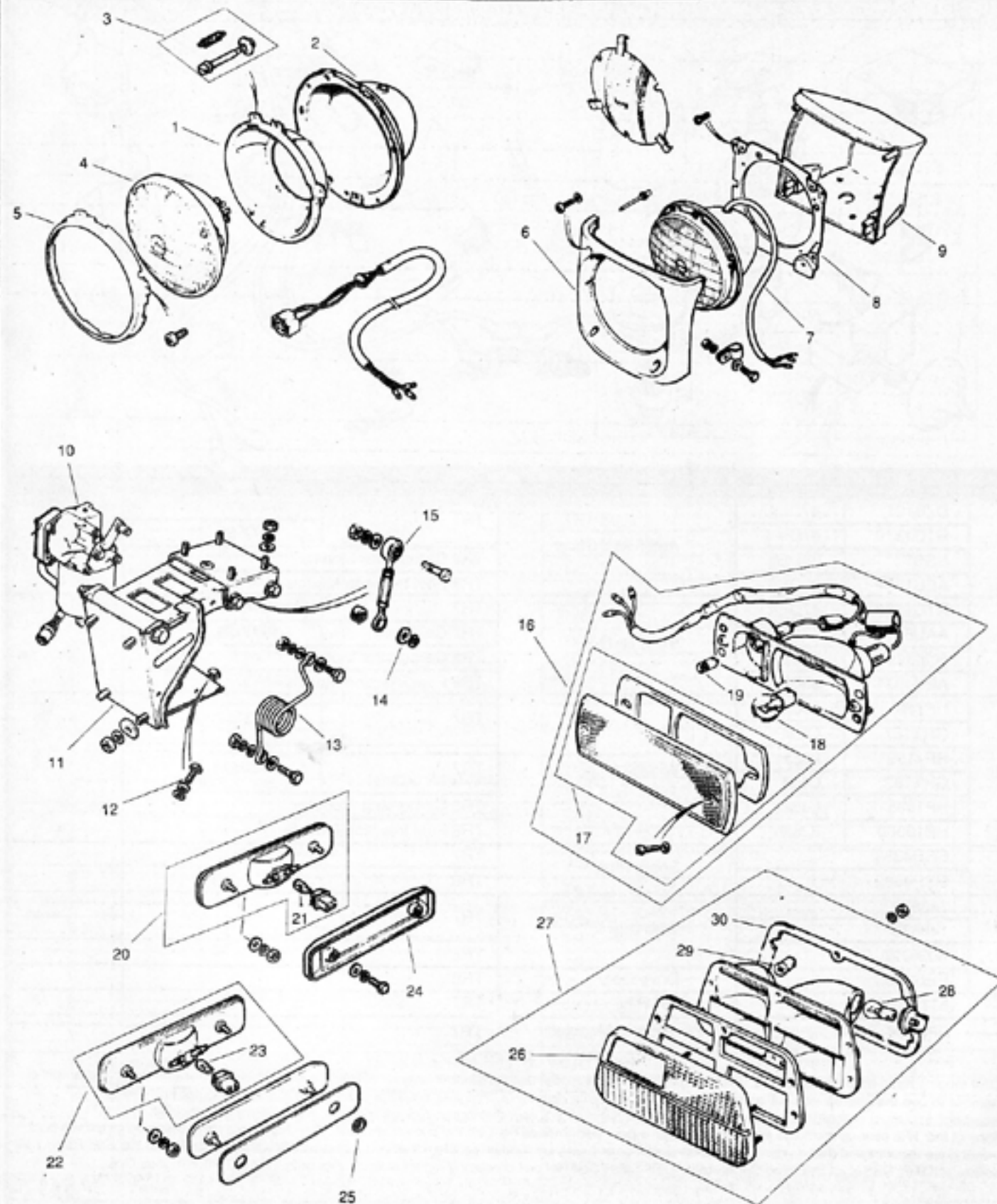
Ill. No.	Part No.	Description	Qty. Req'd.
8	DZB101	Anti-Flash Cover	1
	RTC1378		
	NSS***		
	AEU1369		
9	RTC1733	Vacuum Unit	1
	AAU6311		
	608266A		
	AEU1371		
10	HP715	Wire Set	1
	GHT167		
	HP7159		
	GHT183		
	HP1005		
	HP10060		
11	GSP4382	Spark Plug	4
	GSP4382		
12	148672	Wire Clip	2
	148673		
	603672A		
13	ERC1353	Drive Gear	1
14	517913	"O" Ring	1
15	DPB104	Pick-up Module	1

\*47DE4 models have amplifier attached. When replacing 47DE4 model use constant energy kit which has 45DM4 distributor and detached amplifier. Remember to use the appropriate coil and ballast resistor with your distributor. \*\*If your amplifier is attached to the distributor and needs replacement, you must purchase a constant energy kit which includes a new distributor, pick-up module, and a detached amplifier. \*\*\*Many of the TR8 pick-up modules and amplifiers gave poor performance right off the showroom floor. For this reason and because of today's poor availability, we recommend that if your TR8 has an amplifier or a pick-up module problem that you replace both with our Lumination Kit. See Page 134 for details. NOTE: NSS=Not Supplied Separately. DLB-Sport Coil-Hot coil producing higher output. Fits both TR7 & TR8 W/Lucas Coil.



# ELECTRICAL

## TR7 & TR8 LAMPS & COMPONENTS



# ELECTRICAL

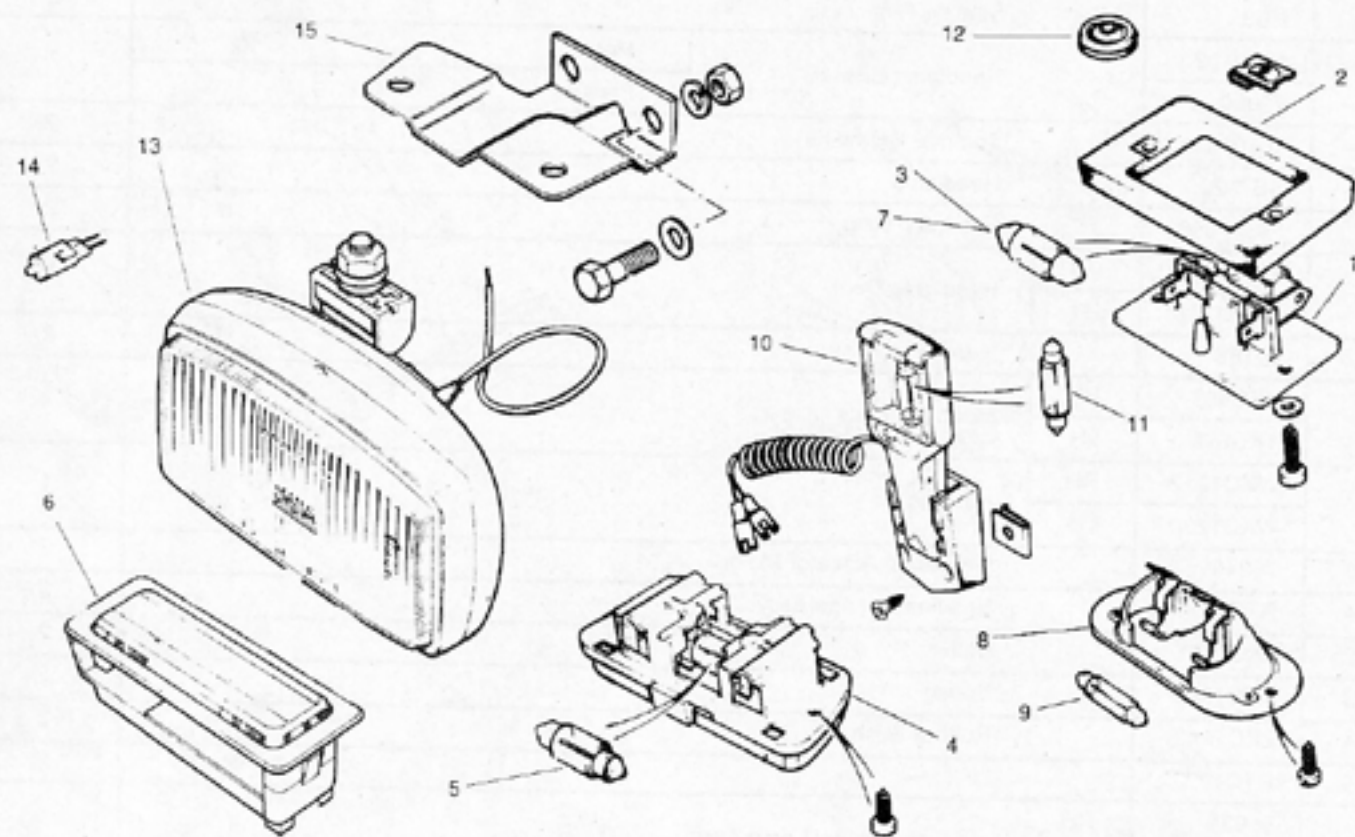
## TR7 & TR8 LAMPS & COMPONENTS

Ill. No.	Part No.	Description	Qty. Req'd.
1	HB3	Seating Rim	2
2	1010102	Headlamp Bucket	Metal
	28000		Plastic
3	1010106	Trimmer Screw Kit	2
4	SB7029	Headlamp	2
5	54521913	Retaining Ring	2
6	WKC1201	Headlamp Door	RH
	WCK1200		LH
7	61166	Headlamp Assy.	2
8	YKC683	Mounting Plate	RH
	YKC682		LH
9	WKC1232	Housing	RH
	WKC1230		LH
10	75945	Headlamp Actuator Motor	2
11	RTC1411	Headlamp Hinge Assy.	2
12	ZKC1161	Buffer	2
13	YKC1347	Spring	2
14	ZKC1143	Rubber Bush	2
15	RTC1992	Link	2
16	56931	Front Directional Lamp Assy.	RH
	56932		LH
17	54586082	Front Directional Lens	RH
	54586081		LH
18	382	Bulb-Flasher	2
19	233	Bulb-Side	2
20	56798	Lamp-Front Side Marker	2
21	504	Bulb-Front Marker Lamp	2
22	UKC519	Lamp-Rear Side Marker Assy.	2
23	504	Bulb-Rear Marker Lamp	2
24	ZKC1472	Mounting Plate for Marker Lamp	2
25	ZKC2539	Spire Nut	4
26	RTC1383	Lens-Stop, Tail, Flasher, Reverse	RH
	RTC1384		LH
27	56651	Lamp-Stop, Tail, Flasher, Reverse Assy.	RH
	56652		LH
28	382	Bulb-Stop, Flasher & Reversing	6
29	207	Bulb-Tail Light	2
30	UKC493	Gasket-Tail Lamp Base	2

*If No Year Or Model Is Mentioned, Part Number Fits Both TR7 & TR8.*

# ELECTRICAL

## TR7 & TR8 1975-81 LAMPS & COMPONENTS

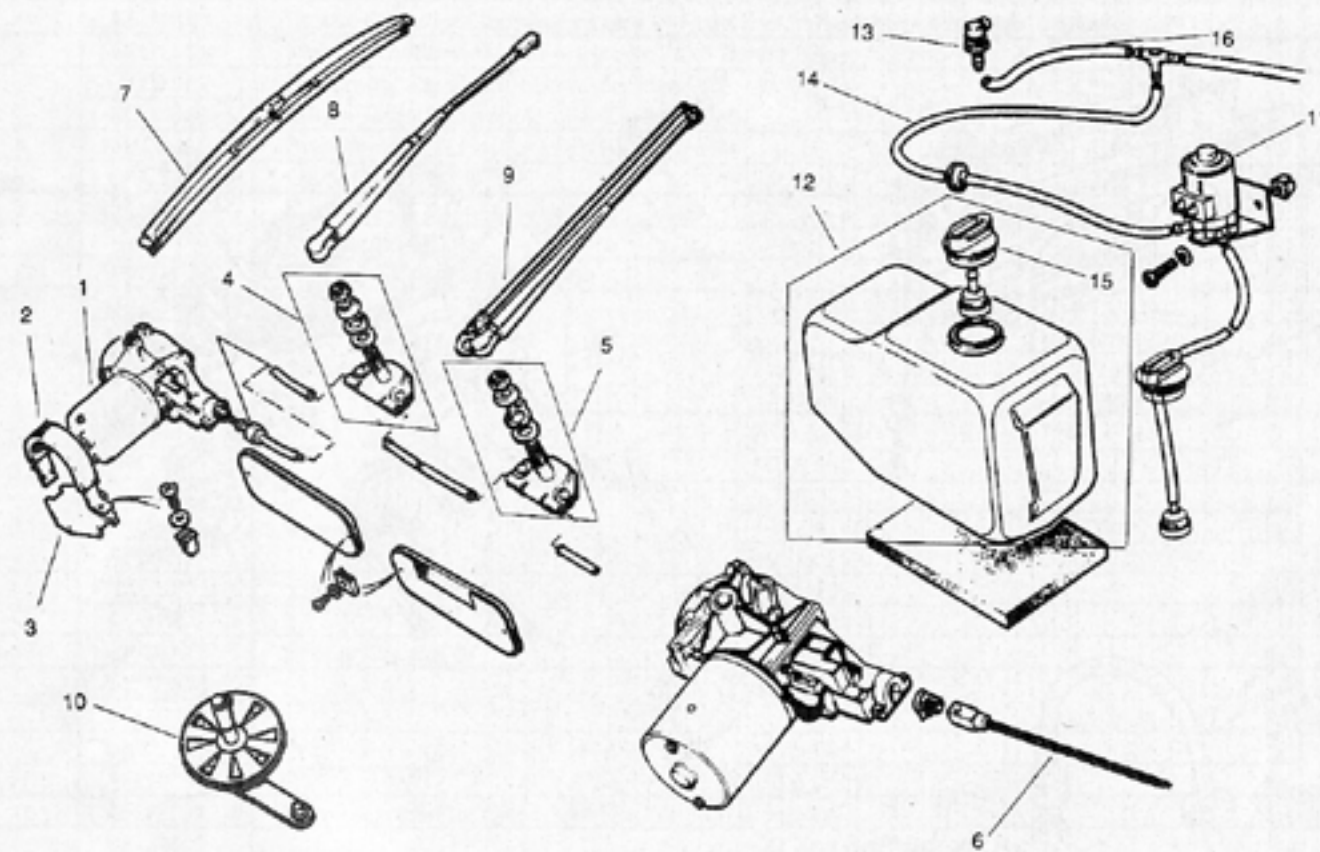


Ill. No.	Part No.	Description	Qty. Req'd.
1	LPB810	Number Plate Lamp	2
2	632002	Gasket for Number Plate Lamp	2
3	239	Bulb	2
4	ADU1843	Interior Lamp On Door	1
5	GLB272	Bulb-Interior Lamp	1
6	TKC5051	Interior Lamp	1
7	239	Bulb-Interior Lamp	1
8	151353	Trunk Lamp	1
9	256	Bulb-Trunk Lamp	1
10	UKC8336	Map Lamp (Optional)	1
11	239	Bulb-Map Light	1
12	61917	Grommet	2
13	TKC3745	Front Fog Lamp	2
14	453	Bulb	2
15	YKC855	RH	1
	YKC854	LH	

If No Year Or Model Is Mentioned, Part Number Fits Both TR7 & TR8.

# ELECTRICAL

## TR7 & TR8 1975-81 WINDSHIELD WIPERS & COMPONENTS

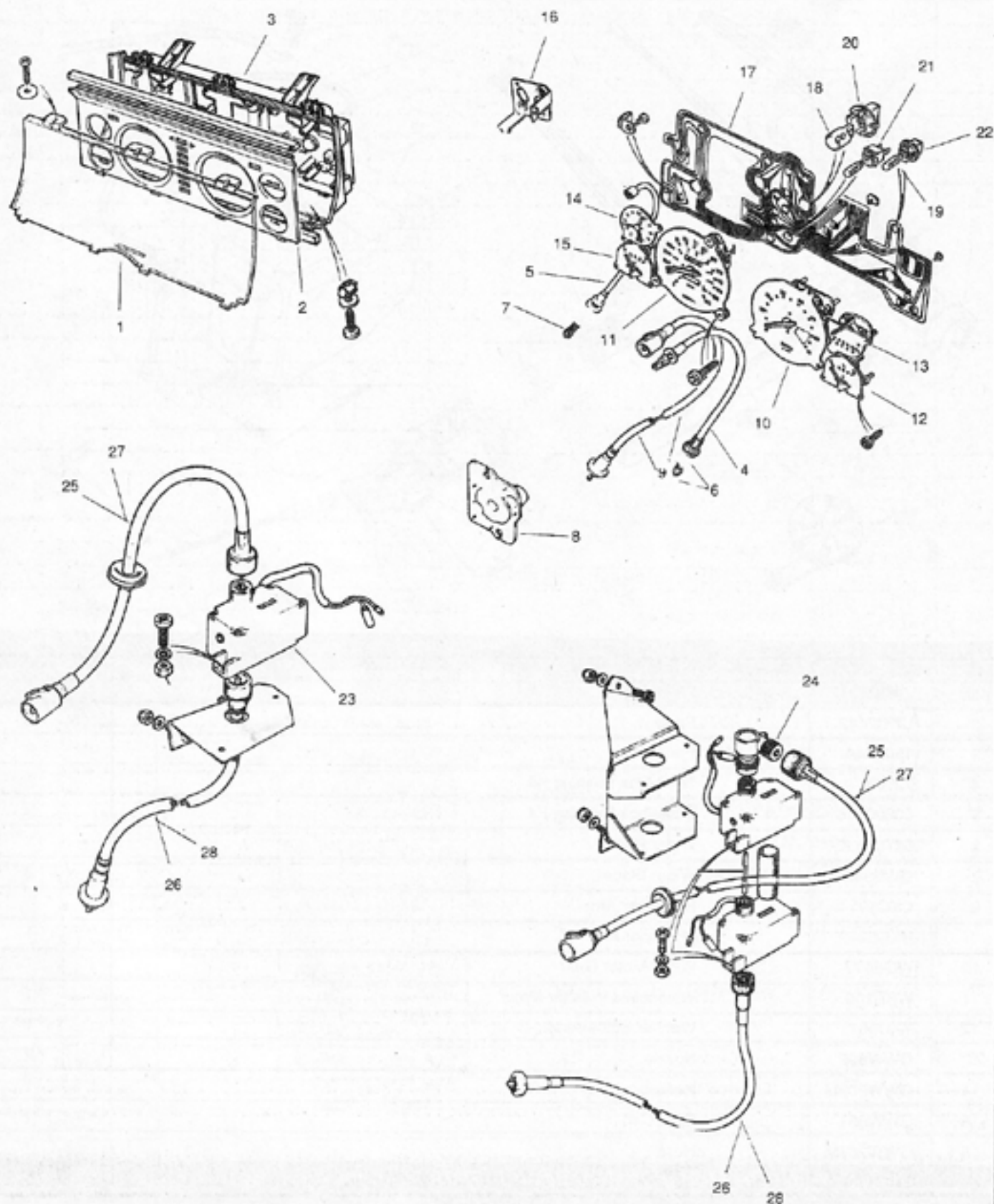


Ill. No.	Part No.	Description	Qty. Req'd.
1	75721	Wiper Motor	1
2	UKC2442	Strap	1
3	150844A	Pad	1
4	72933	Wheelbox Bushing Kit	1
5	60600565	Wheelbox Bushing Kit	1
6	54701530	Wiper Rack	1
7	GWB346	Wiper Blade	2
8	UKC5914	RH Wiper Arm	1
9	UKC5912	LH Wiper Arm	1
10	WGB177	Wiper Motor Gear	1
11	WSB100	Windshield Washer Motor	1
12	YKC961	Washer Bottle Assy.	1
13	GWW802	Nozzle	2
14	GWW202M	Hose	1
15	GWW951	Filler Cap	1
16	GWW201M	Hose	1

If No Year Or Model Is Mentioned, Part Number Fits Both TR7 & TR8.

# ELECTRICAL

## TR7 & TR8 INSTRUMENT PANEL, SPEEDOMETER, CABLES & COMPONENTS



# ELECTRICAL

## TR7 & TR8 INSTRUMENT PANEL, SPEEDOMETER, CABLES & COMPONENTS

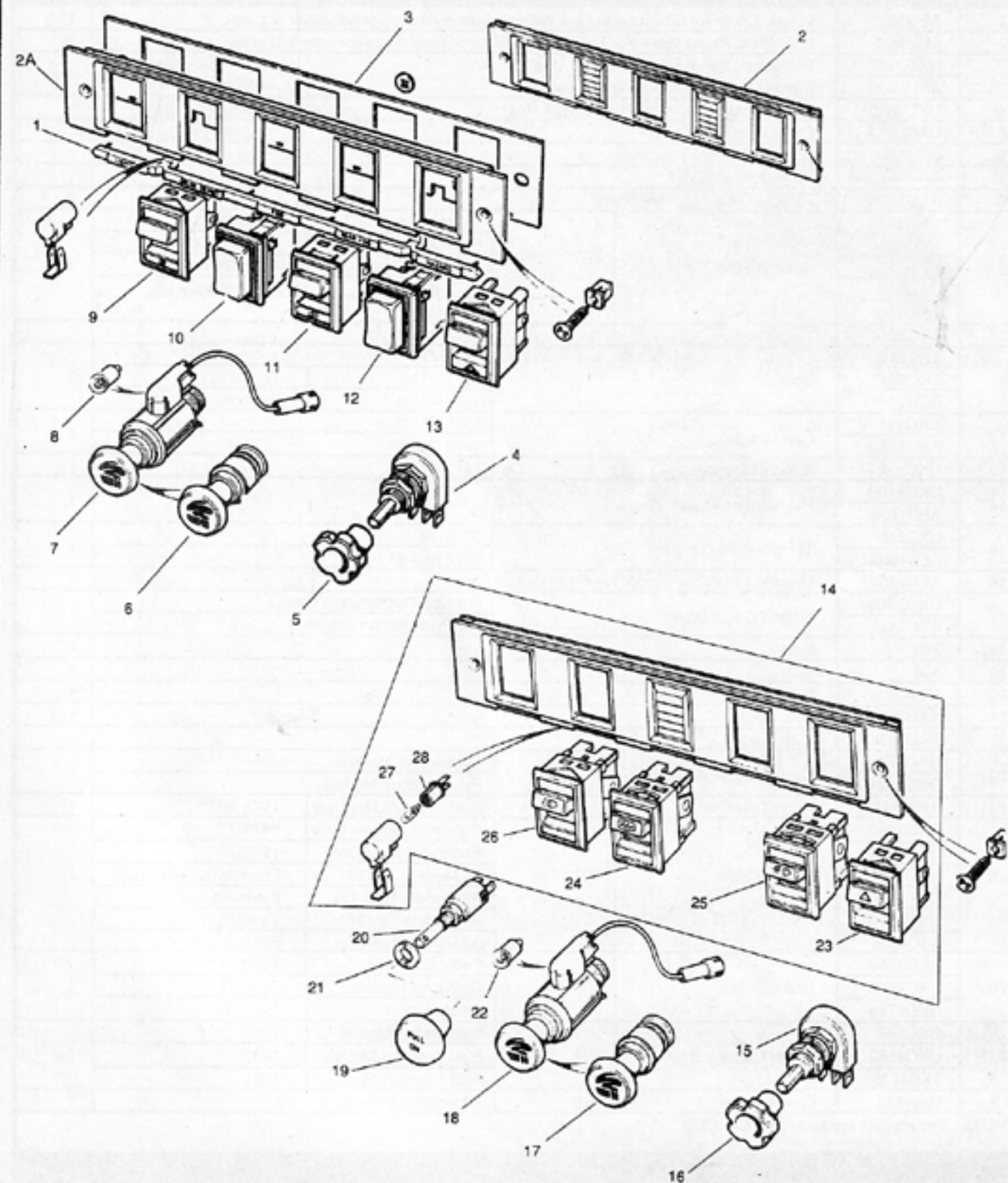
Ill. No.	Part No.	Description	Qty. Req'd.		
1	AEU1810	Plastic Cover for Gauges-For Use W/Push Button Reset Speedometer & Clock	1		
2	AEU1661	Instrument Panel Mask-For Use W/Push Button Reset Speedometer & Clock	1		
3	UKC3822	Instrument Panel Back Case-For Use W/Push	1		
	AEU1809	Button Reset Speedometer & Clock	1		
4	UKC2410	Speedometer Reset for Push Button Reset	1975 thru 81		
5	UKC2413	Clock Reset Cable	1		
6	AEU1808	Push Button Speedometer	1		
7		Push Button Clock	1		
8	AEU1196	Flexible Drive Mounting Plate	1		
9	UKC3563	Speedometer Cable	California 1975-77	To ACW7001	1
	UKC4650		Federal 1975-77	To ACW7001	
	GSD287		Federal & California	ACW7001-402027	
	GSD388		1977 thru 81	From 402027 On	
	GSD333		TR8	All Models	
10	TKC2510	Tachometer	1975 thru 81	1	
11	TKC240	Speedometer	1975-77	1	
	TKC5046		1977-811/2		To 402027
	AEU1631		19811/2 On		From 402027 On
12	UKC511	Fuel Gauge	1975-78	1	
	AEU1632		1978 thru 81		
13	UKC512	Battery Gauge	1975 thru 81	1	
14	UKC2408	Push Button Reset Clocks		1	
	AEU1635				
15	UKC510	Temperature Gauge	1975-78	1	
	AEU1633		1978 thru 81		
16	AEU1194	Mounting Plate for Clock-Non-Push Button Clocks		1	
17	UKC2409	Printed Circuit Board	For Non-Push Button Clocks	1	
	AEU1811		For Push Button Clocks		
18	286	Bulb		4	
19	504	Bulb		1	
20	13H4949	Bulb Holder		4	
21	AAU3615	Bulb Holder		1	
22	AAU3616A	Bulb Holder		1	
23	UKC4260	Service Interval Counter	Federal	Carburettor Models	1
	DRC2338		To 1977	Fuel Injection Models	
24	120694Z	Angle Drive	California Models Only	1975-77	1
			California Models Only	1975-77	
25	UKC3453	Upper Cable	Federal Models Only	1975-77	1
	UKC4650		All Models To 1981	From ACW7001-402027	
	GSD333		All Models 1981 On	From 402028 On	
	GSD288		All Models To 1981	To 402027	
	UKC4652		All Models 1981 On	From 402027 On	
26	TKC6536	Lower Cable	Federal Models	To 1977	1
	UKC4656		California Models	To 1977	
	UKC4869		All Models	1977 On	
27	UKC7784	Upper Cable	Carburettor Models	1980	1
	GSD388		Fuel Injection Models	1980	
	UKC4652		Fuel Injection Models	1981	
28	TKC6536	Lower Cable	TR8	All Models & Years	1

NOTE: Federal-All states except California.

If No Year Or Model Is Mentioned, Part Number Fits Both TR7 & TR8

**ELECTRICAL**

**TR7  
FACIA SWITCHES**



**ELECTRICAL**

**TR7  
FACIA SWITCHES**

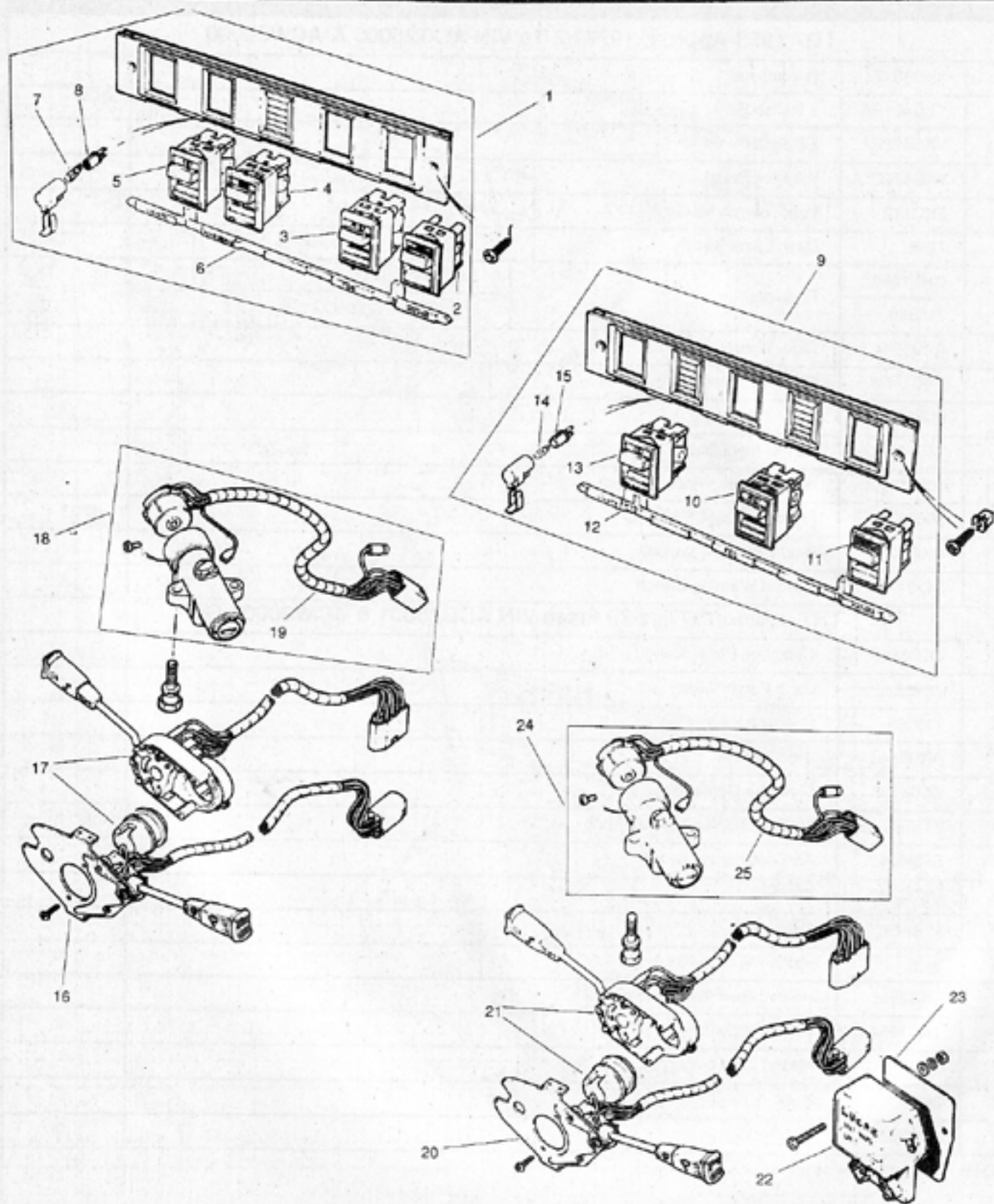
Ill. No.	Part No.	Description	Qty. Req'd.
<b>TR7 1975-Approx. 1977 1/2 To VIN ACG25000 &amp; ACW30000</b>			
1	XKC3037	Escutcheon	1
--	YKC421PA	2 Switch Panel	1
2	YKC422PA	3 Switch Panel	1
2A	YKC4242PA	5 Switch Panel	1
3	ZKC112	Panel Switch Mount	1
4	78561	Dash Lamp Switch	1
5	GHF1056	Rheostat Knob	To Trim# T2860CG
	715389		From Trim# T2861CG On
6	AAU5944	Cigar Lighter Assy.	1
7	ZKC1152	Cigarette Lighter	1
8	LLB643	Bulb	1
9	34554	Master Light Switch	1
10	30601	Heated Back Window Switch	1
11	30602	Front Fog Light Switch	1
12	UKC501	Rear Fog Light Switch	1
13	34221	Hazard Warning Switch	1
<b>TR7 (Approx.)1977 1/2-79 From VIN ACG25001 &amp; ACW30001 On</b>			
14	TKC3858	Complete Panel Assy.	1
15	78561	Dash Panel Switch	1
16	715389	Rheostat Knob	1
17	AAU5944	Cigar Lighter	1
18	ZKC1152	Cigarette Lighter Assy.	1
19	715390	Air Conditioning Cut-Out Knob	1
20	SPB104	Air Conditioning Switch	1
21	UKC7147	Washer	1
22	LLB643	Bulb	1
23	34221	Hazard Warning Switch	1
24	TKC3965	Heated Rear Window Switch	1
25	TKC3964	Fog Light Switch	1
26	34554	Master Light Switch	1
27	286	Bulb	2
28	13H8690	Bulb Holder	2

NOTE: The suffix "PA" is the color code for black.

*If No Year Or Model Is Listed, Part Number Fits All Models Listed At The Beginning Of The Category.*

# ELECTRICAL

## TR7 & TR8 FACIA & STEERING COLUMN SWITCHES



# ELECTRICAL

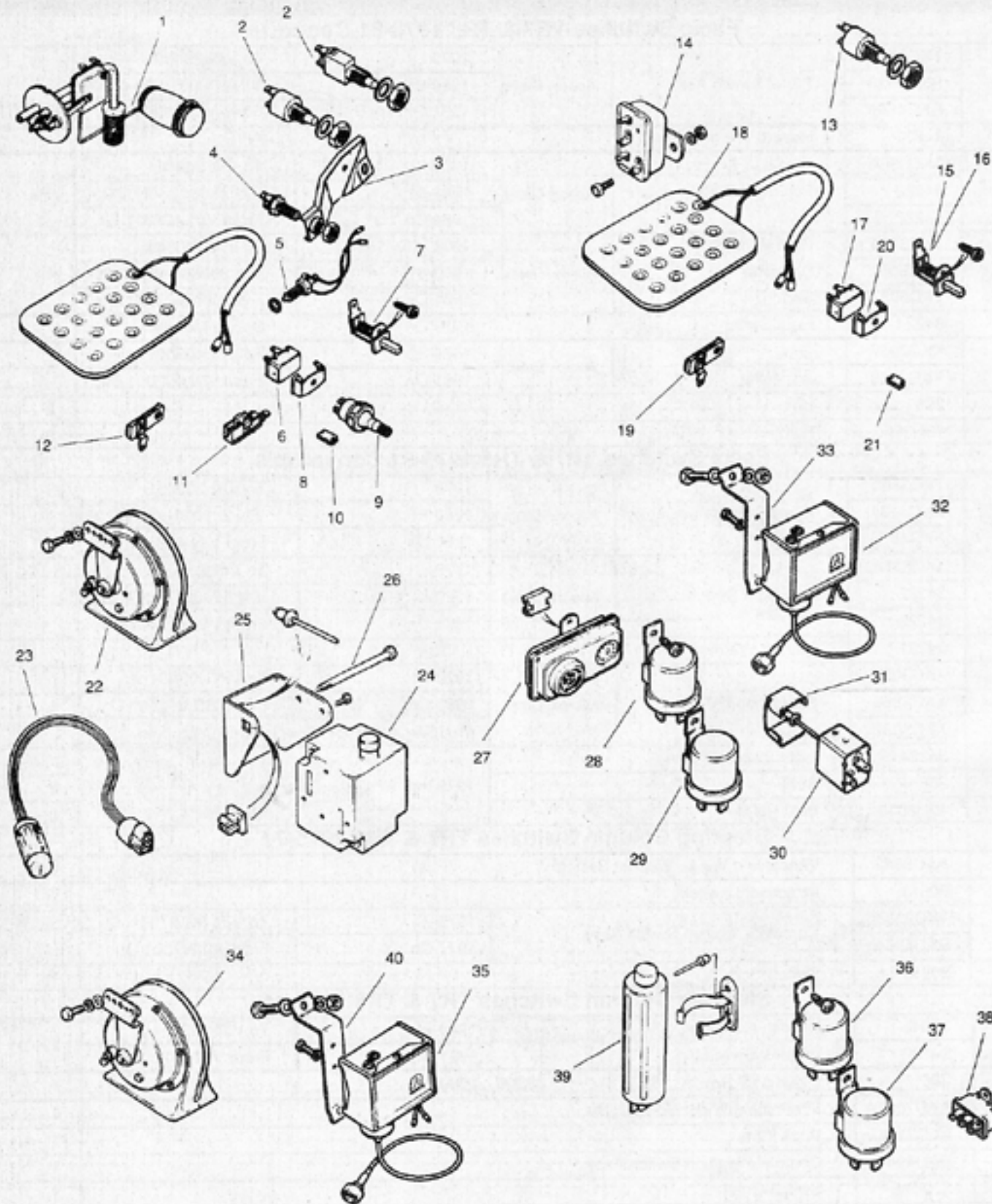
## TR7 & TR8 FACIA & STEERING COLUMN SWITCHES

Ill. No.	Part No.	Description	Approx. Dates		Qty. Req'd.	
<b>Facia Switches TR7 &amp; TR8 1979-81 Coupe</b>						
1	TKC3858	Panel Switch Assy	Approx. Dates	1979	To VIN 200001	1
	RKC4133			1980-81	VIN 200001-VIN 402001	
	RKC4669			1981 On	From VIN 402001 On	
2	34221	Hazard Warning Switch			1	
3	TKC3964	Fog Light Switch	Approx. Dates	1979	To VIN 200001	1
	34222			1980-81	VIN 200001-VIN 402001	
	34222			1981 On	From VIN 402001 On	
4	TKC3965	Rear Window Defroster Switch	Approx. Dates	1979	To VIN 200001	1
	TKC5054			1980-81	VIN 200001-VIN 402001	
	TKC5087			1981 On	From VIN 402001 On	
5	34224	Light Switch		1979 On	Coupe Models	1
6	XKC3037	Escutcheon	Approx. Dates	1979-81	To VIN 402001	1
	XKC3869			1981 On	From VIN 402001 On	
7	286	Bulb				2
8	13H3690	Bulb Holder				2
<b>Facia Switches TR7 &amp; TR8 1979-81 Convertible</b>						
9	TKC3860	Panel Switch Assy.	Approx. Dates	1979	To VIN 200001	1
	RKC4134			1980-81	VIN 200001-VIN 402001	
	RKC4670			1981 On	From VIN 402001 On	
10	TKC3964	Fog Light Switch	Approx. Dates	1979	To VIN 200001	1
	34222			1980-81	VIN 200001-VIN 402001	
	34222			1981 On	From VIN 402001 On	
11	34221	Hazard Warning Switch				1
12	XKC3037	Escutcheon	Approx. Dates	1979-81	To VIN 402001	1
	XKC3869			1981 On	From VIN 402001 On	
	XKC3037			All USA Convertible Special Edition Models		
13	34224	Light Switch				1
14	286	Bulb		1979 thru 81		2
15	13H8690	Bulb Holder				2
<b>Steering Column Switches TR7 &amp; TR8 1975-79</b>						
16	AAU8842	Windshield Wiper, Washer Switch				1
17	30611	Directional Switch				1
18	TKC2308	Complete Ignition Switch Assy.	Approx. Dates	1975-77	To VIN ACW7001	1
	BAU4944			1977 On	From ACW7001 On	
19	30981	Switch Only				1
<b>Steering Column Switches TR7 &amp; TR8 1977-81</b>						
20	33945	Windshield Wiper, Washer Switch	Approx. Dates	1979-81	To VIN 402001	1
	34192			1981 On	From VIN 402001 On	
21	30611	Directional Switch	1975-79	33900	1980-81	1
22	AAU7087A	Intermittent Wiper Control Unit				1
23	ULC3105	Back Plate				1
24	BAU4944	Complete Ignition Switch Assy.				1
25	30981	Switch Only				1

If No Year Or Model Is Listed, Part Number Fits All Models Listed At The Beginning Of The Category.

# ELECTRICAL

## TR7 & TR8 HORNS & MISCELLANEOUS COMPONENTS



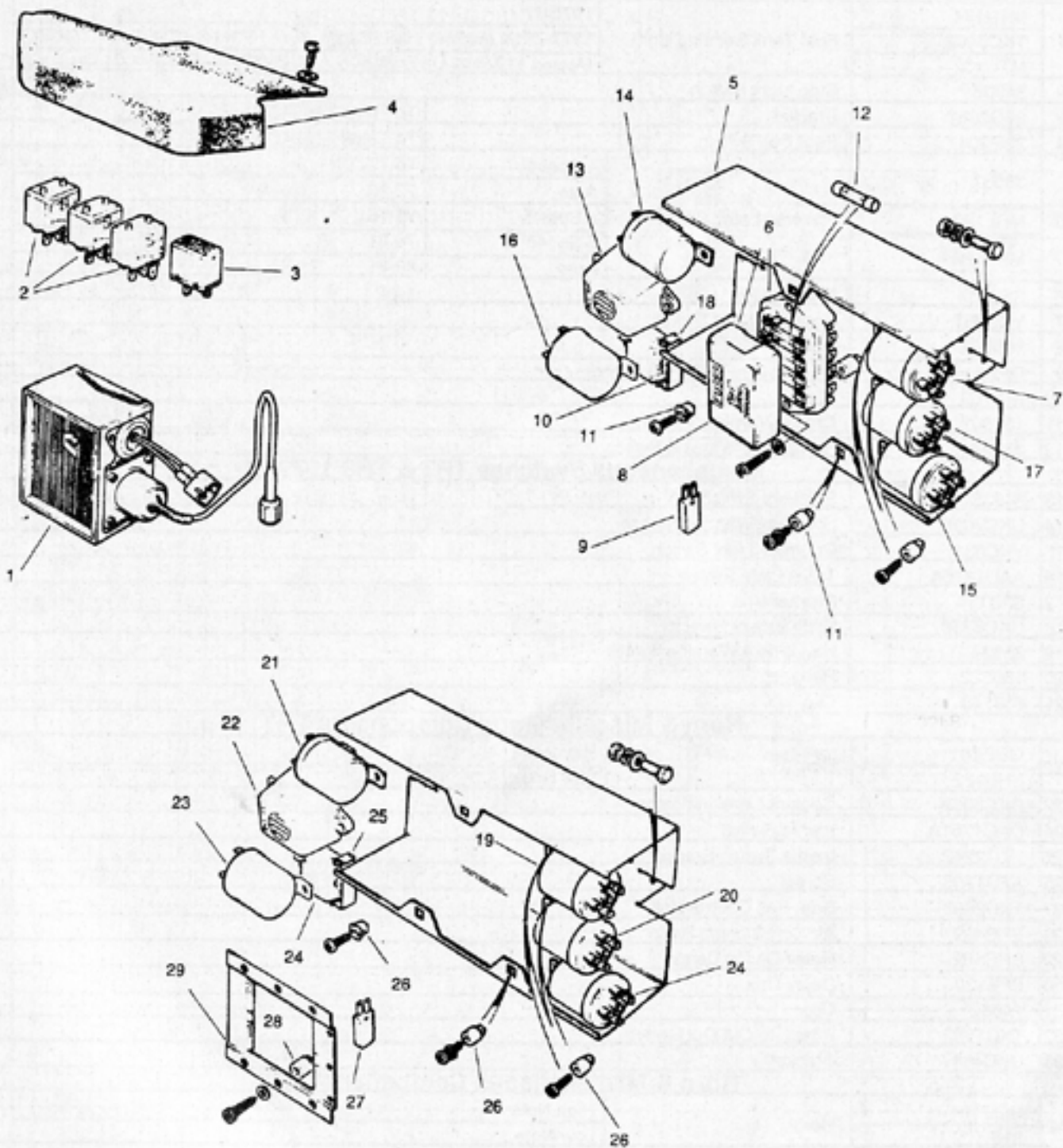
# ELECTRICAL

## TR7 & TR8 HORNS & MISCELLANEOUS COMPONENTS

Ill. No.	Part No.	Description	Qty. Req'd.	
<b>Miscellaneous Switches TR7 &amp; TR8 1975-79</b>				
1	MTU134	Fuel Tank Sending Unit	1975-77	
	TKC3408		1977-78 1/2 (Approx.) VIN ACG1 & ACW-1-VIN ACG25001 & ACW300001	
	MTU132		(Approx. 1978 1/2 On From VIN ACG25001 & ACW300001 On	
2	34933	Stop Light Switch	1	
3	22G2052	Bracket	To Trim# T1694CG	
4	22G2047	Seat Belt Switch	To Trim# T1694CG	
5	36557	Reverse Lamp Switch	4 Speed	75-77
			Auto	77-79
			4 Speed	77-78
			5 Speed	78-81
5	MRL129	Reverse Lamp Switch	Auto	80-81
			MRL128	
6	SFB114	Flasher Unit	1	
7	YKC931	Courtesy Light Switch	1	
8	160222	Retainer	1	
9	GPS113	Oil Pressure Switch (3 Prong)	1	
10	613169	Clip	1	
11	137607	Choke Warning Switch	1	
12	35624	Handbrake Warning Switch	1	
<b>Miscellaneous Switches TR7 &amp; TR8 1979-81</b>				
13	34933	Stoplight Switch	1	
14	UKC7096	Low Fuel Warning Switch	1	
15	YKC931	Courtesy Light Switch	1	
16	AAU1876A	Trunk Light Switch	1	
17	SFB114	Flasher Unit	1	
18	UKC6338	Seat Sensor Switch	1	
19	35624	Handbrake Warning Switch	1	
20	160222	Retainer	1	
21	613169	Clip	1	
<b>Horn &amp; Miscellaneous Components TR7</b>				
22	GGE101	Horn	High Note	
			Low Note	
	SHB122		1	
23	RKC5259	Coolant Level Indicator	1	
24	DAC1761A	Inertia Switch	1	
25	UJC2242	Inertia Switch Bracket	1	
26	AFU1155	Screw	1	
27	TKC2693	Seat Belt Control Unit	1	
28	SRB402	Air Conditioning Relay	1	
29	SRB402	Relay-Clutch Delay	1	
30	SFB130	Delay Unit	1	
31	148621	Clip	1	
32	TKC1669	Pressure Cut Out Switch	1	
33	UKC4417	Bracket	1	
<b>Horn &amp; Miscellaneous Components TR8</b>				
34	GGE101	Horn	High Note	
			Low Note	
	SHB122		1	
35	TKC3842	Pressure Cut Out Switch	1	
36	DRC1820A	A/C Relay	1	
37	SRB411	Horn Relay	1	
38	DAC3374A	Thermal Limiter	1	
39	C41220A	Inertia Switch	1	
40	UKC8761	Bracket	1	

# ELECTRICAL

## TR7 & TR8 RELAYS



# ELECTRICAL

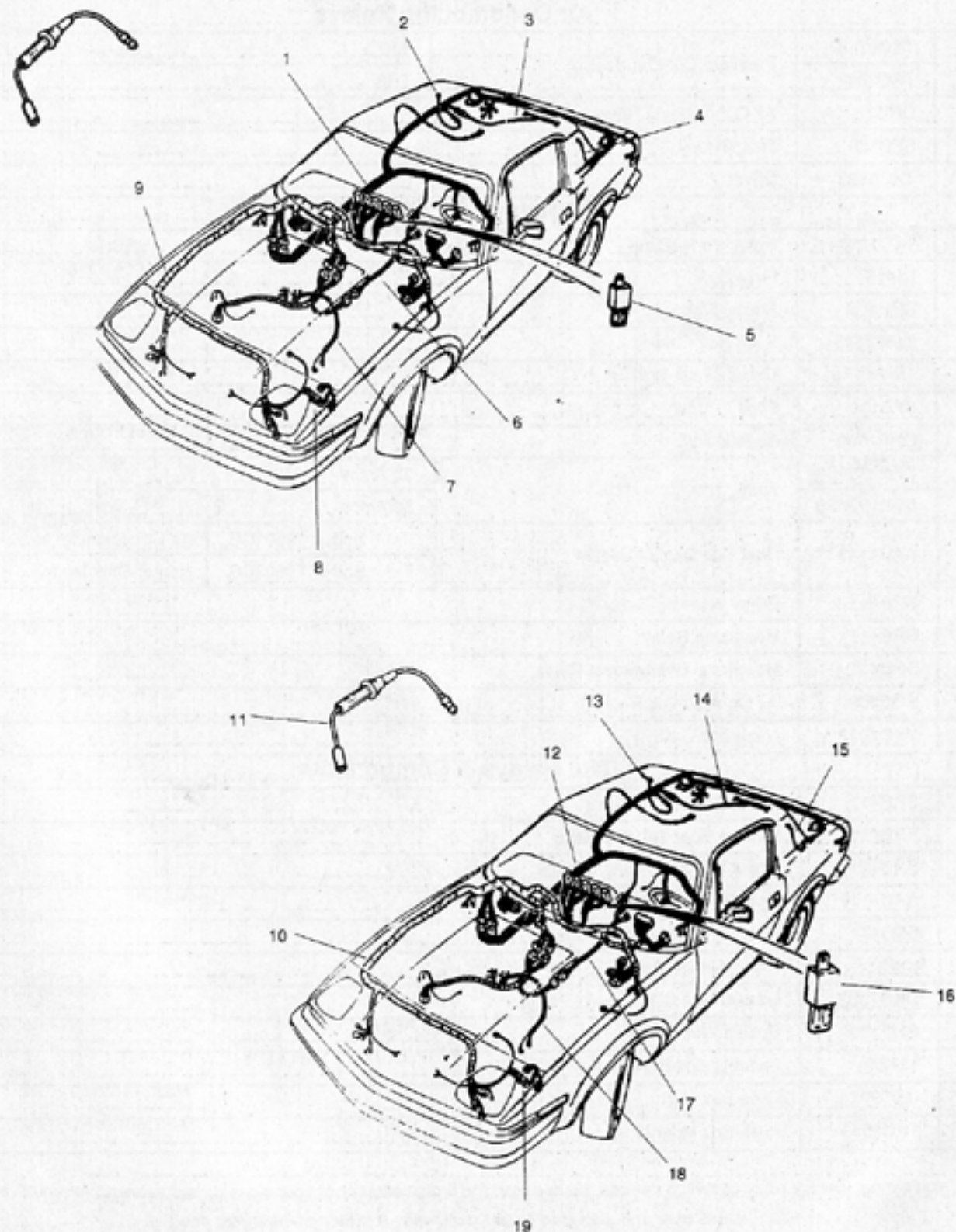
## TR7 & TR8 RELAYS

Ill. No.	Part No.	Description	Qty. Req'd.
<b>Air Conditioning Relays</b>			
1	TKC3744	Pressure Cut-Out Switch	TR7
	TKC3842		TR8
2	DRC1820A	Air Conditioning Relay	1
3	SFB130	Flasher Unit	1
4	TKC5993	Cover	1
<b>TR7 Relays &amp; Components</b>			
5	TKC1035	Relay Panel Plate	1
6	37416	Fuse Box	1
7	SRB400	Starter Relay	1
8	54382845	Fuse Box Cover	1
9	151244	Lamp Circuit Breaker	1
10	SFB130	Flasher Unit	1
11	GHF1000	Special Nut	1
12	CFB135A50	Fuse	35 Amps.
	CFB150A50		50 Amps.
13	AAU1110	Seat Belt Control Buzzer	From Body# T9601CG Air Conditioning Models
			From Body# T9603CG Heater Only Models
14	SRB411	Brake Warning Relay	1
15	SRB411	Headlamp Relay	1
16	SRB411	Headlamp Changeover Relay	1
17	SRB400	Air Conditioning Relay	1
18	YKC1932	Hazard Unit Kit	1
<b>TR8 Relays &amp; Components</b>			
19	SRB411	Starter Relay	1
20	SRB411	Heated Rear Window Relay	1
21	SRB411	Brake Warning Relay	1
22	AAU1110	Seat Belt Control Buzzer	1
23	SRB411	Headlamp Changeover Relay	1
24	SRB411	Relay-Flasher Unit	1
25	UKC1932	Hazard Unit Clip	1
26	GHF1000	Special Nut	1
27	151244	Lamp Circuit Breaker	1
28	UKC3014	Fuse Box Nut	2
29	TKC3343	Fuse Box Mount Plate	1

If you cannot identify relay or switch needed, please read the 5 digit number of your old unit; our sales representatives can cross over and also identify all Lucas relay & switch numbers for you.  
It is advisable to disconnect your battery when changing electrical components.

# ELECTRICAL

## TR7 & TR8 WIRING HARNESSSES



# ELECTRICAL

## TR7 & TR8 WIRING HARNESSSES

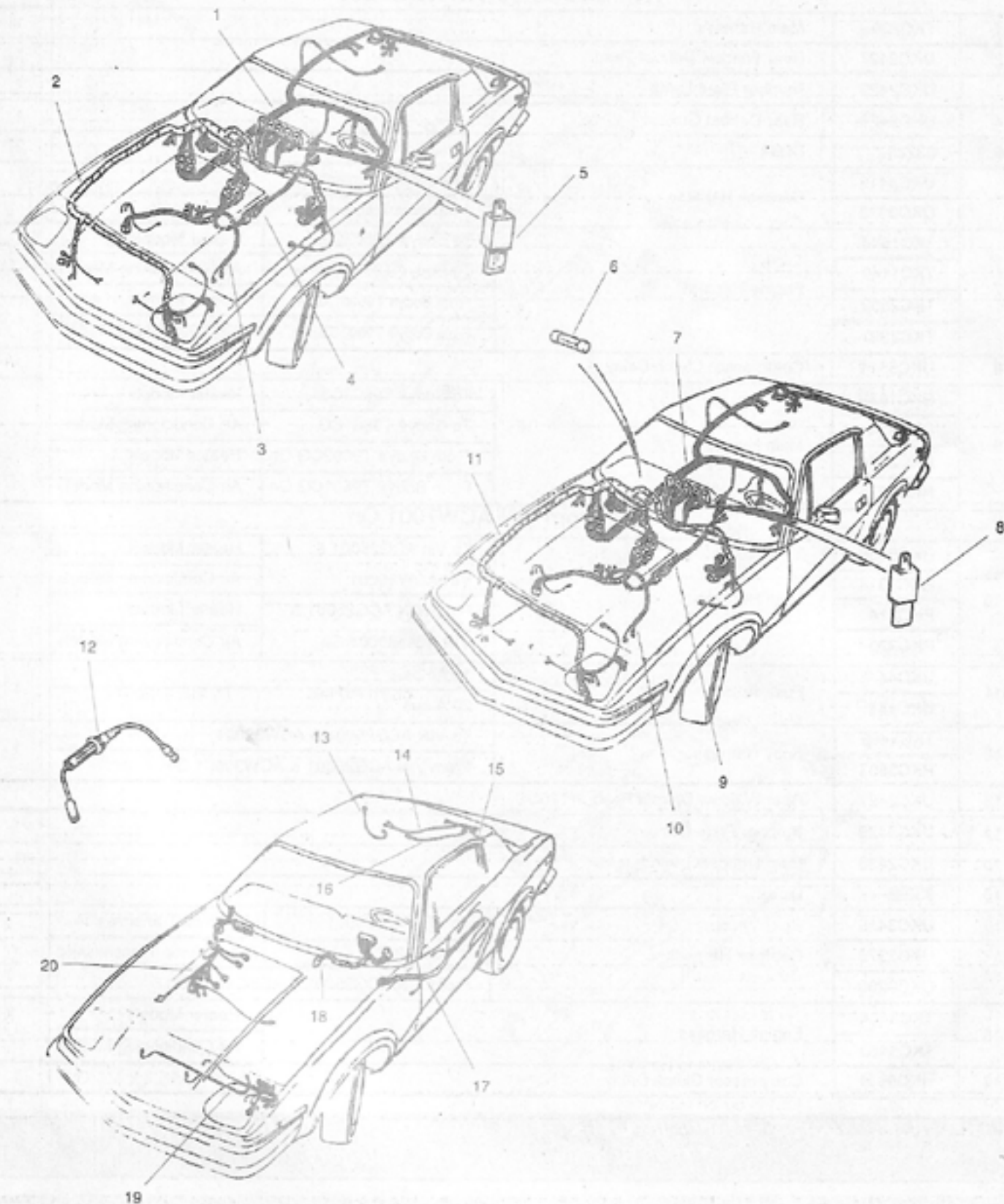
Ill. No.	Part No.	Description	Qty. Req'd.
<b>TR7 1975-76 To VIN ACW7001</b>			
1	TKC239	Main Harness	1
2	UKC2427	Rear Window Defrost Feed	1
3	UKC2429	Number Plate Lamp	1
4	UKC2428	Rear Defrost Ground	1
5	83225	Diode	2
6	UKC3415	Gearbox Harness	Manual Transmission
	UKC3378		Automatic Transmission
7	TKC1644	To Body# T9603CG	Heater Models
	TKC1149	To Body# T9601CG	Air Conditioning Models
	TKC2892	From Body# T9603CG On	Heater Models
	TKC2891	From Body# T9601CG On	Air Conditioning Models
8	UKC5511	Compressor Clutch Delay	1
9	RKC1688	To Body# T9603CG	Heater Models
	RKC834	To Body# T9601CG	Air Conditioning Models
	RKC2874	From Body# T9603CG On	Heater Models
	RKC2875	From Body# T9601CG On	Air Conditioning Models
<b>TR7 From VIN ACW7001 On</b>			
10	RKC3038	Main Harness	To Vin ACG25001 & VIN ACW30001
	RKC3314		Heater Models
	PKC314		Air Conditioning Models
	PKC320		From VIN ACG25001 & VIN ACW30001 On
11	UKC4446	Fuse Holder	15 Amps.
	UKC4447		20 Amps.
12	TKC3465	Body Harness	To VIN ACG25001 & ACW30001
	RKC3631		From VIN ACG25001 & ACW30001 On
13	UKC2427	Rear Window Defrost Feed	1
14	UKC2429	Number Plate Lamp	1
15	UKC2428	Rear Defrost Ground	1
16	83225	Diode	1
17	UKC3415	Gearbox Harness	To VIN ACG25001 & ACW30001
	UKC3378		Manual Transmission
	UKC9200		Automatic Transmission
18	TKC3464	Engine Harness	Heater Models
	TKC3463		Air Conditioning Models
19	UKC5511	Compressor Clutch Delay	1

*If No Year Or Model Is Listed, Part Number Fits All Models Listed At The Beginning Of The Category.*



# ELECTRICAL

## TR7 & TR8 WIRING HARNESSSES



# ELECTRICAL

## TR7 & TR8 WIRING HARNESSSES

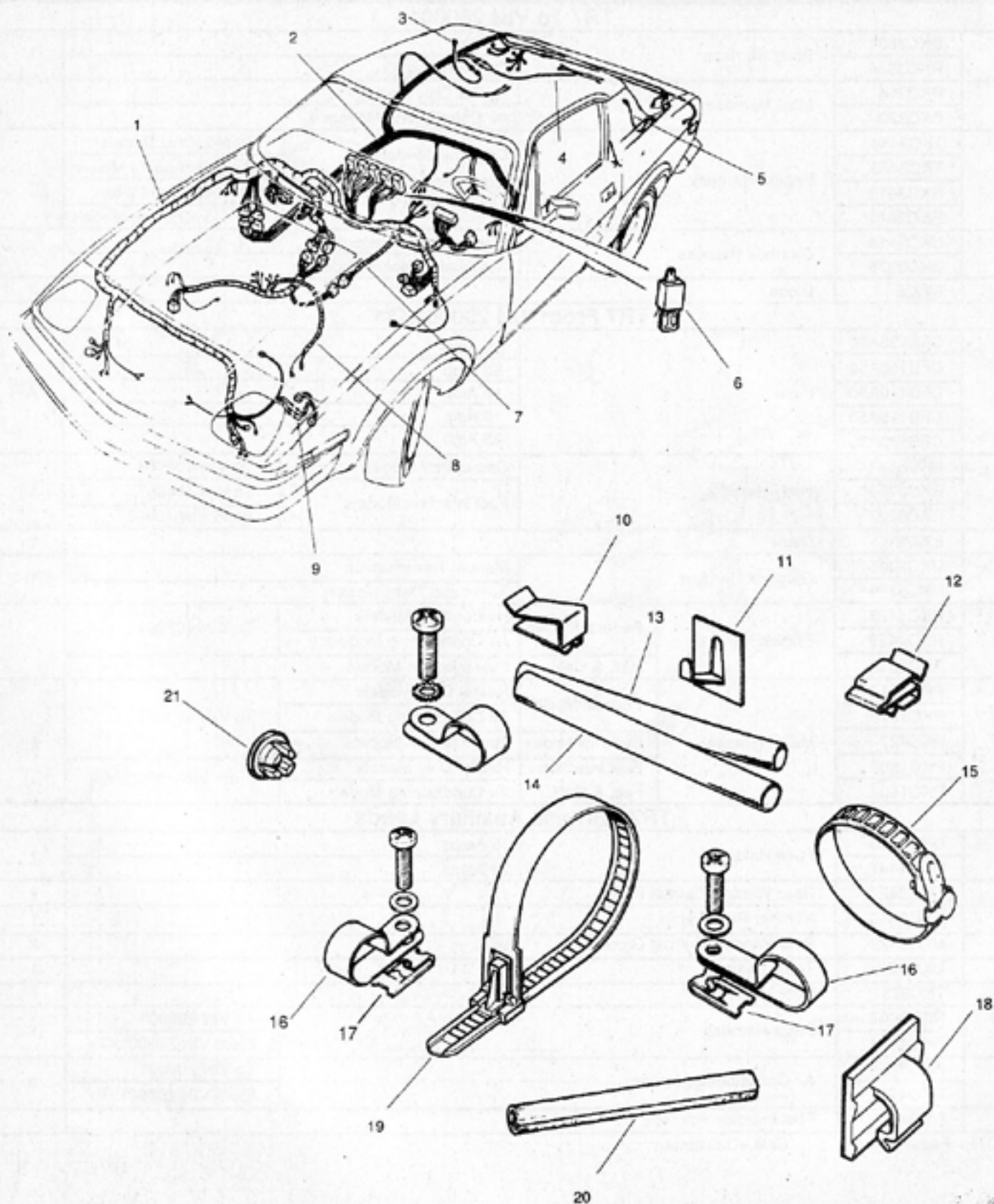
Ill. No.	Part No.	Description	Qty. Req'd.
<b>TR7 To VIN 200001</b>			
1	RKC3631	Body Harness	Coupe
	RKC3536		Convertible
2	PKC314	Main Harness	Heater Only Models
	PKC320		Air Conditioning Models
3	TKC3464	Engine Harness	California Models
	TKC3463		Heater Only Models
	RKC3613		Air Conditioning Models
	RKC3614		Federal Models
4	UKC3415	Gearbox Harness	Manual Transmission
	UKC3378		Automatic Transmission
5	83225	Diode	2
<b>TR7 From VIN 200001 On</b>			
6	CFB135A50	Fuse	35 Amp
	CFB150A50		50 Amp
	CFB110A50		10 Amp
	CFB115A50		15 Amp
	CFB125A50		25 Amp
7	RKC3631	Body Harness	Carburettor Models
	RKC3753		To VIN 404967
	RKC5127		Fuel Injection Models
8	83225	Diode	From VIN 404967 On
			2
9	UKC3415	Gearbox Harness	Manual Transmission
	UKC3378		Automatic Transmission
10	RKC4423	Engine Harness	Federal Models
	RKC4422		Heater Only Models
	RKC5513		Fuel Injection Models
11	PKC1317	Main Harness	Federal Models
	PKC1318		Heater Only Models
	PKC427		Air Conditioning Models
	PKC1508		California Models
	PKC1507		Fuel Injection Models
<b>TR7 Harness Auxiliary Leads</b>			
12	UKC4446	Fuse Holder	15 Amps.
	UKC4447		20 Amps.
13	UKC2427	Rear Window Defrost Feed	1
14	UKC9350	Number Plate Lamp	1
15	UKC2428	Rear Window Defrost Ground	1
16	UKC8343	Trunk Lamp	1
17	TKC3831	Door Harness	1
18	RKC3607	Facia Harness	To VIN 200001
	RKC4348		From VIN 200001 On
19	RKC3754	Air Conditioning Harness	To VIN 200001
	RKC4724		From VIN 200001 On
20	PKC428	Fuel Injection Harness	1

NOTE: Fed.=Federal Calif.=California

If No Year Or Model Is Listed, Part Number Fits All Models Listed At The Beginning Of The Category.

# ELECTRICAL

## TR7 & TR8 WIRING HARNESSSES



# ELECTRICAL

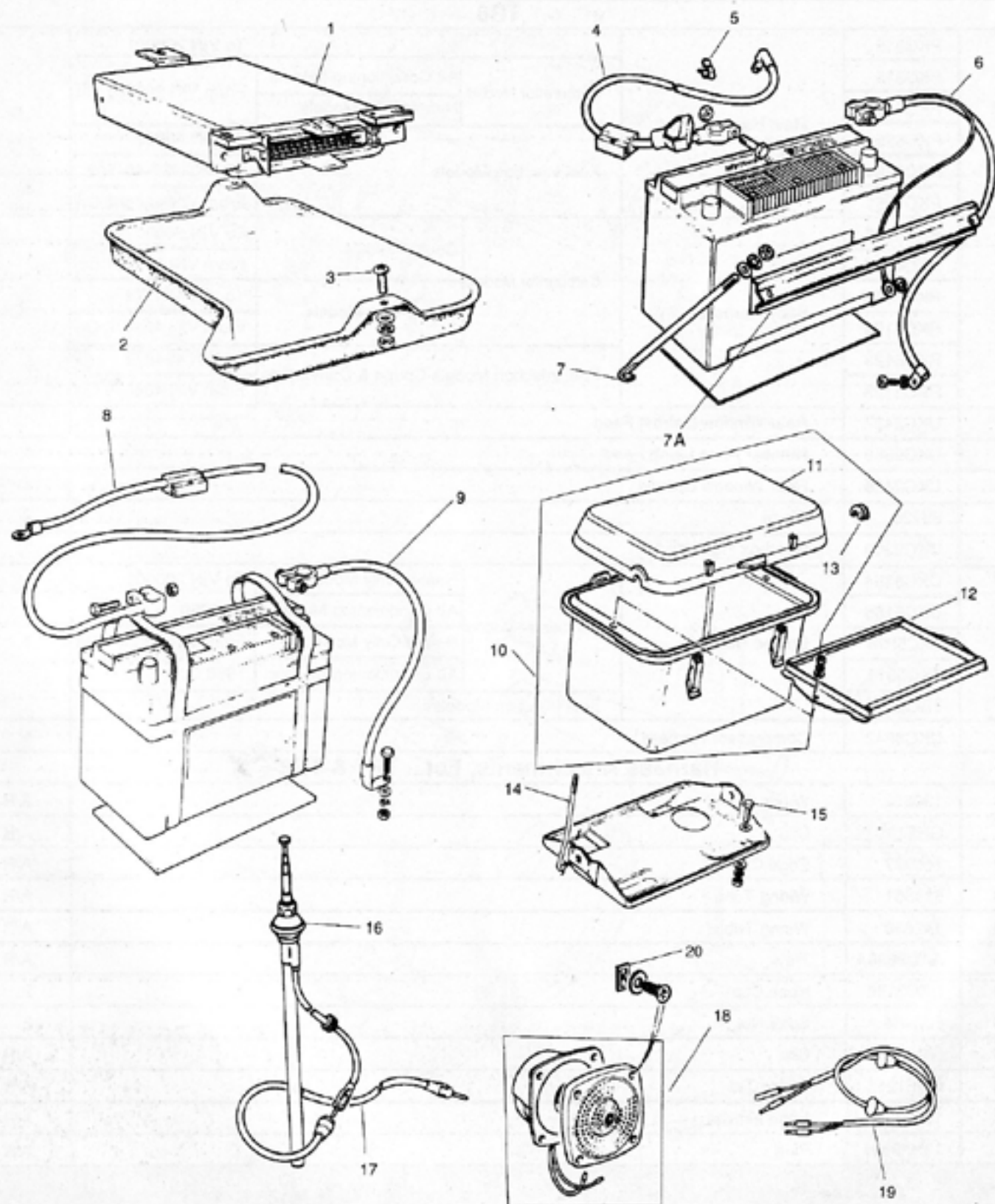
## TR7 & TR8 WIRING HARNESSSES

Ill. No.	Part No.	Description	Qty. Req'd.			
<b>TR8</b>						
1	PKC315	Main Harness	1			
	PKC315			Carburettor Models	To VIN 200001	
	PKC1463				From VIN 200001 On	
	PKC625			Fuel Injection Models	To VIN 402027	
	PKC1364				VIN 402027-404602	
PKC1951	From VIN 404602 On					
2	RKC3632	Body Harness	1			
	RKC4627			Carburettor Models	Coupe Models	To VIN 200001
	RKC3536				Convertible Models	From VIN 200001 On
	RKC5124			Fuel Injection Models-Coupe & Convertible	To VIN 404879	
	RKC5123				From VIN 404879 On	
	RKC5123				To VIN 404879	
		From VIN 404879 On				
3	UKC2427	Rear Window Defrost Feed	1			
4	UKC9350	Number Plate Lamp Feed	1			
5	UKC2428	Rear Window Ground	1			
6	83225	Diode	2			
7	UKC9200	Gearbox Harness	1			
8	UKC8354	Engine Harness	1			
	UKC8165			Carburettor Models	Heater Only Models	To VIN 200001
	TKC5914				Air Conditioning Models	To 1980
	TKC5913			Fuel Injection Models	Heater Only Models	From VIN 200001 On
	TKC5638				Air Conditioning Models	1980 On
9	UKC8942	Compressor Harness	1			
<b>Harness Attachments, Ect... TR7 &amp; TR8</b>						
10	130882	Wiring Clip	A/R			
11	GHF1101	Clip	A/R			
12	160377	Edge Clip	A/R			
13	511551	Wiring Tube	A/R			
14	142618	Wiring Tube	A/R			
15	AAU3686A	Tie	A/R			
16	UKC3180	Hose Clip	2			
17	FJ2464	Spire Nut	2			
18	GHF1101	Clip	A/R			
19	GHF1266	Wiring Tie	A/R			
20	154036	Edge Finisher	A/R			
21	13H8998	Plug	A/R			

*If No Year Or Model Is Listed, Part Number Fits All Models Listed At The Beginning Of The Category.*

# ELECTRICAL

## TR7 & TR8 ELECTRONIC CONTROL UNIT, BATTERY COMPONENTS, AERIALS & SPEAKERS



# ELECTRICAL

## TR7 & TR8 ELECTRONIC CONTROL UNIT, BATTERY COMPONENTS, AERIALS & SPEAKERS

Ill. No.	Part No.	Description	Qty. Req'd	
<b>Electronic Control Unit</b>				
1	RKC3764	Electronic Control Unit (ECU Unit)	1	
	RKC4818			
	83617			
		TR7	9/79-3/80 4/80 On	To VIN 402027 From VIN 402027 On
		TR8		
2	WKC5180LG	Tray for ECU Unit	1	
3	ZKC3962	Screw	4	
<b>Battery Components TR7</b>				
4	UKC516	Battery Cable (Positive)	1	
5	UKC3189	Clip	2	
6	ULC1673	Battery Cable (Negative)	1	
7	610798	Battery Rod	2	
7A	157910	Bracket-Retaining Battery	Carburettor Models	
	TKC5363		Fuel Injected Models	
			1	
<b>Battery Components TR8</b>				
8	UKC7460	Battery Cable (Positive)	1	
9	UKC7461	Battery Cable (Negative)	1	
10	XKC2211	Battery Box Assy.	1	
11	YKC2131	Battery Box Cover	1	
12	YKC2361	Battery Hold Down Bracket	1	
13	ZKC2734	Grommet	2	
14	ZKC2292	Battery "J" Bolt	2	
15	YKC2360	Battery Tray	1	
<b>Radio Aerial &amp; Speakers</b>				
16	YKC2500	Radio Aerial	1	
17	ZKC533	Aerial Lead	1	
18	RKC5518	Speaker Assy.	2	
19	UKC5720	Door Speaker Leads	2	
20	AAU8111A	Spiro Clip	8	

*Check all electrical connections. A thorough cleaning of all battery terminal connections will ensure quick starting. It is wise to disconnect the battery when working on electrical components.*

## TR7 & TR8 LUMINATION ELECTRONIC IGNITION

### Lumenition Optronic Ignition System

Lumenition is without a doubt a very special form of electronic ignition.

At its heart are an infra-red ray and light sensitive cell which are much more accurate than the contact breaker and condenser they replace.

This results in easier starting, better acceleration, smoother running and better mileage.

In addition, Lumenition contains no moving parts to wear out, so the system itself is completely maintenance free.

And, thanks to a continuous development program, the Lumenition system offers reliability second to none.

High-speed performance is improved and the engine will run smoothly, because of the precise timing and the elimination of points bounce.

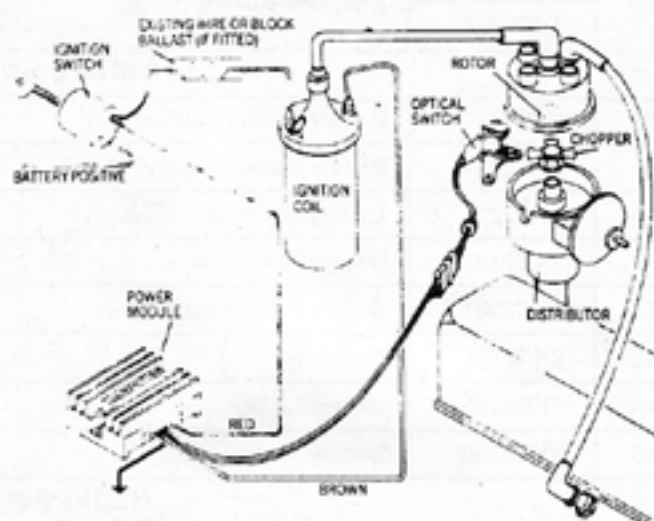
Gasoline consumption drops, engine flexibility is increased and the acceleration is improved because of the more complete combustion and elimination of engine misfires.

Starting is made easier, even if the battery isn't fully charged. (No more hold-ups on cold mornings and less use of the choke).

Spark plugs have a longer life-span and exhaust emissions are reduced.

And, finally there is a reduction in regular maintenance costs because the system is so reliable and there are no parts needing service or replacement.

Part No.	Description	Model
PMA50	Power Module	All TR7 & TR8
FK109	Fitting Kit	For Lucas Distributors W/ Amplifier Attached To Distributor
FK121	Fitting Kit	For CEI Distributors, Amplifier Mounted Remotely
FK110	Fitting Kit	For All TR8 Models W/Lucas Distributors



--From the diagram you can see that the Lumenition system consists of three basic components. An Optical Switch, a Power Module and a Chopper (rotating segmented disc).

--The Optical Switch directs an infra-red ray from its emitter (light emitting diode) to its detector (silicon phototransistor).

--When the detector sees this ray it is switched on.

--And when the ray is interrupted by the revolving Chopper, which is fitted to the distributor cam and has one blade for each cylinder, the detector is switched off.

--This constant on/off action then controls an electronic switch inside the Power Module.

--This, in turn, switches the coil on and off to produce the spark at the plugs.

--The whole operation, of course, takes place at phenomenal speed.

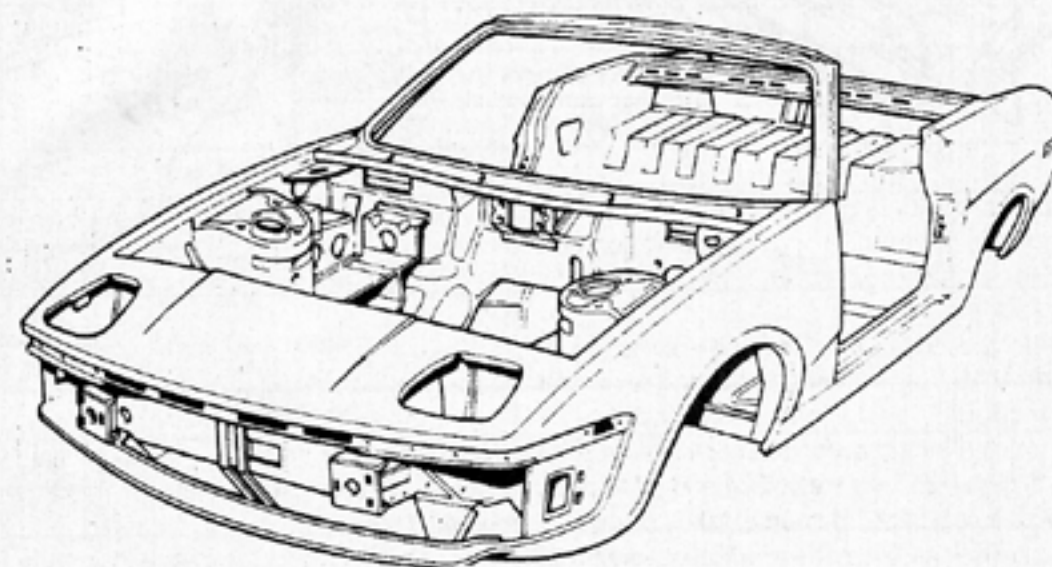
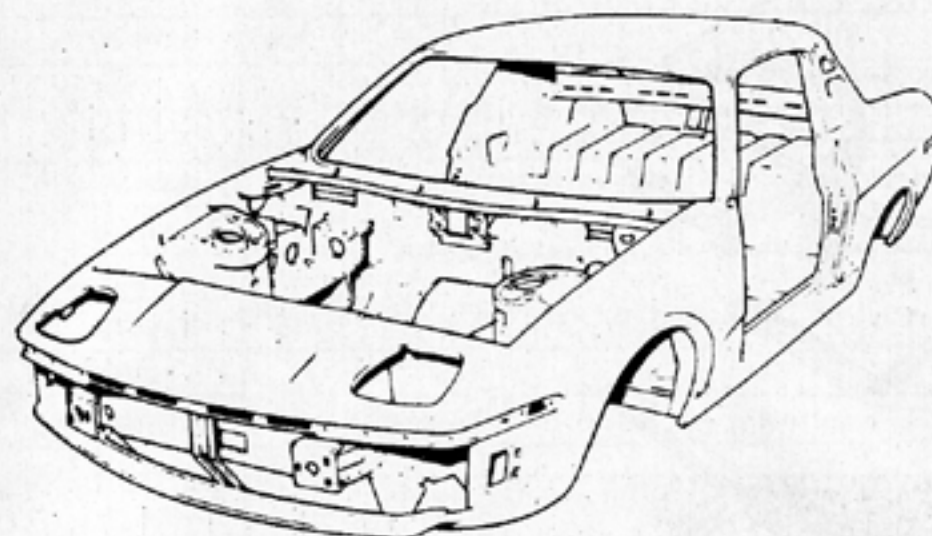
--But, because there is nothing whatsoever to interfere with the Chopper, the switch inside the Power Module is always controlled with pin-point accuracy.

--As a result, the cylinders fire in perfect sequence and the engine keeps faultless timing throughout its lifetime.

--And a longer lasting high-energy spark is produced at even the highest engine speeds.

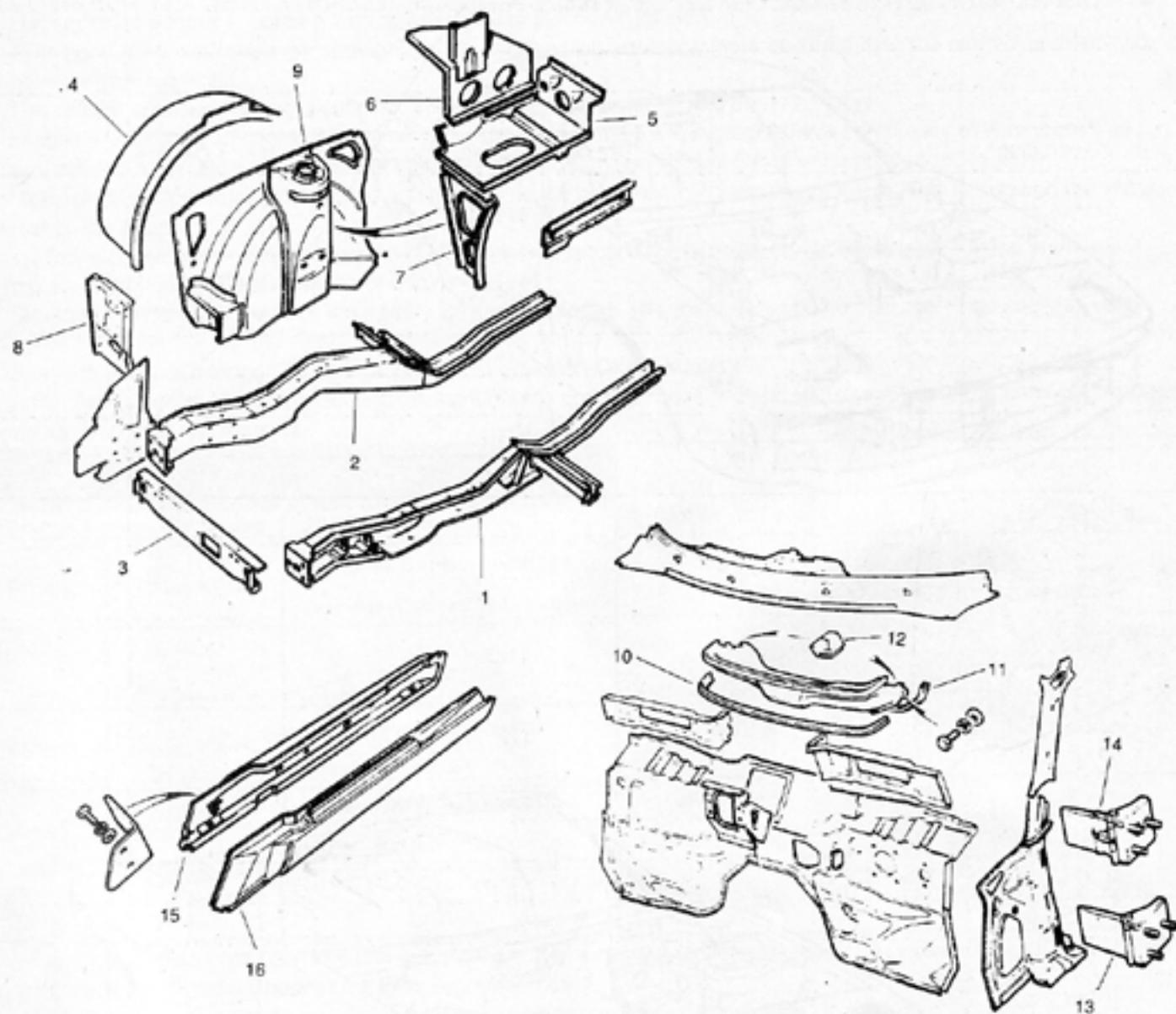
--The difference all this makes to a car is noticeable at once.

## TR7 & TR8



**BODY**

**TR7 & TR8  
INNER BODY PANELS**



**BODY**

**TR7 & TR8  
INNER BODY PANELS**

Ill. No.	Part No.	Description		Qty. Req'd.
1	WKC5059	LH	Rail	1
2	WKC5060	RH	Rail	1
3	YKC61		Front Rail	Approx. 1975-78 To VIN ACG25001 & ACW30001
	WKC3630			Approx. 1978 On From VIN ACG25001 & ACW30001 On
4	WKC2449	RH	Front Wheel Arch	1975-79
	WKC42	LH		1979 On
	WKC2449	RH		
	WKC2448	LH		
5	WKC26	Battery Tray		1975-79
	WKC25			1979 On
6	XKC163	Battery Tray		1975-79
	XKC3769			1979 On
7	XKC195	Battery Tray Member		1
8	XKC17	RH	Panel	1975 thru 81
	YKC3280	LH		
9	WKC105	RH	Valance Tower	1975-79
	WKC104	LH		
	WKC5051	RH		1979 On
	WKC5050	LH		
10	YKC175	Seal		Approx. 1975 To VIN ACL4089
	YKC1884			Approx. 1975-77 1/2 From VIN ACL4090-VIN23010CG
	YKC1887			Approx. 1977 1/2 On From VIN 23010CG On
11	YKC320	Seal		1
12	ZKC743	RH	Seal	1
	ZKC742	LH		
13	XKC34	RH	Lower Door Hinge	1
	XKC33	LH		
14	DZB431	Upper Door Hinge		2
15	XKC167	RH	Inner Sill	1
	XKC165	LH		
16	XKC113R	RH	Outer Sill (Factory)	8322238RH
	XKC112R	LH		8322238LH

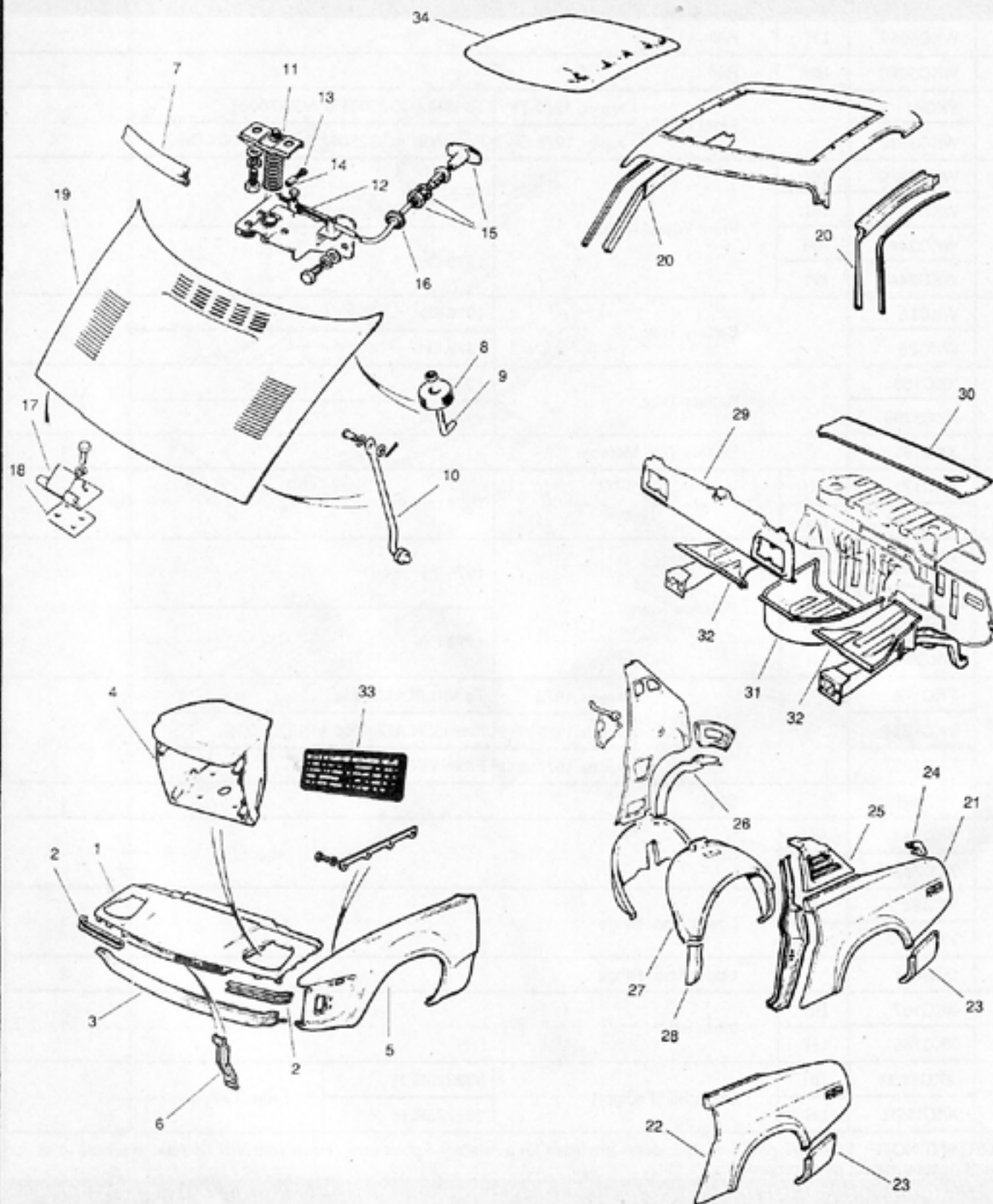
**IMPORTANT NOTE:** When (Approx.) is used, dates are listed for a reference point only. Have your VIN Number available at all times to ensure correct parts ordered.

*If No Model Indication Is Mentioned Part Number Fits Both Coupe & Convertible.*

*If No Year Is Mentioned Part Number Fits All Models 1975 thru 81.*

**BODY**

**TR7 & TR8  
INNER & OUTER BODY PANELS**



**BODY**

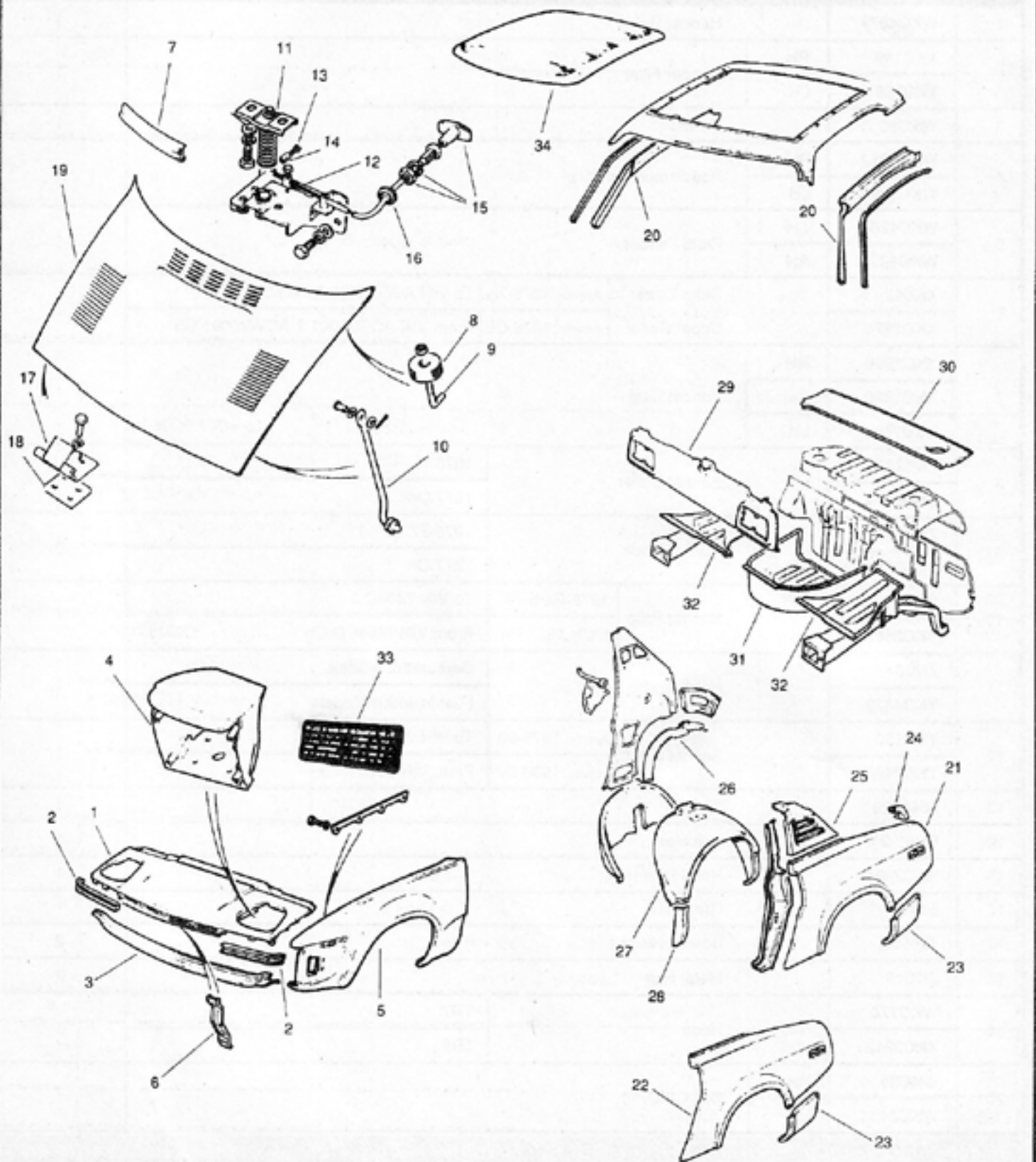
**TR7 & TR8  
INNER & OUTER BODY PANELS**

Ill. No.	Part No.	Description		Qty. Req'd.	
1	WKC4077	Header Panel		1	
2	XKC149	RH	Header Filler	1	
	XKC148	LH			
3	WKC86	Valance		1	
4	WKC1232	RH	Headlamp Bucket	1	
	WKC1230	LH			
5	WKC4267	LH	Front Fender	1	
	WKC4268	RH			
6	XKC67	Strap-Lower to	Approx. 1975-78	To VIN ACG25001 & ACW30001	2
	XKC2976		Upper Panel	Approx. 1978 On	
7	YKC1889	RH	Bonnet Seal	1	
	XKC1890	Center			
	YKC1889	LH			
8	ZKC287	Bonnet Buffer	1975-77	2	
	ZKC3514		1977 On		
9	ZKC494	Bonnet Hook	1975-77	2	
	ZKC3521		1977 On		
10	YKC4	Bonnet Prop	1975-Early 77	To VIN 7408CG	1
	YKC2501		Early 1977 On	From VIN 7408CG On	
11	ZKC649	Hood Spring Latch	Carburettor Models		1
	YKC4472		Fuel Injection Models		
12	YKC150	Bonnet Latch	Approx. 1975-80	To VIN 202093	1
	YKC4468		Approx. 1980 On	From VIN 202093 On	
13	564832	Screw		1	
14	612219	Adjuster		1	
15	XKC3984	Hood Release		1	
16	61917	Grommet		1	
17	626586	Bonnet Hinge		2	
18	ZKC19	Metal Pad		2	
19	WKC170	Hood	TR7	1	
	XKC2242		TR8		
20	WKC35	RH	Drip Channel	1	
	WKC34	LH			

*If No Model Indication Is Mentioned Part Number Fits Both Coupe & Convertible  
If No Year Is Mentioned Part Number Fits All Models 1975 thru 81.*

**BODY**

**TR7 & TR8  
INNER & OUTER BODY PANELS**

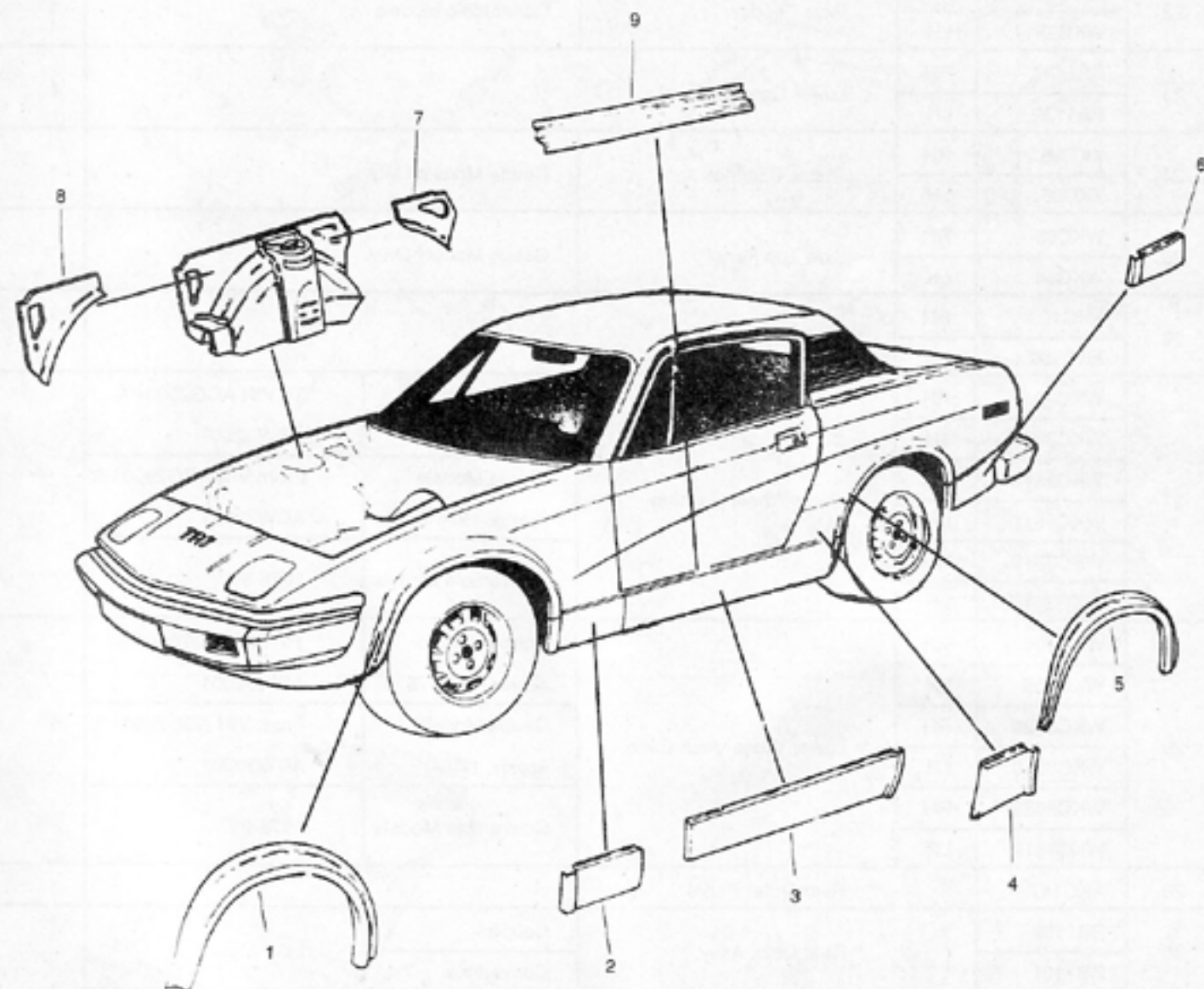


**BODY**

**TR7 & TR8  
INNER & OUTER BODY PANELS**

Ill. No.	Part No.	Description	Qty. Req'd.		
21	XKC191	RH	Rear Fender Coupe Models	1	
	XKC190	LH			
22	WKC3518	RH	Rear Fender Convertible Models	1	
	WKC3517	LH			
23	RB1140	RH	Lower Quarter Panel	1	
	RB1139	LH			
24	XKC36	RH	Gutter Channel Coupe Models Only	1	
	XKC35	LH			
25	WKC65	RH	Side Top Panel Coupe Models Only	1	
	WKC64	LH			
26	XKC193	RH	Inner Arch Panel	1	
	XKC192	LH			
27	WKC204	RH	Outer Wheel Housing	Coupe Models Approx. 1975-78 To VIN ACG25001 & ACW30001	1
	WKC203	LH			
	WKC3618	RH		Coupe Models Approx. 1978-81 From VIN ACG25001 & ACW30001	
	WKC3617	LH			
	WKC3618	RH		Convertible Models 1975-81	
WKC3617	LH				
28	WKC206	RH	Lower Wheel Arch Panel	Coupe Models Approx. 1975-78 To VIN ACG25001 & ACW30001	1
	WKC205	LH			
	WKC3620	RH		Coupe Models Approx. 1978-81 From VIN ACG25001 & ACW30001	
	WKC3619	LH			
	WKC3620	RH		Convertible Models 1975-81	
	WKC3619	LH			
29	XKC147	Rear Outer Panel		1	
30	RB1159	Rear Deck Assy.	Coupe	Late Style	1
	RB1161		Convertible		
--	RB116	Conversion Filler Neck Kit to Convert Early Rear Deck Assy. to Late Rear Deck Assy.		Approx. 1975-77	1
31	WKC145	Trunk Panel		1	
32	YKC3808	RH	Trunk Floor	1	
	WKC135	LH			
33	ZKC3748	Decal		1	
34	WKC1222NC	Canvas Top for Sun Roof		1	

If No Model Indication is Mentioned Part Number Fits Both Coupe & Convertible.  
If No Year is Mentioned Part Number Fits All Models 1975 thru 81.

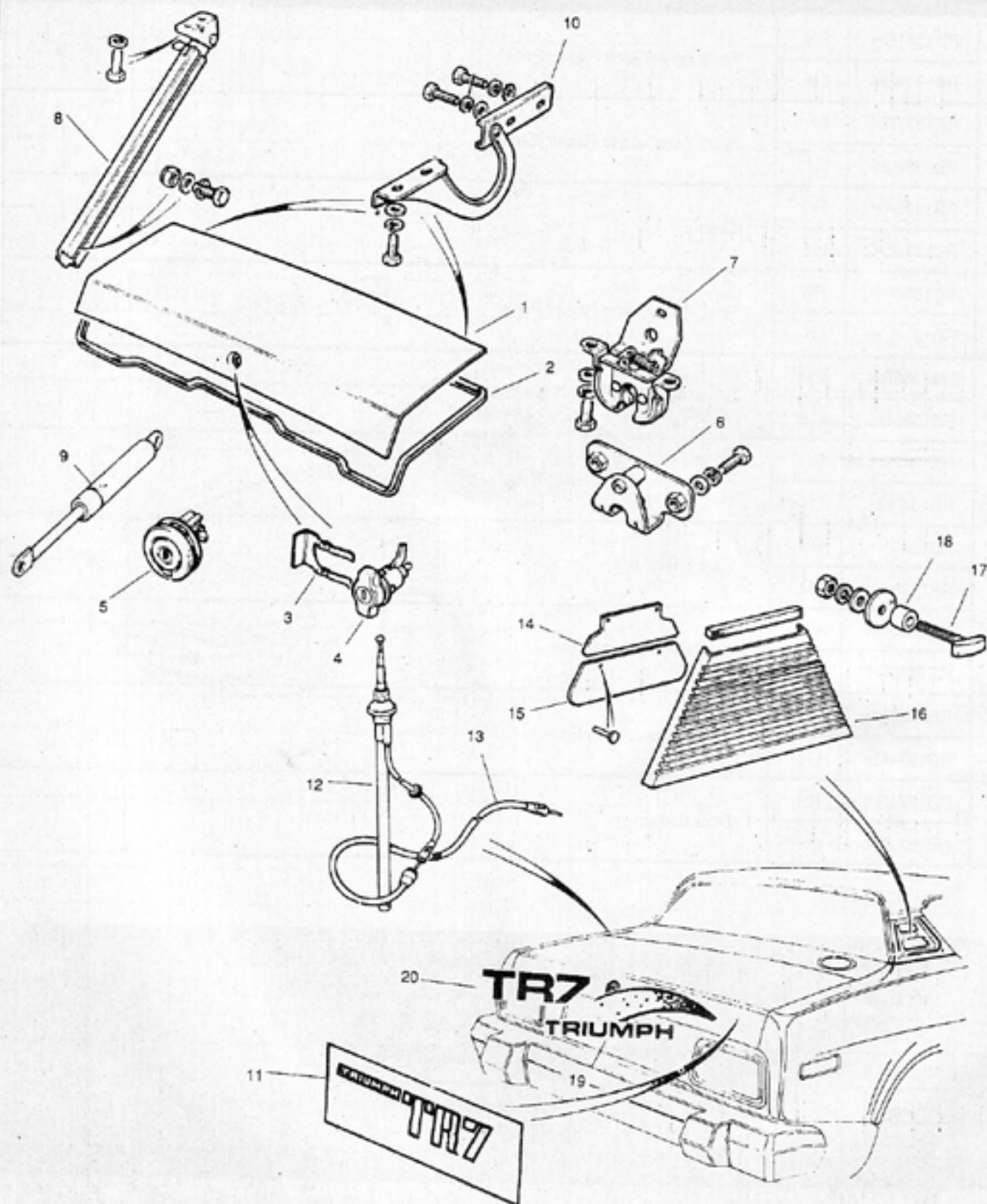
TR7 & TR8  
REPAIR PANELSTR7 & TR8  
REPAIR PANELS

Ill. No.	Part No.		Description	Qty. Req'd.
1	RB1341RH	RH	Front Wheel Arch Repair Panel	1
	RB1341LH	LH		
2	RB1337RH	RH	Front Wing Lower Repair Panel	1
	RB1337LH	LH		
3	RB1336RH	RH	Quick Fit Sill	1
	RB1336LH	LH		
4	RB1338RH	RH	Rear Wing Lower Repair Panel	1
	RB1338LH	LH		
--	RB1366RH	RH	Lower Half Rear Wing Fibre Glass	1
	RB1366LH	LH		
5	RB1342RH	RH	Rear Wheel Arch Repair Panel	1
	RB1342LH	LH		
6	RB1140	RH	Rear Lower Sill	1
	RB1139	LH		
7	RB1340RH	RH	Inner Repair Panel Rear	1
	RB1340LH	LH		
8	RB1339RH	RH	Inner Repair Panel Front	1
	RB1339LH	LH		
9	RB1371RH	RH	Door Bottom	1
	RB1371LH	LH		

The repair panels listed above are in addition to the standard body panels listed in the catalog. All our repair panels are mild steel unless stated otherwise. In many cases it is much easier and less costly to repair minor rust or damage using our range of repair panels.

*If No Model Indication Is Mentioned Part Number Fits Both Coupe & Convertible.  
If No Year Is Mentioned Part Number Fits All Models 1975 thru 81.*

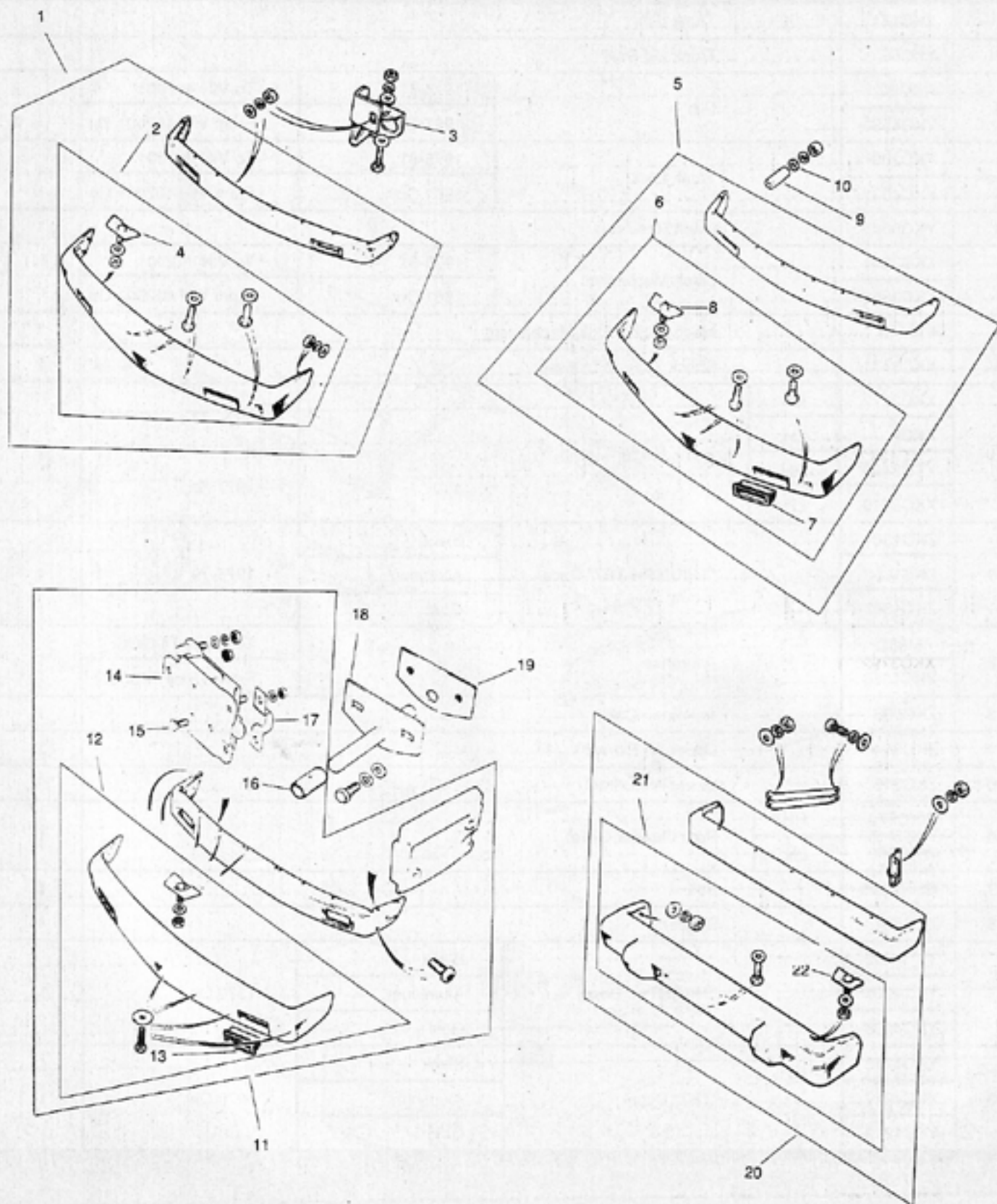


**BODY**
**TR7 & TR8  
TRUNK LIDS & SIDE GRILLE**

**BODY**
**TR7 & TR8  
TRUNK LIDS & SIDE GRILLE**

Ill. No.	Part No.	Description			Qty. Req'd.	
1	XKC141	Trunk Lid			1	
2	YKC68	Trunk Lid Seal			1	
3	723290	Clip	1975-81	To VIN 402001	1	
	YKC4530		1981 On	From VIN 402001 On		
4	YKC209	Trunk Lock	1975-81	To VIN 402001	1	
	YKC4531		1981 On	From VIN 402001 On		
6	YKC504	Latch Receiver			1	
7	XKC324	Latch Mechanism	1975-81	To VIN 402001	1	
	XKC3851		1981 On	From VIN 402001 On		
8	612473	Mechanical Trunk Mechanism			1	
9	XKC3471	Shock Type Strut Assy.			2	
10	XKC3	RH	Trunk Hinge	1975-77	1	
	XKC2	LH				
	XKC3420	RH		1977 On		
	XKC3419	LH				
11	ZKC1301	"TRIUMPH TR7" Decal		Black	1975-79	1
	ZKC1302			Aluminum		
	ZKC1303			Gold		
12	FM88C	Antennae		To Trim# T449CG	1	
	YKC1856			From Trim# T450CG		
13	ZKC533	Antennae Cable			1	
14	ZKC314	Upper Air Extract			2	
15	ZKC315	Lower Air Extract			2	
16	WKC570	RH	Rear Quarter Grille		1	
	WKC550	LH				
17	GHF1056	Bolt			8	
18	ZKC561	Spacer			4	
19	YKC4206	"TRIUMPH" Decal		Black	1979 On	1
	YKC4207			Aluminum		
	YKC4208			Gold		
20	YKC4216	"TR7" Decal		Black	1979 On	1
	YKC4217			Aluminum		
	YKC4218			Gold		

*If No Model Indication Is Mentioned Part Number Fits Both Coupe & Convertible.  
If No Year Is Mentioned Part Number Fits All Models 1975 thru 81.*

TR7 & TR8  
BUMPERS



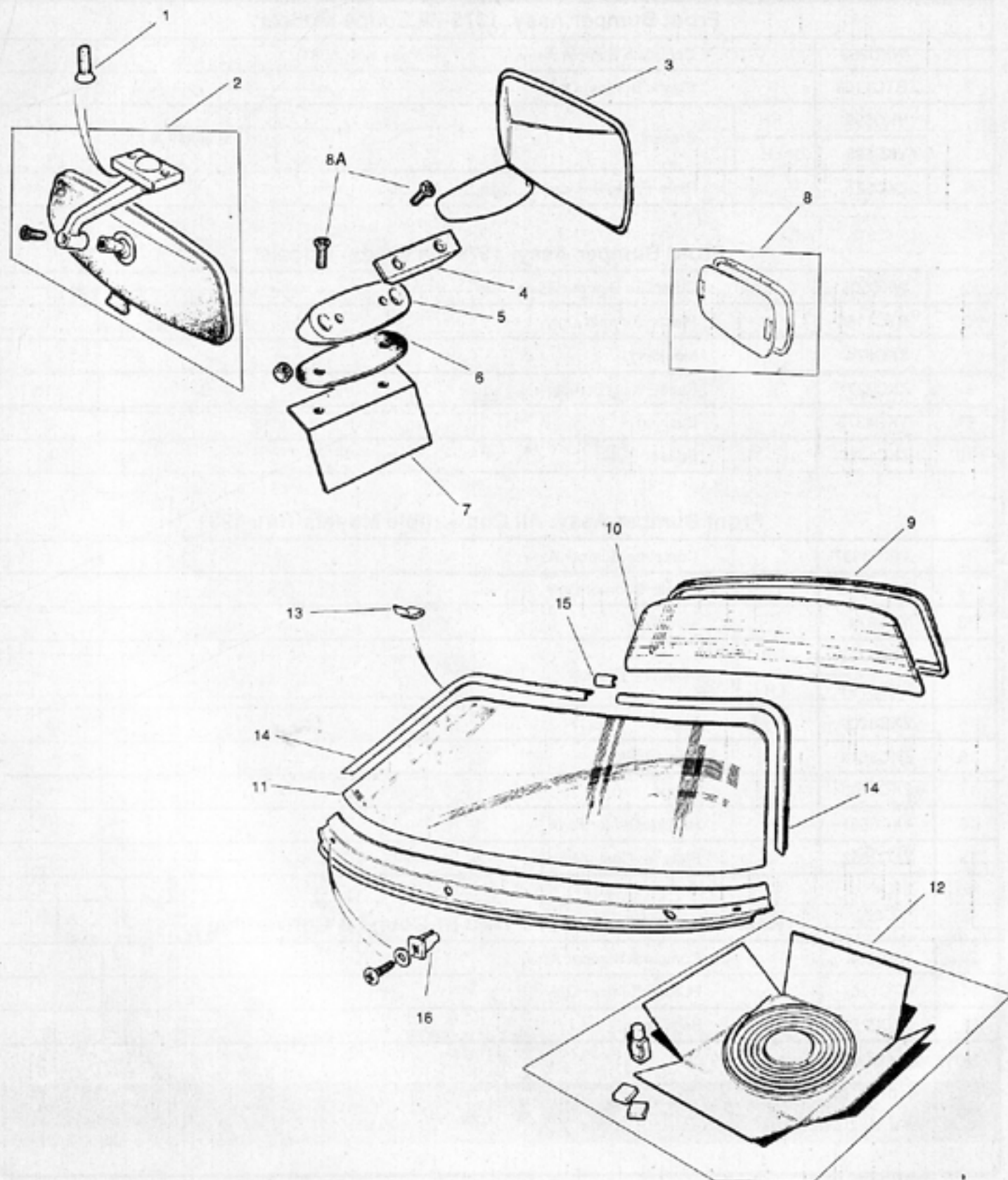
TR7 & TR8  
BUMPERS

Ill. No.	Part No.	Description	Qty. Req'd.
<b>Front Bumper Assy. 1975-79 Coupe Models</b>			
1	WKC258	Complete Bumper Assy. (NLA use WKC5061)	1
2	RTC1166	Plastic Bumper Only	1
3	YKC599	RH	To Body# 30672CG
	YKC598	LH	
4	ZKC227	Plate-Fixing Bumper	10
<b>Front Bumper Assy. 1979 On Coupe Models</b>			
5	WKC5061	Complete Bumper Assy.	1
6	RTC1166	Plastic Bumper Only	1
7	YKC874	Moulding	2
8	ZKC227	Plate-Fixing Bumper	10
9	YKC4379	Bushing	2
10	ZKC1322	Spacer	6
<b>Front Bumper Assy. All Convertible Models Thru 1981</b>			
11	WKC3897	Complete Bumper Assy.	1
12	RTC1166	Plastic Bumper Only	1
13	YKC874	Moulding	2
14	XKC3792	RH	Mounting Bracket
	XKC3791	LH	
15	ZKC3709	Bolt	4
16	ZKC3668	Center Pivot	1
17	ZKC3702	Bridge	1
18	YKC3561	Rod for Center Pivot	1
19	ZKC3652	Plate for Center Pivot	1
<b>Rear Bumper Assy. 1975 Thru 81 Coupe &amp; Convertible</b>			
20	WKC252	Complete Bumper Assy.	1
21	RTC1167	PLastic Bumper Only	1
22	ZKC227	Bolt Plate	9

NOTE: Spoiler see page 145 & 159

If No Model Indication Is Mentioned Part Number Fits Both Coupe & Convertible.  
If No Year Is Mentioned Part Number Fits All Models 1975 thru 81.

TR7 & TR8  
MIRRORS, FRONT & REAR WINDSCREENS



TR7 & TR8  
MIRRORS, FRONT & REAR WINDSCREENS

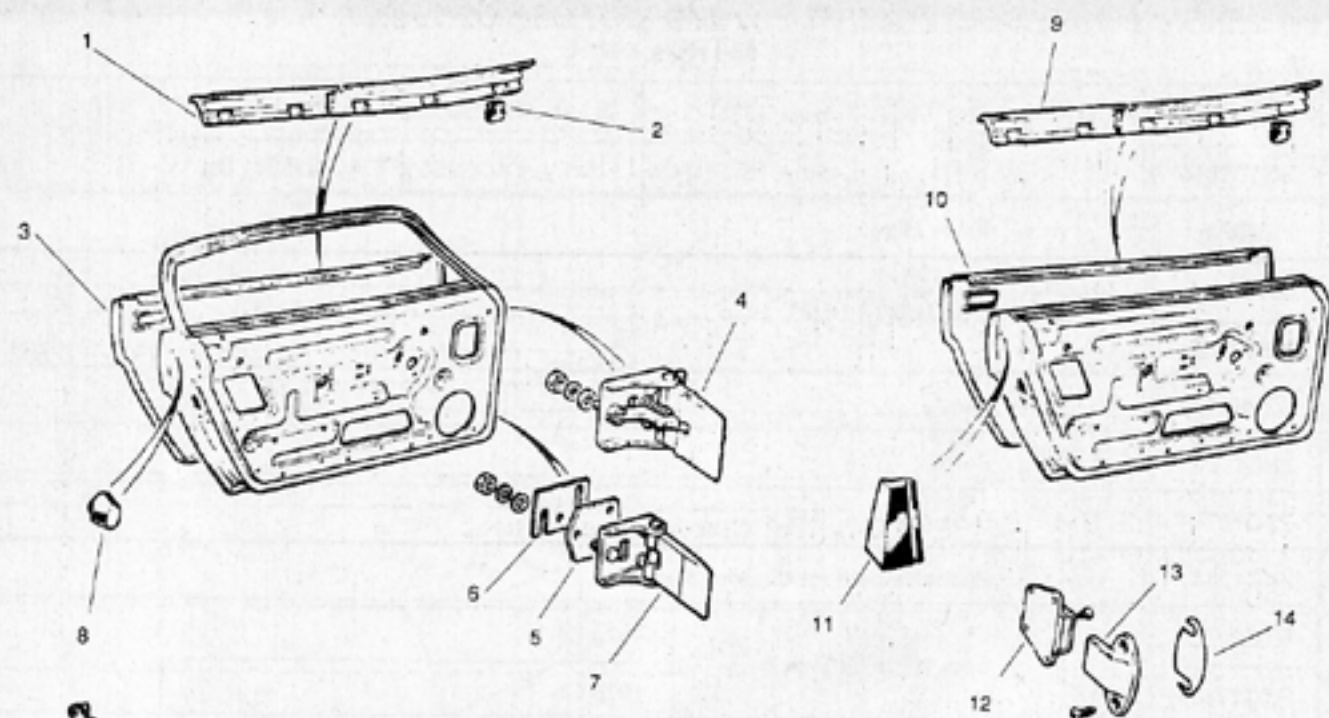
Ill. No.	Part No.	Description	Qty. Req'd.
<b>Mirrors</b>			
1	SG105143	Screw	Approx. 1975-78 1/2 To VIN ACG25001 & ACW30001
	SG105144		Approx. 1978 1/2 On From VIN ACG25001 & ACW30001 On
2	YKC571	Inside Mirror	1
3	GAM261A	RH	Door Mirror
	M68991E	LH	
4	DZB5208	Plate	1
5	ZKC1779	Bracket	1
6	ZKC1971	Grommet	1
7	ZKC1964	Reinforcement-Inside Door Skin	1
8	RTC2071	Door Mirror Service Kit	1975-79
	RTC2243		1979 On
8A	SM105161	Screw	4
<b>Windscreens</b>			
9	WKC114	Rear Windscreen Seal	Coupe Models
10	YKC4202	Rear Windscreen	
11	FCW330SX	Front Windshield (Tinted)	1
12	RTC2063	Front Windshield Seal Kit (Glazing Kit)	1
13	ZKC698	Clip	2
14	WKC255	RH	Windshield Finisher
	WKC254	LH	
15	ZKC430	Center Clip	1
16	ZKC698	Special Nut	2

IMPORTANT NOTE: When (Approx.) is used, dates are listed for a reference point only. Have your VIN Number available at all times to ensure correct parts ordered.

*If No Model Indication Is Mentioned Part Number Fits Both Coupe & Convertible.  
If No Year Is Mentioned Part Number Fits All Models 1975 thru 81*

**BODY**

**TR7 & TR8  
DOORS & COMPONENTS**

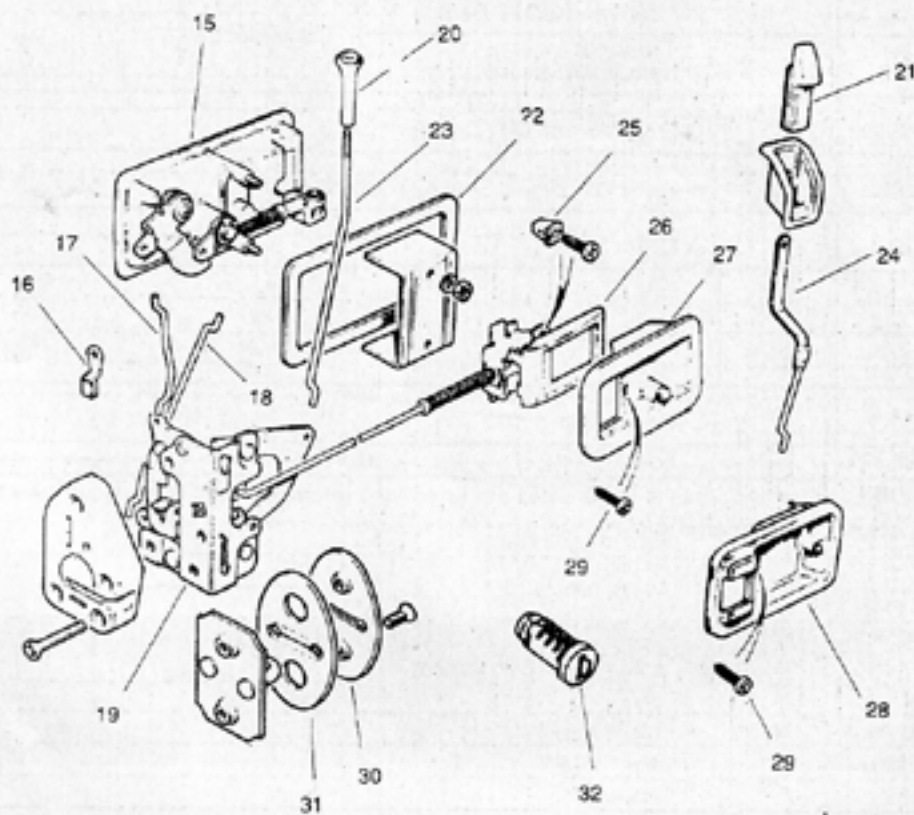


Window Regulator (AVAILABLE AGAIN!!)  
XKC326RH  
XKC325LH



ZKC3317  
Screw

ZKC3317  
Handle



**BODY**

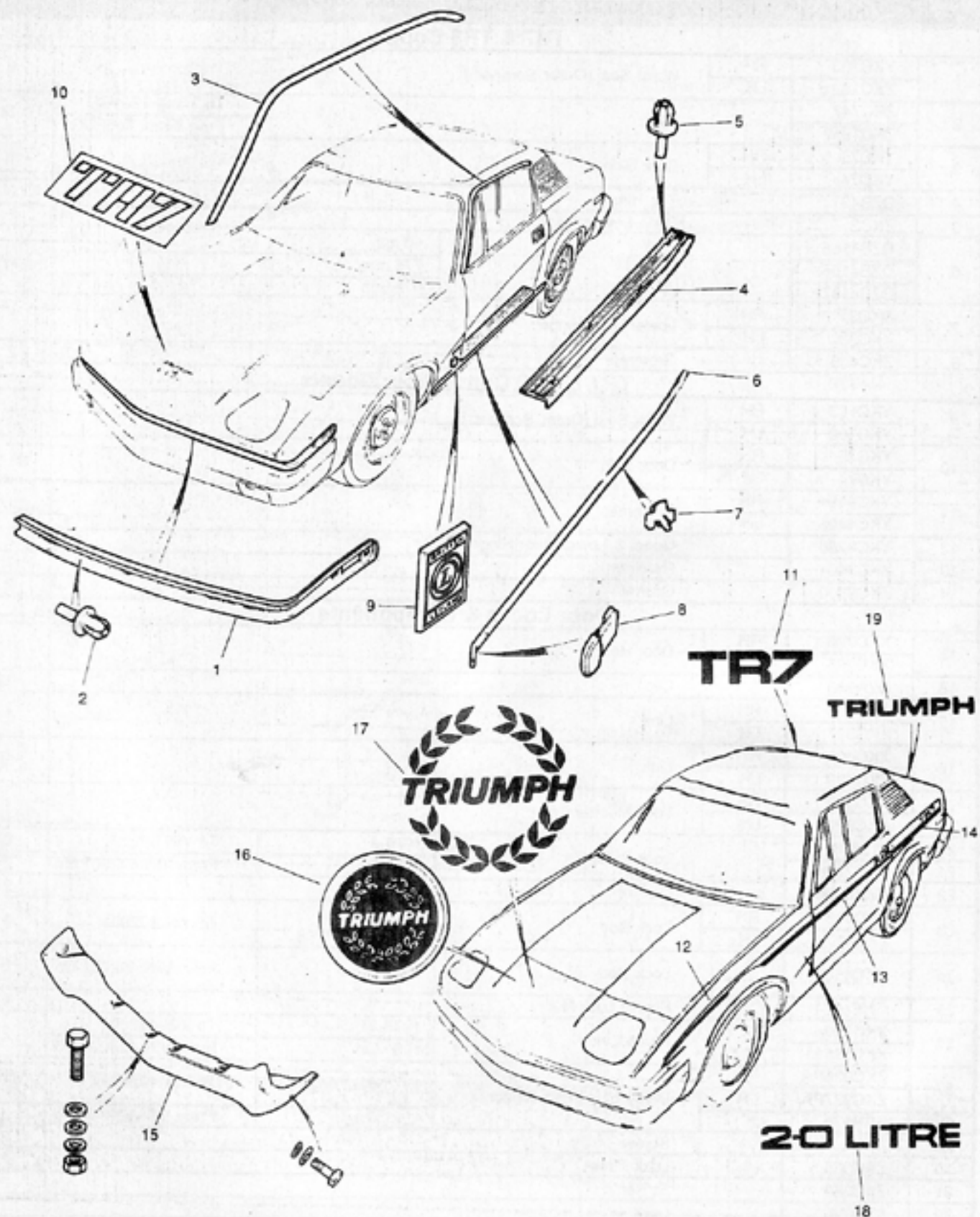
**TR7 & TR8  
DOORS & COMPONENTS**

Ill. No.	Part No.	Description	Qty. Req'd.			
<b>TR7 &amp; TR8 Coupe</b>						
1	YKC103	RH	Waist Seal (Outer Scraper )	1		
	YKC102	LH				
2	ZKC747		Clip	14		
	ZKC1942					
3	YKC75	RH	Door Skin	1		
	YKC74	LH				
4	DZB431		Top Hinge	2		
5	ZKC2		Plate-Lower Hinge	2		
6	DZB4155		Shim	A/R		
	DZB4156					
	DZB4157					
7	XKC34	RH	Lower Door Hinge	1		
	XKC33	LH				
8	ZKC435		Grommet	2		
<b>TR7 &amp; TR8 Convertible Models</b>						
9	YKC103	RH	Waist Seal (Outer Scraper )	1		
	YKC102	LH				
10	YKC75	RH	Door Skin	1		
	YKC74	LH				
11	YKC4494	RH	Grommet	1		
	YKC4495	LH				
12	YKC3290		Upper & Lower Door Hinge	2		
13	ZKC3464		Retainer	2		
14	ZKC3800		Gasket	2		
<b>Door Locks &amp; Components</b>						
15	XKC796	RH	Door Handle	1		
	XKC795	LH				
16	DZA943		Clip	12		
17	ZKC398	RH	Link	1		
	ZKC397	LH				
18	ZKC400	RH	Link	1		
	ZKC399	LH				
19	XKC323	RH	Lock Mechanism	1		
	XKC322	LH				
20	615888		Lock Button	1975-81	To VIN 402001	2
21	ZKC2728			1981 On	From VIN 402001 On	2
22	GZK8356		Gasket			2
23	ZKC418	RH	Lock Rod	1975-81	To VIN 402001	1
	ZKC417	LH				
24	YKC4507		Lock Rod	1981 On	From VIN 402001 On	2
25	GHF1021		Plastic Lock Nut			4
26	XKC770		Inside Latch	1975-81	To VIN 402001	2
	XKC3858			1981 On	From VIN 402001 On	
27	ZKC926PA	RH	Inside Latch Escutcheon	1975-81	To VIN 402001	1
	ZKC927PA	LH				
28	BBP679			1981 On	From VIN 402001 On	2
29	ADU608053		Screw			2
30	ZKC385		Lock Plate			2
31	ZKC369		Striker			2
32	576469		Lock			1

If No Model Indication Is Mentioned Part Number Fits Both Coupe & Convertible.  
If No Year Is Mentioned Part Number Fits All Models 1975 thru 81.

**BODY**

**TR7 & TR8  
TRIM, MOULDING & TAPE**



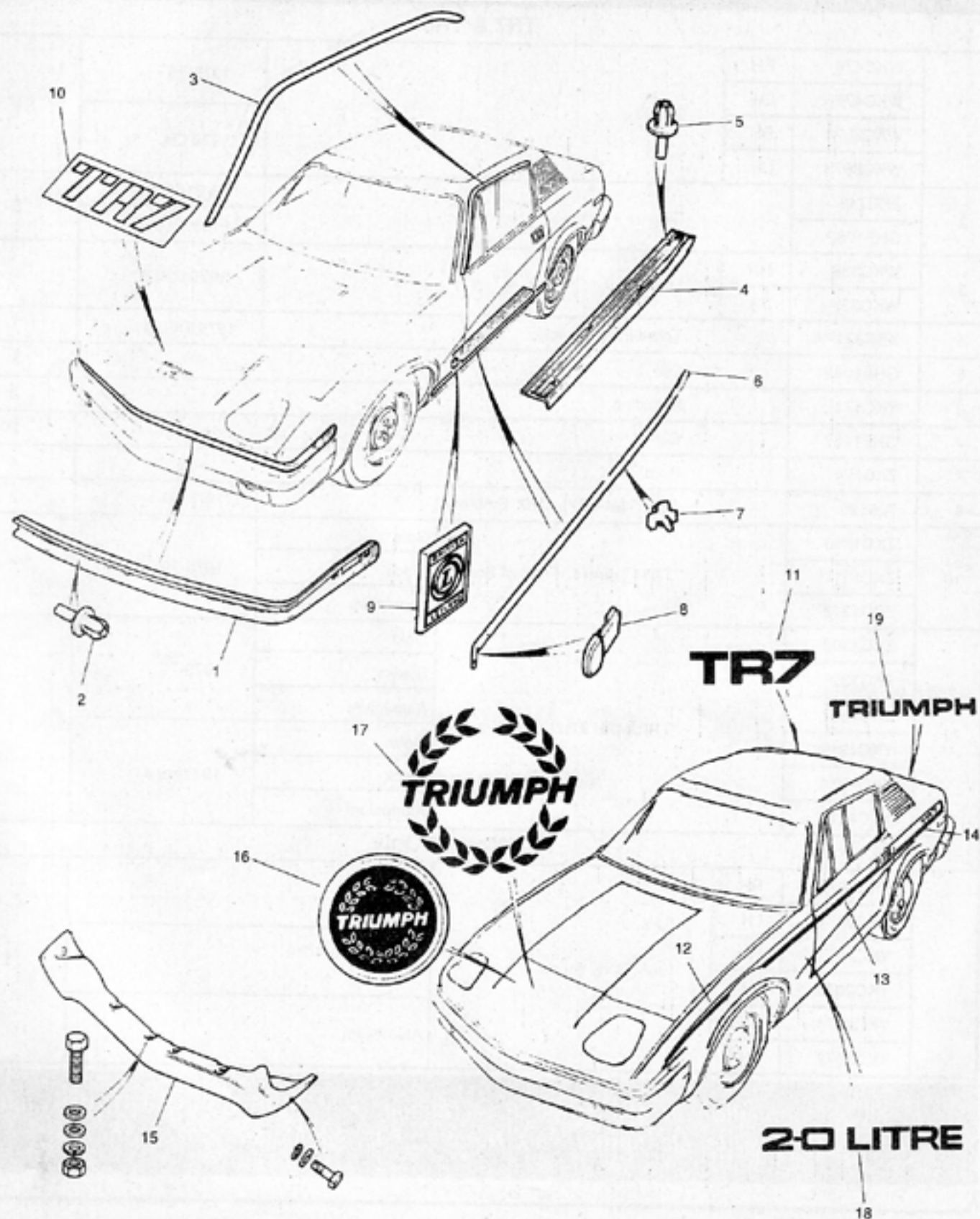
**BODY**

**TR7 & TR8  
TRIM, MOULDING & TAPE**

Ill. No.	Part No.	Description	Qty. Req'd.
<b>TR7 &amp; TR8</b>			
1	WKC478	RH	1975-79
	WKC477	LH	
	WKC3674	RH	1979 On
	WKC3673	LH	
2	ZKC748	Clip	To 2160CG
	GHF1082		From 2160CG
3	WKC338	RH	1979 thru 81
	WKC337	LH	
4	XKC331PA	Tread Plate (Black)	1979 Thru 81
5	GHF1082	Clip	8
6	YKC174	Moulding	2
7	GHF1167	Clip	20
8	ZKC774	Finisher	4
9	725525	"BRITISH LEYLAND" Emblem	1975-79
10	ZKC1313	"TR7" Transfer-Front of Bonnet	Gold
	ZKC1311		Black
	ZKC1312		Aluminium
11	ZKC1303	"TRIUMPH TR7" Rear Transfer	Gold
	ZKC1301		Black
	ZKC1302		Aluminium
	YKC4218		Gold
	YKC4216		Black
	YKC4217		Aluminium
<b>TR7 Models Only</b>			
12	YKC2075	RH	Gold
	YKC2074	LH	
	YKC2071	RH	Black
	YKC2070	LH	
	YKC2073	RH	Aluminium
	YKC2072	LH	

*If No Model Indication Is Mentioned Part Number Fits Both Coupe & Convertible.  
If No Year Is Mentioned Part Number Fits All Models 1975 thru 81.*

TR7 & TR8  
TRIM, MOULDING & TAPE



TR7 & TR8  
TRIM, MOULDING & TAPE

Ill. No.	Part No.	Description	Qty. Req'd.		
13	YKC2081	RH	Middle Body Stripe	1	
	YKC2080	LH			Gold
	YKC2075	RH			Black
	YKC2076	LH			Aluminium
	YKC2079	RH			
	YKC2078	LH			
14	YKC2093	RH	Rear Body Stripe	1	
	YKC2092	LH			Gold
	YKC2089	RH			Black
	YKC2088	LH			Aluminium
	YKC2091	RH			
	YKC2090	LH			
15	GLZ609	Front Spoiler-Original	1975-1979	1	
			1979 On		
16	XKC3902	Badge	From VIN 402001 On	1	
17	XKC3702	"TRIUMPH" Decal	Gold	To VIN 402001	1
	XKC3700		Black		
	XKC3701		Aluminium		
18	BHH2488	"2.0 Litre" Badge	1979 On	1	
19	YKC4208	"TRIUMPH" Rear Decal	Gold	1	
	YKC4206		Black		
	YKC4207		Aluminium		
<b>TR8 Models</b>					
	BLM105219	"TR8" Transfer-Supplied Only In Complete Kit*	Black	To VIN 402001	1
	BLM105221		Buckskin		
	BLM105220		Silver		

NOTE: "Bonnet is the British vocabulary for "Hood"

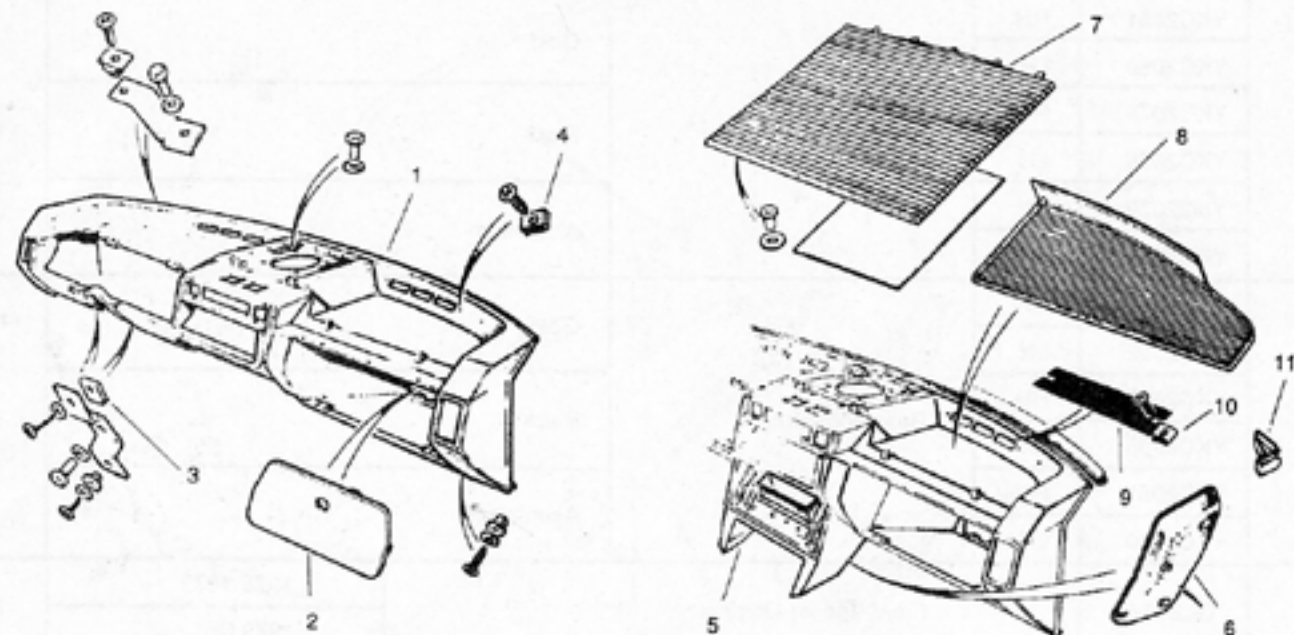
\*The decal transfer "TR8" fitted on the center of the hood is for vehicles up to VIN 402001.

From VIN 402001 onward use badge XKC3902 illustration number 16 on this page.

If No Model Indication Is Mentioned Part Number Fits Both Coupe & Convertible  
If No Year Is Mentioned Part Number Fits All Models 1975 thru 81.

**BODY**

**TR7 & TR8  
DASH & INTERIOR TRIM**



Ill. No.	Part No.	Description	Qty. Req'd.
1	WKC382PA	Dash Moulded Facia Panel Black	1
2	YKC431PA	Fuse Box Closing Panel TR7	1975-79
	YKC3325	Fuse Box Closing Panel TR7	1979 On
3	NKC468	Spire Nut	2
4	NKC481	Spire Nut	4
5	YKC1859PA	Center Console	Models W/Heaters Only
	YKC1882PA		Air Conditioning Models
6	ZKC2105PA	RH	Knee Pad
	ZKC2104PA	LH	
	YKC3565PA	RH	
	YKC3566PA	LH	
7	XKC291PA	Facia Top Pad	1975-79
	XKC2419PA		1979 On
8	YKC1116PA	RH	Facia Pad
	YKC1115PA	LH	
9	ZKC1830	Demister Mesh	1975 thru 81
10	NKC481	Spire Nut	2
11	GHF1231	Clip	6

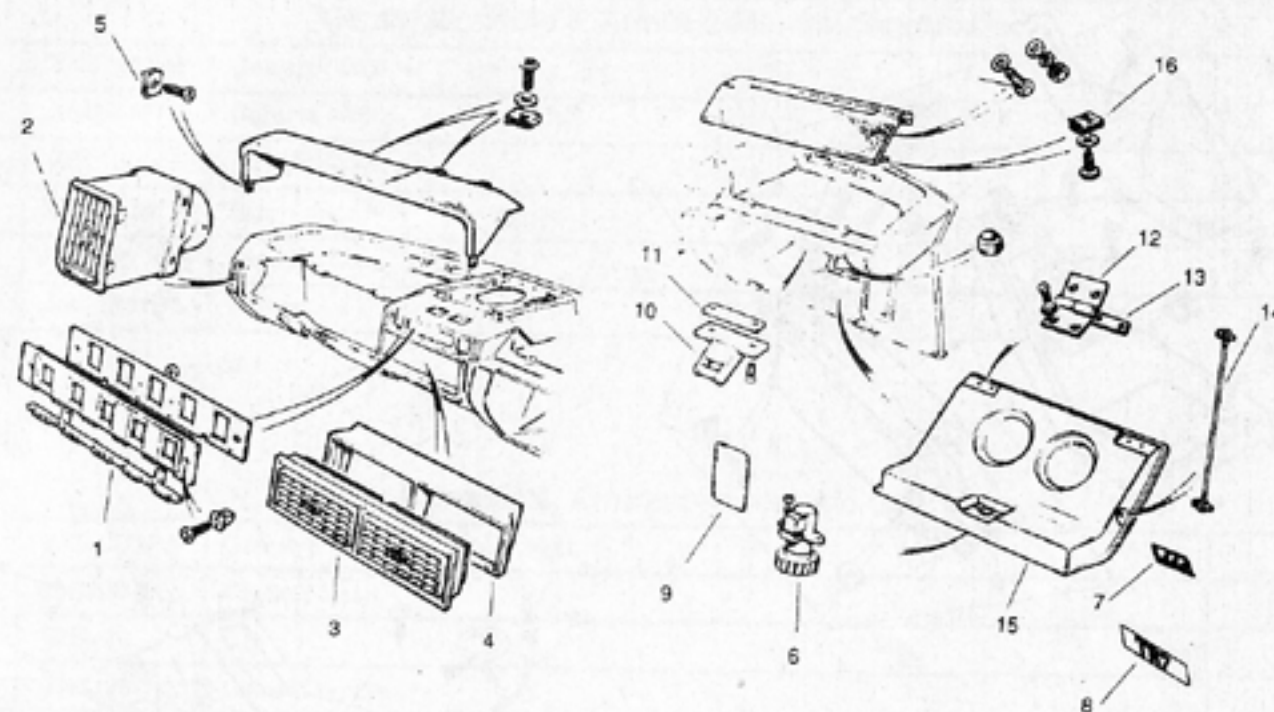
NOTE: The suffix "PA" is the color code for black.

If No Model Indication Is Mentioned Part Number Fits Both Coupe & Convertible.

If No Year Is Mentioned Part Number Fits All Models 1975 thru 81.

**BODY**

**TR7 & TR8  
INTERIOR TRIM & DECALS**



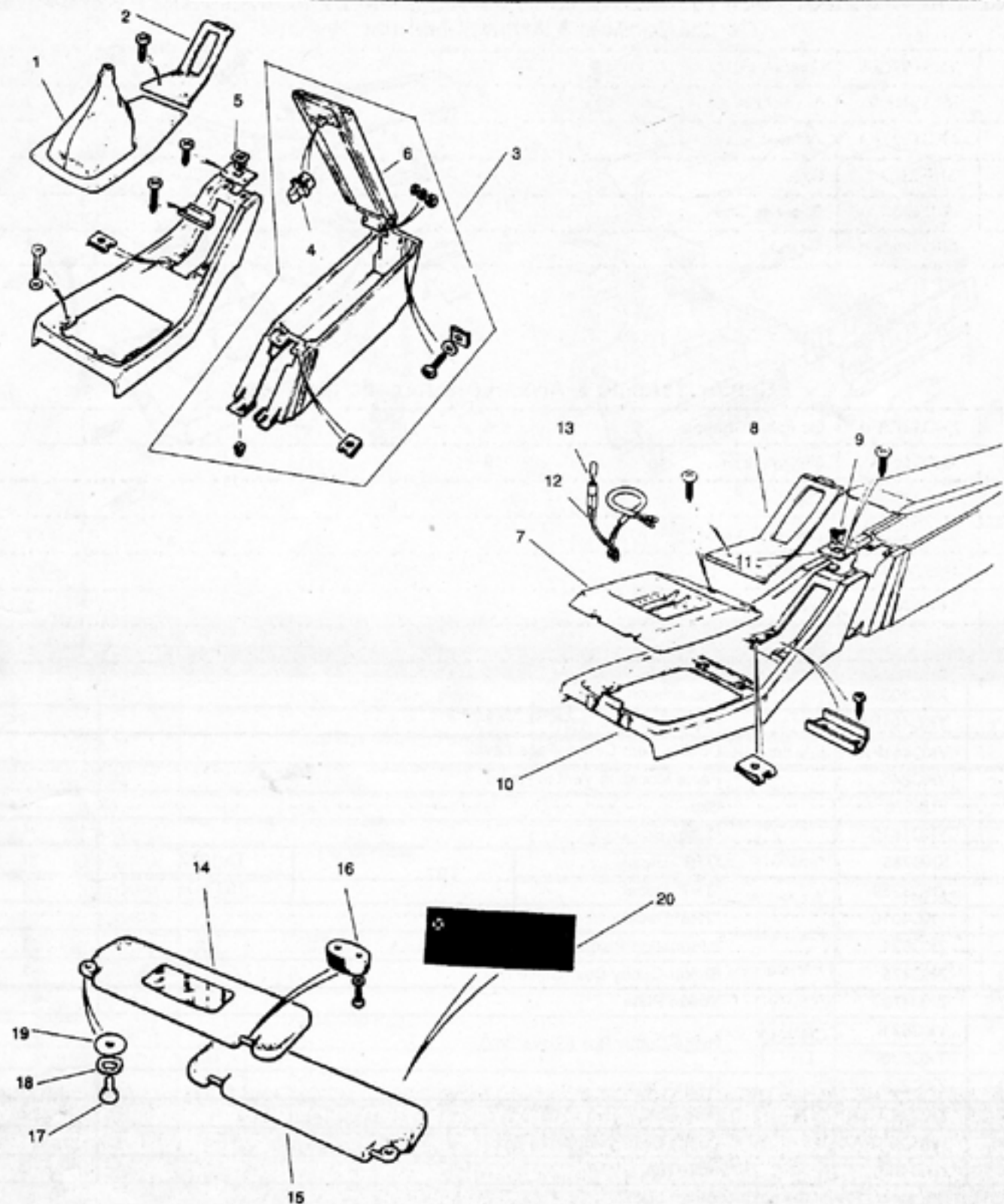
Ill. No.	Part No.	Description	Qty. Req'd.
1	XKC3037	Escutcheon	1
2	YKC401PA	Facia End Vent	1
3	YKC441PA	Double Vent-Center Face Level	1
4	YKC245	Facia Moulding Vent to Radio	1
5	FU2578	Clip	2
6	YKC1610	Cubby Box Lock	1
7	ZKC765	"TR7" Decal	To 1977
8	ZKC3269	"TR7" Decal	1977 On
--	YKC4010	"TR8" Decal	TR8
9	ZKC624	Information Plaque	1
10	ZKC478	Striker-Cubby Box (Glove Box)	1
11	ZKC479	Striker Plate	1
12	YKC531	Hinge-Cubby Box (Glove Box)	RH
	YKC530		LH
13	ZKC239	Hinge Plate	2
14	ZKC99	Prop Rod	2
15	WKC271PA	Cubby Box Door (Glove Box)	1
16	NKC468	Spire Nut	3

NOTE: The suffix "PA" is the color code for black.

If No Model Indication Is Mentioned Part Number Fits Both Coupe & Convertible.

If No Year Is Mentioned Part Number Fits All Models 1975 thru 81.

TR7 & TR8  
CENTER CONSOLES & ARMRESTS



TR7 & TR8  
CENTER CONSOLES & ARMRESTS

Ill. No.	Part No.	Description	Qty. Req'd
<b>Center Console &amp; Armrest-Manual Gearbox</b>			
1	YKC1690PA	Gearshift Boot	1
2	XKC541PA	Console Insert	1
3	XKC1221PA	Armrest Assy.	1
4	GHF1370	Clip	1
5	ZKC470	Receiver Clip	1
6	XKC1201PA	Armrest	1
<b>Center Console &amp; Armrest-Automatic Gearbox</b>			
7	XKC1272PA	Gearshift Console	1
8	XKC541PA	Console Insert	1
9	ZKC470	Clip	1
10	XKC1251PA	Center Console	1
11	ZKC722PA	Retaining Plate	1
12	UKC3701	Lead	2
13	286	Bulb	2
<b>Sun Visors</b>			
14	XKC1152NC	RH Sun Visor	1
15	XKC1822NC	LH Sun Visor	1
16	624201	Sun Visor Retainer	2
17	ZKC446	Knurled Knob	2
18	624201	Waved Washer	2
19	ZKC456	Plain Washer	2
20	UKC7857	Information Decal	1

From ACW7001 On

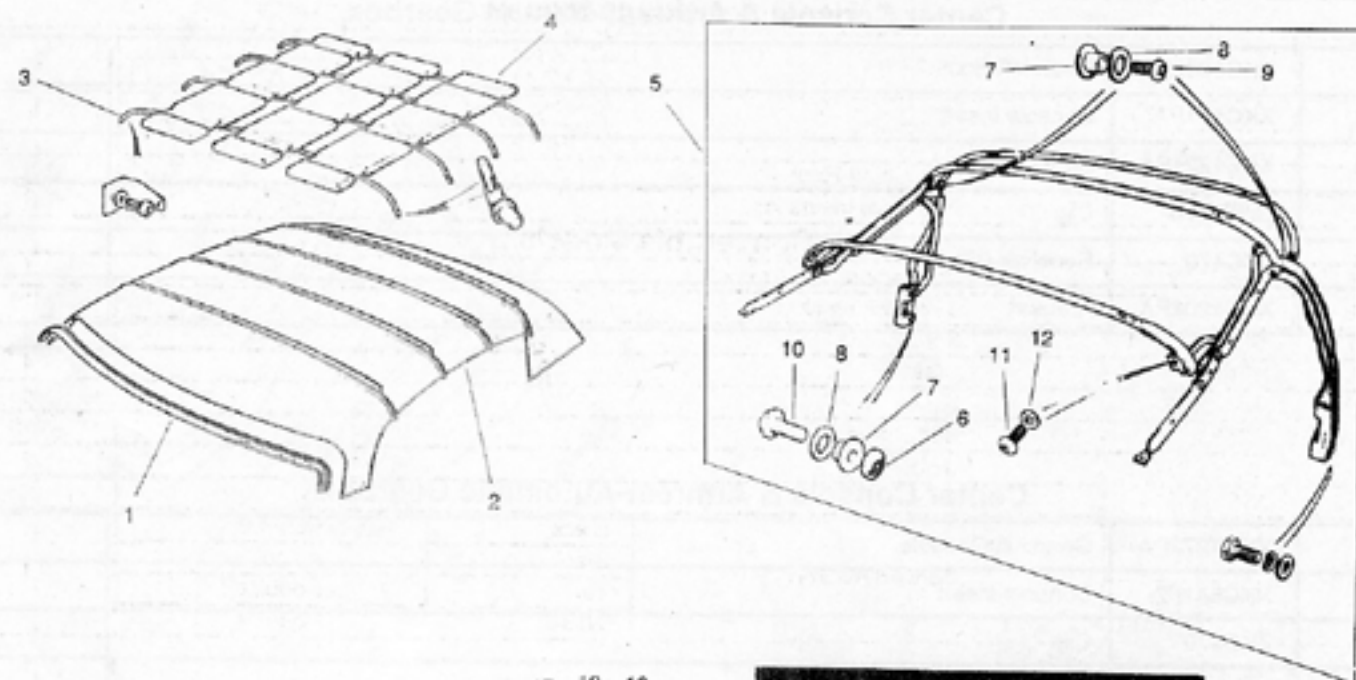
NOTE: The suffix "PA" is the color code for black.  
The suffix "NC" is the color code for white.

*If No Model Indication Is Mentioned Part Number Fits Both Coupe & Convertible.  
If No Year Is Mentioned Part Number Fits All Models 1975 thru 81.*

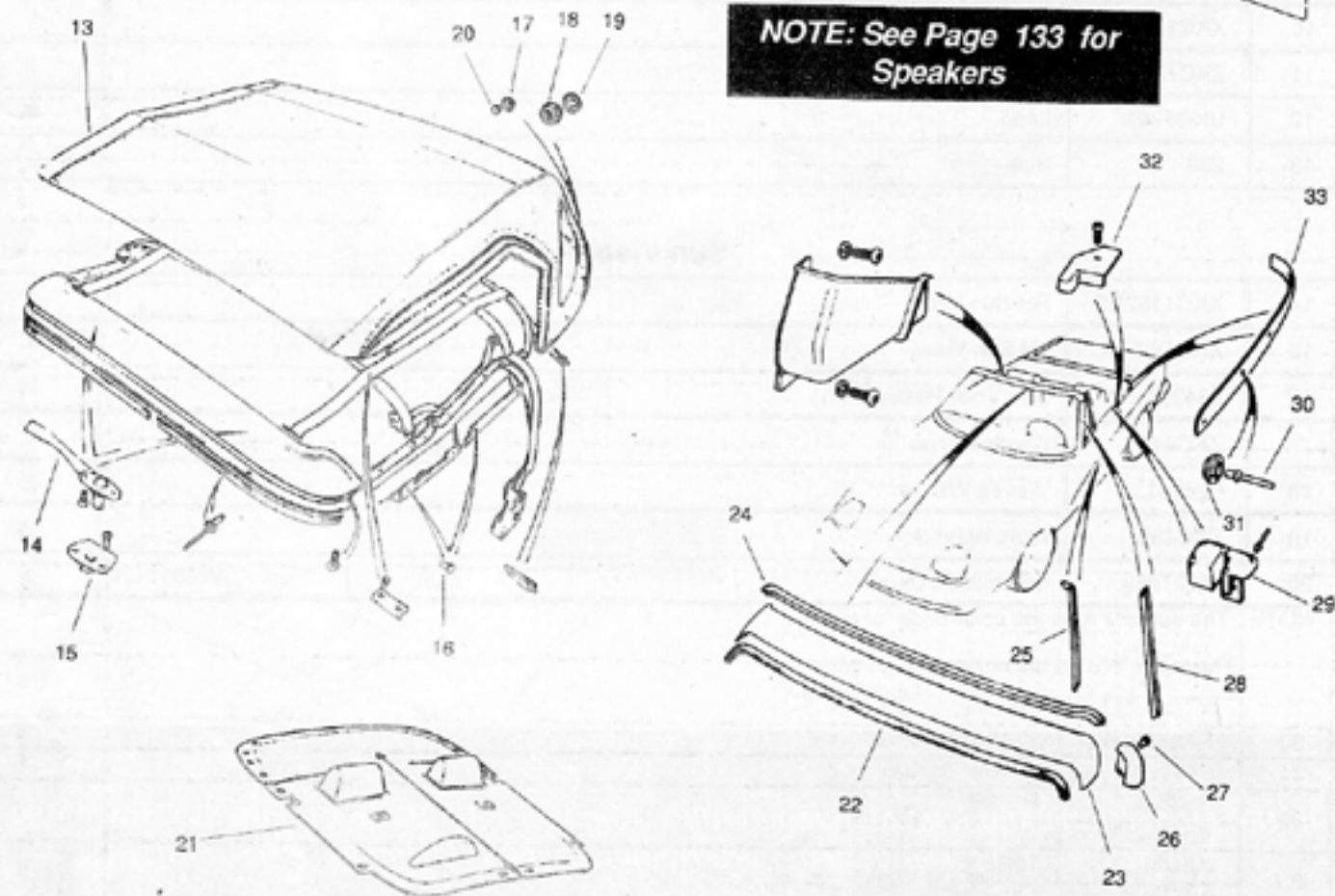


**BODY**

**TR7 & TR8  
HEADLINERS, CONVERTIBLE TOPS, TONNEAU COVERS & COMPONENTS**



**NOTE: See Page 133 for Speakers**



**BODY**

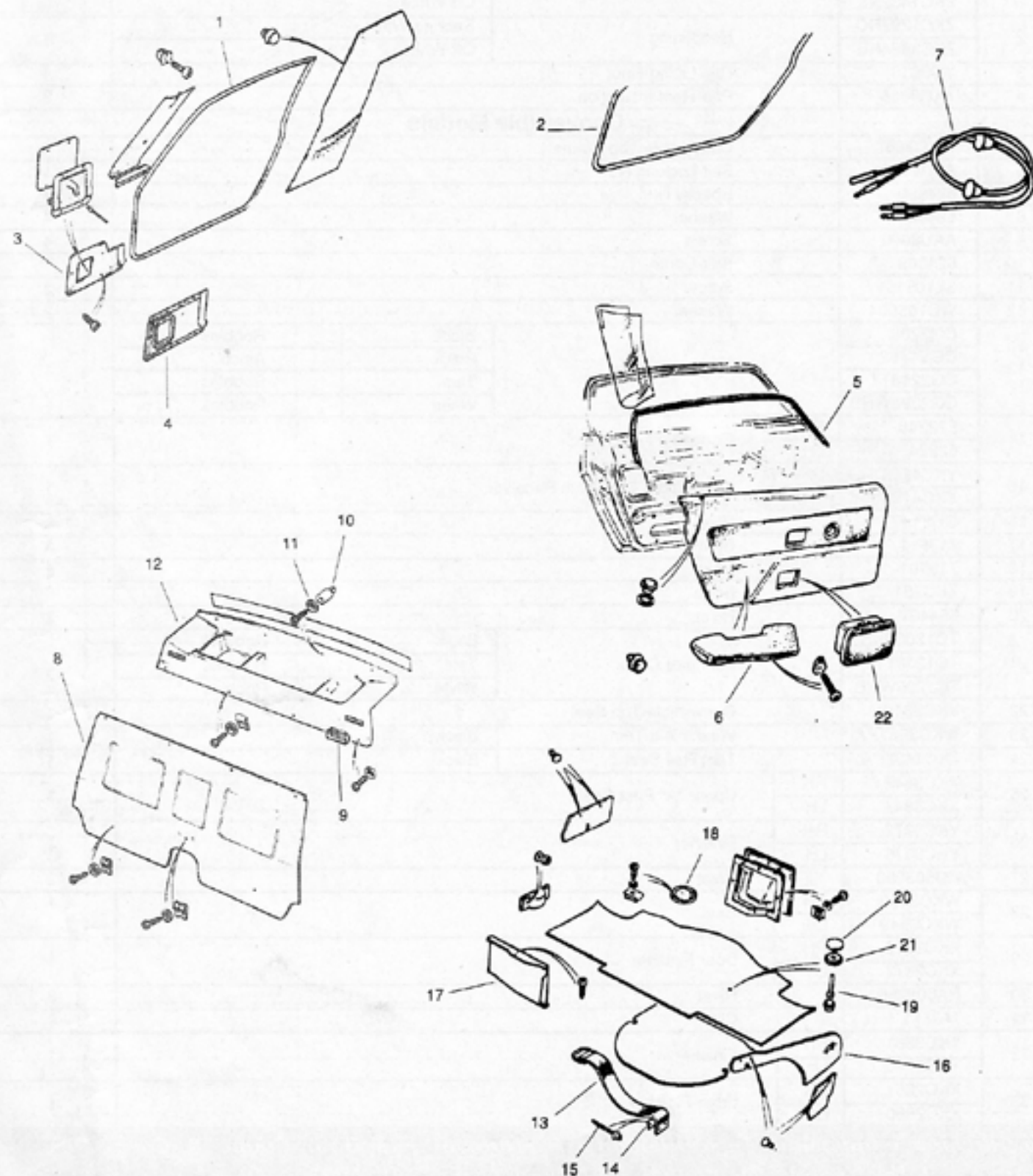
**TR7 & TR8  
HEADLINERS, CONVERTIBLE TOPS, TONNEAU COVERS & COMPONENTS**

Ill. No.	Part No.	Description	Qty. Req'd.
<b>Headliner-Coupe Models</b>			
1	ZKC1432NC	Trim Rail	Sebring White
	ZKC1432NE		Off White
2	ZKC1797NC	Headlining	Sebring White
	ZKC3684NE		Off White
3	YKC917	Rail-Lifting-Roof	4
4	XKC3806	Pad-Roof Insulation	3
<b>Convertible Models</b>			
5	WKC3667	Convertible Top Frame	1
6	AFU1197	Self-Locking Nut	16
7	624580	Special Nut	4
8	624583	Washer	4
9	AAU8093	Screw	4
10	624569	Bolt-Dome	16
11	SL105161	Screw	2
12	WC105004	Washer	2
13	CG2208	Convertible Top	Black Robbins
	CGV1462		Black Amco
	CG2208TT		Tan Robbins
	CG2208WHB		White Robbins
14	622248	RH	Convertible Top Latch
	622247	LH	
15	YKC4196	RH	Convertible Top Latch Receiver
	YKC4196	LH	
16	GHF1477	Rivet	8
17	713511	Stud	2
18	713501	Snap	8
19	ZKC751	Snap	8
20	554407	Rivet	2
21	TC1208BKB	Tonneau Cover	Black Robbins
	TC1208TT		Tan Robbins
	TC1208WHB		White Robbins
22	YKC3610	Convertible Top Seal	1
23	WKC3937PA	Windshield Trim	Black 1
24	ZKC1432PA	Trim Rail Seal	Black 1
25	XKC3848	RH	Upper "A" Post Seal
	XKC3847	LH	
26	YKC3377	RH	Finisher
	YKC3376	LH	
27	RU608253	Rivet	2
28	WKC3950	RH	Seal
	WKC3949	LH	
29	XKC2972	RH	Door Finisher
	XKC2972	LH	
30	RA608255	Rivet	8
31	713511	Clip	8
32	YKC3331	RH	Finisher
	YKC3330	LH	
33	XKC2861	RH	Edge Finisher
	XKC2860	LH	

*If No Model Indication Is Mentioned Part Number Fits Both Coupe & Convertible  
If No Year Is Mentioned Part Number Fits All Models 1975 thru 81*

**BODY**

**TR7 & TR8  
INTERIOR COMPONENTS**



**BODY**

**TR7 & TR8  
INTERIOR**

Ill. No.	Part No.	Description	Qty. Req'd.				
1	WKC627CG*	RH	Door Seal	Coupe Models	To Trim# T4627CG	1	
	WKC621PA	LH			From T4627CG-ACG25001 & ACW30001	2	
	XKC2208PA				From ACG25001 & ACW30001 On		
	WKC3827PA						
2	WKC4102	RH	Door Seal	Convertible Models		1	
	WKC4101	LH					
3	YKC1763AA		Ventilator Tri Board		Black	1	
	YKC1763PA			Beige			
4	YKC1759AA		Ventilator Tri Board		Beige	1975-79	1
5	YKC90		Door Glass Channel		Coupe Models		2
6	RB1204***	RH	Door Armrest			1975 On	1
	RB1205***	LH					
7	UKC5720		Door Lead for Speakers				2
8	XKC781AA		Rear Parcel Shelf		Beige	1975-77	1
	XKC781PA			Black			
	XKC2636AA**			Beige	1977-79		
	XKC2636PA**			Black			
	WKC3922PA			Black	1979 On		
	XKC3588JJ			Navy Blue			
XKC3588AM		Golden Tan					
9	YKC191		Escutcheon-Parcel Tray				1
10	GHF1026		Hardware Nut			1975 On	4
11	ZKC1607		Washer				4
12	WKC401AA		Parcel Shelf		Beige	1975-79	1
	WKC401PA			Black			
	WKC3800AA			Beige	1979 On		
	WKC3800PA			Black			
	WKC4614JJ			Navy Blue			
	WKC4614AM			Golden Tan			
13	ZKC1215		Strap-Spare Wheel Storage				1
14	614685		Strap Fixing Plate				1
15	567278		Pop Rivet				2
16	ZKC2532	RH	Trim Board			From Trim# T1427CG	1
	ZKC2530	LH					
17	XKC2648	RH	Trim Board			1975-79	1
	XKC1550	LH					
	XKC2648	RH			1979 On		
	XKC2647	LH					
18	ZKC182		Shock Absorber Cover			1975 On	1
19	563769		Rivet			1975 On	2
20	553252		Button-Floor Attachment			1975 On	2
21	554517		Socket			1975 On	2
22	YKC970		Ash Tray				2

\*T4627CG is a Body Trim Number.

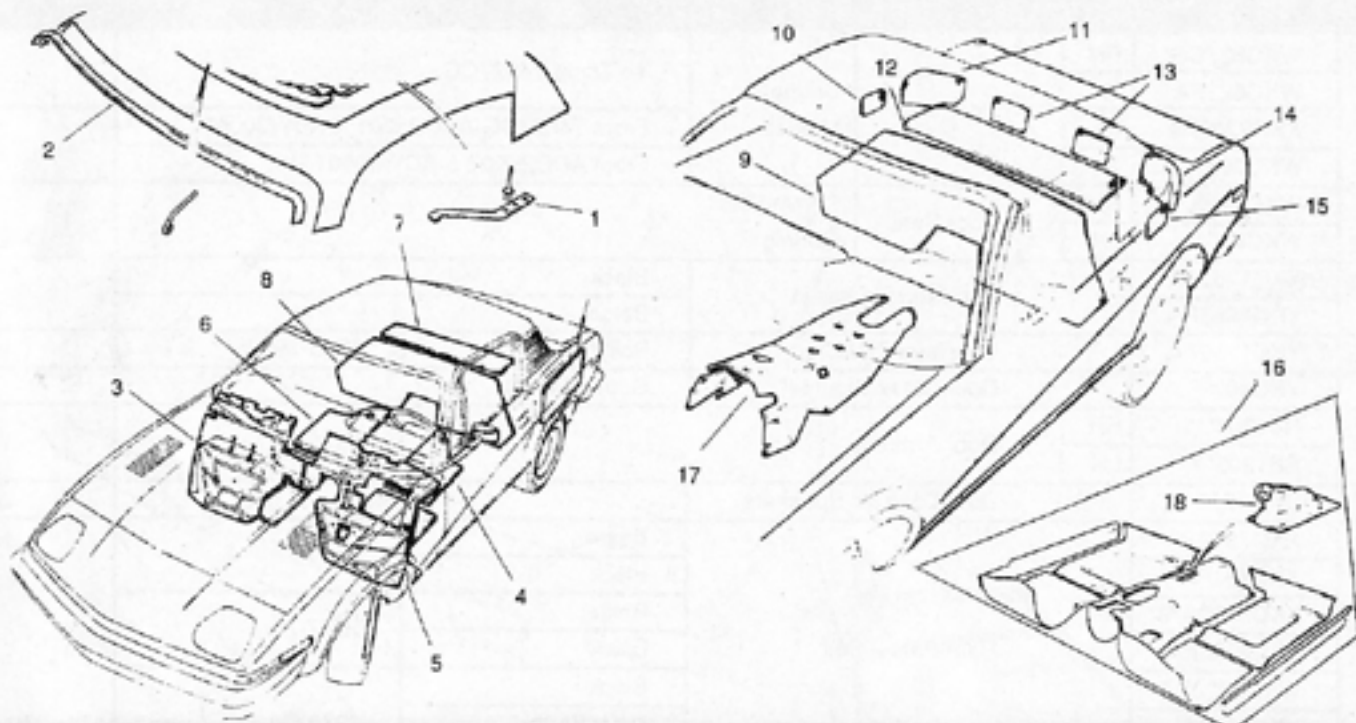
\*\*Models with map light will need: XKC3033LH & XKC3034RH Rear Parcel Tray Bulkhead Trim.

\*\*\*See page 165 for colors

*If No Model Indication Is Mentioned Part Number Fits Both Coupe & Convertible  
If No Year Is Mentioned Part Number Fits All Models 1975 thru 81.*

**BODY**

**TR7 & TR8  
SUN ROOF COMPONENTS, INSULATION PADS & CARPET KITS**

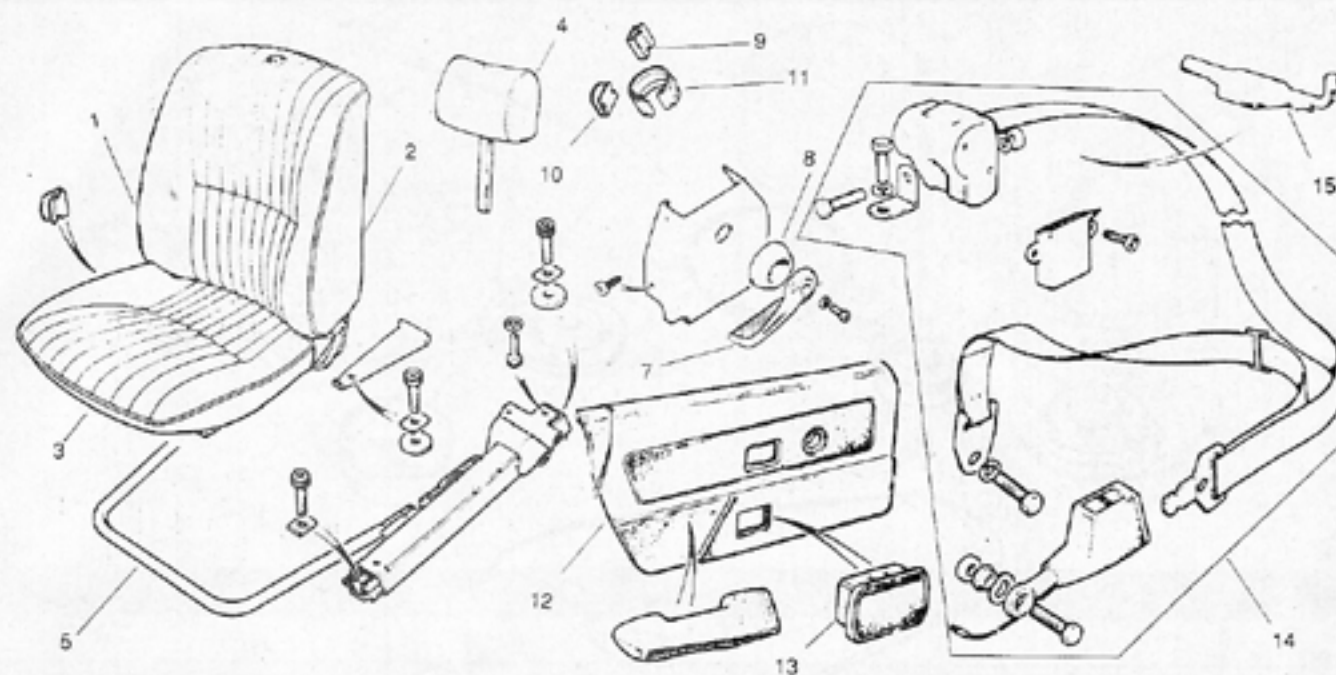


Ill. No.	Part No.	Description	Qty. Req'd.	
<b>Sun Roof Components Coupe Models</b>				
1	ZKC690	RH	Spring-Sun Roof Lifting	1
	ZKC691	LH		
2	ZKC1432NC	Trim Rail Seal	White	1
<b>Insulation Pads Coupe Models</b>				
3	WKC1503	RH Dash Pad Insulation		1
4	YKC1556	Rear Insulation Pad		1
5	WKC1502	LH Dash Pad Insulation		1
6	YKC1557	Rear Insulation Pad		1
7	ZKC1431	Fuel Tank Insulation		1
8	YKC1609	Insulation Pad		1
<b>Insulation Pads Convertible Models</b>				
9	WKC3308	Rear Insulation Pad		1
10	ZKC3296	Corner Insulation Pad		1
11	YKC3823	Corner Insulation Pad		1
12	YKC3632	Rear Insulation Pad		1
13	ZKC3736	Shelf Insulating Pad		1
14	YKC3823	Corner Insulation Pad		1
15	ZKC3296	Corner Insulation Pad		1
<b>Carpet Kits</b>				
16	TR7CP820	Biscuit	Coupe	1
	TR7CP801	Black		
	TR7RD820	Biscuit	Convertible	
	TR7RD801	Black		
17	XKC2931	Transmission Tunnel Cover		1
18	YKC1690	Gear Lever Gaiter	4 Speed	1
	XKC3668	Gear Shift Gaiter	5 Speed	

Our Carpet Kits include enough pieces to replace all of your interior carpets. They are made of High Density Polyester pile (800 fibres per square inch). Easy to install. Glue not included.

**BODY**

**TR7 & TR8  
SEATS & DOOR PANELS**



Ill. No.	Part No.	Description	Qty. Req'd.	
<b>Seats &amp; Components</b>				
1	RB1206*	RH	Complete Seat Assy.	1
	RB1207*	LH		
2	RB1208	RH	Seat Frame Only	1
	RB1209	LH		
3	RB1211*	RH	Seat Base-Cover Only	1
	RB1212*	LH		
4	RB1210*		Headrest	2
5	XKC218	RH	Seat Runner	1
	XKC217	LH		
6	ZKC141		Seat Adjusting Bar	2
7	717105		Seat Handle	2
8	YKC211PA		Escutcheon	2
9	608817		Seat Cover Clip	42
10	610520		Clip	10
11	608862		Clip	10
<b>Door Panels</b>				
12	RB1202*	RH	Door Panel	1
	RB1203*	LH		
--	GHF1222		Door Panel Clip	A/R
13	YKC970		Ash Tray	2
<b>Seat Belts</b>				
14	YKC919	RH	Seat Belt Assy.	1
	YKC918	LH		
15	YKC839		Sleeve-Support Bar	2

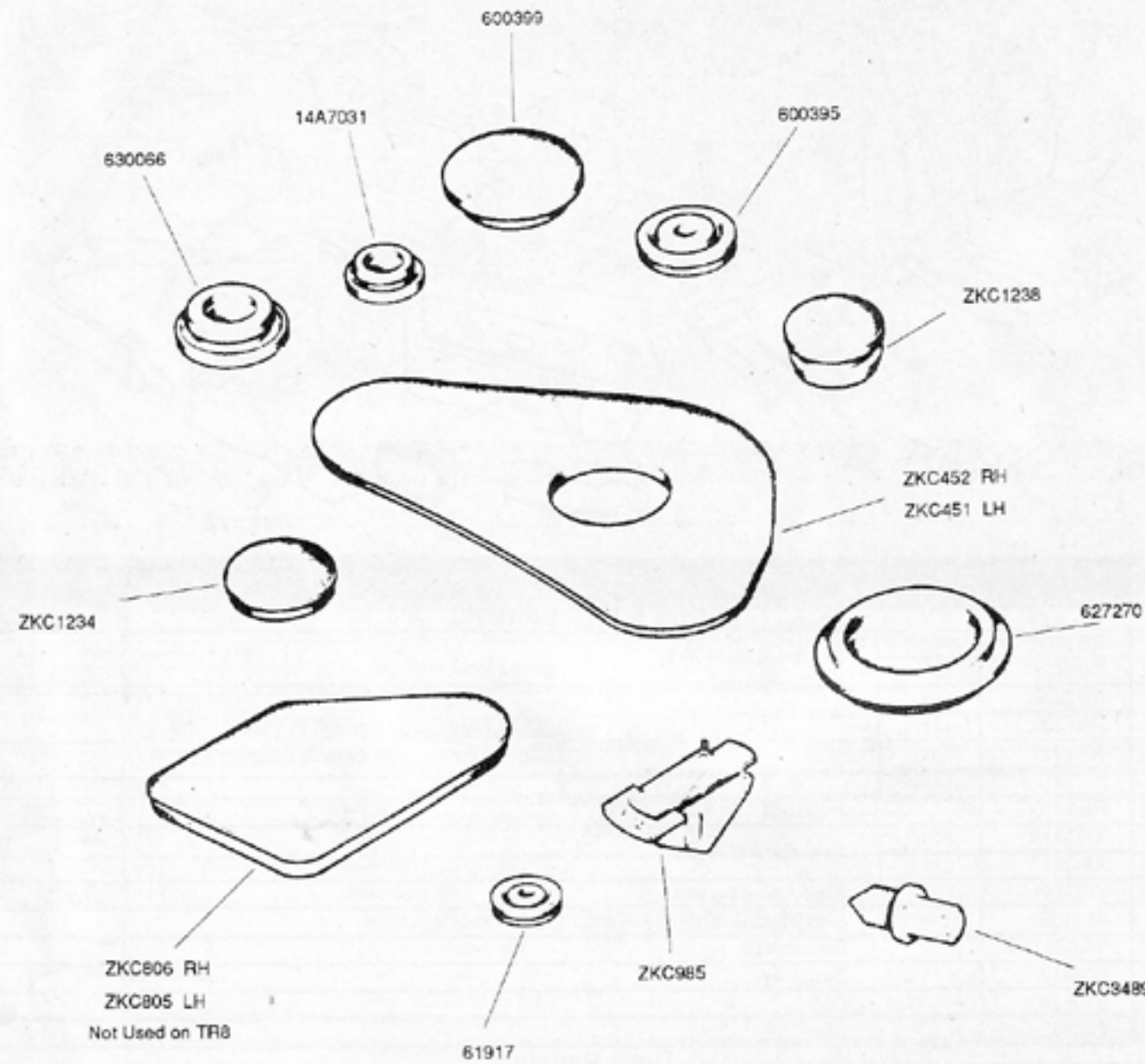
\*The following suffixes are color codes:

AA=Beige      AAV=Beige Velour      PA=Black      PAV=Black Velour      RH=Navy Blue Check  
 RG=Golden Tan Check      RA=Red & Black Check      RB=Green & Black Check

**BODY**

**TR7 & TR8  
BLANKING PLUGS & GROMMETS**

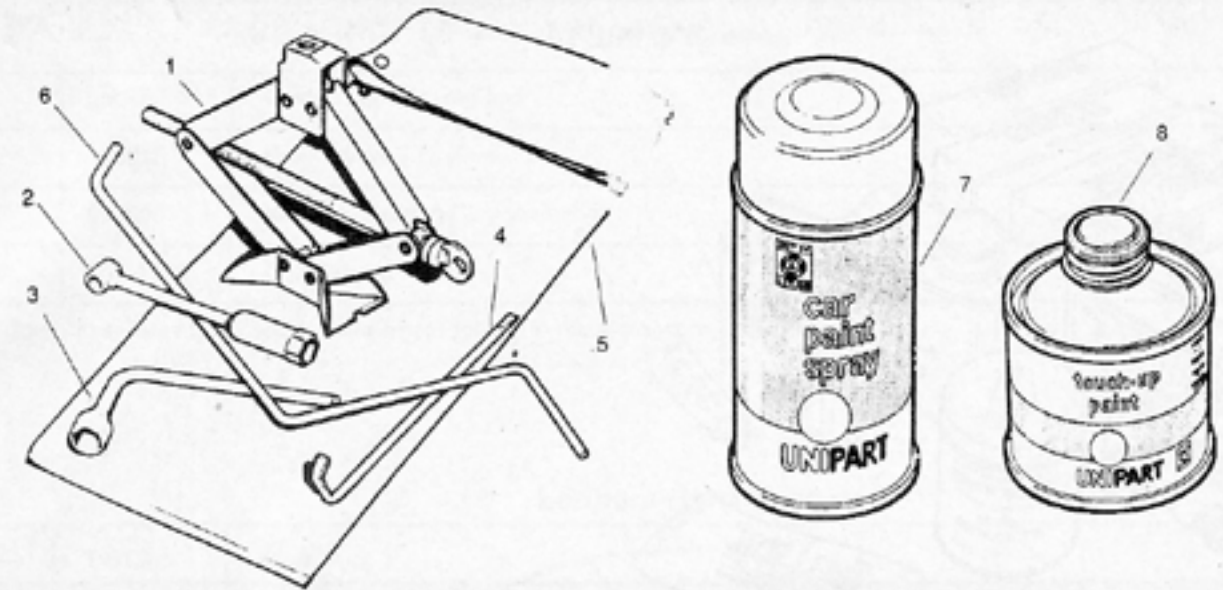
Ill. No. Part No. Description Qty. Req'd.



If No Model Indication Is Mentioned Part Number Fits Both Coupe & Convertible.  
If No Year Is Mentioned Part Number Fits All Models 1975 thru 81.

**BODY**

**TR7 & TR8  
TOOLS & ACCESSORIES**



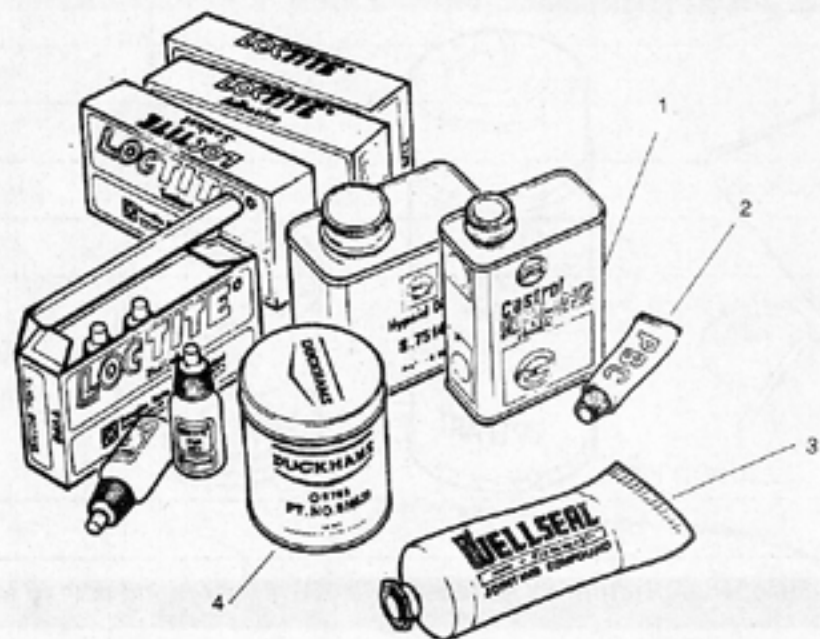
Ill. No. Part No. Description Qty. Req'd.

Tools			
1	311348	Jack	1
2	155710	Wrench	TR7
	CRC1569		TR8
3	138514	Wrench	1
4	152166	Pry Bar	TR7
	565443		TR8
5	821448	Tool Roll Pouch	1
6	UKC4389	Jack Handle	1

Touch-Up Paints					
7	GAP153	White	PNM2067A	Pimento	Aerosol Can
	GAP301	French Blue	GAP302	Carmine	
	GAP304	Mimosa	GAP376	Maple	
	GAP378	B.R.G. (1975)	GAP379	Delit	
	GAP382	Topaz	GAP383	Java	
8	GTU153	White	GTU277	Pimento	1/4 Pint Can
	GTU301	French Blue	GTU302	Carmine	
	GTU304	Mimosa	GTU376	Maple	
	GTU378	B.R.G. (1975)	PNM6041A	Delit	
	GTU382	Topaz	GTU383	Java	

If No Model Indication Is Mentioned Part Number Fits Both Coupe & Convertible.  
If No Year Is Mentioned Part Number Fits All Models 1975 thru 81.

TR7 & TR8  
ACCESSORIES

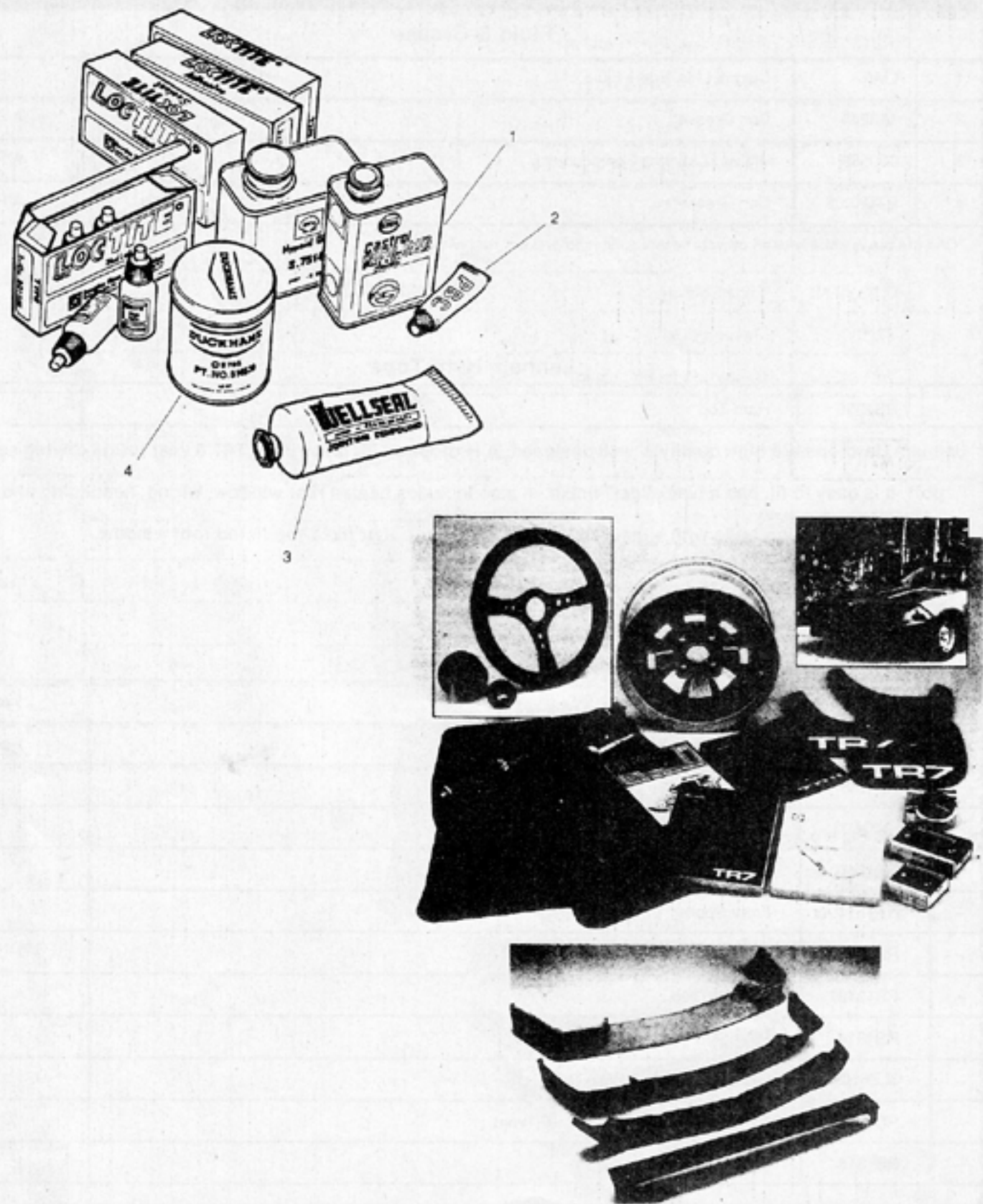


TR7 & TR8  
ACCESSORIES

Ill. No.	Part No.	Description	Qty. Req'd.
<b>Fluid &amp; Grease</b>			
1	LMA	Castrol LMA Brake Fluid	A/R
2	153245	Con Grease*	A/R
3	600569	Wellseal Jointing Compounding	A/R
4	RTC1008	Con Grease*	A/R
*Con grease is usually used on wire wheel splines to prevent rust or seizure.			
<b>Lenham Hard Tops</b>			
--	RB1356	Hard Top	1
<p>Lenham Hardtops are high quality &amp; well designed. A Hrdtop will increase your TR7/8 year round driving support. It is easy to fit, has a black "gel" finish. It also includes heated rear window, wiring, headlining and mounting bolts with either removable glass sunroof or fixed-top tinted roof window.</p>			
<b>Accessories</b>			
--	RB1306	Front Mud-Flaps	1 pr.
--	RB1307	Rear Mud-Flaps	1 pr.
--	RB1397	Mud Flaps-Fitting Kit (For 2 Pr.)	1
--	GAC603	Rubber Footwell Mats	2
--	RB1310	Body Style Kit Complete	1
--	RB1311	Front Spoiler	1
--	RB1312	RH Side Skirt	1
--	RB1313	LH Side Skirt	1
--	RB1314	Rear Skirt	1
--	GLZ610A	Front Spoiler (BL Plastic Type)	1
--	RB1315	Front Spoiler (Fibreglass Rally Type)	1
--	RB1316	Spoiler Boot	1

If No Model Indication Is Mentioned Part Number Fits Both Coupe & Convertible.  
If No Year Is Mentioned Part Number Fits All Models 1975 thru 81.

TR7 & TR8  
ACCESSORIES



TR7 & TR8  
ACCESSORIES

Ill. No.	Part No.	Description	Qty. Req'd.
--	RB1317	Front Flared Wheel Arches	1 pr.
--	RB1318	Rear Flared Wheel Arches	1 pr.
--	X128	Workshop Manual-Robert Bentley	TR7 1975-81
	YTH7	Drivers Handbook-Robert Bentley	TR7 1975-81
	YTP7	Parts Catalog-Robert Bentley	TR7 1975-79
	YTP1		TR7 1979-81
		RTC9020B	Parts Catalog
--	RB1394	Rear Fog Light	2
--	RB1395	Bracket Kit for Fog Lamps	2
--	M70	Covercraft Bra*	TR7 1
	M71		TR8 1
--	C50002	Covercraft Car Cover	Polycotton 1
	C80002		Technalon 1
--	See Pg. 134	Lumention Electronic Ignition	1
--	RKC2111	Alloy Road Wheels	Black Standard Type 4
	RB1378 **	Alloy Road Wheels (Special)	Specify Black, Gold Or Silver
--	RB1390	Custom Steering Wheel With Boss	1
--	RB1332	Halogen Headlamp Conversion Kit	1

\*A Covercraft Bra is advisable to protect the Hood on your TR7 & TR8. The wedge design easily gets marked with normal road use.

\*\* RB1378B=Black  
RB1378G=Gold  
RB1378S=Silver

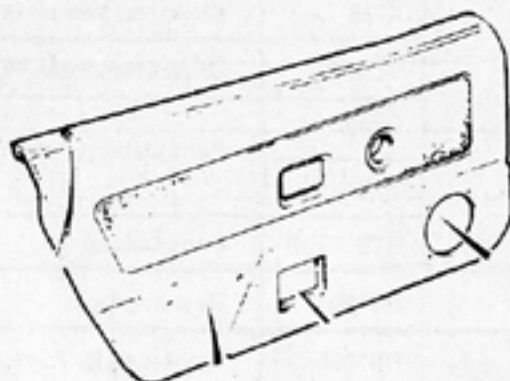
If No Model Indication Is Mentioned Part Number Fits Both Coupe & Convertible  
If No Year Is Mentioned Part Number Fits All Models 1975 thru 81

# Addendum

## TR7 Door Panels

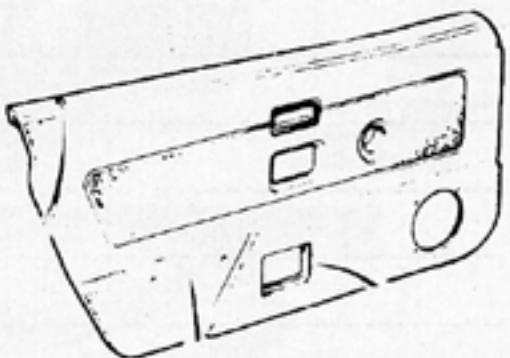
### Early Type

XKC2754RAA	LH	Red & Black
XKC2755RAA	RH	
XKC2754KAB	LH	Green & Black
XKC2755RAB	RH	
XKC2111AAA	LH	Beige
XKC2112AAA	RH	
XKC2111PA	LH	Black
XKC2112PAA	RH	



### Late Type

XKC2742AA	LH	Beige
XKC2743AA	RH	
XKC2742PA	LH	Black
XKC2743PA	RH	
XKC2742RA	LH	Red & Black
XKC2743RA	RH	
XKC2742RB	LH	Green & Black
XKC2743RB	RH	
WKC4795RH	LH	Navy Blue Check
WKC4796RH	RH	
WKC4795RG	LH	Golden Tan Check
WKC4796RG	RH	



# INDEX

A/C Hose.....	101, 103, 105, 106	Brush Set-Starter.....	107	Cylinder Head.....	11
A/C Switch.....	119	Bulb.....	113	Cylinder Head Stud Kit.....	9
A/C Unit.....	101	Buld Holder.....	119	Dash Panel.....	102
A/C Water Valve.....	104	Bump Stop.....	55	Decal.....	145, 155
Accelerator Cable.....	67	Bumper.....	147	Demister Mesh.....	156
Accelerator Pedal.....	67	Button & Pawl Assy.-Handbrake.....	59	Diaphragm-Carburettor.....	71
Accessories.....	169	Caliper.....	57	Diode.....	129, 131
Aerial.....	133	Caliper Seal Kit.....	57	Dipstick.....	3
Air Box Assy.....	73	Camgear.....	9	Dipstick Tube.....	3
Air Cleaner Assy.....	63	Cam Plate.....	37	Directional Switch.....	121
Air Cleaner Hose.....	63	Cam Sprocket.....	11	Distributor.....	110
Air Cleaner Solenoid.....	63	Cam Shaft.....	7, 11	Distributor Cap.....	110
Air Filter.....	63	Car Cover.....	171	Distributor Drive Gear.....	11
Air Flow Meter.....	75, 79	Carbon Canister.....	85	Door Bottom.....	143
Air Pump.....	87	Carburettor.....	69	Door Handle.....	151
Alloy Wheel.....	55	Carburettor Butterfly.....	69	Door Hinge.....	137, 151
Alternator.....	107	Carburettor Damper.....	71	Door Mirror.....	149
Angle Drive.....	117	Carburettor Kit.....	69	Door Panel Clip.....	165
Antenna.....	145	Carburettor Mount.....	69, 71	Door Panel-Interior.....	165
Anti-Flash Cover.....	110	Carpet Kit.....	164	Door Seal.....	153
Anti-Roll Bar.....	51, 55	CEI Kit.....	110	Door Skin.....	151
Anti-Run Valve.....	85	Center Console.....	156, 159	Doors.....	151
Armrest.....	159, 165	Check Valve-Brakes.....	58	Drain Plug.....	11, 45
Ash Tray.....	165	Choke Cable.....	67	Drain Tap.....	11
Automatic Gearbox Housing.....	43	Choke Warning Switch.....	57	Drive Ballast.....	110
Auxiliary Air Valve.....	73	Chopper.....	134	Drive End Bearing Kit-Alternator.....	110
Ballast Resistor.....	110	Cigar Lighter Assy.....	119	Drive Gear.....	111
Battery Tray.....	137	Cigarette Lighter.....	119	Drive Kit-Starter.....	107
Battery "J" Bolt.....	133	Circuit Breaker.....	125	Duct Hose-Air Cleaner.....	63
Battery Cable.....	133	Clutch Gear.....	27	Dust Boot-Brakes.....	57
Battery Gauge.....	117	Clutch Cover.....	23	Dust Boot-For Strut.....	53
Battery Rod.....	133	Clutch Hose.....	60	Dust Boot-Handbrakes.....	59
Battery Tray.....	133	Clutch Kit.....	23	EGR Valve.....	83
Belt-Air Pump.....	87	Clutch Master Cylinder.....	60	Electric Cooling Fan Motor.....	97
Blankings Plugs.....	167	Clutch Pedal Pad.....	60	Electronic Control Unit.....	133
Bleed Nipples-Brakes.....	57	Clutch Plate Kit.....	41	Emblem.....	153
Body Harness.....	127, 129, 131	Clutch Slave Cylinder.....	60	Engine & Gearbox Mounts.....	21
Body Style Kit.....	169	Coil.....	110	Engine Breather Adaptor.....	85
Body Stripe.....	153, 155	Cold Start Injector.....	73, 79	Engine Harness.....	127, 129, 131
Bonnet Buffer.....	139	Collapsible Spacer.....	47	Engine Mounting Bracket.....	21
Bonnet Hinge.....	139	Collar.....	13	Engine Restraint Cable.....	13
Bonnet Hook.....	139	Compressor Harness.....	131	Engine Stabilizer Bracket.....	13
Bonnet Prop.....	139	Compressor-A/C.....	103, 104	Engine Tie Rod.....	13
Bonnet Seal.....	139	Condensor-A/C.....	97	Escutcheon-Interior.....	157
Bra.....	169	Connecting Rod.....	3	Evaporator Kit.....	104
Brake Adjuster Tension Spring.....	57	Constant Pinion Bearing.....	31	Exhaust.....	88, 89
Brake Band.....	39	Constant Pinion Shaft.....	25	Exhaust Manifold.....	17
Brake Disc Dust Shield.....	53	Convertible Tops.....	161	Exhaust Valve.....	7, 11
Brake Drum.....	57	Coolant Level Indicator.....	123	Expansion Valve-A/C.....	105, 107
Brake Fluid-Castrol.....	169	Cotter.....	13	Facia Panel.....	156
Brake Master Cylinder.....	58	Countershaft.....	27	Facia Switch.....	121
Brake Pads.....	57	Courtesy Light Switch.....	123	Facia Top Panel.....	156
Brake Pipe Mounting Clip.....	58	Covercraft Bra.....	169	Fan Motor.....	105
Brake Rotor.....	57	Covercraft Car Cover.....	169	Fan Bearing & Pulley.....	97
Brake Servo.....	58	Crank Gear.....	9	Fan Bell.....	97
Brake Servo Repair Kit.....	58	Crankshaft Nut.....	11	Fan Blade.....	97
Brake Shoe Set.....	57	Camshaft Sprocket.....	11	Fan Clutch.....	97
Brake Tools.....	61	Crossbrace.....	21	Fan Motor.....	106
Brush Set-Alternator.....	109	Crossmember-Ft. Suspension.....	51	Fan Shroud.....	93, 105, 106
		Crossmember Mounting Bush.....	51		
		Cut-Out Switch.....	125		

## INDEX

Fan-Alternator.....	109	Hazard Unit Kit.....	125	Kickdown Cable.....	39	
Fender.....	139, 141	Hazard Warning Switch.....	119,	Knee Pad.....	156	
Filler Neck-Fuel.....	65	121	Latch Mechanism.....	145	Layshaft Cluster Gear.....	33
Filter-Emission Control.....	87	Head Gasket.....	7, 13	Lifter.....	13	
Filter.....	22	Head Gasket Set.....	7, 13	Lock Mechanism.....	151	
Fitting Kit-Lumenition.....	134	Header Panel.....	131	Lower Ball Joint.....	51	
Flange-Axle.....	47	Headlamp.....	113	Lower Gasket Set.....	7, 13	
Flasher Unit.....	125	Headlamp Actuator Motor.....	113	Lower Link.....	51, 55	
Flywheel Lock Plate.....	3	Headlamp Bucket.....	113,	Lower Sill.....	143	
Fog Lamps.....	169	139	Lower Steering Knuckle.....	48	Lumenition Electric Ignition.....	134
Fog Light Switch.....	119	Headlamp Door.....	113	Main Bearing Set.....	3, 11	
Forward Gear.....	41	Headlamp Hinge Assy.....	113	Main Harness.....	127, 129,	
Freeze Plug.....	3, 11	Headlamp Relay.....	125	131	Mainshaft.....	29, 33
Front Brake Band.....	39	Headlining.....	161	Map Lamp.....	114	
Front Clutch Hub.....	41	Heat Mass Assy -Carbs.....	61	Master Light Switch.....	119	
Front Fog Lamp.....	114	Heater & A/C Unit.....	101	Mats-Rubber Footwell.....	169	
Front Hub.....	153	Heater Choke.....	161	Metering Needle.....	69, 71	
Front Rubber Mounting.....	21	Heater Feed Hose.....	99	Mirrors.....	149	
Front Wheel Bearing kit.....	53	Heater Hoses.....	99	Miscellaneous Switches.....	123	
Front Wing Lower Repair Panel.....	143	Heater Knob.....	102	Moulding.....	153	
Fuel Filter.....	77, 81,	Heater Matrix.....	99	Mud-Flaps.....	169	
85	Heater Motor.....	99	Nozzle-Windshield Washers.....	115		
Fuel Gauge.....	117	Heater Pipe.....	99	Non-Return Valve.....	73	
Fuel Injector.....	75, 79	Heater Return Hose.....	89	Number Plate Lamp.....	114	
Fuel Pipe.....	77	Heater Unit.....	101	Oil Cooler.....	91	
Fuel Pump.....	65, 77,	Heater Valve.....	99, 104	Oil Cooler Pipe.....	91	
81	Heater Wiring Harness.....	99	Oil Cooler Supply Tube.....	39		
Fuel Pump Housing.....	81	Heatshield-Air Cleaner.....	63	Oil Dipstick.....	3	
Fuel Pump Mount.....	77	Heatshield-Fuel System.....	79	Oil Filler Cap.....	13	
Fuel Rail Assy.....	75	Hood.....	139	Oil Filter.....	3, 13	
Fuel Tank.....	65	Hood Release.....	139	Oil Pan.....	39	
Fuel Tank Sending Unit.....	65, 123	Hood Spring.....	139	Oil Pan Gasket.....	37	
Fuel Trap.....	83	Horn.....	123	Oil Pipe Clamp.....	91	
Full Wheel Cover.....	55	Horn Relay.....	123	Oil Pressure Switch.....	3, 13,	
Fuse.....	125	Hose-Oil Cooler.....	91	123	Oil Pump.....	13
Fuse Box.....	125	Hub Assy.....	45	Oil Pump Gear.....	13	
Fuse Box Cover.....	125	Hydraulic Tensioner.....	9	Oil Pump-Gearbox.....	39	
Fuse Holder.....	127, 129	Idler Gear.....	9	Oil Relief Valve.....	13	
Gaiter.....	49	Ignition Switch.....	121	Optical Switch.....	134	
Gas Cap.....	65	Ignition Amplifier.....	110	Outer Hub Seal.....	45	
Gear-Diff. Bearing.....	45	Inertia Switch.....	123	Outer Sill.....	137	
Gearbox Harness.....	127, 129,	Inhibitor Switch-Fuel Injection.....	71, 75	Outer Wheel Bearing.....	53	
131	Injector Ring.....	75, 79	Outer Wheel Housing.....	141		
Gearbox Oil Pump.....	39	Inlet Valve.....	13	Overflow Bottle.....	95	
Gearbox Rubber Mounting.....	21	Inner Hub Seal.....	45	Overflow Tank.....	95	
Gearshift Boot.....	31, 159	Inner Sill.....	137	Panel Light Switch.....	121	
Gearshift Bushing.....	25	Inner Tie Rod.....	49	Parcel Shelf.....	163	
Gearshift Console.....	159	Inner Wheel Bearing.....	53	Parcel Tray.....	163	
Gearshift Lever.....	25	Inner Wheel Bearing Seal.....	53	Parking Brake Rod.....	43	
Gearshift Lever & Knob Assy.....	31	Input Bearing.....	31	Parts Catalog.....	169	
Governor Assy.....	41	Input Shaft.....	31, 41	Pedal Pivot Shaft-Clutch.....	60	
Grease Cap-Ft. Suspension.....	53	Inside Mirror.....	149	Pedal Return Spring-Clutch.....	60	
Grille.....	153	Insulation Pad.....	164	Pilot Bushing.....	3, 11	
Grommets.....	166	Intake Manifold.....	15, 17	Pilot Tool.....	23	
Guide Rails.....	9	Intake Valve.....	7	Pistons.....	5	
Halfshaft.....	45, 47	Interior.....	163	Planetary Set.....	41	
Handbook-Drivers.....	169	Interior Lamp.....	114			
Handbrake Cable.....	59	Interlock Ball.....	33			
Handbrake Grip.....	59	Interlock Spool.....	33			
Handbrake Mechanism.....	59	Jack.....	167			
Handbrake Switch.....	59	Jack Handle.....	167			

## INDEX

Plenum Chamber-Fuel Injection.....	79	Solenoid Throttle-Fuel Injection.....	71, 75	Transfer.....	153, 155
Plenum Tube-Fuel Injection.....	79	Solenoid Valve.....	73	Tread Plate.....	153
Potentiometer.....	79	Solenoid-Starter.....	107	Trim.....	153, 155
Power Module.....	134	Spark Plug.....	111	Trim Board.....	163
Power Steering Pump.....	49	Speaker Assy.....	133	Trim Rail.....	161
Power Steering Rack.....	49	Speedo Driving Gear.....	41, 43	Trimmer Screw Kit.....	113
Pressure Plate.....	23	Speedo Gear.....	27	Trunk Floor.....	141
Pressure Proportioning Valve.....	58	Speedo Gear Bearing.....	43	Trunk Hinge.....	145
Pressure Regulator.....	75	Speedo Pinion.....	25, 31	Trunk Lid.....	145
Probe-Cooling.....	95	Speedo Pinion Housing.....	25	Trunk Lock.....	145
Pry Bar.....	167	Speedometer.....	117	Trunk Panel.....	141
Pulley-Alternator.....	109	Spindle-Fuel System.....	79	Upper Cable-Speedometer.....	117
Push Rod.....	13	Spoiler.....	155,	Upper Column-Steering.....	48
Rack & Pinion.....	49	169	Upper Link.....	55	
Rack Seal Kit.....	49	Spring.....	53	Upper Strut Mounting.....	53
Radiator.....	93	Spring Seat.....	5, 55	Vacuum Hose-Brakes.....	58
Radiator Cap.....	95	Starter.....	107	Vacuum Hose-Fuel System.....	83
Radiator Hoses.....	93	Starter Relay.....	125	Vacuum Unit.....	111
Radiator Mounting Bracket.....	93	Steady Rod Bolt.....	21	Valance.....	139
Radiator Support.....	93	Steady Rod Bracket.....	21	Valve Adjusting Shim.....	5, 9
Ratchet.....	59	Steady Rod Bush.....	21	Valve Cover Gasket.....	5
Rear Brake Band.....	39	Steering Arm.....	51	Valve Guide.....	5, 13
Rear Deck Assy.....	141	Steering Column Switch.....	48, 121	Valve Keepers.....	5
Rear Engine Mount.....	21	Steering Shaft.....	48	Valve Regulator-Fuel Injection.....	75
Rear Main Seal.....	11	Steering Wheel.....	48	Valve Seat.....	13
Rear Wing Lower Repair Panel.....	143	Stop Light Switch.....	123	Valve Spring.....	13
Receiver Drier.....	105	Strut Cartridge.....	53	Vent Knob.....	102
Rectifier-Alternator.....	109	Sun Roof Components.....	164	Vent Lever.....	102
Regulator.....	107	Sun Visor.....	159	Ventilator.....	163
Release Fork.....	23	Surge Protection Device.....	109	Vertical Link & Shock Tube.....	51
Repair Panels.....	143	Synchro.....	27, 31	Vibration Damper.....	11
Reverse Idler Gear.....	27	Synchro Hub.....	25, 27,	Waist Seal.....	151
Reverse Lamp Switch.....	123	31	Washer Bottle Assy.....	115	
Reverse Operating Lever.....	35	Synchro Ring.....	25	Waterpump.....	97
Rheostat Knob.....	119	"T"-Piece-Emission Control.....	85	Wheel Arch.....	137
Ring & Pinion.....	45, 47	"T"-Piece-Fuel System.....	83	Wheel Arch-Flared.....	171
Ring Gear.....	3, 41	Tachometer.....	117	Wheel Badge.....	55
Road Spring.....	55	Tail Shaft Housing.....	37	Wheel Bearing Kit.....	45
Road Wheel.....	55	Tappet.....	5	Wheel Cylinders.....	57
Rocker Arm.....	13	Temperature Compensator.....	69	Wheelbox Bushing Kit.....	115
Rod Bearing Set.....	119	Temperature Gauge.....	117	Window Crank Handle.....	151
Roof Insulation.....	161	Thermo Resistor-A/C.....	104	Windscreen.....	149
Rotor Electrical.....	110	Thermostat.....	97	Windshield.....	149
Rubber Pad-Cooling.....	95	Thermostatic Fan Control Switch.....	93	Windshield Finisher.....	149
Seat Assy.....	165	Throttle Linkage Rod.....	73	Windshield Washer Motor.....	115
Seat Belt Assy.....	165	Throttle Mount.....	71	Wiper Arm.....	115
Seat Frame.....	165	Throttle Rod.....	67	Wiper Blade.....	115
Seat Runner.....	165	Throttle Valve Assy.....	77	Wiper Motor.....	115
Seat Sensor Switch.....	123	Throttle Valve Switch.....	77	Wiper Motor Gear.....	115
Selector Fork.....	25	Throw-Out Bearing.....	23	Wiper Rack.....	115
Selector Fork Plate.....	35	Thrust Washer Set.....	3	Wire Clip.....	111
Selector Shaft.....	25	Tie Rod End.....	49	Wire Set.....	111
Separator-Emission Control.....	85	Timing Chain.....	9	Wiring Harness.....	127, 129
Service Interval Counter.....	117	Timing Cover Seal.....	9, 11	Workshop Manual.....	169
Servo Tube-Gearbox.....	43	Timing Pointer.....	9	Wrench.....	167
Shield-Cooling.....	93	Timing Rotor.....	110	1st & 2nd Fork Selector.....	35
Shift Rod.....	43	Tonneau Cover.....	161	1st Gear.....	33
Shock Absorber.....	55	Tool Roll Pouch.....	167	3rd Gear.....	31, 33
Short Engine.....	3	Top Dash Panel.....	102	5th Gear.....	33
Side Marker Lamp.....	113	Torque Converter.....	37		
Solenoid Bracket.....	73	Touch-Up Paint.....	167		